



MANUFACTURING
ELECTRIFICATION
PRODUCT DEVELOPMENT
QUALITY
EXPERTISE
PROCUREMENT
LOGISTICS

SOLUTIONS PROVIDER

MECHANICAL AND ELECTRICAL DIVISION

A TRADITION OF EXCELLENCE
SINCE 1969

QUALITY
EXPERTISE
PROCUREMENT
LOGISTICS
MANUFACTURING
INTEGRATION
MENT

WORLD-CLASS SOLUTION PROVIDER

OUR MISSION

To innovate and to excel in power transmission in order to propel your projects.



HAVING TROUBLE LAUNCHING NEW PRODUCTS?

PRODUCT DEVELOPMENT

Launching new products is critical to your growth, competitiveness and visibility. Many challenges may impact your development of new products (i.e. lack of resources, too many projects, short schedule).

OUR SOLUTIONS

- Engineering expertise
- Customizable test bench
- Technical reports adapted to your needs
- Direct access to up to 2,000 partnerships in more than 70 countries
- Defined new product introduction process (stage gates)
- Validation and prototyping
- Cost reduction and optimization

Canimex is the perfect partner for your new products.



LIMITED TECHNICAL EXPERTISE?

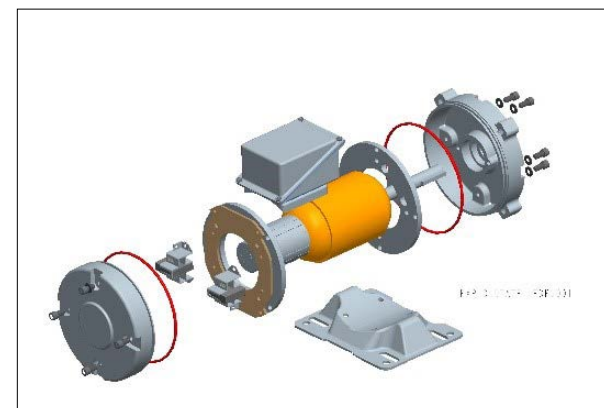
TECHNICAL EXPERTISE

Whether you are facing a shortage of engineers, a lack of expertise, an inability to find the technical solution or simply too many projects in progress, Canimex has the knowledge, experience and tools to help you.

OUR SOLUTIONS

- Complete engineering outsourcing
- Expert advice
- 3D prototyping and modelling
- On-site test bench, instrumentation on your site
- Reverse engineering services
- The latest technical 3D drawing and simulation software
- Project management
- Compliance with a variety of industry standards (CSA, UL, IEC, ASME, ANSI, AGMA, etc.)

Canimex can fulfill your engineering and technical support needs so you can focus on building your success.



SUPPLY CHAIN ISSUES?

LOGISTICS

Storage limits, high-cost of inventory, hard to implement just-in-time processes and lack of international logistics and customs clearance knowledge are major challenges impacting the operating costs.

OUR SOLUTIONS

- Storage locations across the world
- Internal customs clearance department offering complete services
- Supply services adapted to your needs
- Product release matching your production demands
- Solid network of partnerships specializing in sea, air, land and rail transport
- Customer service experts for your just-in-time needs
- Quality control

Canimex has the capabilities to ensure that your products will reach their destination on time.



LACKING PURCHASING POWER?

PROCUREMENT

High costs and lack of knowledge or negotiating power when purchasing from suppliers will impact your overall purchasing strategy and can increase your costs.

OUR SOLUTIONS

- Team located in North America and China
- Complete and well-established supply partners across the globe
- Storage capacity close to 2 million square feet
- Warehousing strategically located around the globe

Canimex can regroup all your purchasing needs and give you the opportunity to purchase higher volumes in order to significantly lower your costs. We offer a complete sourcing solution so you do not need to worry about managing multiple suppliers or quality and inventory costs. Dedicate yourself to your products and markets knowing that your supply chain is actively managed by a world-class organization.



LIMITED PRODUCTION CAPACITIES?

MANUFACTURING

Whether the limit is a lack of resources, or capacity floor space, Canimex can help you overcome it. We offer strong partnerships, subcontracting opportunities and efficient assembly lines.

OUR SOLUTIONS

- Assembly department on-site
- Solid partnerships across the industry
- International subcontracting
- In-house fields of expertise (mechanical, electrical, hydraulic, electronic, mechanically welded parts, aluminium die casting, machining, sheet metal transformation, laser cutting, robotized welding, etc.)

Canimex offers highly diversified and complementary services to help execute your projects from design to delivery.



DIFFICULTIES COMPLYING WITH QUALITY STANDARDS?

QUALITY

Inadequate quality controls, products not conforming to your standards and needs, or a bad purchasing experience are signs of challenge with quality standard compliance that can cause many complications in the future.

OUR SOLUTIONS

- Team dedicated to quality verification
- Strict standards complying with the highest criteria in the industry
- Team of quality inspectors, including on site at our suppliers in China
- Wide variety of precision measurement instruments
- Solid quality management system
- Technical support and after-sales service
- Certified ISO 9001 : 2015

Canimex is the best partner to guarantee that you will only receive the highest quality products no matter which suppliers you choose.



**DO YOU
WANT TO
GO GREEN?**

ELECTRIFICATION

Battery-powered vehicles offer many benefits over combustion engines: no emissions, silent operation, energy-efficient and low maintenance costs. However, selecting and integrating the right components for an optimized electric power train can be a challenging and time-consuming task. Whether it is for industrial equipment, construction, agricultural machinery, compact urban vehicles, or any other electrification projects, Canimex electrification team is your trusted partner.

OUR SOLUTIONS

- Exclusive partnerships in the electrification industry
- Solid technical expertise
- Project management team
- Testing capabilities
- High quality standards

Vehicle electrification is a new trend but the future standard. Canimex can help you get there first. Our complete solutions include transaxles, wheel drives, electric motors, controllers with basic programming, and other accessories. Working with renowned global component manufacturers, our electrical engineering team can design the most reliable and customized solutions dedicated to your applications. As a partner and a solution provider, we will support you from A to Z in the electrification of your equipment. Get started by contacting us.



**We develop your solutions.
We are THE solution provider.**

Canimex Group in brief

50

Over 50 YEARS of partnership and innovation

7

7 business UNITS

800

Over 800 qualified and dedicated employees

70

A world leader with a presence in more than 70 COUNTRIES

1,600,000

Production and warehousing facilities in Drummondville totalling more than 1,600,000 SQUARE FEET

1969

A tradition of excellence SINCE 1969

285, Saint-Georges, Drummondville (Québec) Canada J2C 4H3
1-855-777-1335



canimex.com |   