

FILETTATURE

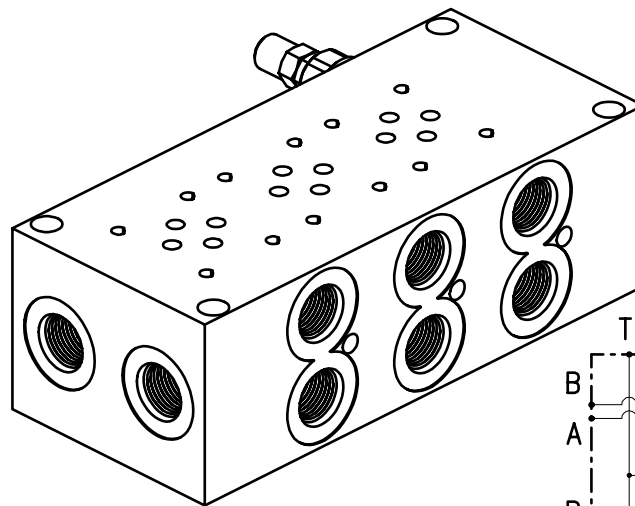
P-T=SAE 10

A-B=SAE 8

MATERIALE

CORPO: Alluminio

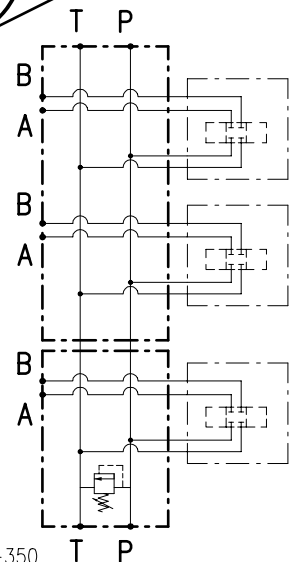
PART. INTERNI: Acciaio Cmt-Tmp-Rett



TIPO	A	B
PBLD03P/2/VMP	135	155
PBLD03P/3/VMP	185	205
PBLD03P/4/VMP	235	255
PBLD03P/5/VMP	285	305
PBLD03P/6/VMP	335	355
PBLD03P/7/VMP	385	405
PBLD03P/8/VMP	435	455
PBLD03P/9/VMP	485	505
PBLD03P/10/VMP	535	555

Pressione max = 350 Bar

Molle: Bianca 0-40 Verde 20-80 Blu 50-220 Rossa 180-350



N° R.S.	Approvazione	Disegnatore	Data	I.R.
-	B.G.	L.B.	12/5/00	1