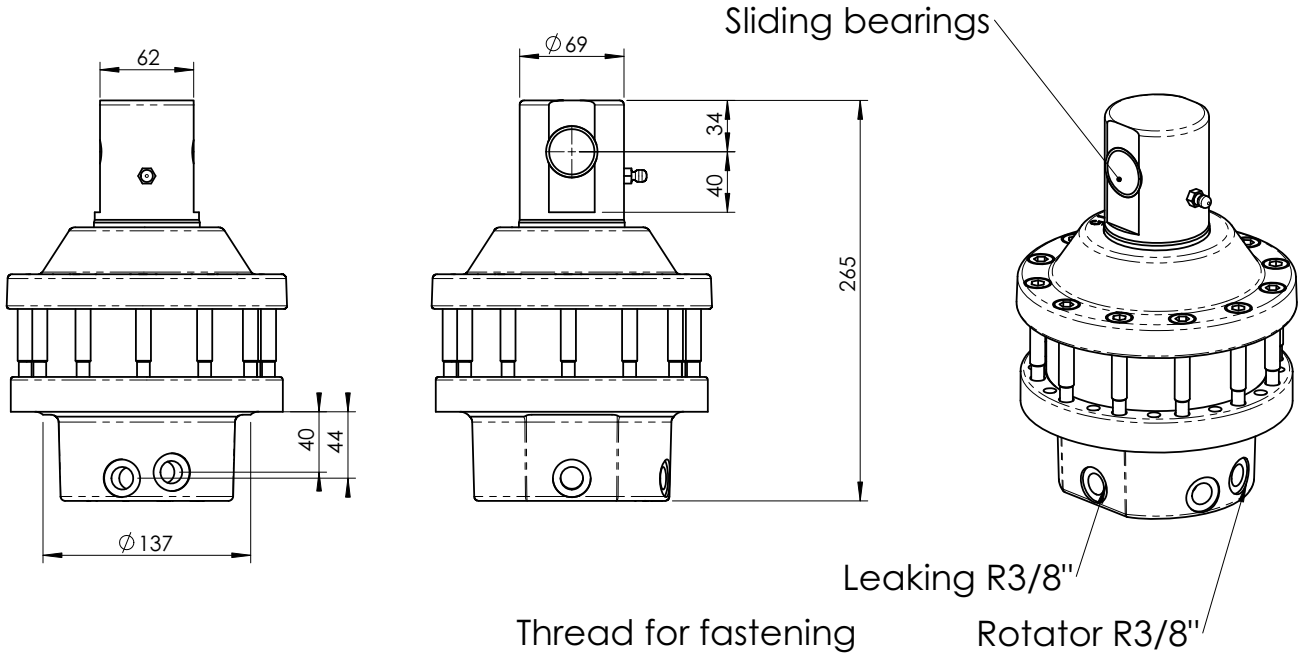
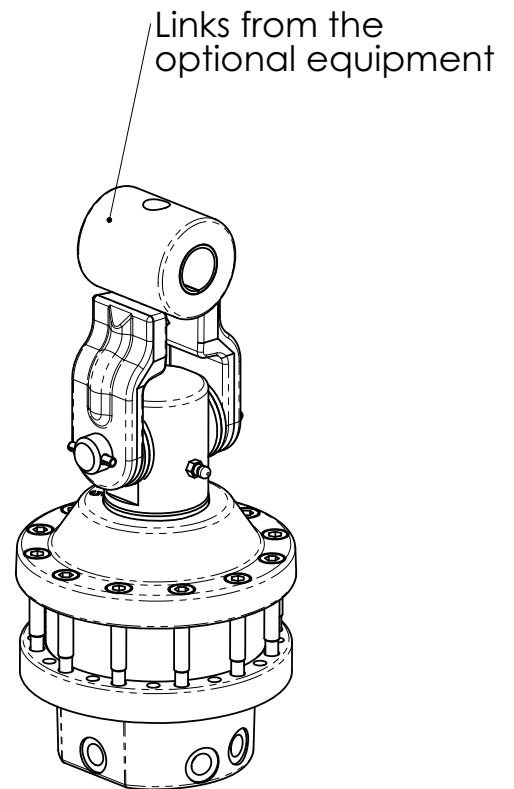
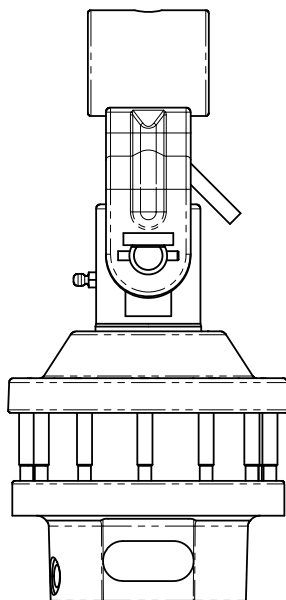
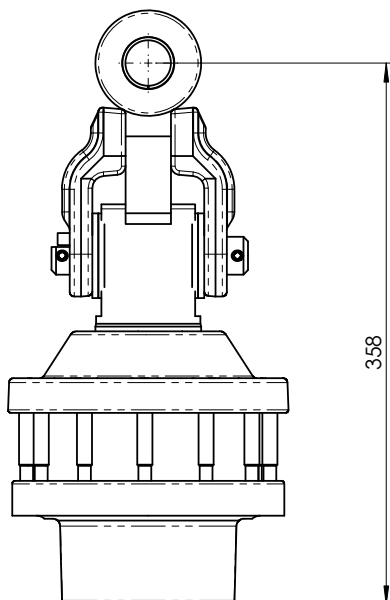
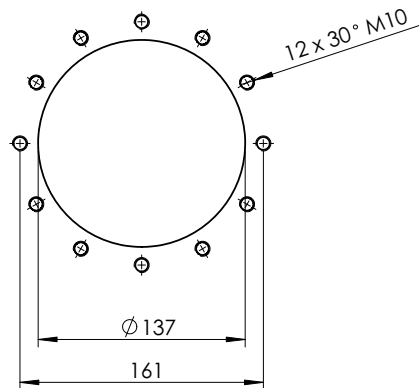


ROTATORS FR 15 M



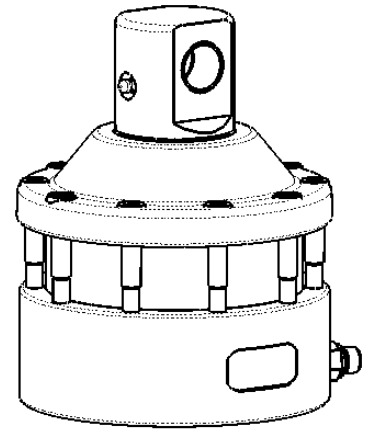
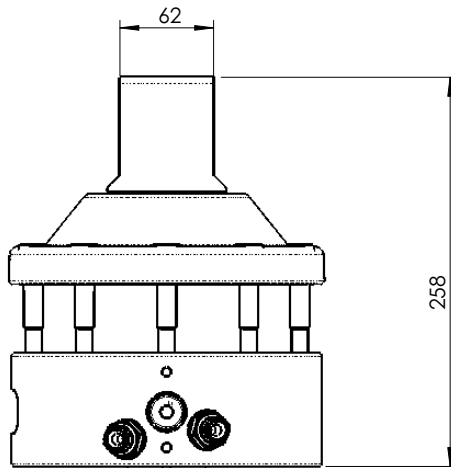
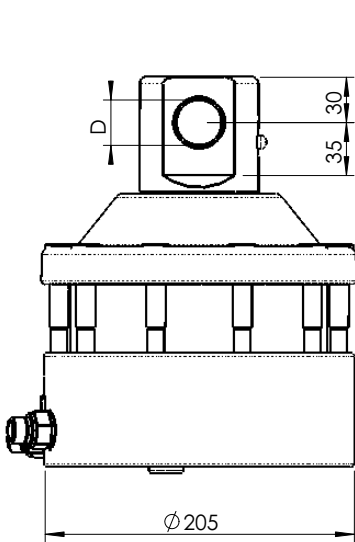
FR 15 model M
Rotator for harvester head

FR15 model M	
Rotation angle	unlimited
Max. working pressure	200 bar
Displacement	464 cm ³
Torque (200bar)	1150 Nm
Max. axial force	82 kN
Safe working load	5500 kg
Weight	22 kg



Basic models			
Item	Name	Direction	D
11549	FR 15 M		30

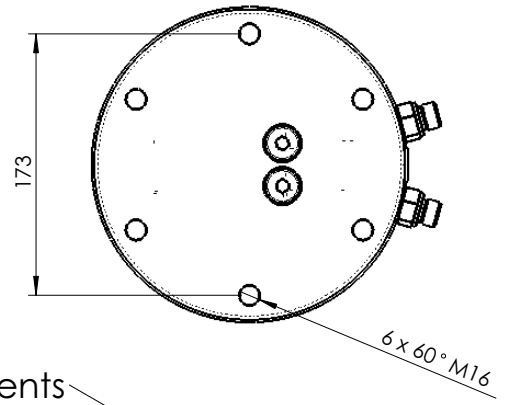
ROTATORS FR 21 M



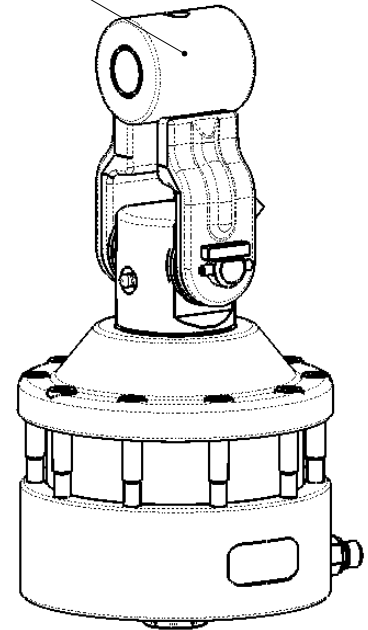
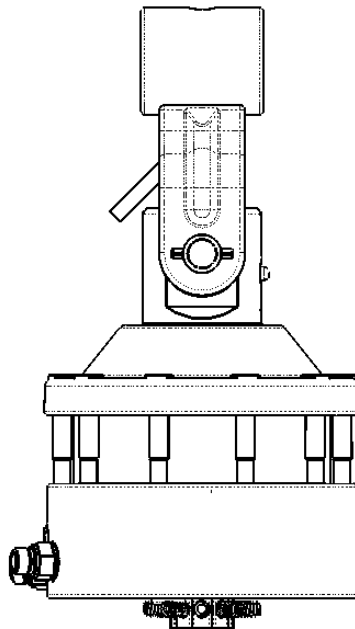
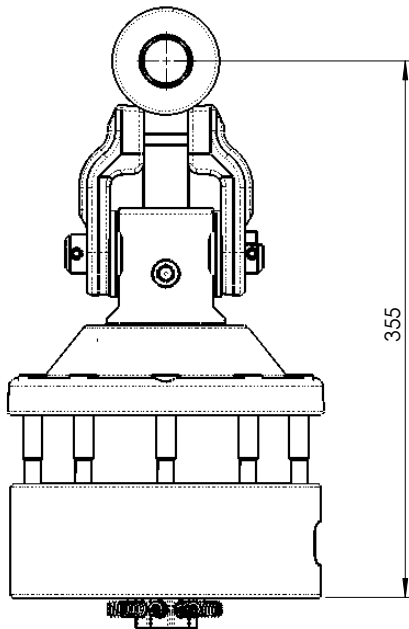
Thread for fastening

FR 21 model M	
Rotator for harvester head	

FR 21 model M	
Rotation angle	unlimited
Max. working pressure	200 bar
Displacement	543 cm ³
Torque (200bar)	1350 Nm
Max. axial force	112 kN
Safe working load	7500 kg
Weight	27 kg

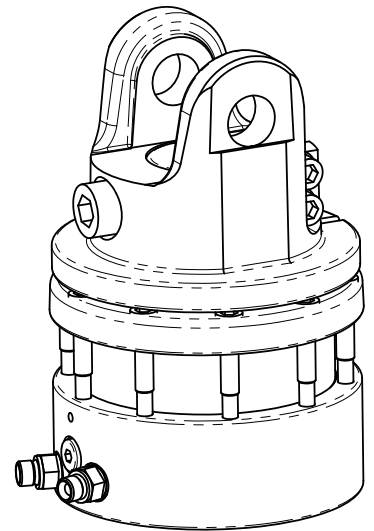
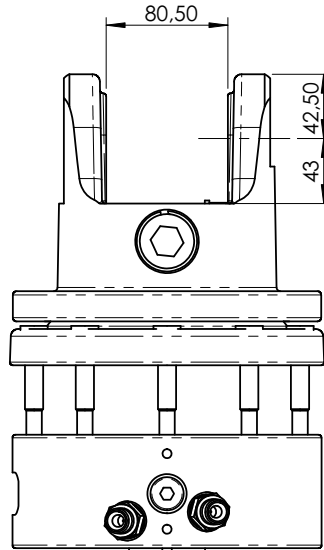
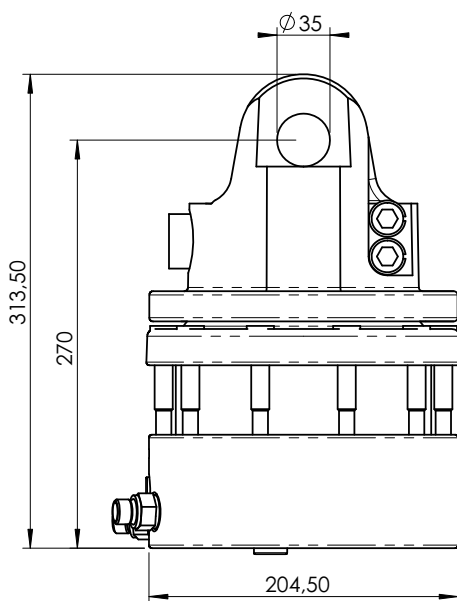


Links from the optional equipments



Basic models			
Item	Name	Direction	D
11549	FR 21 M		30

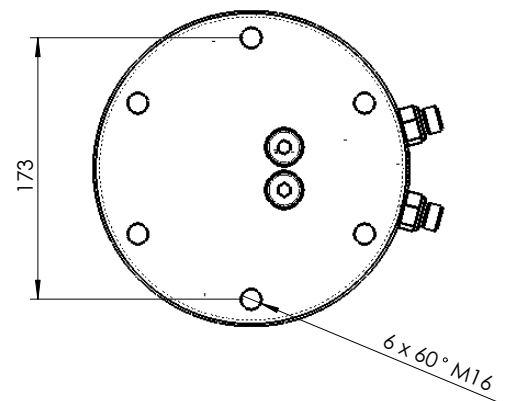
ROTATORS FR 21 MF



FR 21 model MF
Rotator for harvester head

FR 21 model MF	
Rotation angle	unlimited
Max. working pressure	200 bar
Displacement	543 cm ³
Torque (200bar)	1350 Nm
Max. axial force	112 kN
Safe working load	7500 kg
Weight	43 kg

Thread for fastening



Basic models			
Item	Name	Direction	D
12131	FR 21 MF		35