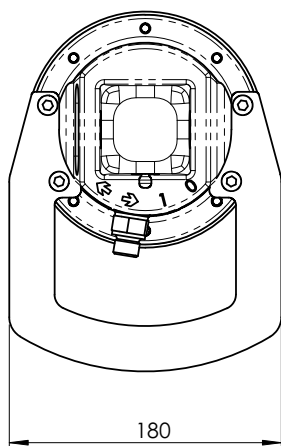
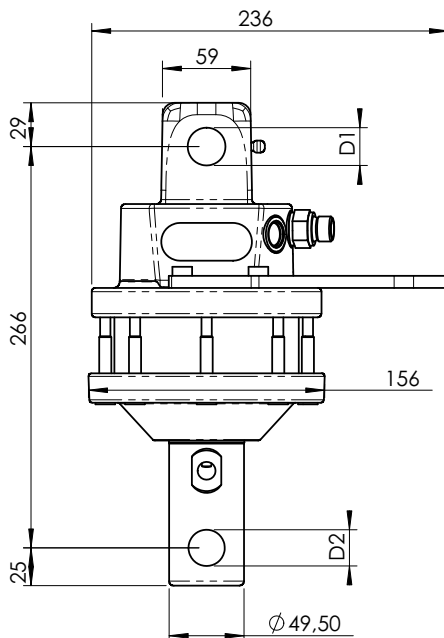
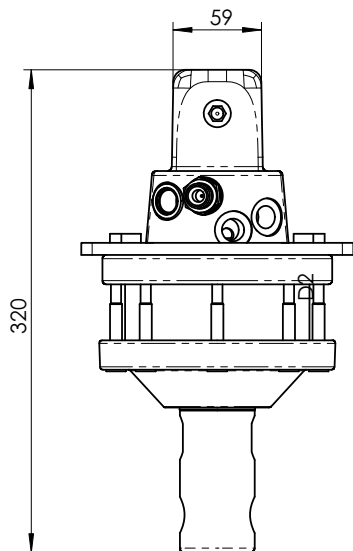


# ROTATORS FR 7.4 e



Direction of drilling

Direction X

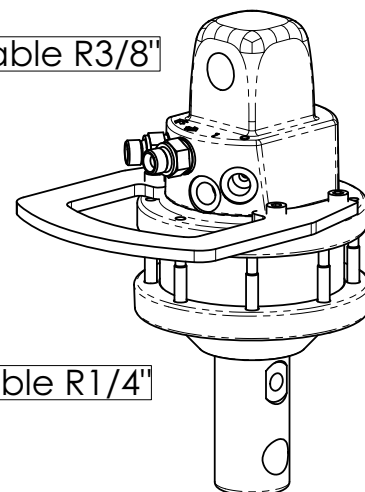
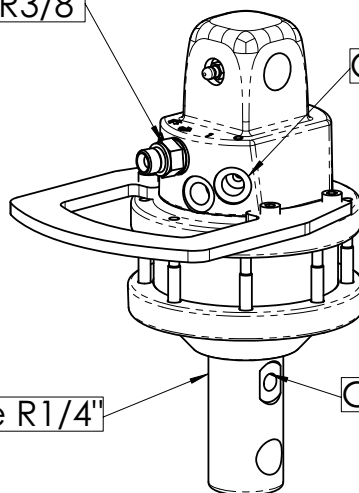
Direction W

Rotator R3/8"

Grable R3/8"

Grable R1/4"

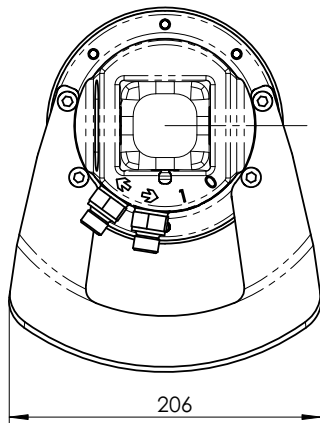
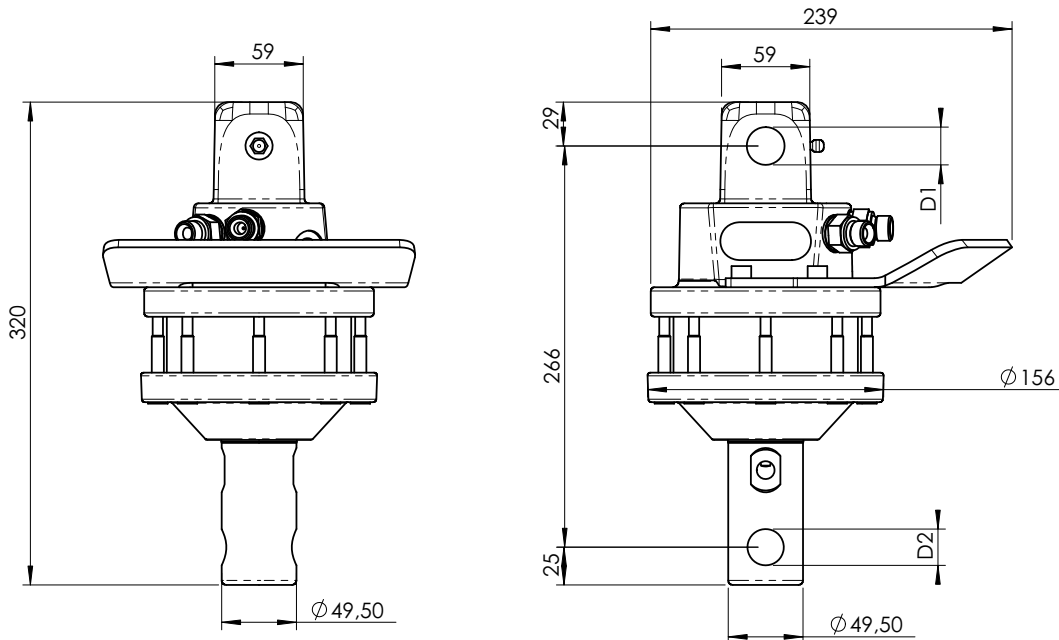
Grable R1/4"



FR 7.4	
Rotation angle	unlimited
Max. working pressure	200 bar
Displacement	310 cm <sup>3</sup>
Torque (200bar)	780 Nm
Max. axial force	30 kN
Safe working load	2000 kg
Weight	16 kg

Basic models				
Item	Name	Direction	D1	D2
17070	FR 7.4e-X24A24	X	24	24
17082	FR 7.4e-W25A25	W	25	25
17090	FR 7.4e-X1A1	X	1"	1"
17091	FR 7.4e-W1A1	W	1"	1"

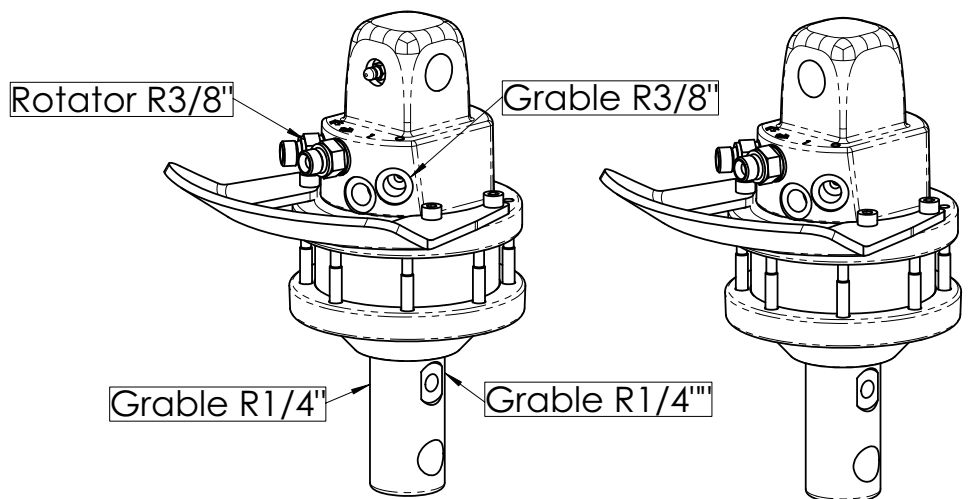
# ROTATORS FR 7 - model A



Direction of drilling

Direction X

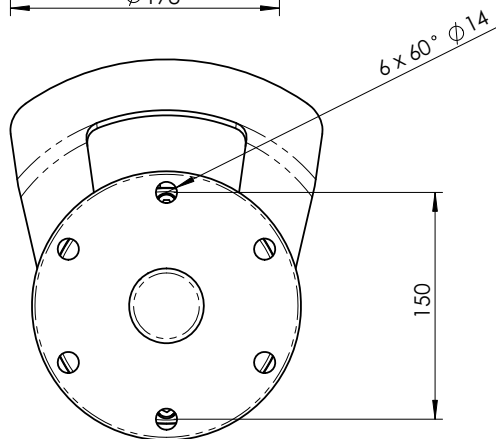
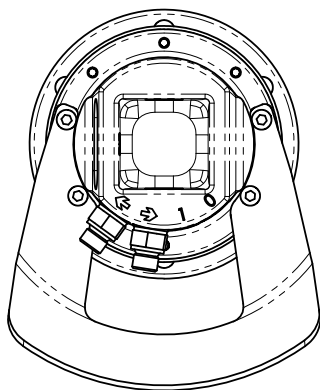
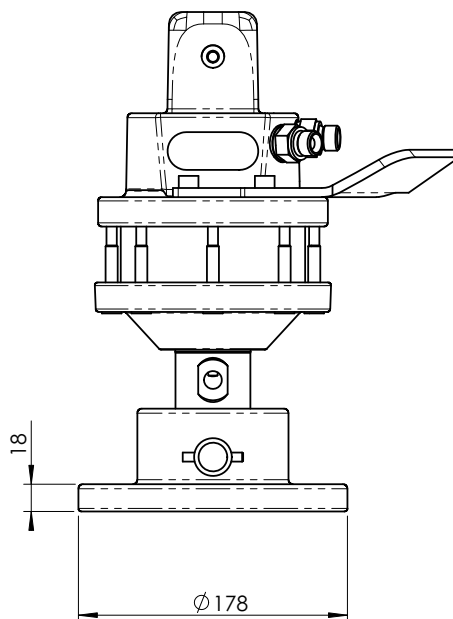
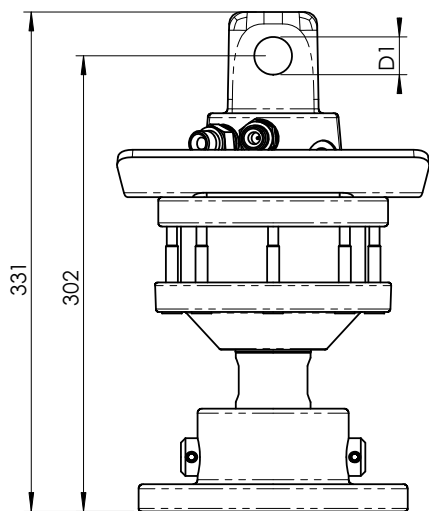
Direction W



FR 7	
Rotation angle	unlimited
Max. working pressure	200 bar
Displacement	310 cm <sup>3</sup>
Torque (200bar)	780 Nm
Max. axial force	30 kN
Safe working load	2000 kg
Weight	16 kg

Basic models				
Item	Name	Direction	D1	D2
17020	FR 7-X24A24	X	24	24
17025	FR 7-X25A24	X	25	24
17030	FR 7-X25A25	X	25	25
17032	FR 7-W25A25	W	25	25
17037	FR 7-W26A26	W	26	26

# ROTATORS FR 7 - model B



Rotator R3/8"

Grable R3/8"

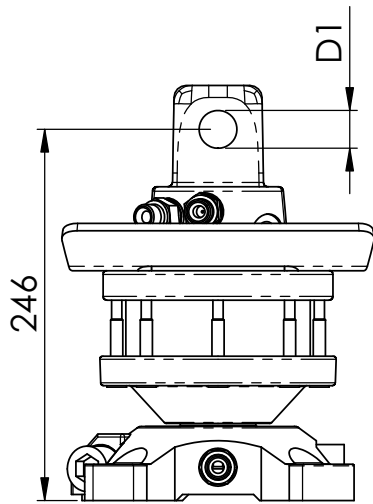
Grable R3/8"

Grable R3/8"

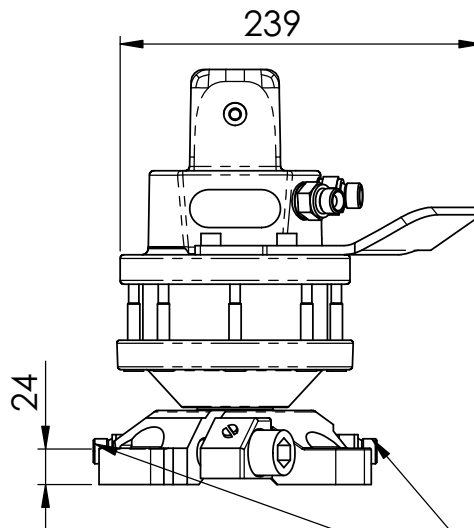
FR 7 Model B	
Rotation angle	unlimited
Max. working pressure	200 bar
Displacement	310 cm <sup>3</sup>
Torque (200bar)	780 Nm
Max. axial force	30 kN
Safe working load	2000 kg
Weight	22 kg

Basic models				
Item	Name	Direction	D1	Flange
17033	FR 7-W25B25	W	25	150

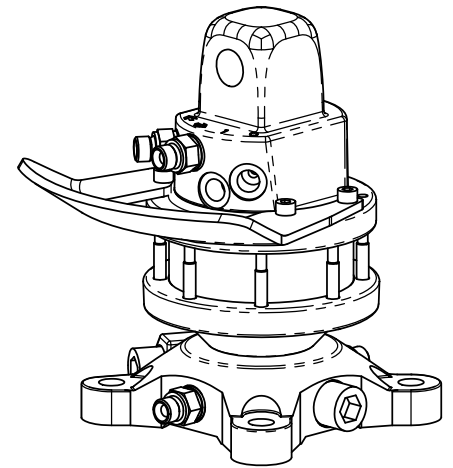
# ROTATORS FR 7 FA



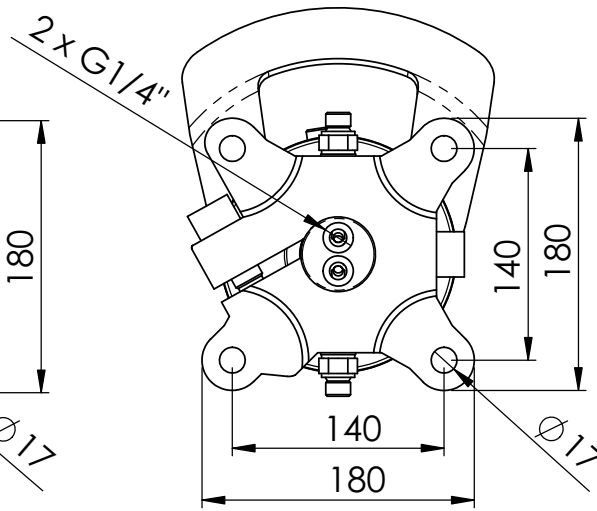
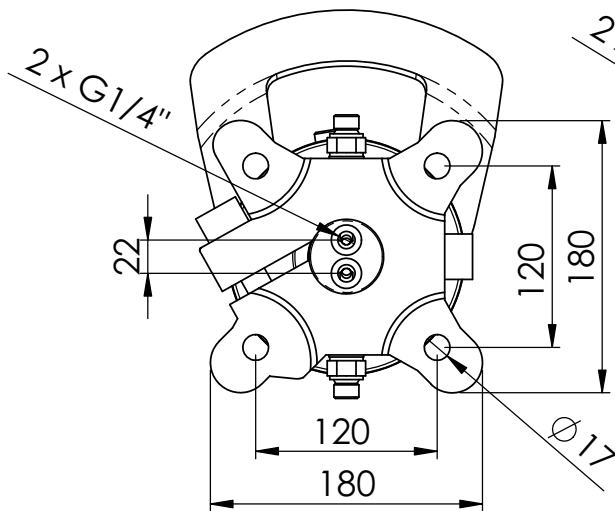
FR 7 FA120X120



FR 7 FA140X140



2 x G3/8"



FR 7 model FA	
Rotation angle	unlimited
Max. working pressure	200 bar
Displacement	310 cm <sup>3</sup>
Torque (200bar)	780 Nm
Max. axial force	30 kN
Safe working load	2000 kg
Weight	20 kg

Basic models				
Item	Name	Direction	D1	FLANGE
17038	FR 7-X24FA120X120	X	24	120x120
17039	FR 7-X25FA140X140	X	25	140x140
17040	FR 7-W25FA120X120	W	25	120x120
17041	FR 7-W25FA140X140	W	25	140x140