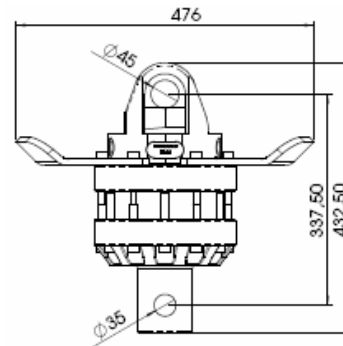
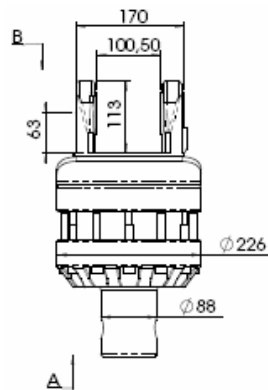
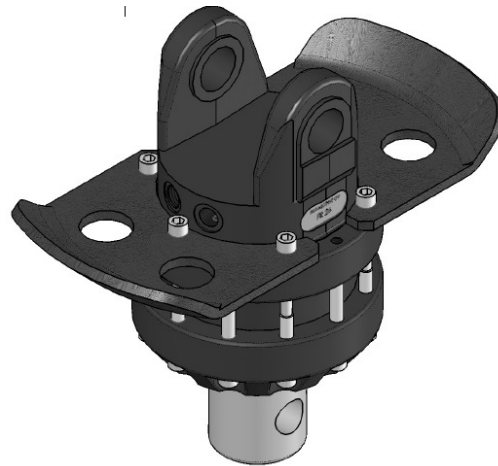


# ROTATOR FR 26-X45A

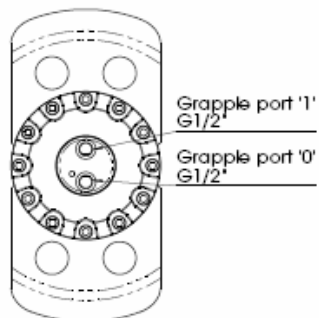
## Instruction manual

### Operating data

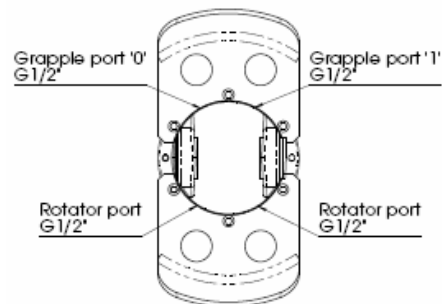
Rotation angle	unlimited
Max pressure	200 bar
Displacement	883 cm <sup>3</sup>
Torque (200 bar)	2200 Nm
Max axial force	150 kN
Safe working load	10 000 kg
Weight	58 kg



Katselusuunta A  
Direction A



Katselusuunta B  
Direction B

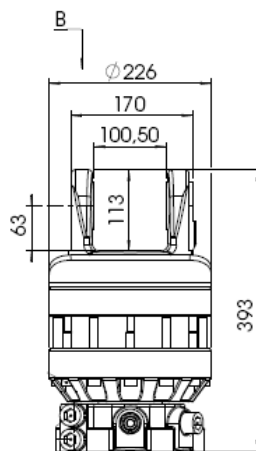
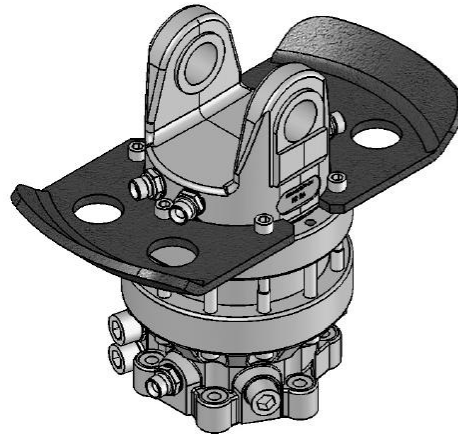


# ROTATOR FR 26-X45F173

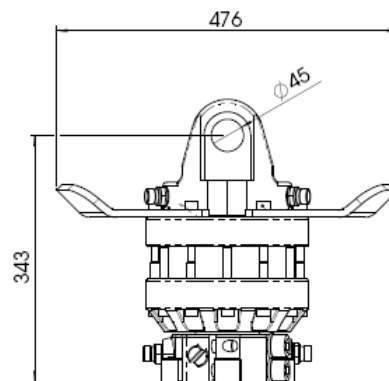
## Instruction manual

### Operating data

Rotation angle	unlimited
Max pressure	200 bar
Displacement	883 cm <sup>3</sup>
Torque (200 bar)	2200 Nm
Max axial force	130 kN
Safe working load	10 000 kg
Weight	65 kg



Katselusuunta A  
Direction A



Katselusuunta B  
Direction B

