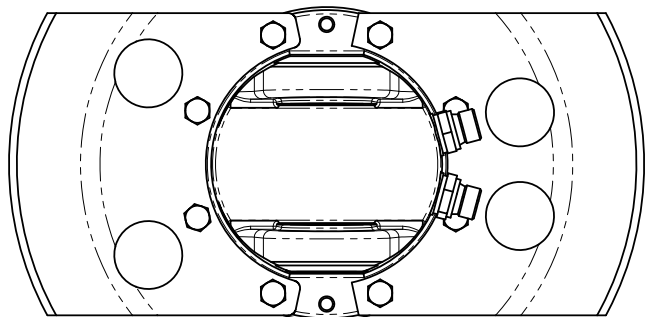
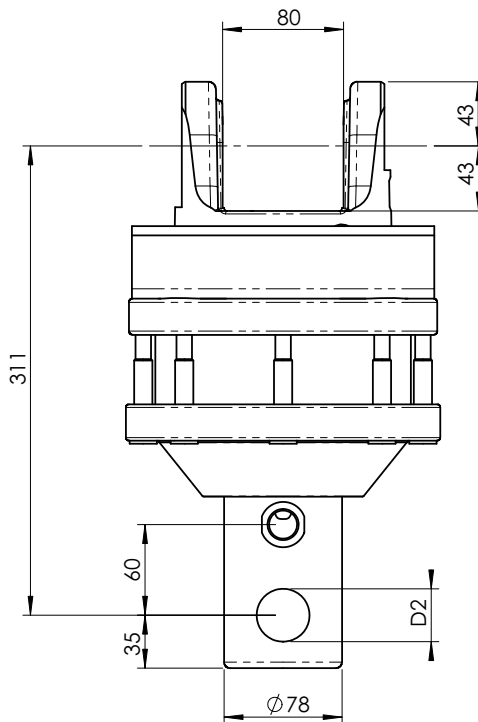
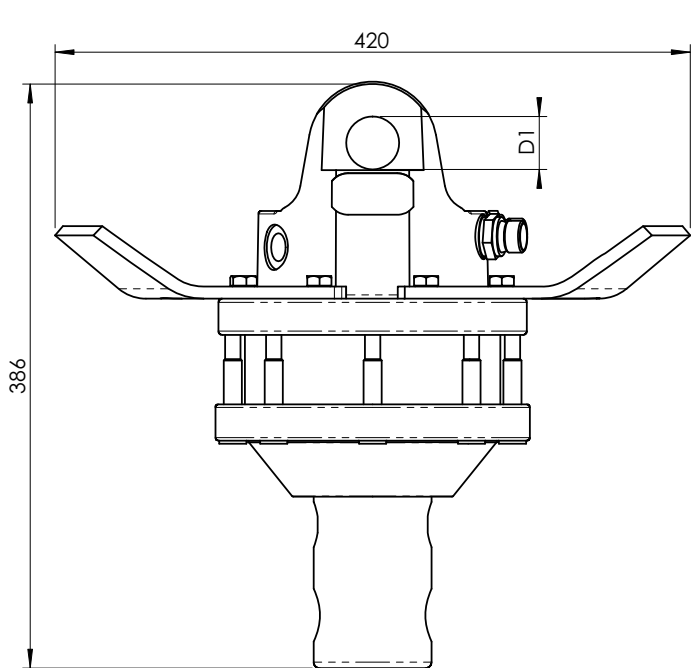


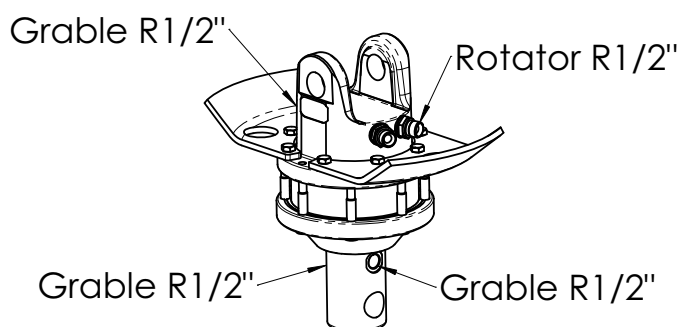
ROTATORS FR 21 - model A



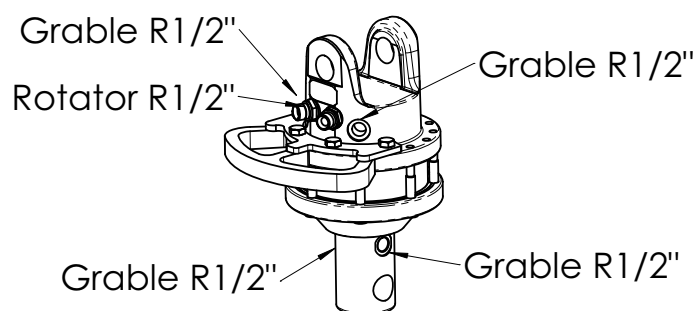
FR 21 model A	
Rotation angle	unlimited
Max. working pressure	200 bar
Displacement	543 cm ³
Torque (200bar)	1350 Nm
Max. axial force	112 kN
Safe working load	7500 kg
Weight	39 kg

Direction of drilling

Direction X

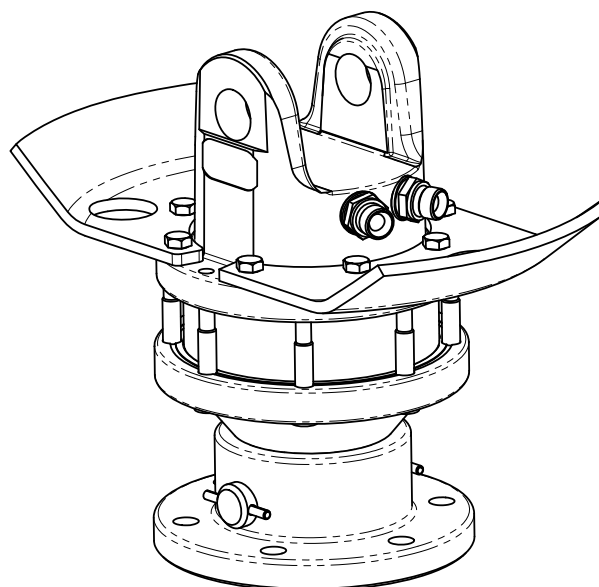
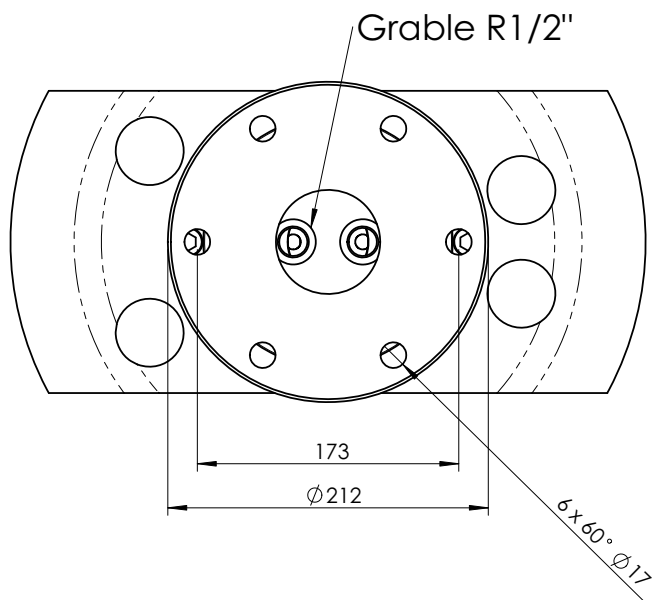
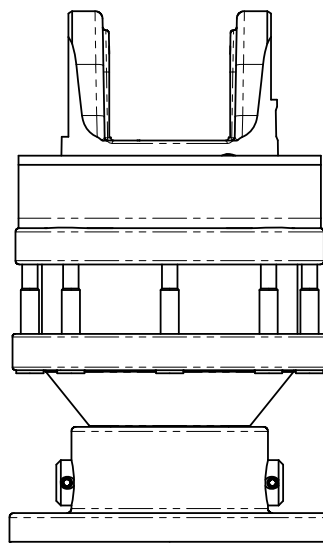
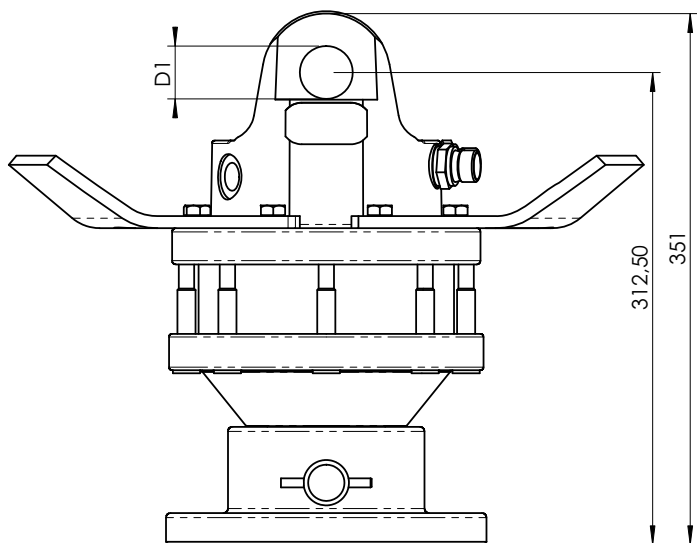


Direction W



Basic models				
Item	Name	Direction	D1	D2
12101	FR 21-X35A35	X	35	35
12103	FR 21-W35A35	W	35	35

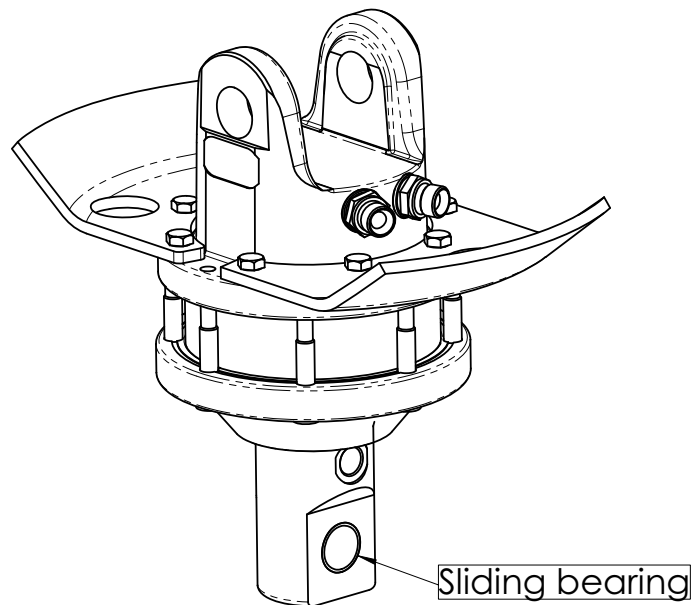
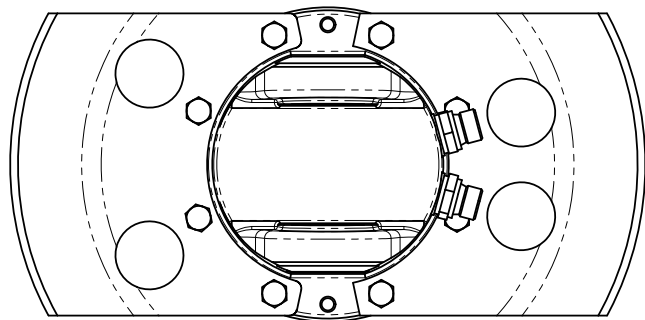
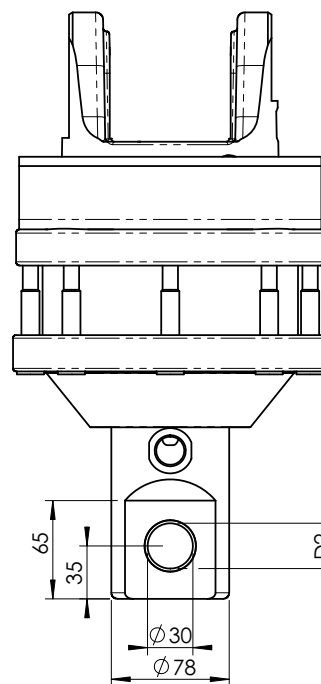
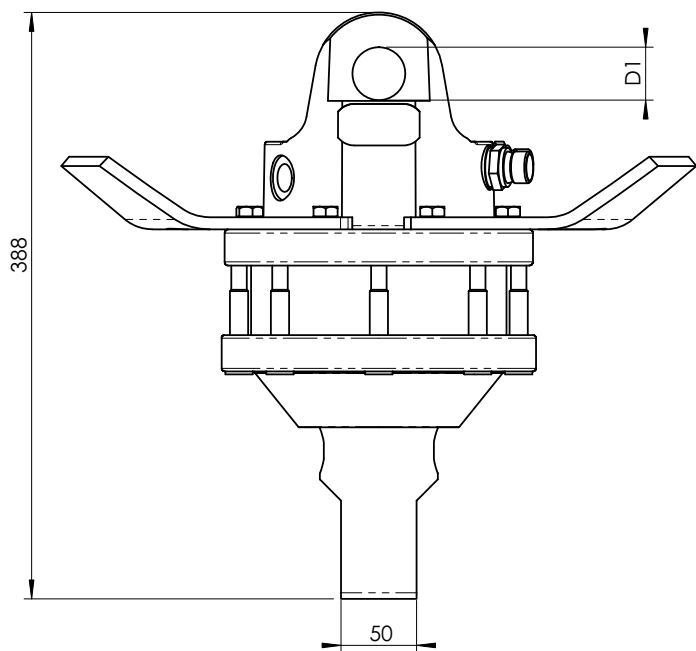
ROTATORS FR 21 - model B



FR 21 model B	
Rotation angle	unlimited
Max. working pressure	200 bar
Displacement	543 cm ³
Torque (200bar)	1350 Nm
Max. axial force	112 kN
Safe working load	7500 kg
Weight	45 kg

Basic models				
Item	Name	Direction	D1	Flange
12102	FR 21-X35B30	X	35	175
12104	FR 21-W35B30	W	35	175

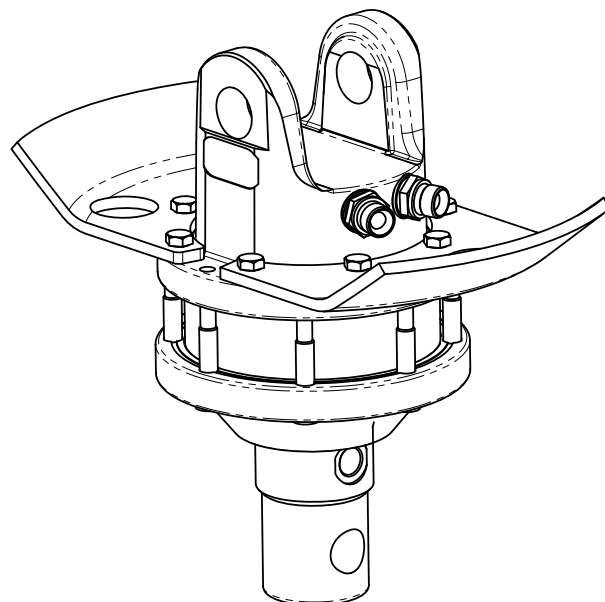
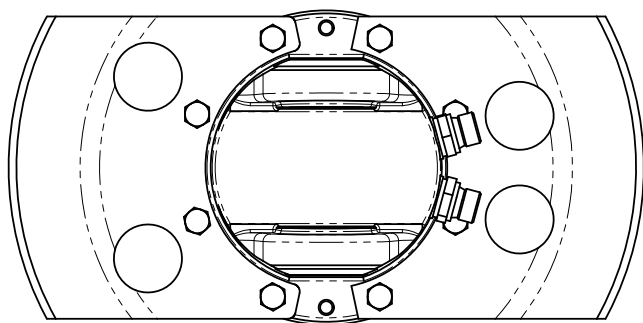
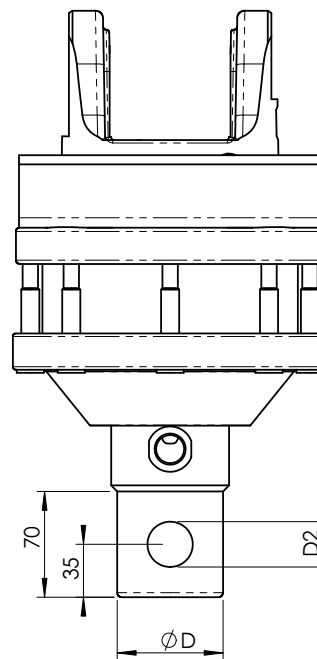
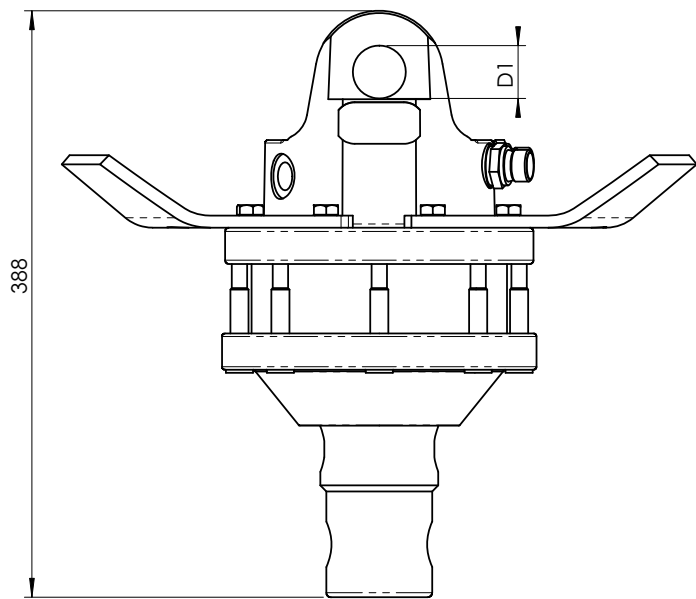
ROTATORS FR 21 - model T50



FR 21 model T50	
Rotation angle	unlimited
Max. working pressure	200 bar
Displacement	543 cm ³
Torque (200bar)	1350 Nm
Max. axial force	112 kN
Safe working load	7500 kg
Weight	39 kg

Basic models				
Item	Name	Direction	D1	D2
12107	FR 21-X35A30T50	X	35	30
12108	FR 21-W35A30T50	W	35	30

ROTATORS FR 21 - model D69 and D70



FR 21 model D69	
Rotation angle	unlimited
Max. working pressure	200 bar
Displacement	543 cm ³
Torque (200bar)	1350 Nm
Max. axial force	112 kN
Safe working load	7500 kg
Weight	39 kg

Basic models					
Item	Name	Direction	D	D1	D2
12117	FR 21-X35A30D69	X	69	35	30
12118	FR 21-W35A30D69	W	69	35	30
12119	FR 21-X35A30D70	X	70	35	30
12120	FR 21-W35A30D70	W	70	35	30