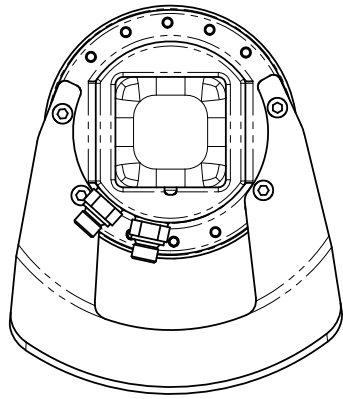
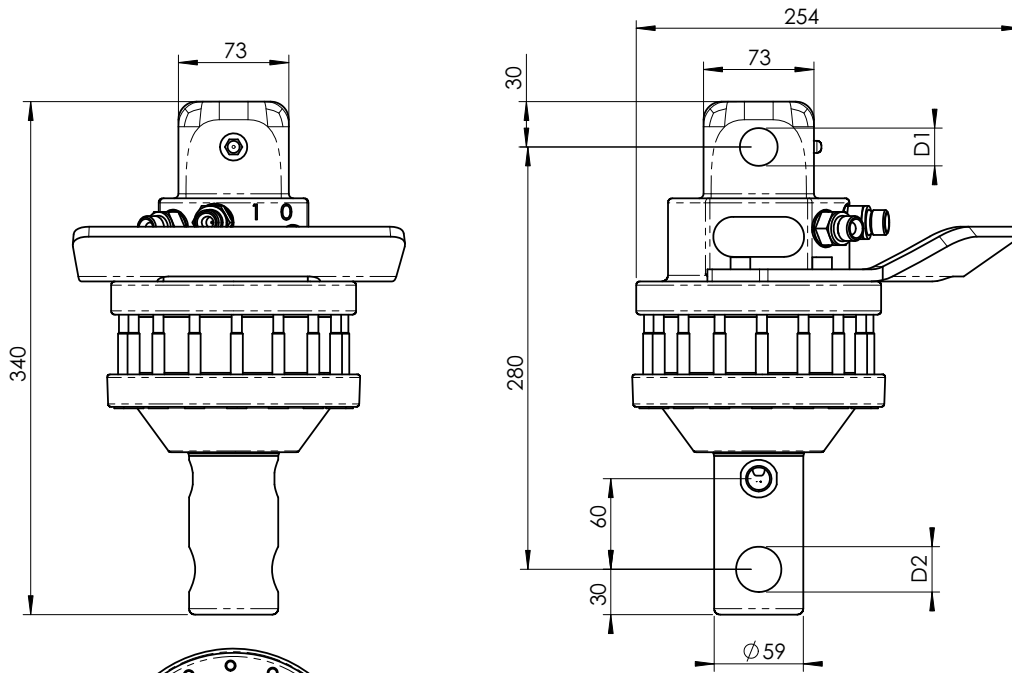
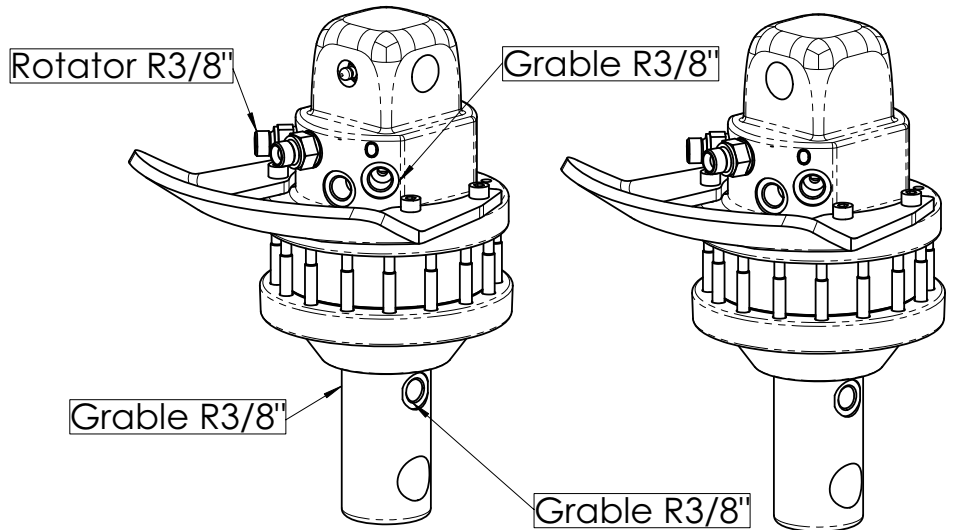


ROTATORS FR 10 - model A



Direction of drilling
Direction X

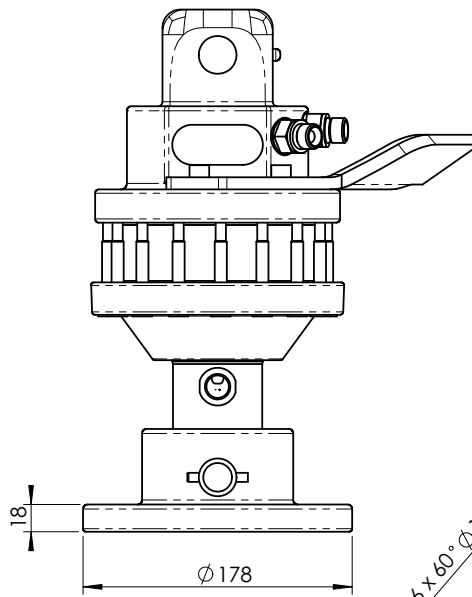
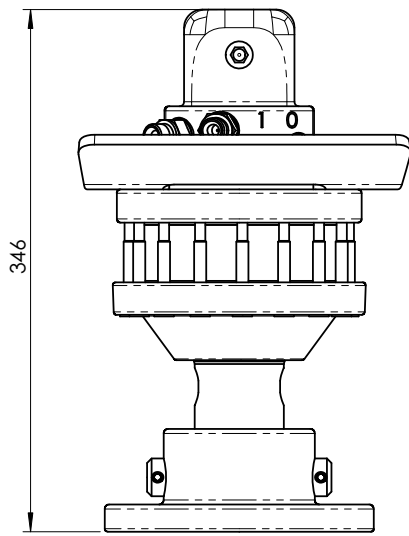
Direction W



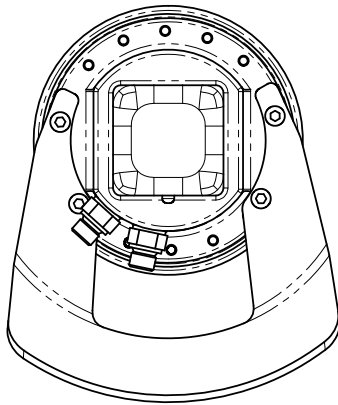
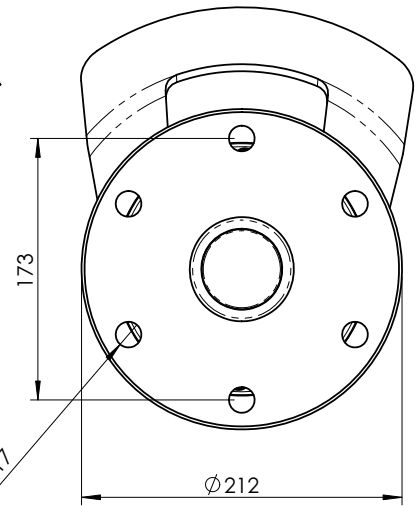
FR10	
Rotation angle	unlimited
Max. working pressure	200 bar
Displacement	420cm ³
Torque (200bar)	1000 Nm
Max. axial force	60 kN
Safe working load	4000 kg
Weight	20 kg

Basic models				
Item	Name	Direction	D1	D2
11020	FR 10-X25A25	X	25	25
11022	FR 10-W25A25	W	25	25
11025	FR 10-X25A30	X	25	30
11027	FR 10-W25A30	W	25	30
11037	FR 10-W26A26	W	26	26
11039	FR 10-X30A30	X	30	30
11025	FR 10-X25A30	X	25	30
11040	FR 10-W30A30	W	30	30
11041	FR 10-W26A30	W	26	30

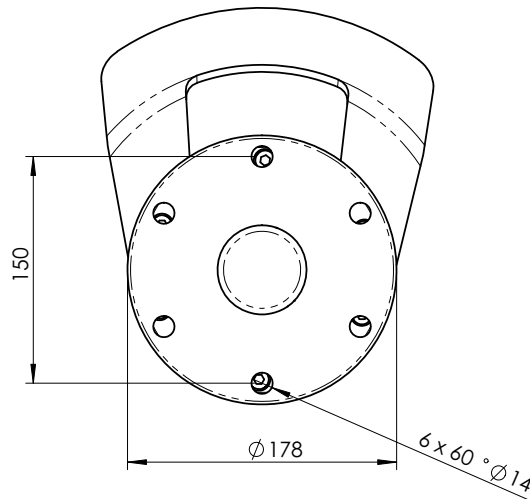
ROTATORS FR 10 - model B



Model (B173)



Model B



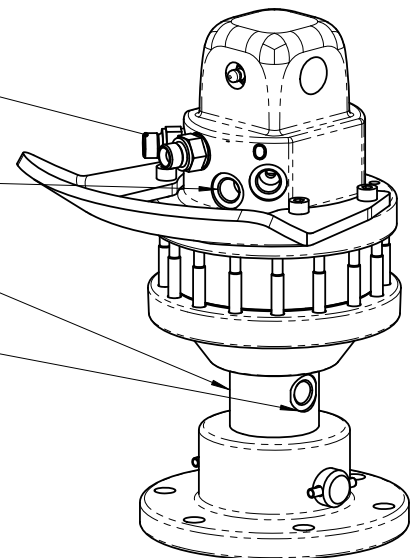
FR10 Model B	
Rotation angle	unlimited
Max. working pressure	200 bar
Displacement	420cm ³
Torque (200bar)	1000 Nm
Max. axial force	60 kN
Safe working load	4000 kg
Weight	25 kg

Rotator R3/8"

Grable R3/8"

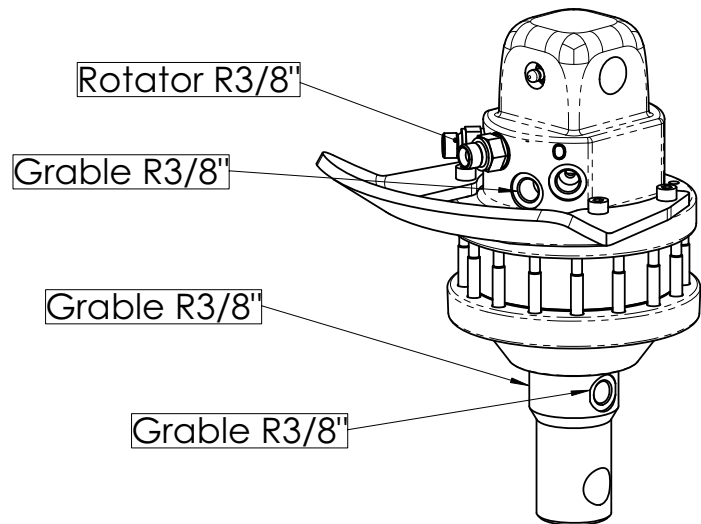
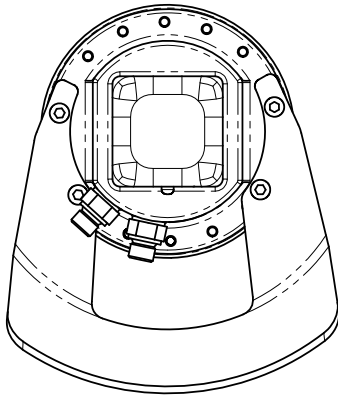
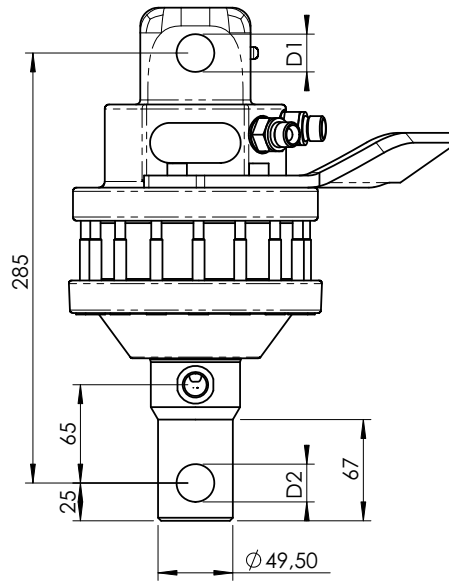
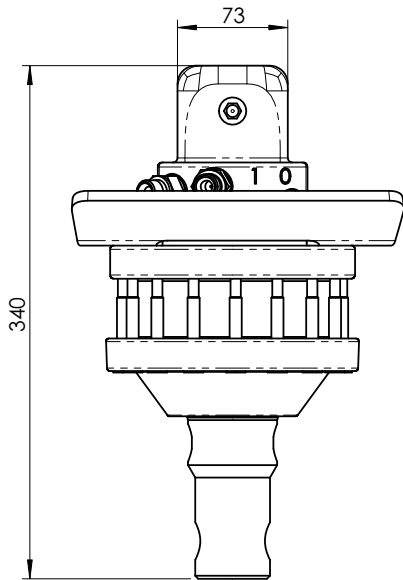
Grable R3/8"

Grable R3/8"



Basic models				
Item	Name	Direction	D1	Flange
11026	FR 10-X25B30	X	25	150
11028	FR 10-W25B30	W	25	150
11034	FR 10-X25(B173)30	X	25	173
11035	FR 10-W25(B173)30	W	25	173

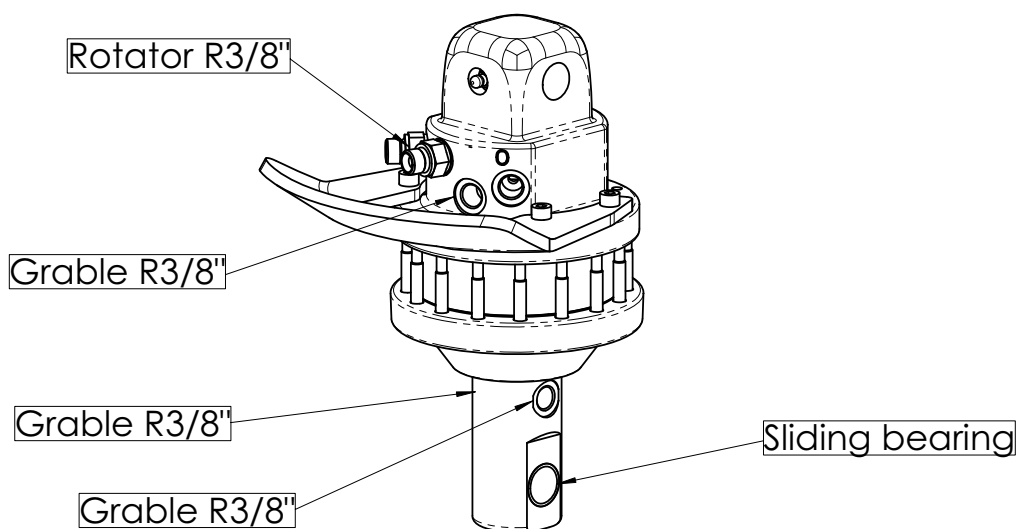
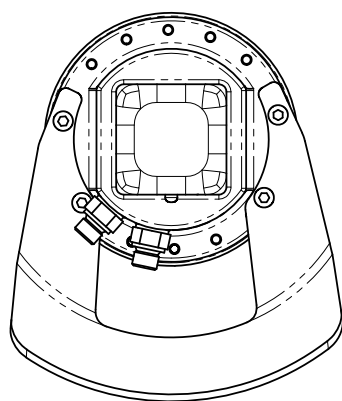
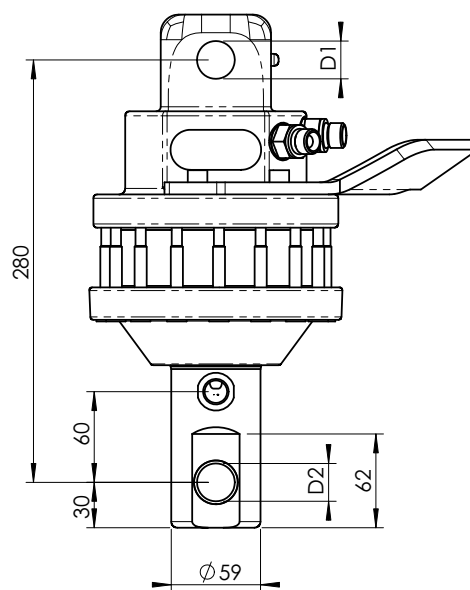
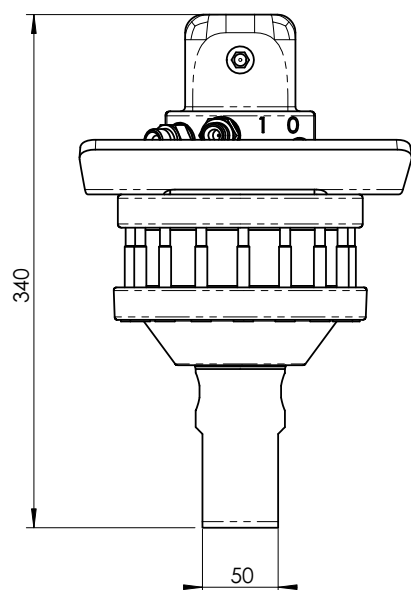
ROTATORS FR 10 - model D49,5



FR10 Model D49,5	
Rotation angle	unlimited
Max. working pressure	200 bar
Displacement	420cm ³
Torque (200bar)	1000 Nm
Max. axial force	60 kN
Safe working load	4000 kg
Weight	20 kg

Basic models				
Item	Name	Direction	D1	D2
11009	FR 10-X25A25D49,5	X	25	25
11010	FR 10-W25A25D49,5	W	25	25

ROTATORS FR 10 - model T50

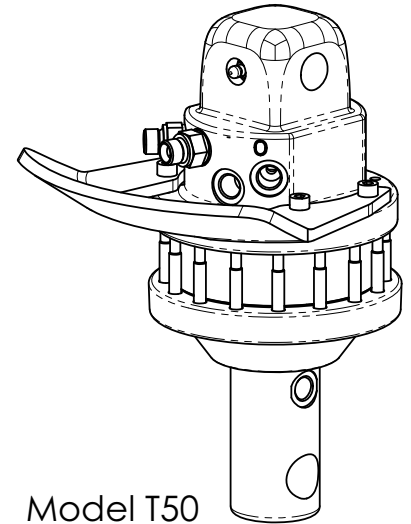
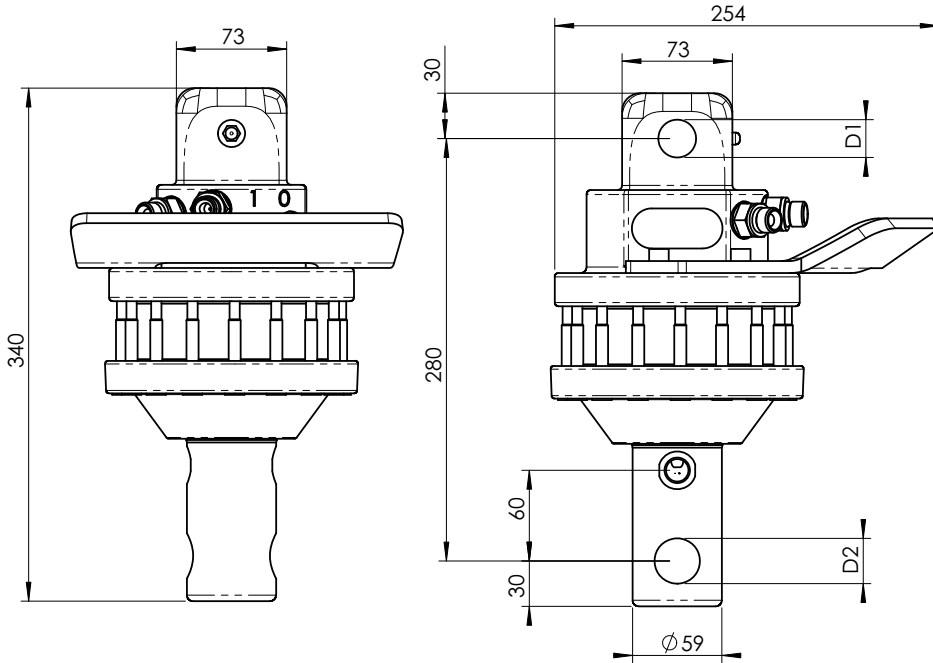


FR10 Model T50	
Rotation angle	unlimited
Max. working pressure	200 bar
Displacement	420cm ³
Torque (200bar)	1000 Nm
Max. axial force	60 kN
Safe working load	4000 kg
Weight	20 kg

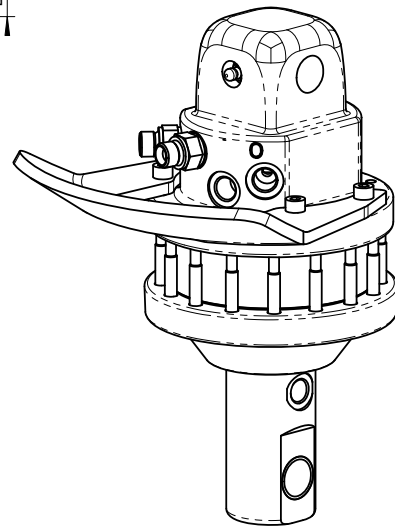
Basic models				
Item	Name	Direction	D1	D2
11030	FR 10-X25A25T50	X	25	25
11031	FR 10-W25A25T50	W	25	25

ROTATORS FR 10.7

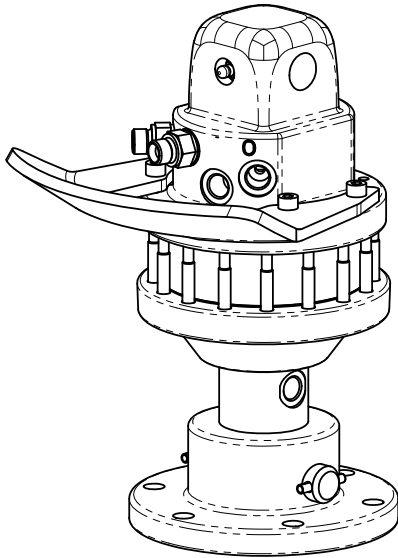
Model A



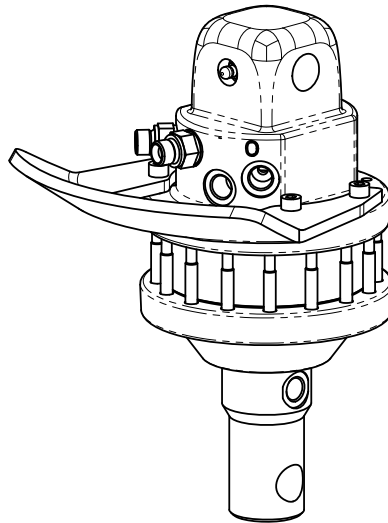
Model T50



Model B



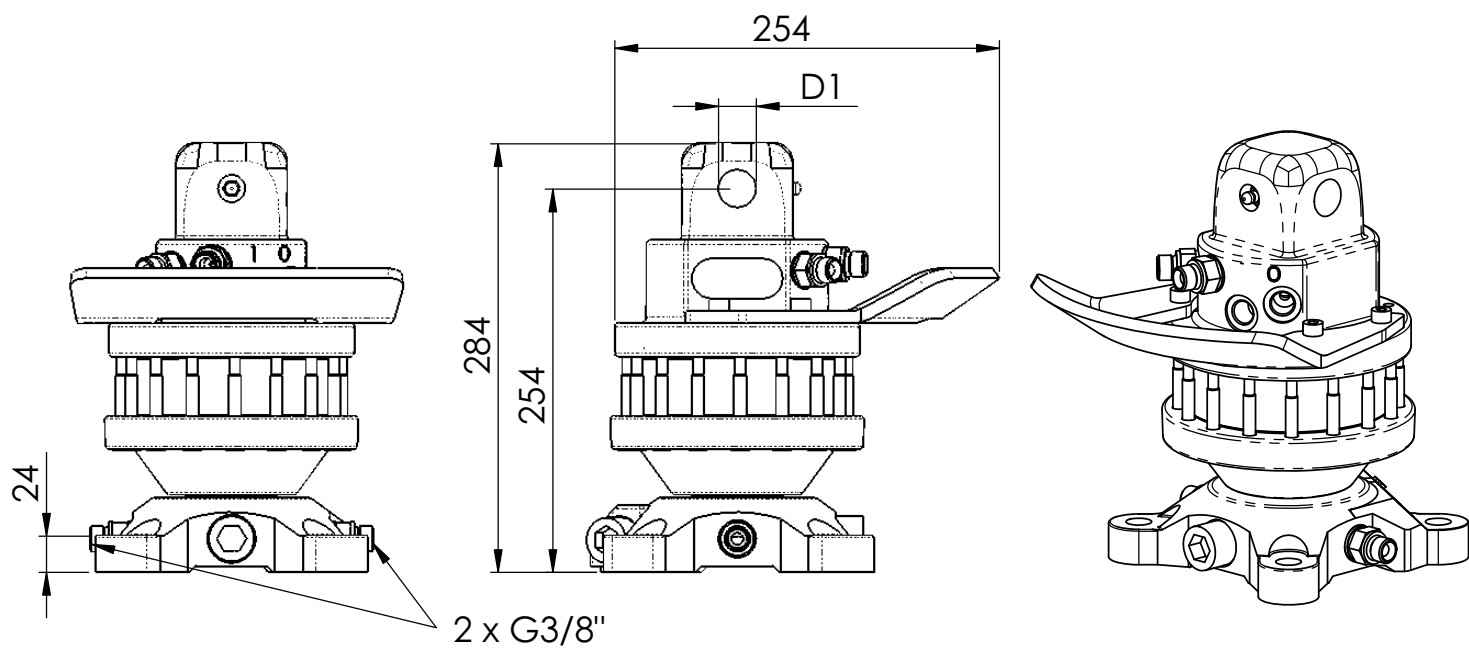
Model D49,5



FR10.7	
Rotation angle	unlimited
Max. working pressure	200 bar
Displacement	420cm ³
Torque (200bar)	1000 Nm
Max. axial force	60 kN
Safe working load	4000 kg
Weight	20 kg

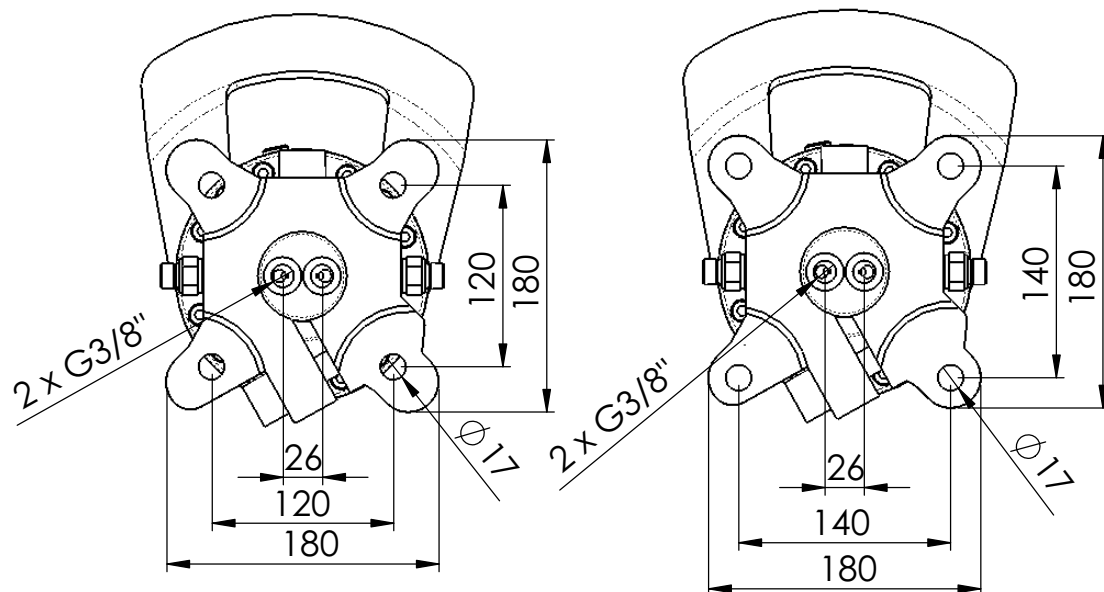
Basic models					
Item	Name	Direction	D1	D2	Flange
11050	FR 10.7-X25A25D49,5	X	25	25	
11051	FR 10.7-X25B25D49,5	X	25		150
11052	FR 10.7-W25A25D49,5	W	25	25	
11053	FR 10.7-W25B25D49,5	W	25		150
11055	FR 10.7-X25A30	X	25	30	
11056	FR 10.7-X25B30	X	25		150
11057	FR 10.7-W25A30	W	25	30	
11058	FR 10.7-W25B30	W	25		150
11063	FR 10.7-X25A25T50	W	25	25	

ROTATORS FR 10 FA



FR 10 FA 120x120

FR 10 FA 140x140



FR10 Model FA	
Rotation angle	unlimited
Max. working pressure	200 bar
Displacement	420cm ³
Torque (200bar)	1000 Nm
Max. axial force	60 kN
Safe working load	4000 kg
Weight	24 kg

Basic models				
Item	Name	Direction	D1	FLANGE
11070	FR 10-X25FA120X120	X	25	120x120
11071	FR 10-X25FA140X140	X	25	140x140
11072	FR 10-W25FA120X120	W	25	120x120
11073	FR 10-W25FA140X140	W	25	140x140