

## HYDRAULIC HAND PUMPS

**UpEasy**<sup>®</sup>

---

# INDEX

---

Subject	Page
GENERAL INFORMATIONS .....	1
TECHNICAL DATA .....	2
PUMP AND RESERVOIR SELECTION .....	3
“A” AND “B” MODULAR DESIGNS .....	4
MOUNTING POSITION OF PUMPS WITH RESERVOIRS.....	6
PUMPING GROUPS .....	7
HAND PUMPS WITHOUT RESERVOIRS .....	10
HAND PUMPS WITH RESERVOIRS .....	12
SUPPORT FOR HAND PUMPS WITHOUT RESERVOIR .....	18
RESERVOIRS .....	19
KIT AND ACCESSORIES .....	21
HAND PUMP WITHOUT RESERVOIRS WITH ALUMINIUM BODY SIMPLIFIED VERSION .....	23



---

## GENERAL INFORMATIONS

---

### DISPLACEMENTS

From 12 cm<sup>3</sup>/cycle (0.73 cu in/cycle)  
To 45 cm<sup>3</sup>/cycle (2.75 cu in/cycle)

- New interchangeable modular design for maximum flexibility
- Same pumping group with or without reservoir
- Suitable for auxiliary or emergency applications

### MAX PRESSURE

315 bar (4568 psi)

### GENERAL DESCRIPTION

"UpEasy" is a series of double acting hand pumps providing flow in both directions of lever movement.

#### ➤ MODULAR DESIGN

One of the primary characteristics of the new series of "UpEasy" pumps is the modular design.

**The modular design of the pumping groups, reservoirs and accessories allow the flexibility to configure the hand pump assembly required for the application.**

All pumping groups shown in the following pages can be mounted on a common support or on the reservoirs.

The pumping groups are furnished with the screws and a gasket for sealing to the support or the reservoir.

#### 1) Assembly of the pumping group on the support:

place the "O-Ring" supplied with the support on the pumping group.

#### 2) Assembly of the pumping group on the reservoir:

insert the suction kit on the pumping group.

Section **A** on page 4 addresses points 1 and 2.

To limit the inventory levels all the hand pumps configurations can be made by matching the following kits:

- pumping groups
- suction kit
- reservoirs
- reservoirs capacity kit (cover, gasket and screws)

Section **B** on page 5 addresses this flexibility.

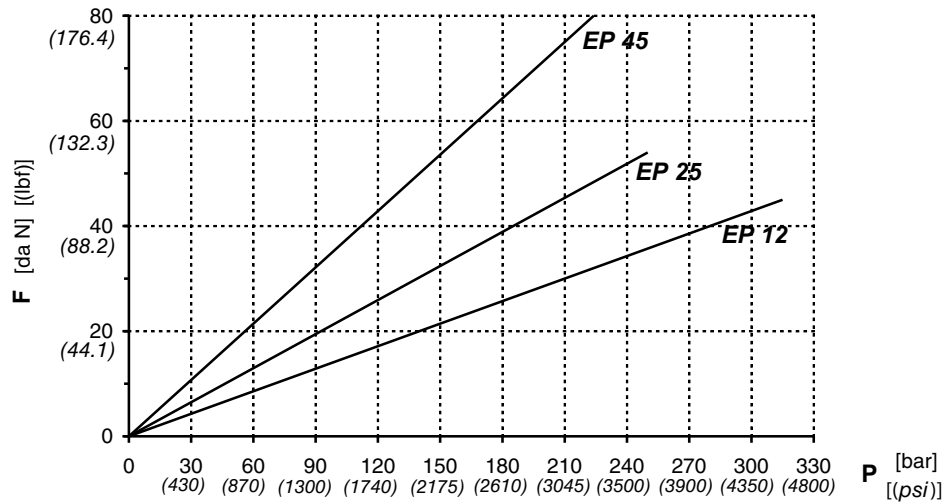
#### ➤ SIMPLIFIED VERSION

In this version the body is obtained from an extruded aluminum bar. This allows to the pump to be more compact and cheaper compared to modular solution.

## TECHNICAL DATA

Pumping group	type	<b>EP 12</b>	<b>EP 25</b>	<b>EP 45</b>
Displacement	cm <sup>3</sup> /cycle	12	25	45
	cu in/cycle	(0.73)	(1.53)	(2.75)
Max. pressure	bar	315	250	220
	(psi)	(4568)	(3625)	(3190)
Operating temperature	°C		-15 ÷ +80	
	(°F)		(5 ÷ 176)	
Fluid	Mineral oil based hydraulic fluids to DIN 51524. For other fluids please consult our sales department.			
Fluid viscosity range at 50°C	(mm <sup>2</sup> /s) (cSt)		12 ÷ 46	
	(SSU)		(66 ÷ 212)	

## FORCE - PRESSURE CHART



<b>F</b>	Force at the end of the standard lever code 06004390	da N (lbf)
<b>P</b>	Pressure	bar (psi)

02/04.2015

## PUMP AND RESERVOIR SELECTION

### PUMP SELECTION

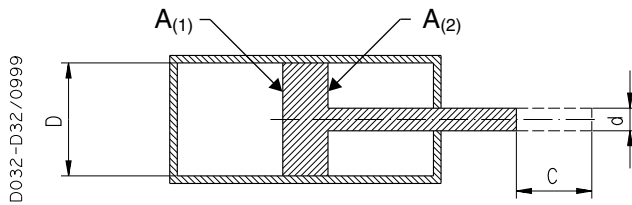
To select the right displacement of the pumping group it is necessary to know:

<b>C</b>	cm	Piston stroke
<b>D</b>	cm	Piston diameter
<b>d</b>	cm	Piston rod diameter
<b>P</b>	bar	Max. outlet pressure

Choose:

<b>Q</b>	cm <sup>3</sup> /cycle	Pump displacement
----------	------------------------	-------------------

Using the formulas listed below you can calculate the number of cycle "n" needed for the piston stroke "C".



$$A_{(1)} = \frac{\pi D^2}{4} \quad [\text{cm}^2]$$

$$A_{(2)} = \frac{\pi D^2}{4} - \frac{\pi d^2}{4} \quad [\text{cm}^2]$$

$$n = \frac{A_{(2)} C}{Q}$$

$$1 \text{ (cm)} = 0.394 \text{ [in]}$$

$$1 \text{ (bar)} = 14.5 \text{ [psi]}$$

$$1 \text{ (cm}^3\text{/cycle)} = 0.061 \text{ [cu in/cycle]}$$

From the force-pressure chart in page 2 is possible to see the force needed at the end of the lever.

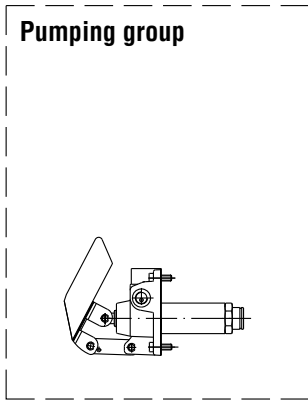
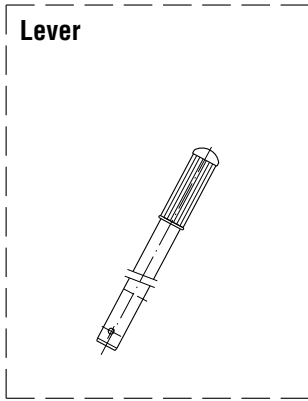
### RESERVOIR CHOICE

We recommend the reservoir capacity be 30% greater than the volume of oil needed.

02/04.2015

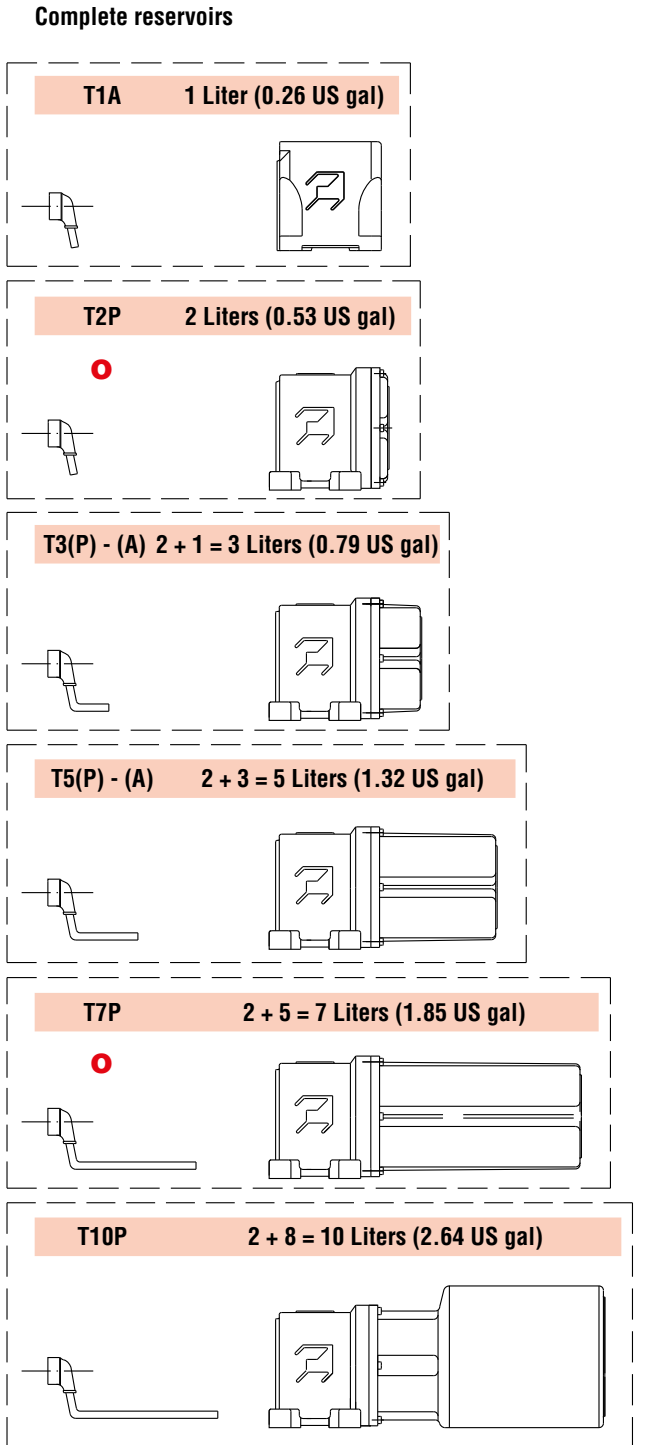
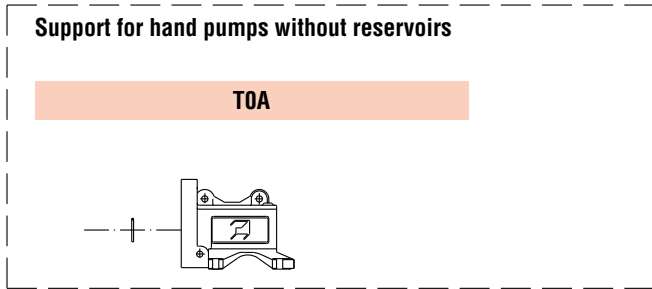
**MODULAR DESIGN - COMPLETE RESERVOIRS**

**A**



D032-D33/1099

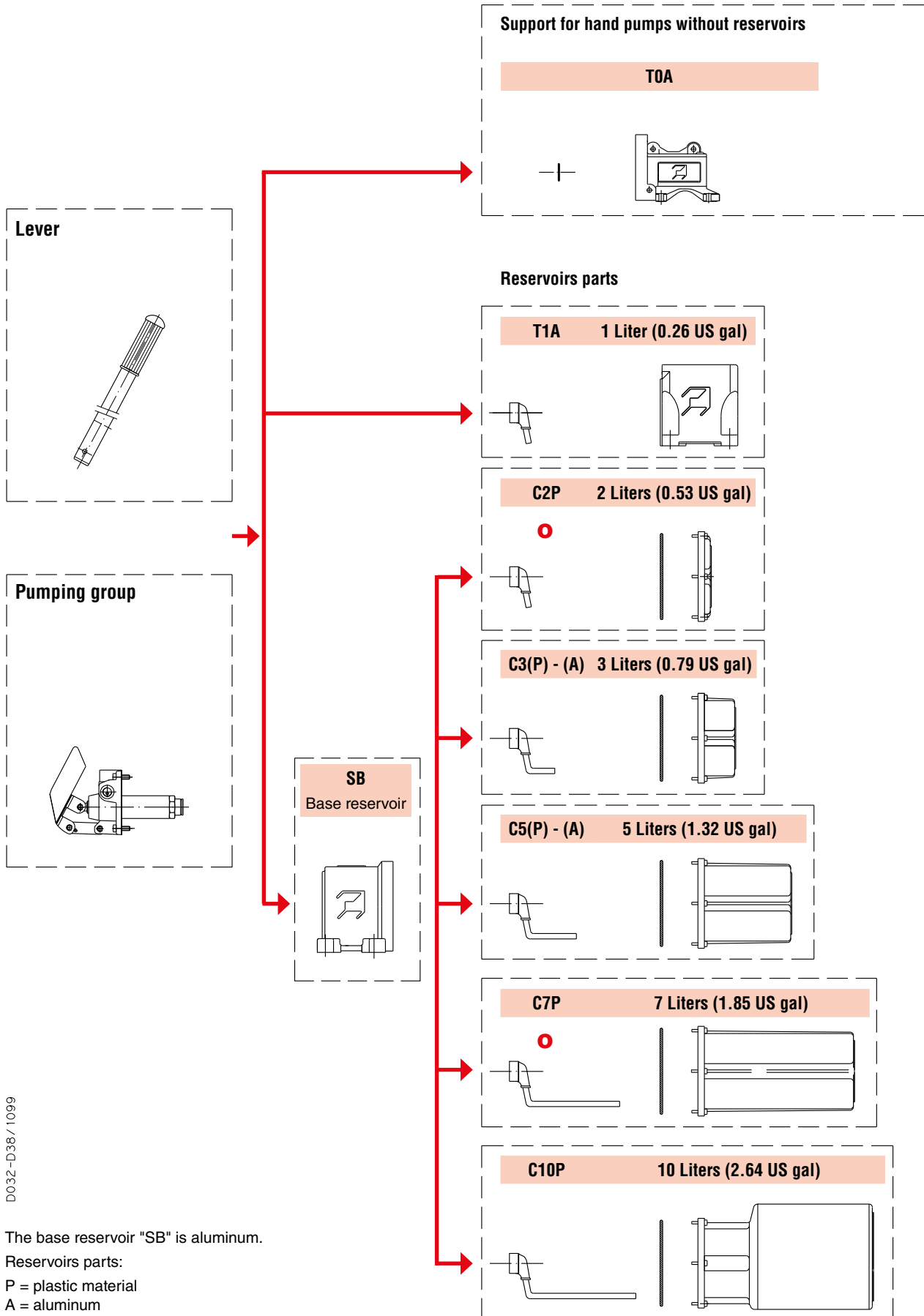
Complete reservoirs:  
P = plastic material  
A = aluminum



02/04.2015

**MODULAR DESIGN - RESERVOIRS PARTS**

**B**



02/04.2015

D032-D38 / 1099

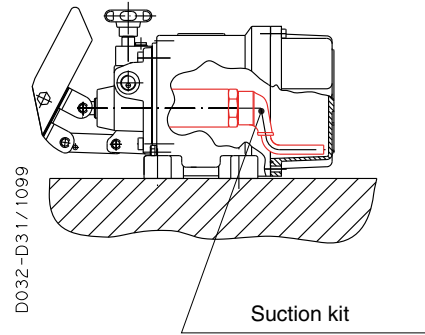
The base reservoir "SB" is aluminum.  
Reservoirs parts:  
P = plastic material  
A = aluminum

## MOUNTING POSITION OF PUMPS WITH RESERVOIRS

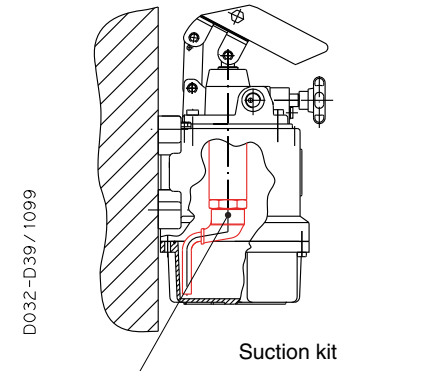
### HORIZONTAL AND/OR VERTICAL MOUNTING

Hand pump with **standard** configuration is set with the inlet kit mounted as shown in positions 1 and 2. Such configuration is horizontal or vertical mounting.

POS. 1



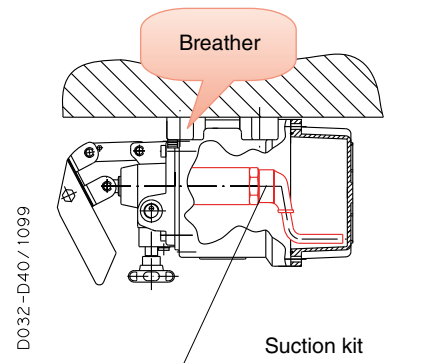
POS. 2



### TOP MOUNTING

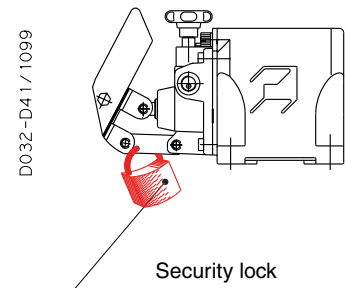
For this mounting the suction kit has to be turned 180° and the **filling plug position has to be switched with the breather**. For the reservoirs 1 ℓ (0.26 US gal) capacity order T1A-SF type.

POS. 3



### SECURITY LOCK

For safety reasons, you may lock the handle in place with a padlock to disable the pump



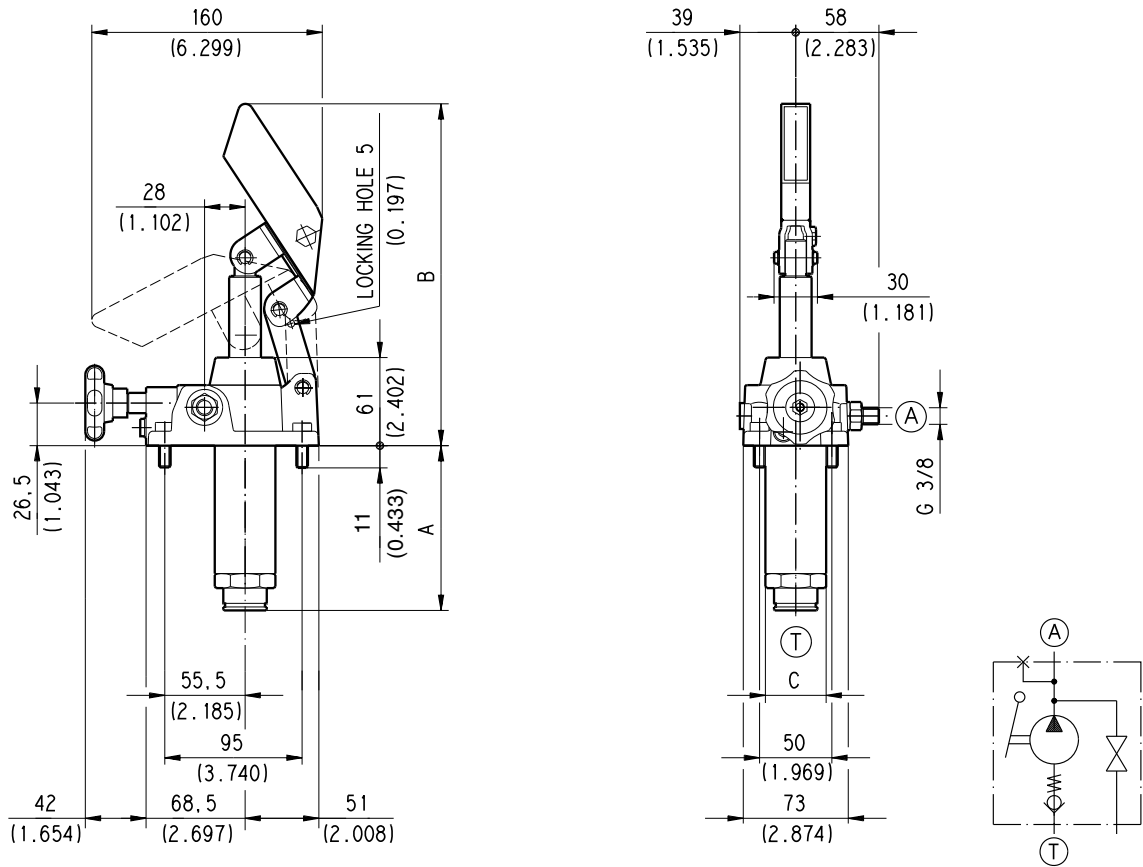
02/04.2015



**EP.. S - EP.. S V..**

**PUMPING GROUP WITH BUILT-IN SHUT-OFF VALVE**

D032-D 15 / 1099



**Requires the lever code 06004390**

How to order	Displacement	Max. pressure	A	B	C	Weight
	cm <sup>3</sup> /cycle (cu in/cycle)	bar (psi)	mm (in)	mm (in)	mm (in)	kg (lbs)
<b>EP 12 S</b>	12 (0.73)	315 (4568)	110 (4.331)	219 (8.622)	35 (1.378)	3,40 (7.5)
<b>EP 25 S</b>	25 (1.53)	250 (3625)	110 (4.331)	229 (9.016)	35 (1.378)	3,40 (7.5)
<b>EP 45 S</b>	45 (2.75)	220 (3190)	114 (4.488)	237 (9.331)	42 (1.654)	3,70 (8.16)

02/04.2015

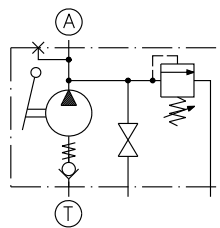
**Pumping group with built-in relief valve**

How to order

**EP 12 S** (◆)

**EP 25 S** (◆)

**EP 45 S** (◆)

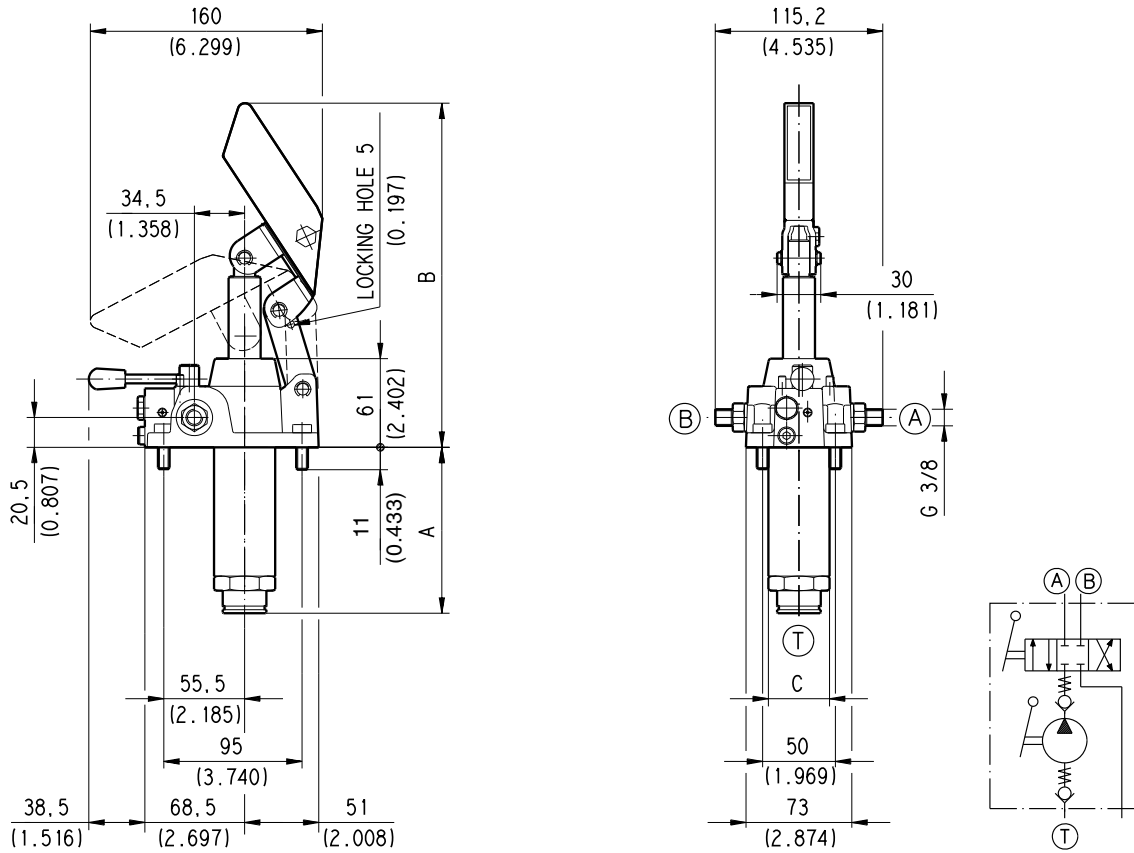


- (◆) **V1** (◆) Relief valve setting 0 ÷ 315 bar (0 - 4568 psi) - Standard setting 140 bar (2030 psi)
- V3 (...)** On request relief valve setting V3 (...[bar]) max. 315 bar (4568 psi)

**EP.. D - EP.. D V..**

**PUMPING GROUP WITH BUILT-IN 4 WAY  
AND 3 POSITIONS CONTROL VALVE**

D032-D16/1002



Requires the lever code 06004390

How to order	Displacement	Max. pressure	A	B	C	Weight
	cm <sup>3</sup> /cycle (cu in/cycle)	bar (psi)	mm (in)	mm (in)	mm (in)	kg (lbs)
<b>EP 12 D</b>	12 (0.73)	315 (4568)	110 (4.331)	219 (8.622)	35 (1.378)	3,50 (7.72)
<b>EP 25 D</b>	25 (1.53)	250 (3625)	110 (4.331)	229 (9.016)	35 (1.378)	3,50 (7.72)
<b>EP 45 D</b>	45 (2.75)	220 (3190)	114 (4.488)	237 (9.331)	42 (1.654)	3,80 (8.38)

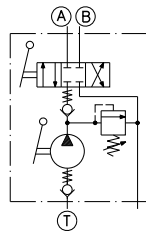
**Pumping group with built-in relief valve**

How to order

**EP 12 D** (◆)

**EP 25 D** (◆)

**EP 45 D** (◆)



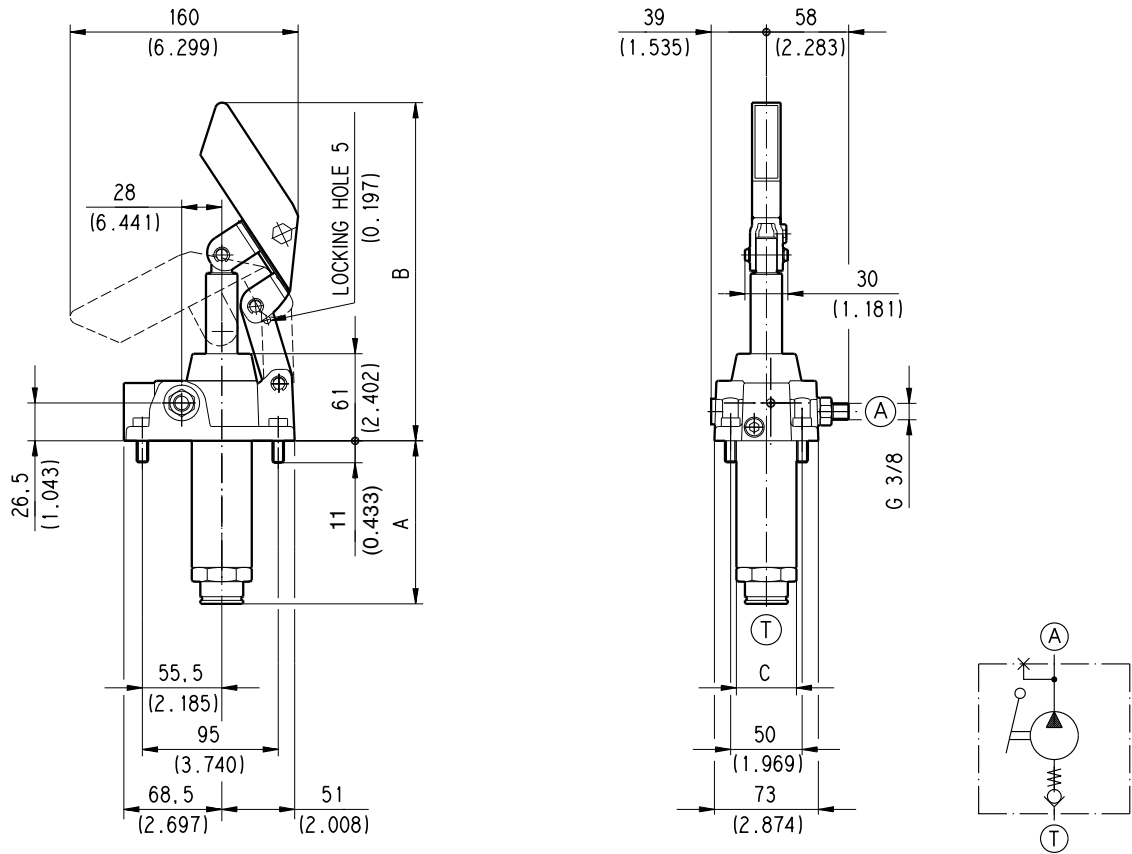
(◆) **V1** Relief valve setting 0 ÷ 315 bar (0 - 4568 psi) - Standard setting 140 bar (2030 psi)  
**V3 (...)** On request relief valve setting V3 (...[bar]) max. 315 bar (4568 psi)

02/04.2015

**EP.. W**

**PUMPING GROUP WITHOUT SHUT-OFF VALVE**

D032-D28/1099



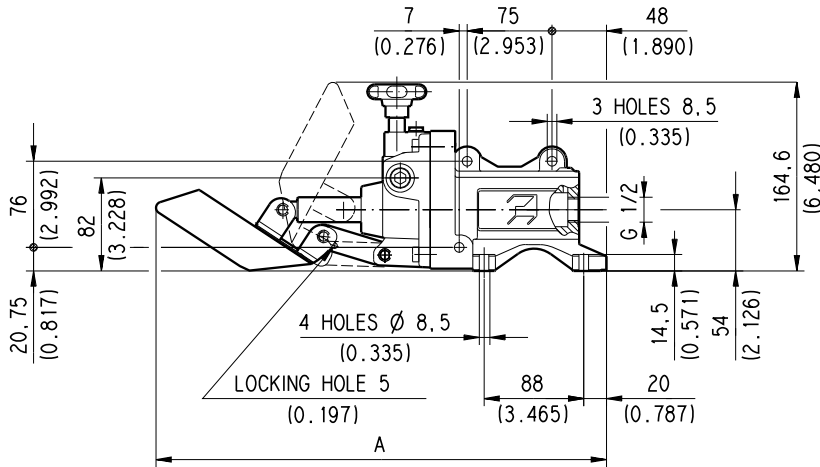
Requires the lever code 06004390

How to order	Displacement	Max. pressure	A	B	C	Weight
	cm <sup>3</sup> /cycle (cu in/cycle)	bar (psi)	mm (in)	mm (in)	mm (in)	kg (lbs)
<b>EP 12 W</b>	12 (0.73)	315 (4568)	110 (4.331)	219 (8.622)	35 (1.378)	3,20 (7.06)
<b>EP 25 W</b>	25 (1.53)	250 (3625)	110 (4.331)	229 (9.016)	35 (1.378)	3,20 (7.06)
<b>EP 45 W</b>	45 (2.75)	220 (3190)	114 (4.488)	237 (9.331)	42 (1.654)	3,50 (7.72)

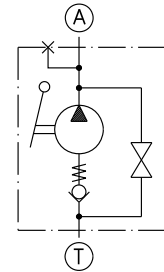
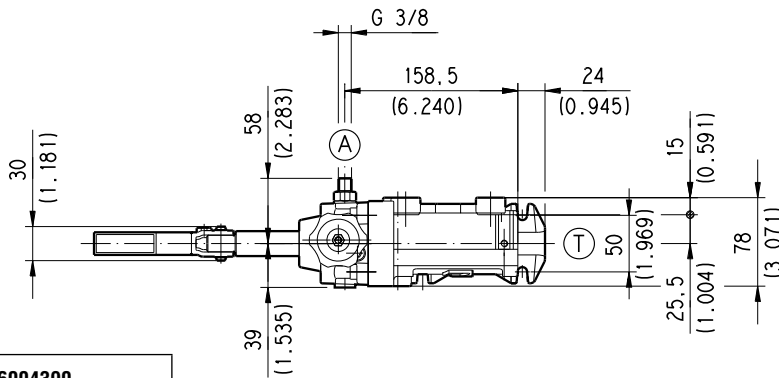
02/04.2015

**EP.. S/TOA - EP.. S V../TOA**

**HAND PUMP WITHOUT RESERVOIR WITH BUILT-IN SHUT-OFF VALVE**



D032-D17/1099



Requires the lever code 06004390

How to order	Displacement	Max. pressure	A	Weight
	cm <sup>3</sup> /cycle (cu in/cycle)	bar (psi)	mm (in)	kg (lbs)
<b>EP 12 S/TOA</b>	12 (0.73)	315 (4568)	375 (14.764)	4,70 (10.36)
<b>EP 25 S/TOA</b>	25 (1.53)	250 (3625)	385 (15.157)	4,70 (10.36)
<b>EP 45 S/TOA</b>	45 (2.75)	220 (3190)	393 (15.472)	5,00 (11.03)

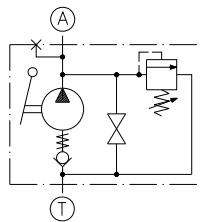
**Pumping group with built-in relief valve**

How to order

**EP 12 S (◆) /TOA**

**EP 25 S (◆) /TOA**

**EP 45 S (◆) /TOA**



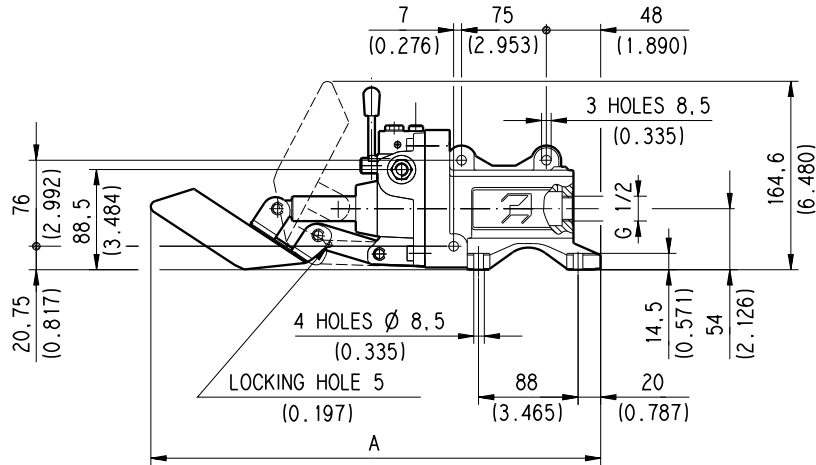
(◆) **V1** Relief valve setting 0 ÷ 315 bar (0 - 4568 psi) - Standard setting 140 bar (2030 psi)  
**V3 (...)** On request relief valve setting V3 (...[bar]) max. 315 bar (4568 psi)

02/04.2015

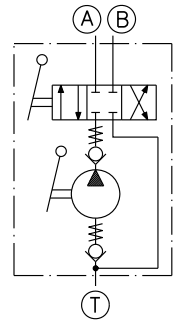
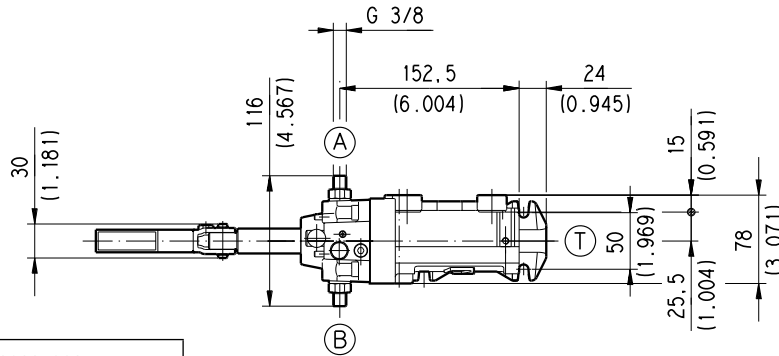
**EP.. D/TOA - EP.. D V../TOA**

**HAND PUMP WITHOUT RESERVOIR WITH BUILT-IN  
4 WAY AND 3 POSITIONS CONTROL VALVE**

Available version L (A) plugged



D032-D18/1002



Requires the lever code 06004390

How to order	Displacement	Max. pressure	A	Weight
	cm <sup>3</sup> /cycle (cu in/cycle)	bar (psi)	mm (in)	kg (lbs)
<b>EP 12 D/TOA</b>	12 (0.73)	315 (4568)	375 (14.764)	4,80 (10.58)
<b>EP 25 D/TOA</b>	25 (1.53)	250 (3625)	385 (15.157)	4,80 (10.58)
<b>EP 45 D/TOA</b>	45 (2.75)	220 (3190)	393 (15.472)	5,10 (11.25)

02/04.2015

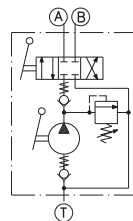
**Pumping group with built-in relief valve**

How to order

**EP 12 D (◆)/TOA**

**EP 25 D (◆)/TOA**

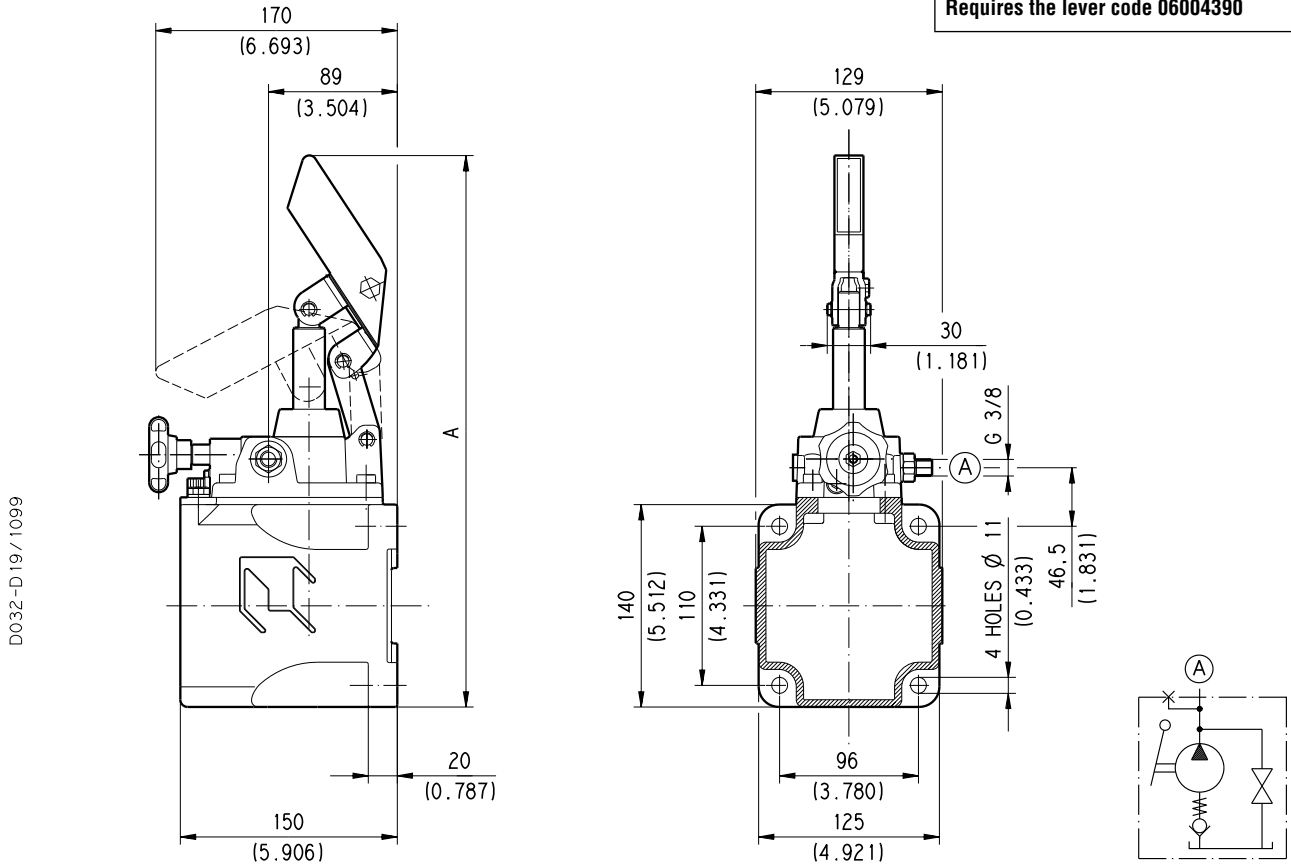
**EP 45 D (◆)/TOA**



(◆) **V1** Relief valve setting 0 ÷ 315 bar (0 - 4568 psi) - Standard setting 140 bar (2030 psi)  
**V3 (...)** On request relief valve setting V3 (...[bar]) max. 315 bar (4568 psi)

**EP.. S/T1A - EP.. S V../T1A**

**HAND PUMP WITH RESERVOIR 1 LITER CAPACITY  
WITH BUILT-IN SHUT-OFF VALVE**



How to order	Displacement	Max. pressure	A	Weight
	cm <sup>3</sup> /cycle (cu in/cycle)	bar (psi)	mm (in)	kg (lbs)
<b>EP 12 S/T1A</b>	12 (0.73)	315 (4568)	364 (14.331)	5,00 (11.03)
<b>EP 25 S/T1A</b>	25 (1.53)	250 (3625)	374 (14.724)	5,00 (11.03)
<b>EP 45 S/T1A</b>	45 (2.75)	220 (3190)	382 (15.039)	5,30 (11.69)

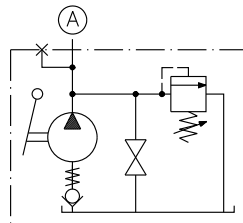
**Pumping group with built-in relief valve**

How to order

**EP 12 S (◆)/T1A**

**EP 25 S (◆)/T1A**

**EP 45 S (◆)/T1A**



(◆) **V1** **○** Relief valve setting 0 ÷ 315 bar (0 - 4568 psi) - Standard setting 140 bar (2030 psi)  
**V3 (...)** On request relief valve setting V3 (...[bar]) max. 315 bar (4568 psi)

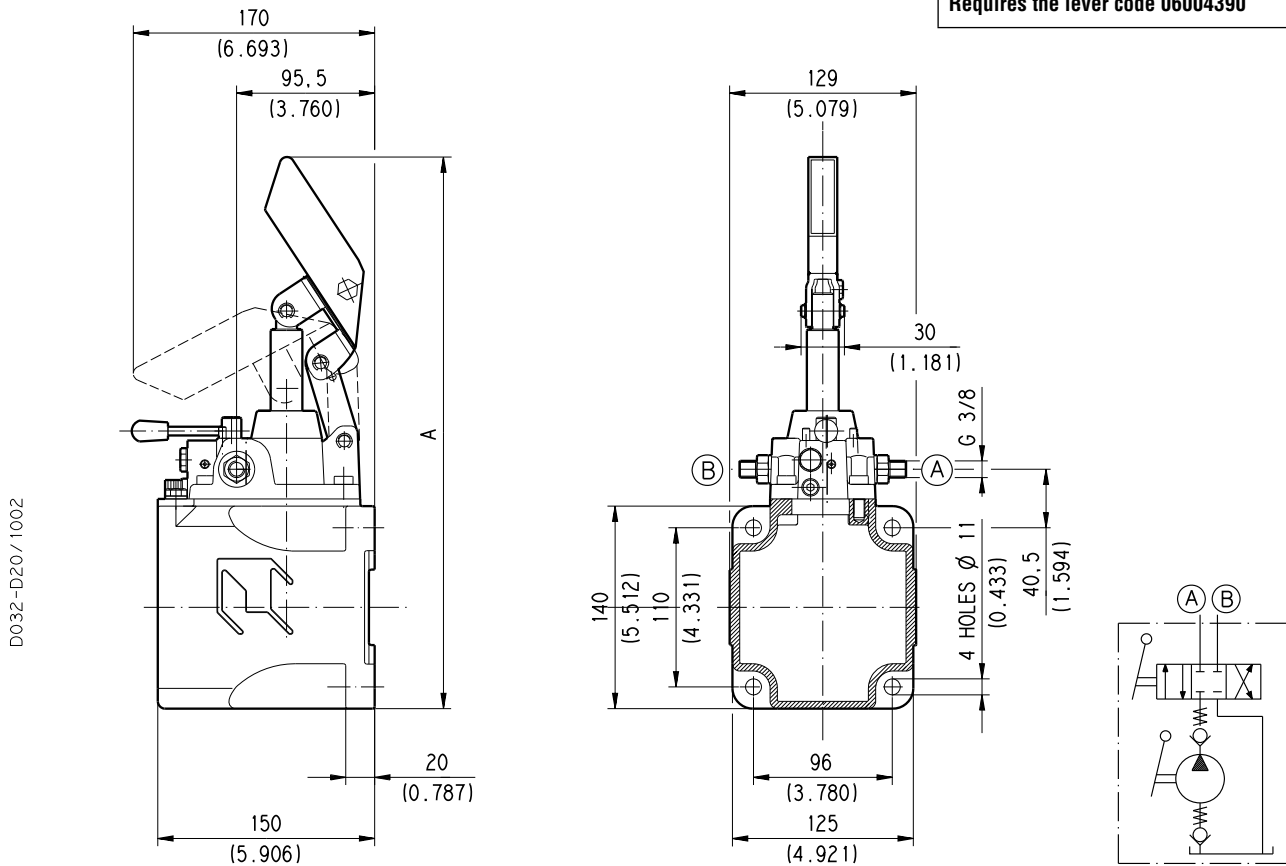
The reservoir is available only in aluminum.

02/04.2015

# EP.. D/T1A - EP.. D V../T1A

## HAND PUMP WITH RESERVOIR 1 LITER CAPACITY WITH BUILT-IN 4 WAY AND 3 POSITIONS CONTROL VALVE

Requires the lever code 06004390



How to order	Displacement	Max. pressure	A	Weight
	cm <sup>3</sup> /cycle (cu in/cycle)	bar (psi)	mm (in)	kg (lbs)
<b>EP 12 D/T1A</b>	12 (0.73)	315 (4568)	364 (14.331)	5,10 (11.25)
<b>EP 25 D/T1A</b>	25 (1.53)	250 (3625)	374 (14.724)	5,10 (11.25)
<b>EP 45 D/T1A</b>	45 (2.75)	220 (3190)	382 (15.039)	5,40 (11.91)

02/04.2015

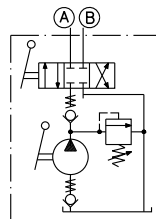
### Pumping group with built-in relief valve

How to order

**EP 12 D (◆)/T1A**

**EP 25 D (◆)/T1A**

**EP 45 D (◆)/T1A**

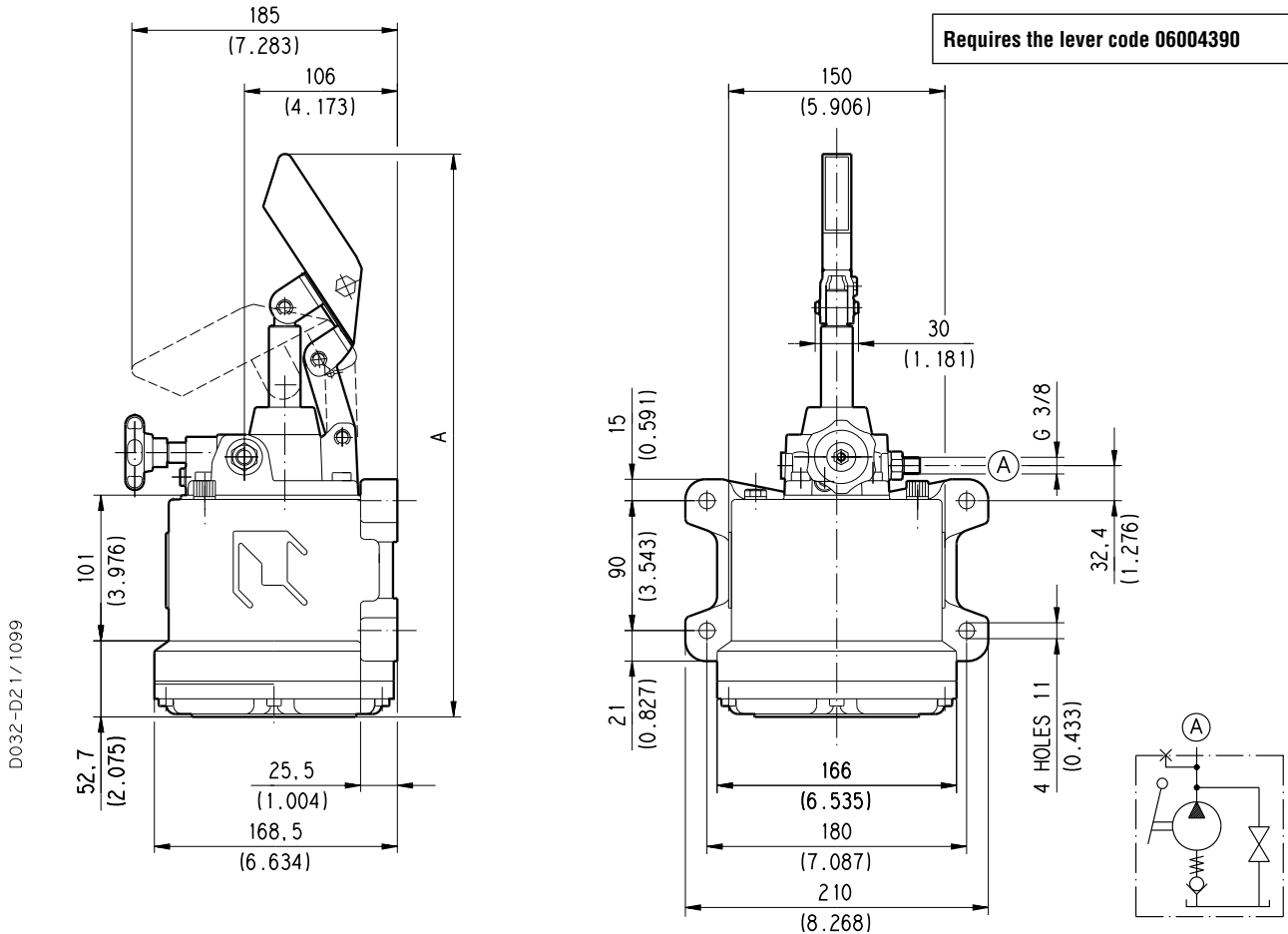


(◆) **V1** ○ Relief valve setting 0 ÷ 315 bar (0 - 4568 psi) - Standard setting 140 bar (2030 psi)  
**V3 (...)** On request relief valve setting V3 (...[bar]) max. 315 bar (4568 psi)

The reservoir is available only in aluminum.

**EP.. S/T2P - EP.. S V../T2P**

**HAND PUMP WITH RESERVOIR 2 LITERS CAPACITY  
WITH BUILT-IN SHUT-OFF VALVE**



How to order	Displacement	Max. pressure	A	Weight
	cm <sup>3</sup> /cycle (cu in/cycle)	bar (psi)	mm (in)	kg (lbs)
<b>EP 12 S/T2P</b>	12 (0.73)	315 (4568)	374,7 (14.752)	5,90 (13.01)
<b>EP 25 S/T2P</b>	25 (1.53)	250 (3625)	384,7 (15.146)	5,90 (13.01)
<b>EP 45 S/T2P</b>	45 (2.75)	220 (3190)	392,7 (15.461)	6,20 (13.67)

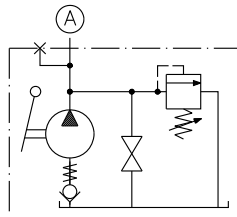
**Pumping group with built-in relief valve**

How to order

**EP 12 S (◆)/T2P**

**EP 25 S (◆)/T2P**

**EP 45 S (◆)/T2P**



(◆) **V1** **○** Relief valve setting 0 ÷ 315 bar (0 - 4568 psi) - Standard setting 140 bar (2030 psi)  
**V3 (...)** On request relief valve setting V3 (...[bar]) max. 315 bar (4568 psi)

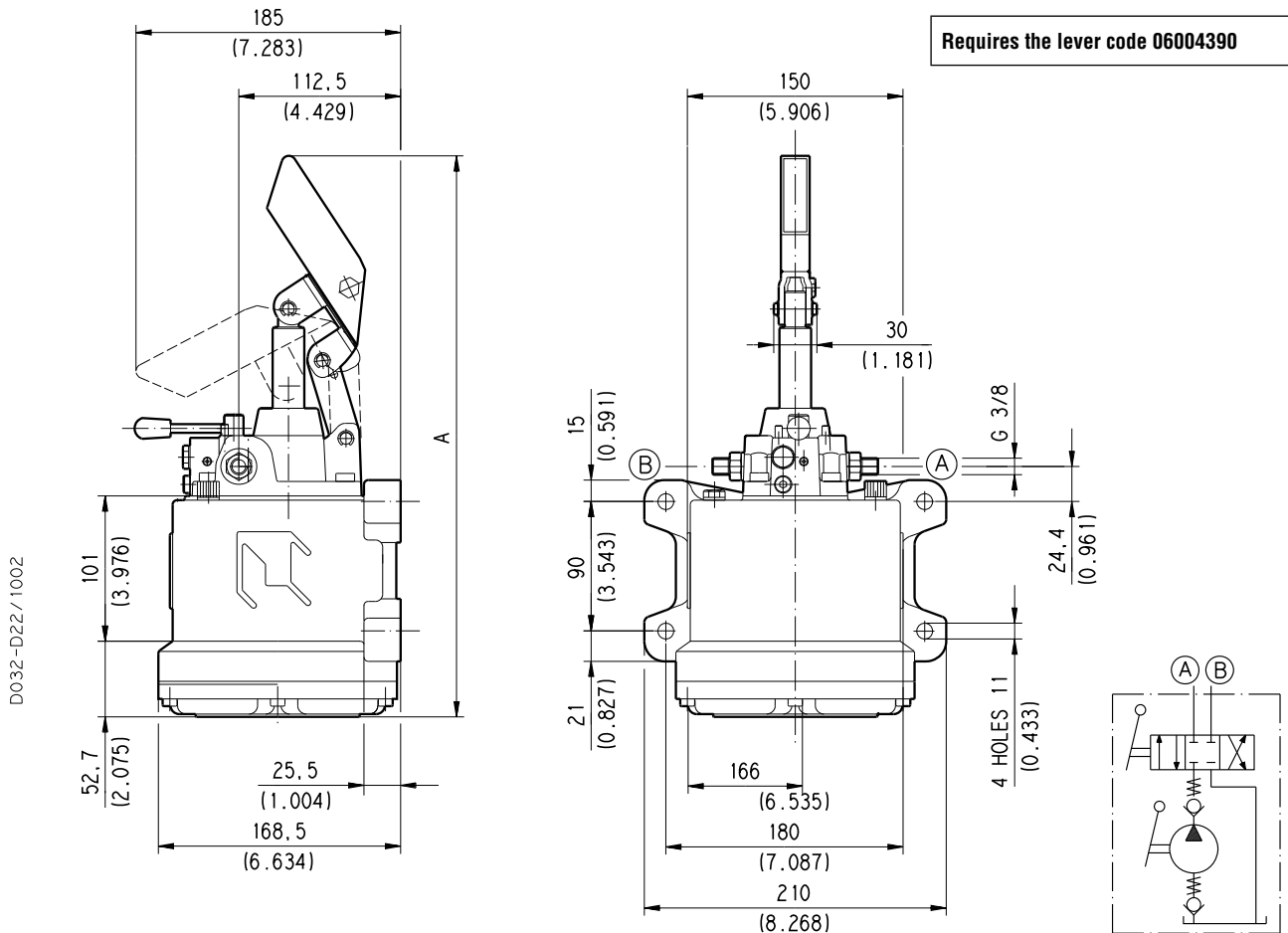
The reservoir is available only in plastic P material (dimensions on page 19).

02/04.2015



**EP.. D/T2P - EP.. D V../T2P**

**HAND PUMP WITH RESERVOIR 2 LITERS CAPACITY  
WITH BUILT-IN 4 WAY AND 3 POSITIONS CONTROL VALVE**



How to order	Displacement	Max. pressure	A	Weight
	cm <sup>3</sup> /cycle (cu in/cycle)	bar (psi)	mm (in)	kg (lbs)
<b>EP 12 D/T2P</b>	12 (0.73)	315 (4568)	374,7 (14.752)	6,00 (13.23)
<b>EP 25 D/T2P</b>	25 (1.53)	250 (3625)	384,7 (15.146)	6,00 (13.23)
<b>EP 45 D/T2P</b>	45 (2.75)	220 (3190)	392,7 (15.461)	6,30 (13.89)

02/04.2015

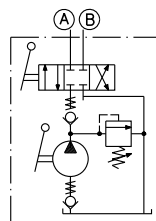
**Pumping group with built-in relief valve**

How to order

**EP 12 D (◆)/T2P**

**EP 25 D (◆)/T2P**

**EP 45 D (◆)/T2P**

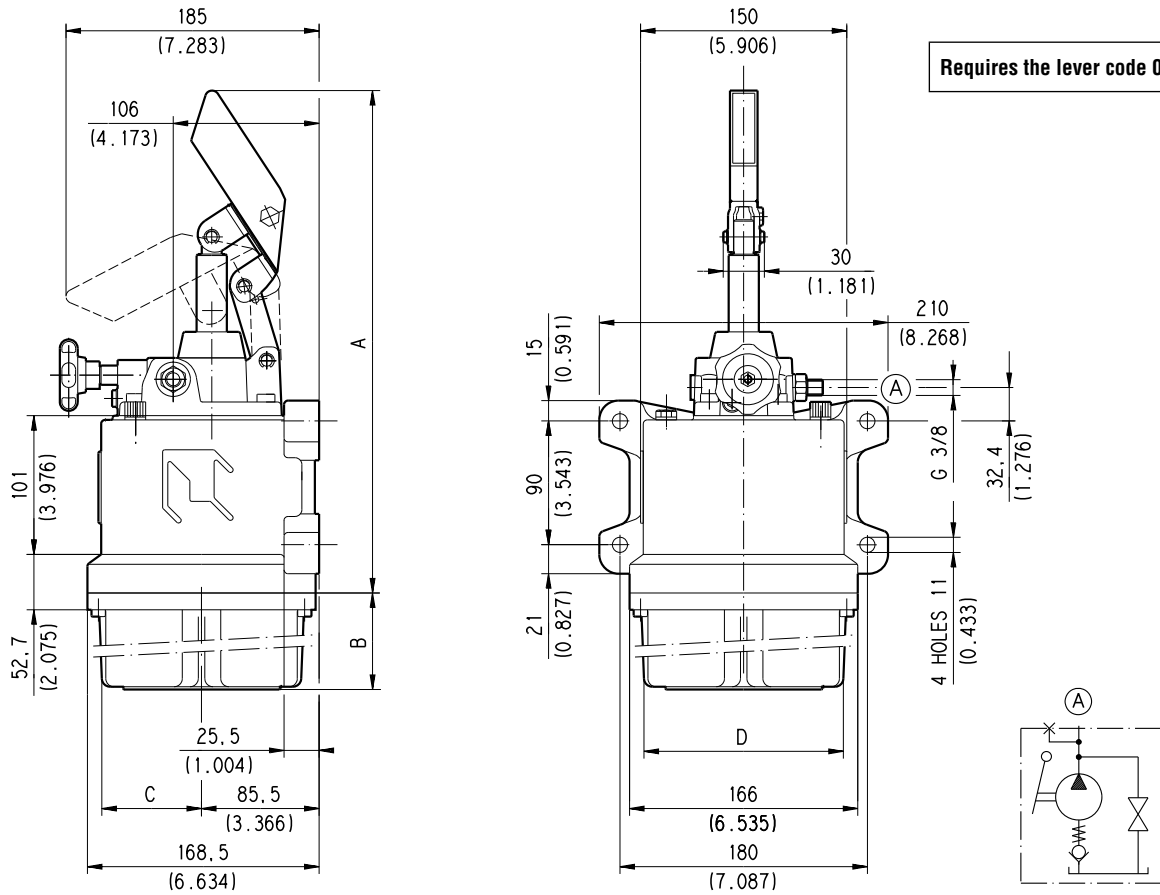


(◆) **V1** **○** Relief valve setting 0 ÷ 315 bar (0 - 4568 psi) - Standard setting 140 bar (2030 psi)  
**V3 (...)** On request relief valve setting V3 (...[bar]) max. 315 bar (4568 psi)

The reservoir is available only in plastic P material (dimensions on page 19).

**EP.. S/T..P - EP.. S V../T..P**

**HAND PUMP WITH RESERVOIR 3-5-7-10 LITERS  
CAPACITY WITH BUILT-IN SHUT-OFF VALVE**



D032-D23/1099

How to order	Displacement cm <sup>3</sup> /cycle (cu in/cycle)	Max. pressure bar (psi)	A mm (in)	Weight (kg) [lbs]					
				T3P	T3A	T5P	T5A	T7P	T10P
<b>EP 12..</b>	12 (0.73)	315 (4568)	350 (13.780)	6,00 (13.23)	6,80 (14.99)	6,20 (13.67)	7,50 (16.54)	6,50 (14.33)	7,30 (16.10)
<b>EP 25..</b>	25 (1.53)	250 (3625)	360 (14.173)	6,00 (13.23)	6,80 (14.99)	6,20 (13.67)	7,50 (16.54)	6,50 (14.33)	7,30 (16.10)
<b>EP 45..</b>	45 (2.75)	220 (3190)	368 (14.488)	6,30 (13.89)	7,10 (15.66)	6,50 (14.33)	7,80 (17.20)	6,80 (14.99)	7,60 (16.76)

**Reservoir**

	Capacity	3 [ℓ] - 0.79 [US gal]		5 [ℓ] - 1.32 [US gal]		7 [ℓ] - 1.85 [US gal]		10 [ℓ] - 2.64 [US gal]	
		Material	Plastic	Aluminum	Plastic	Aluminum	Plastic	Plastic	
<b>B</b>	mm (in)	70 (2.756)	72,5 (2.854)	174 (6.850)	185 (7.284)	290 (11.417)	275 (10.827)		
<b>C</b>	mm (in)	72,25 (2.844)	67,5 (2.658)	72,25 (2.844)	67,5 (2.658)	72,25 (2.844)	112 (4.409)		
<b>D</b>	mm (in)	144,5 (5.689)	135 (5.315)	144,5 (5.689)	135 (5.315)	144,5 (5.689)	208 (8.189)		

**Hand pump with reservoir**

<b>EP 12 S/...</b>	T3P	T3A	T5P	T5A	T7P	T10P
<b>EP 25 S/...</b>	T3P	T3A	T5P	T5A	T7P	T10P
<b>EP 45 S/...</b>	T3P	T3A	T5P	T5A	T7P	T10P



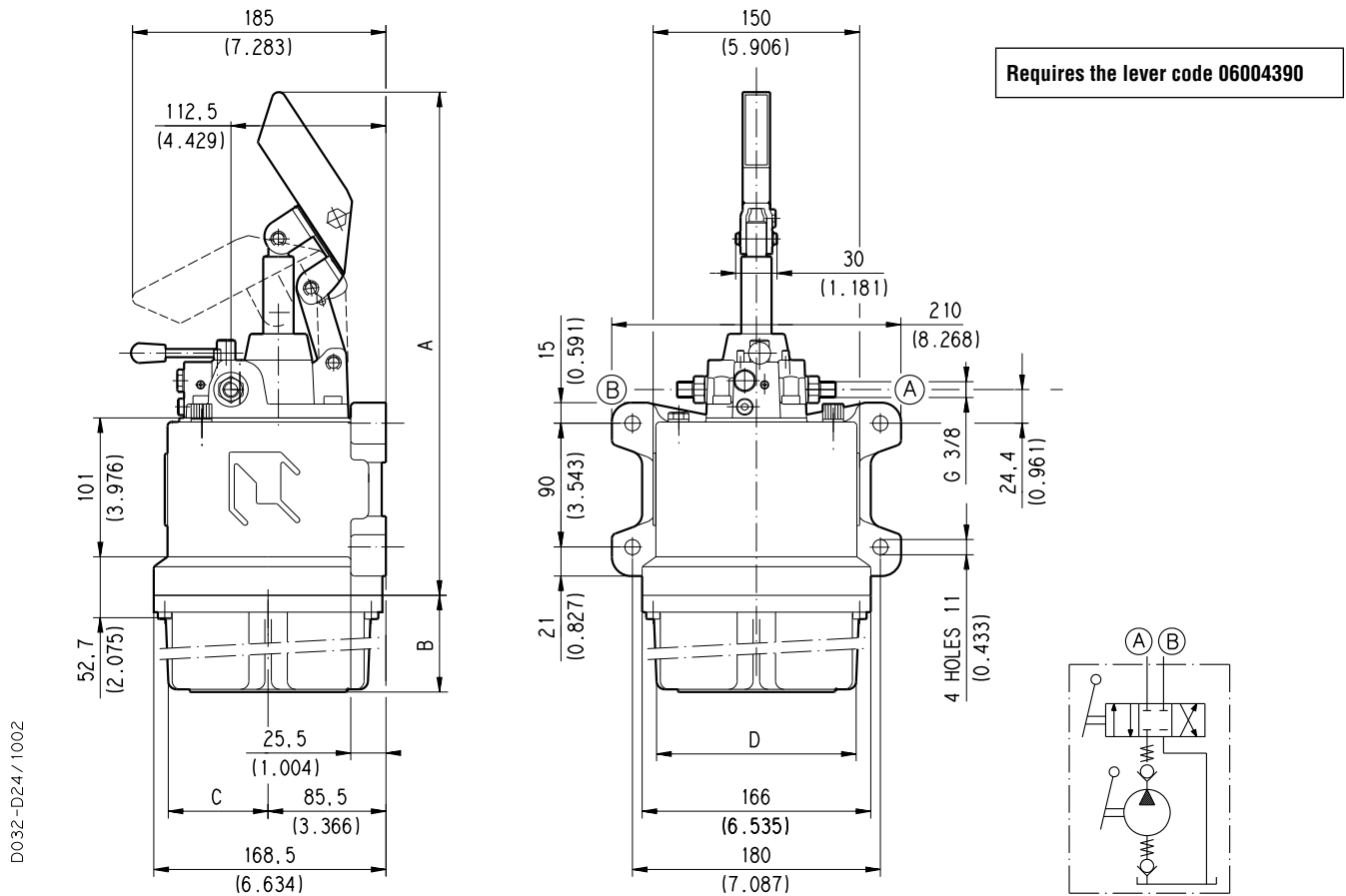
**Hand pump with reservoir and relief valve**

<b>EP 12 S (◆)/...</b>	T3P	T3A	T5P	T5A	T7P	T10P
<b>EP 25 S (◆)/...</b>	T3P	T3A	T5P	T5A	T7P	T10P
<b>EP 45 S (◆)/...</b>	T3P	T3A	T5P	T5A	T7P	T10P

(◆) **V1**: Relief valve setting 0 ÷ 315 bar (0 - 4568 psi) - Standard setting 140 bar (2030 psi)  
**V3 (...[bar])**: On request valve setting max. 315 bar 4568 (psi)

02/04.2015

**EP.. D/T..P - EP.. D V../T..P** **HAND PUMP WITH RESERVOIR 3-5-7-10 LITERS CAPACITY WITH BUILT-IN 4 WAY AND 3 POSITIONS CONTROL VALVE**



How to order	Displacement cm <sup>3</sup> /cycle (cu in/cycle)	Max. pressure bar (psi)	A mm (in)	Weight (kg) [lbs]					
				T3P	T3A	T5P	T5A	T7P	T10P
EP 12..	12 (0.73)	315 (4568)	350 (13.780)	6,10 (13.45)	6,90 (15.21)	6,30 (13.89)	7,60 (16.76)	6,60 (14.55)	7,40 (16.32)
EP 25..	25 (1.53)	250 (3625)	360 (14.173)	6,10 (13.45)	6,90 (15.21)	6,30 (13.89)	7,60 (16.76)	6,60 (14.55)	7,40 (16.32)
EP 45..	45 (2.75)	220 (3190)	368 (14.488)	6,40 (14.11)	7,20 (15.88)	6,60 (14.55)	7,90 (17.42)	6,90 (15.21)	7,70 (16.98)

**Reservoir**

	3 [ℓ] - 0.79 [US gal]		5 [ℓ] - 1.32 [US gal]		7 [ℓ] - 1.85 [US gal]		10 [ℓ] - 2.64 [US gal]
	Material	Plastic	Aluminum	Plastic	Aluminum	Plastic	Plastic
<b>B</b>	mm (in)	70 (2.756)	72,5 (2.854)	174 (6.850)	185 (7.284)	290 (11.417)	275 (10.827)
<b>C</b>	mm (in)	72,25 (2.844)	67,5 (2.658)	72,25 (2.844)	67,5 (2.658)	72,25 (2.844)	112 (4.409)
<b>D</b>	mm (in)	144,5 (5.689)	135 (5.315)	144,5 (5.689)	135 (5.315)	144,5 (5.689)	208 (8.189)

**Hand pump with reservoir**

EP 12 D/...	T3P	T3A	T5P	T5A	T7P	T10P
EP 25 D/...	T3P	T3A	T5P	T5A	T7P	T10P
EP 45 D/...	T3P	T3A	T5P	T5A	T7P	T10P

**Hand pump with reservoir and relief valve**

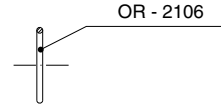
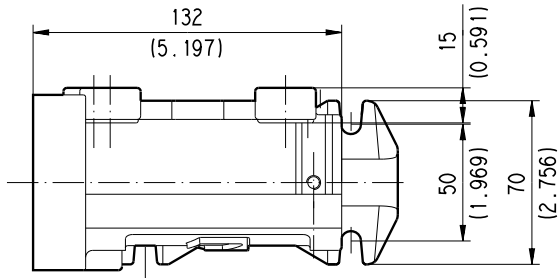
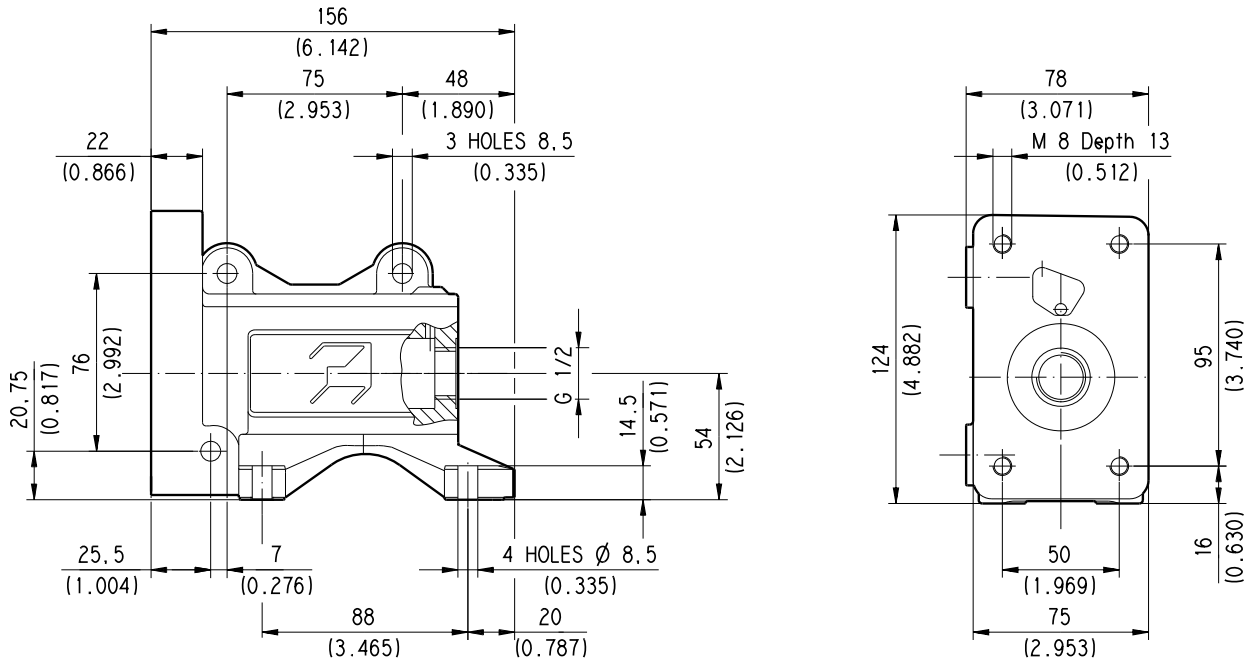
EP 12 D (◆)/...	T3P	T3A	T5P	T5A	T7P	T10P
EP 25 D (◆)/...	T3P	T3A	T5P	T5A	T7P	T10P
EP 45 D (◆)/...	T3P	T3A	T5P	T5A	T7P	T10P

(◆) **V1**: Relief valve setting 0 ÷ 315 bar (0 - 4568 psi) - Standard setting 140 bar (2030 psi)

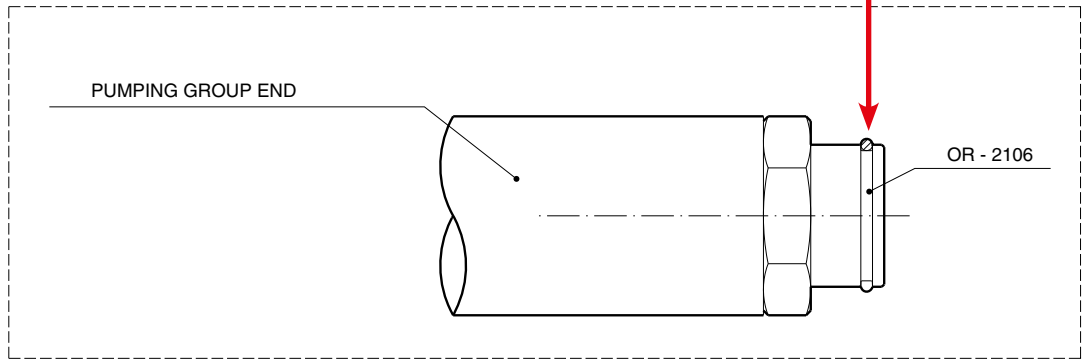
**V3 (...[bar])**: On request valve setting max. 315 bar 4568 (psi)

02/04.2015

## SUPPORT FOR HAND PUMPS WITHOUT RESERVOIR



Assemble the OR - 2106 to the pumping group end.



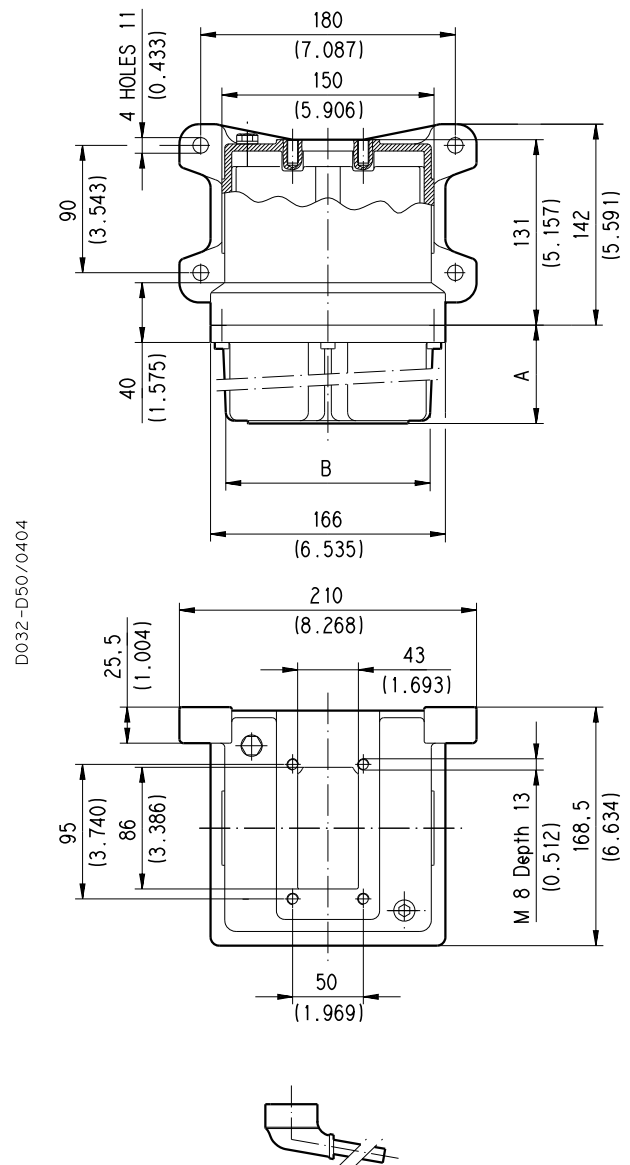
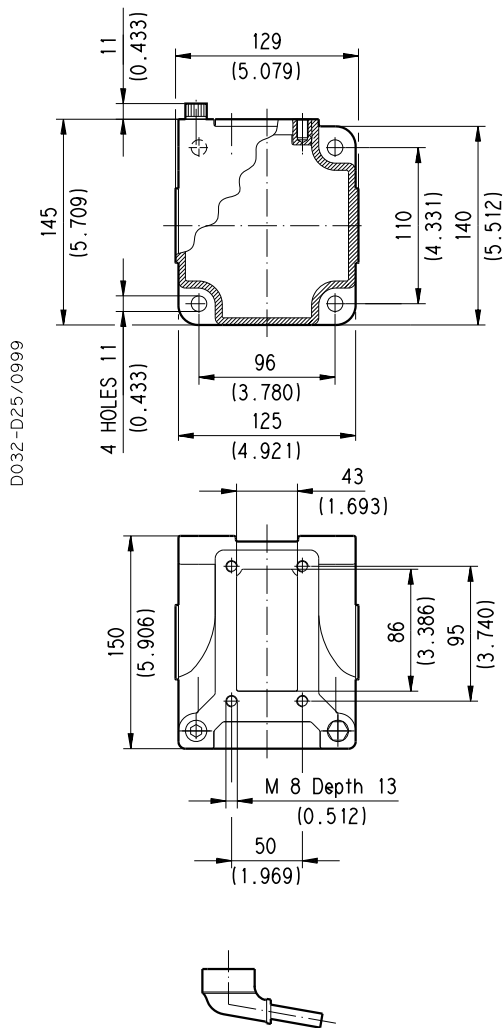
D032-D29/0999

02/04.2015

How to order (●)	Material	Weight
<b>TOA</b>	Aluminum	kg (lbs)
		1,30 (2.87)

(●) The ordering code includes the O-Ring seal.

## RESERVOIRS 1 - 2 - 3 - 5 - 7 LITERS CAPACITY



02/04.2015

Material	Weight	
	kg	(lbs)
Aluminum	1,60	(3.53)
How to order (●)		Reservoir capacity
<b>T1A</b>		1 (0.26)

(●) The ordering code includes the suction kit.  
For top mounting order reservoir code T1A-SF.

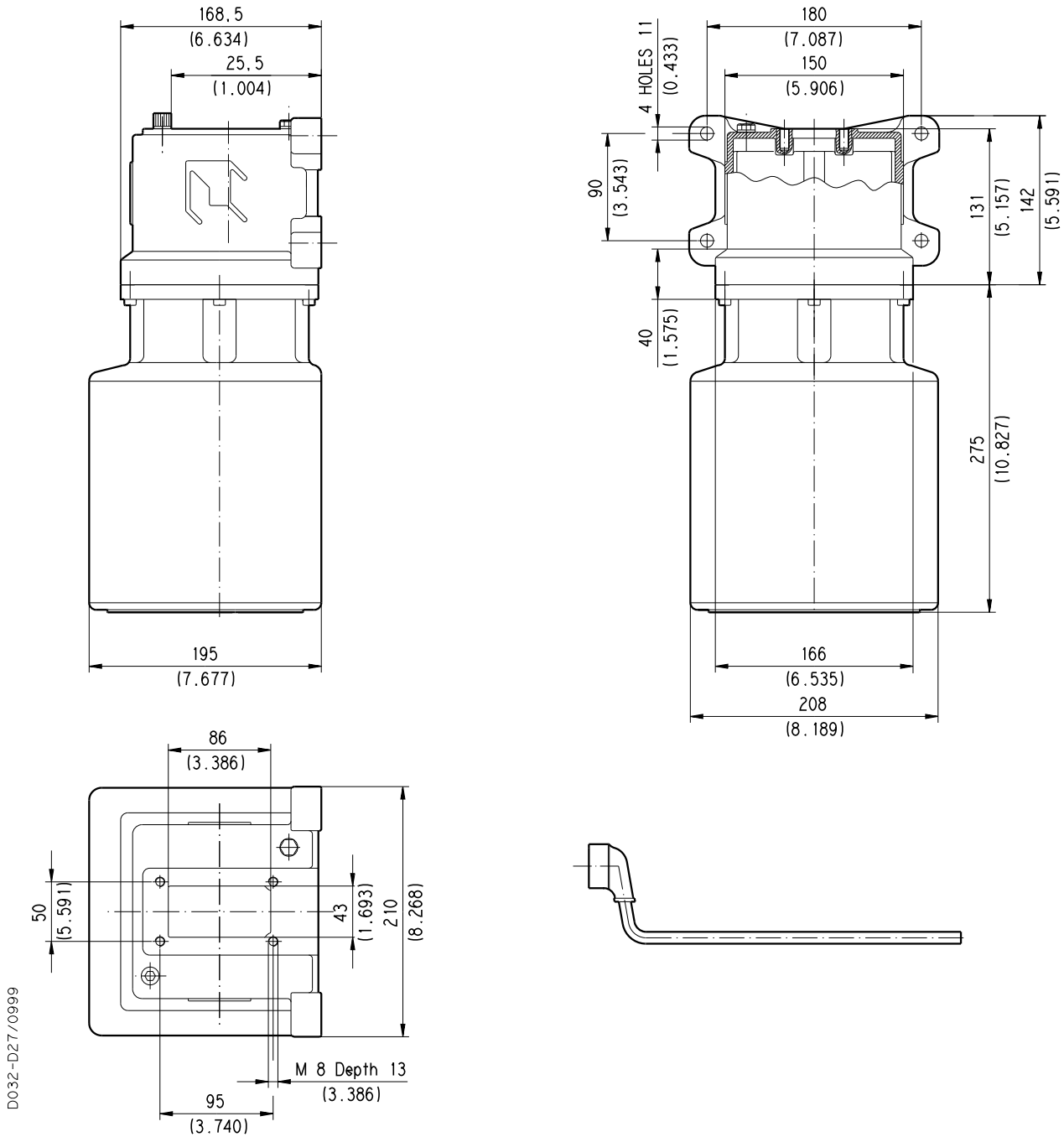
How to order (■)	C.ty [ℓ] (US gal)	A		B		Weight	
		Plast.	Alum.	Plast.	Alum.	Plast.	Alum.
		mm (in)	mm (in)	mm (in)	mm (in)	kg (lbs)	kg (lbs)
<b>T2</b> (◆)	2 (0.53)	24,7 (0,972)	9,5 (0.374)	144,5 (5.68)	135 (5.315)	2,50 (5.51)	3,00 (6.62)
<b>T3</b> P	3 (0.79)	70 (2.756)	72,5 (2.854)	144,5 (5.689)	135 (5.315)	2,60 (5.73)	3,40 (7.50)
<b>T5</b> A	5 (1.32)	174 (6.850)	185 (7.284)	144,5 (5.689)	135 (5.315)	2,80 (6.17)	4,10 (9.04)
<b>T7</b> (◆)	7 (1.85)	290 (11.417)	322,5 (12.697)	144,5 (5.689)	135 (5.315)	3,10 (6.84)	5,30 (11.69)

(■) The ordering code includes the suction kit.  
The base reservoir "SB" is aluminum, the cover is available in plastic or aluminum.

(◆) Available only in plastic material.

Order example of 5 liters reservoir in plastic material: T5P.  
To order the reservoir in aluminum replace the letter P with A: T5A

## RESERVOIR 10 LITERS CAPACITY



D032-D27/0999

02/04.2015

How to order (●)	Material	Reservoir capacity	Weight
		[ℓ] (US gal)	kg (lbs)
<b>T10P</b>	Plastic	10 (2.64)	3,90 (8.60)

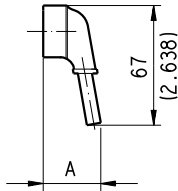
(●) The ordering code includes the suction kit.

(●) The base reservoir "SB" is aluminum, the cover is available only in plastic material.

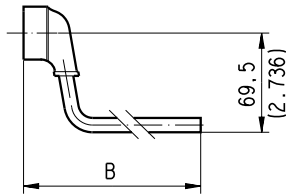
## KIT AND ACCESSORIES

### SUCTION KIT

D032-D35/0999



D032-D34/0999

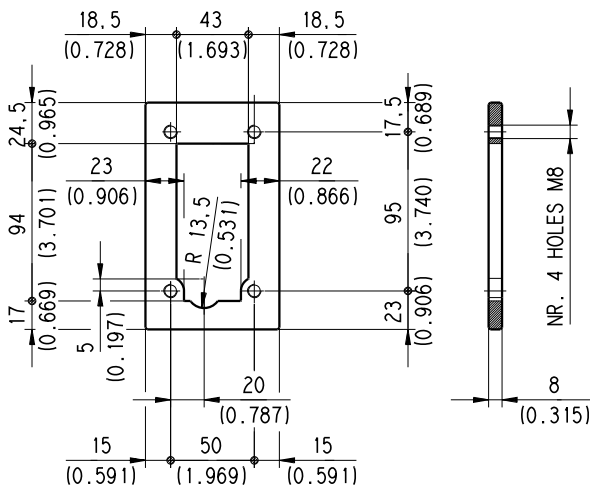


Reservoir capacity	How to order kit (●)	A	B
		mm (in)	mm (in)
1 [ℓ] 0.26 [US gal]	<b>KT 02</b>	41 (1.614)	
2 [ℓ] 0.53 [US gal]			
3 [ℓ] 0.79 [US gal]	<b>KT 03</b>		91 (3.583)
5 [ℓ] 1.39 [US gal]	<b>KT 05</b>		194 (7.638)
7 [ℓ] 1.85 [US gal]	<b>KT 07</b>		311 (12.244)
10 [ℓ] 2.64 [US gal]			

(●) The kit is complete with strainer.

### MOUNTING FLANGE FOR ATTACHING THE PUMPING GROUP TO A CUSTOMER RESERVOIR

D032-D36/0999



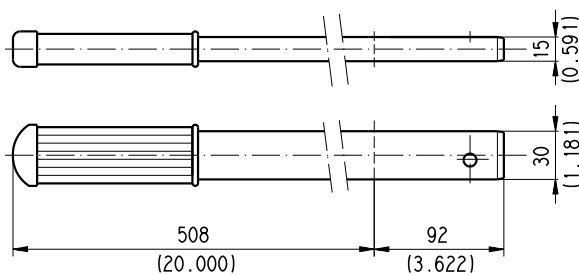
How to order

**06004395**

### LEVER

02/04.2015

D032-D37/0999



How to order (●)

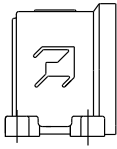
**06004390**

(●) Different length lever are available on request.

## KIT AND ACCESSORIES

### BASE RESERVOIR

D032-D45/0999



How to order	Material
<b>SB</b>	Aluminum

### COVER KIT FOR RESERVOIR (cover, gasket, screws and suction kit)

Reservoir capacity [ℓ] (US gal)	How to order	
	Material	
	Plastic	Aluminum
<b>○</b> 2 (0.53)	<b>C2P</b> D032-D44/0404 	
3 (0.79)	<b>C3P</b> D032-D46/0404 	<b>C3A</b> D032-D56/0404 
5 (1.32)	<b>C5P</b> D032-D47/0404 	<b>C5A</b> D032-D57/0404 
<b>○</b> 7 (1.85)	<b>C7P</b> D032-D48/0404 	
10 (2.64)	<b>C10P</b> D032-D49/0404 	

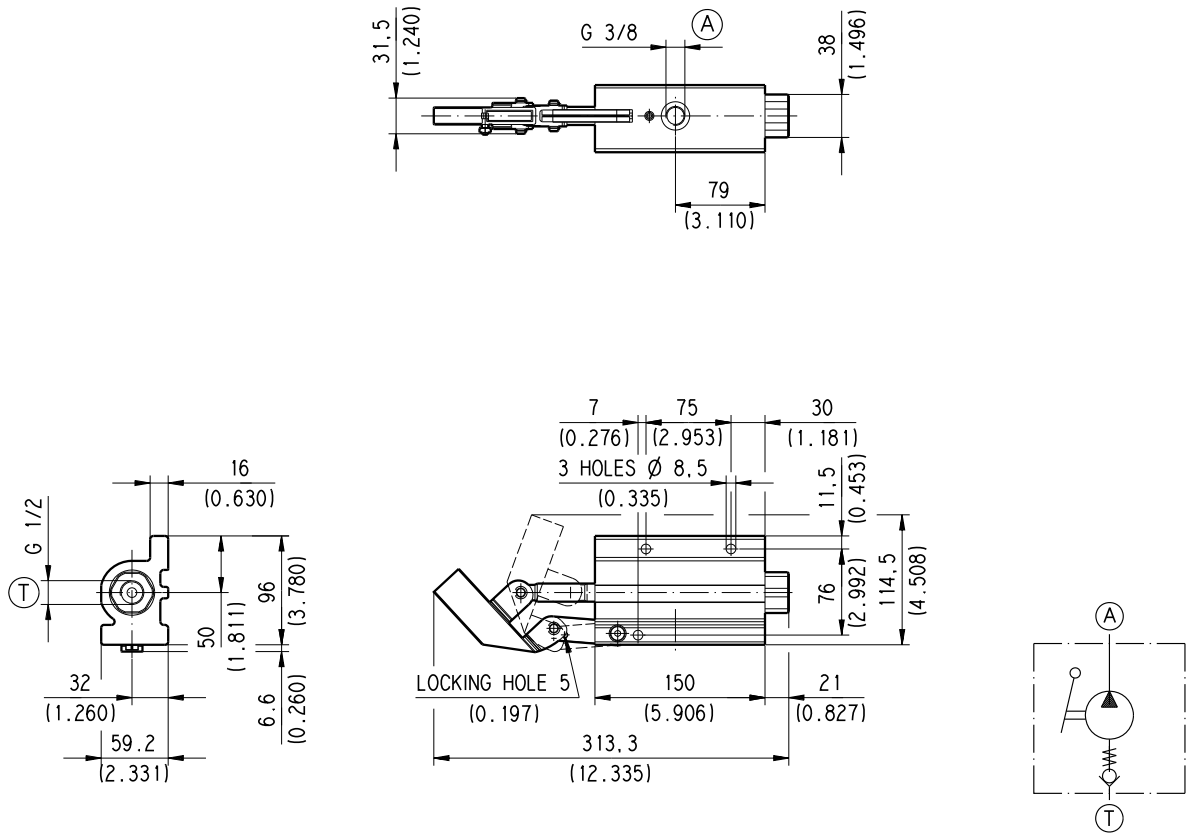
**○** 02/04.2015



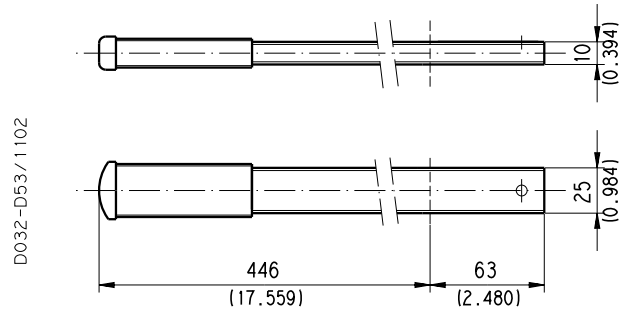
**EP 25 W/TXA - EP 25 W-../TXA**

**HAND PUMPS WITHOUT RESERVOIRS WITH ALUMINIUM BODY SIMPLIFIED VERSION**

D032-D51/1102



**Lever**



How to order (●)

**06004392**

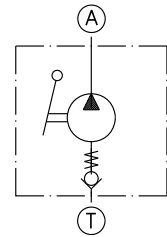
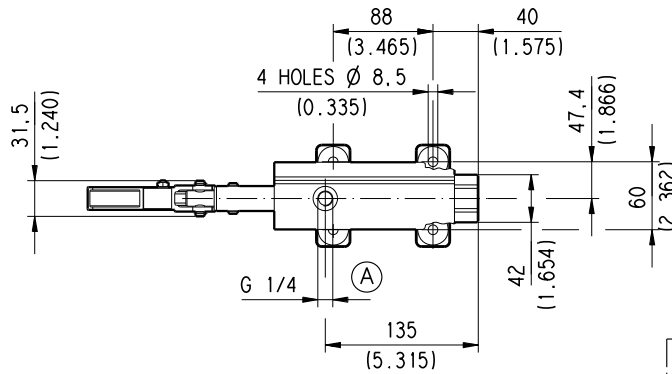
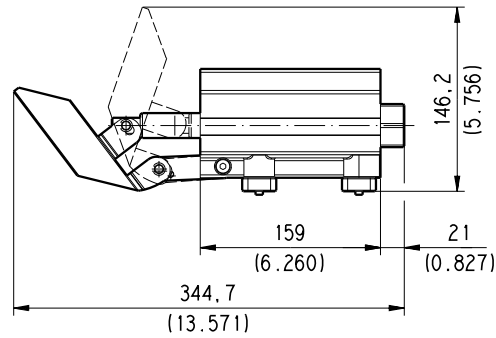
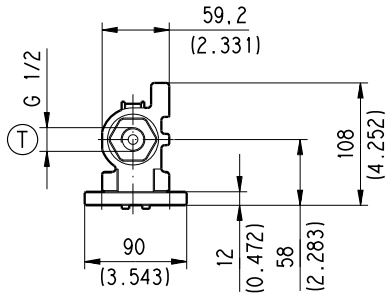
(●) Different lenght lever are available on request.

02/04.2015

How to order	Displacement cm <sup>3</sup> /cycle (cu in/cycle)	Max. pressure bar (psi)	Weight kg (lbs)
<b>EP 25 W/TXA</b>	25 (1.53)	250 (3625)	2,36 (5.20)
<b>EP 25 W/TXA</b>	Standard - Body without treatment		
<b>EP 25 W - R/TXA</b>	Body with anodizing red		
<b>EP 25 W - B/TXA</b>	Body with anodizing black		

**EP 45 W/TXA - EP 45 W-../TXA**

**HAND PUMPS WITHOUT RESERVOIRS WITH ALUMINIUM BODY SIMPLIFIED VERSION**



D032-D52/1102

Requires the lever code 06004390

02/04.2015

How to order	Displacement cm <sup>3</sup> /cycle (cu in/cycle)	Max. pressure bar (psi)	Weight kg (lbs)
<b>EP 45 W/TXA</b>	45 (2.75)	220 (3190)	3,00 (6.62)
<b>EP 45 W/TXA</b>	Standard - Body without treatment		
<b>EP 45 W - R/TXA</b>	Body with anodizing red		
<b>EP 45 W - B/TXA</b>	Body with anodizing black		

Our policy is one of continuous improvement in product. Specification of items may, therefore, be changed without notice.

EP 02 T A

Edition: 02/04.2015

Replaces: EP 01 T A  
EP 03 T E



Headquarters:  
**CASAPPA S.p.A.**  
Via Balestrieri, 1  
43044 Lemignano di Collecchio  
Parma (Italy)  
Tel. (+39) 0521 30 41 11  
Fax (+39) 0521 80 46 00  
*IP Videoconferencing*  
*E-mail: info@casappa.com*  
***www.casappa.com***

