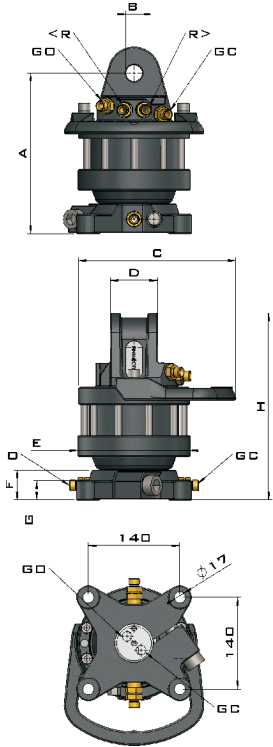
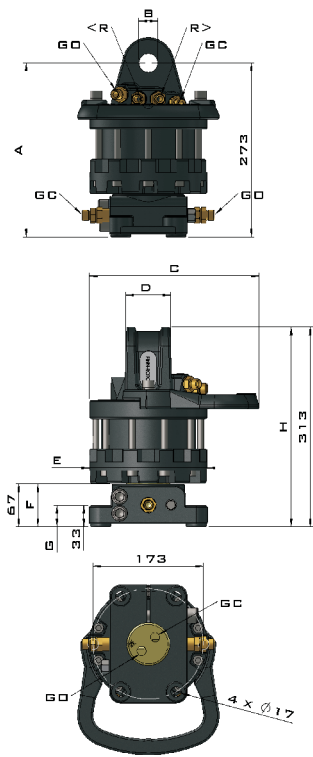


DIMENSIONS

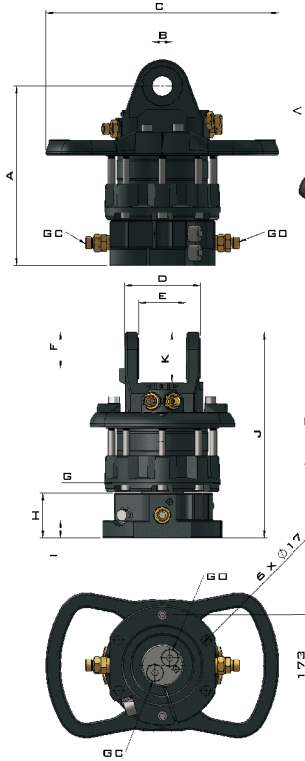
CR300F/400F



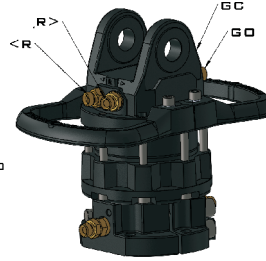
CR500F



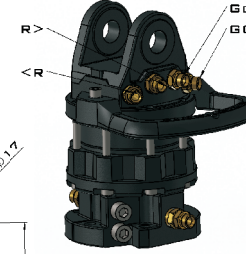
CR600F



CR 600FX



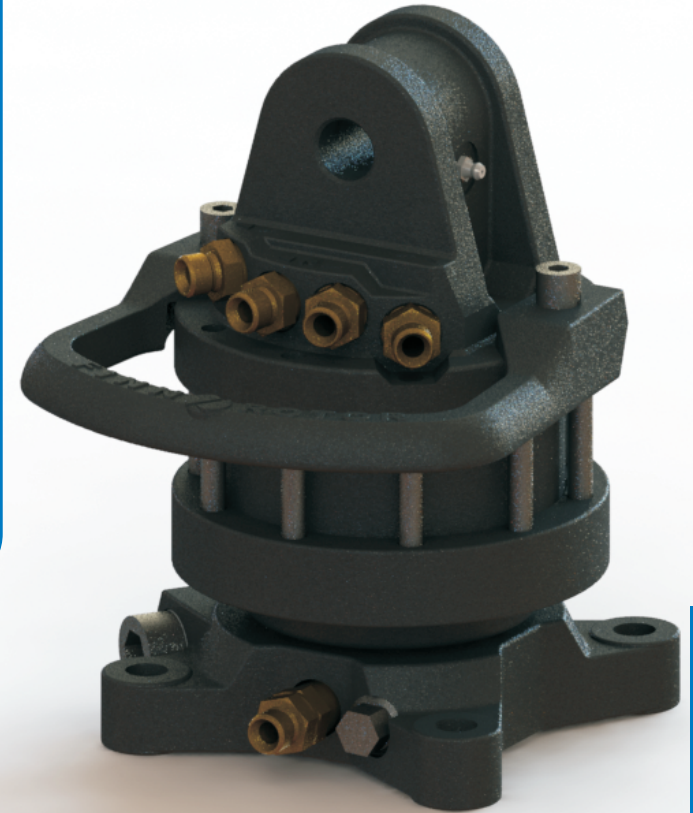
CR 600FW



CR 300F		CR 400F		CR 500F	
MM	IN	MM	IN	MM	IN
A	232	246	9,665	273	10,748
B	25	25	0,984	30	1,181
C	234	241	9,488	234	10,472
D	60	73	2,362	73	2,874
E	158	172	6,772	184	7,244
F	46	46	1,811	67	2,638
G	30	30	1,181	33	1,299
H	267	286	11,26	313	12,323

	MM	IN
A	308	12,126
B	35	1,378
C	400	15,748
D	130,5	5,138
E	80,5	3,169
F	62,5	2,461
G	198	7,795
H	77	3,301
I	30	1,181
J	353	13,898
K	87	3,425

* GO CHANNEL MARKED BY "O"



	CR 300F		CR 400F		CR 500F		CR 600F	
	UNLIMITED		UNLIMITED		UNLIMITED		UNLIMITED	
ROTATION ANGLE	UNLIMITED		UNLIMITED		UNLIMITED		UNLIMITED	
MAX PRES (R) [BAR/PSI]	250	3625	250	3625	250	3625	250	3625
MAX PRES (GO) [BAR/PSI]	200	2900	200	2900	200	2900	200	2900
MAX PRES (GC) [BAR/PSI]	300	4350	300	4350	300	4350	300	4350
DISPLACEMENT [CM ³ /IN ³]	330	19,8	420	25,2	465	27,9	465	27,9
TORQUE [NM/LBF IN]	900	664	1100	811	1400	1033	1800	1328
MAX AXIAL LOAD STAT [KN/LBF]	30	6744	40	8992	55	12365	60	13487
MAX AXIAL LOAD DYN [KN/LBF]	15	3372	20	4496	25	5620	30	6744
WEIGHT W-MODEL [KG/LB]	22	48,4	28	61,6	33	61,6	48	106
X-MODEL [KG/LB]							50	110
CONNECTIONS (TOP)	G3/8"	G3/8"	G3/8"	G3/8"	G3/8"	G3/8"	G1/2"	G1/2"
(BOTTOM)	G1/4"	G1/4"	G3/8"	G3/8"	G3/8"	G3/8"	G1/2"	G1/2"
REQ. OIL FLOW [LPM/GPM]	20	5,284	20	5,284	20	5,284	25	7

DATA

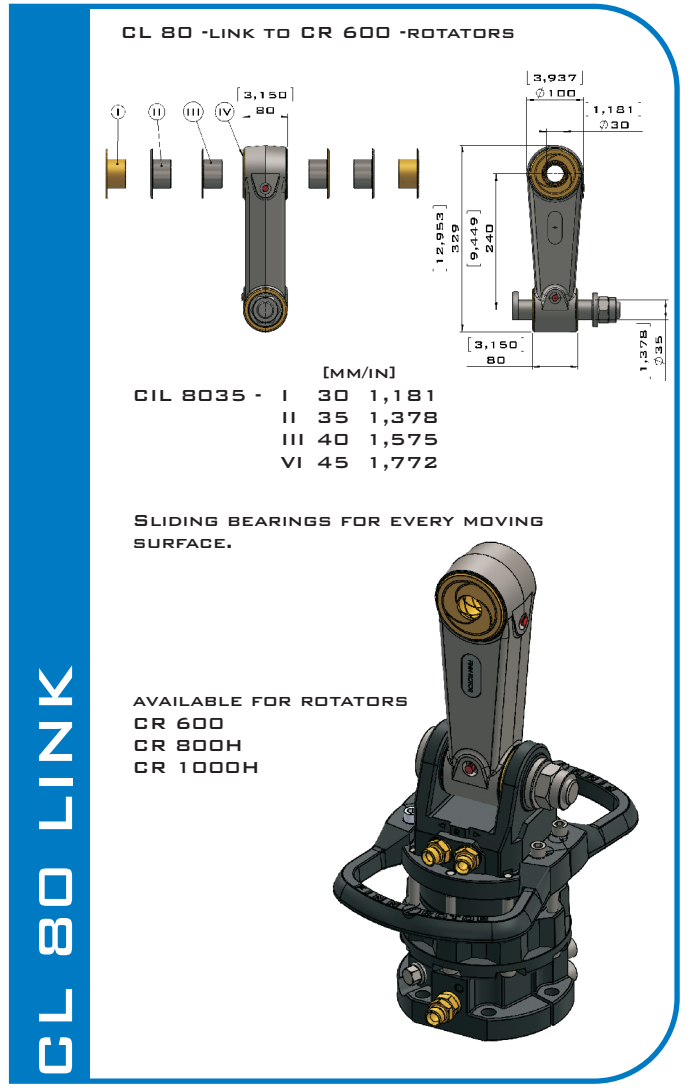
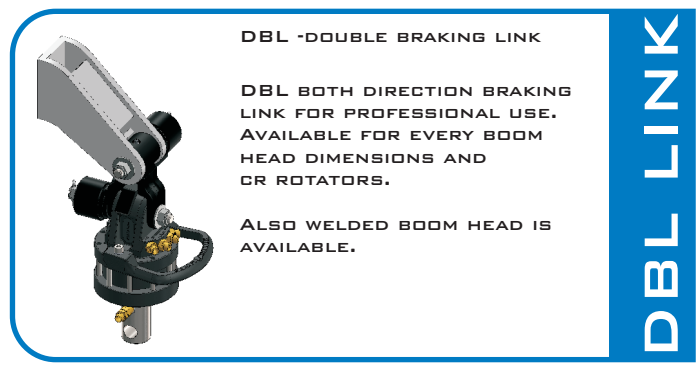
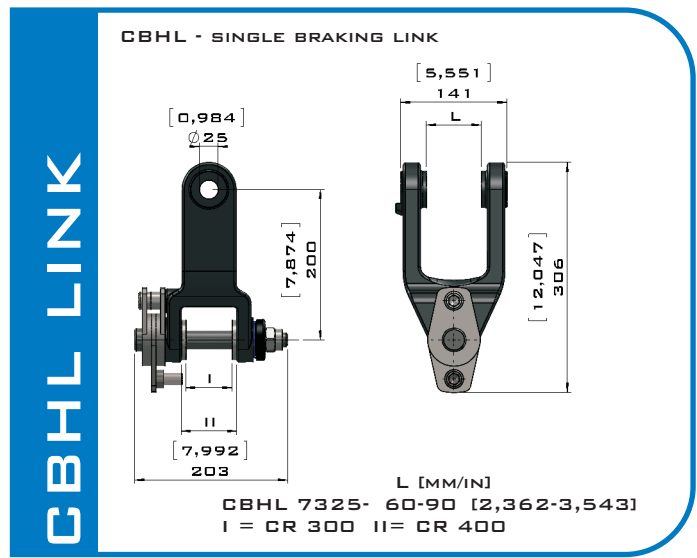
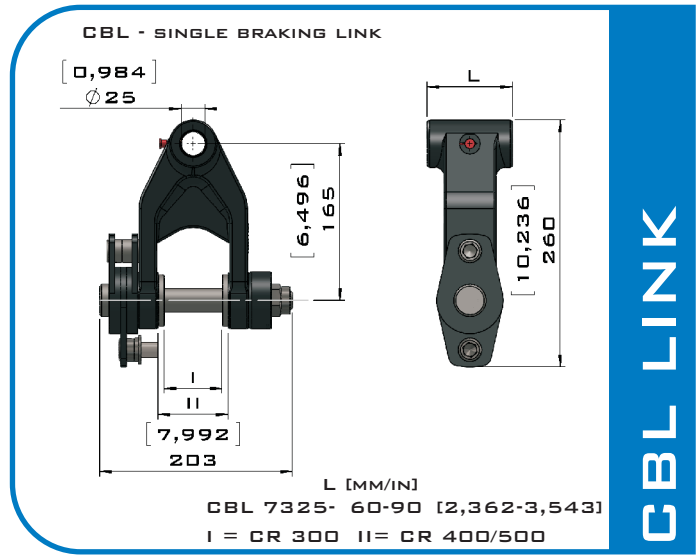
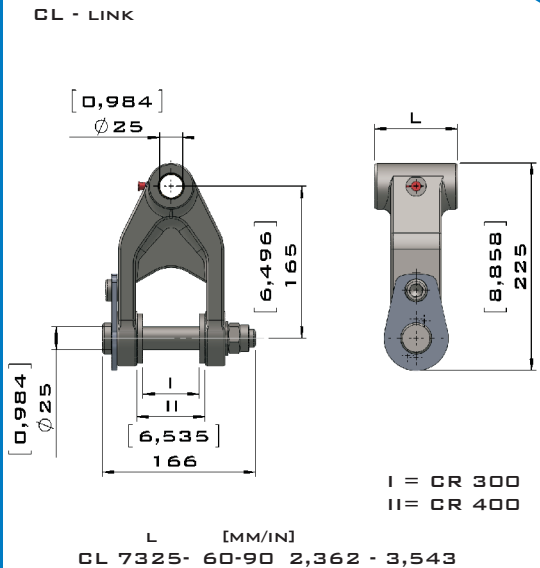
ENGLISH CR F ROTATORS



A LIGHT-WEIGHT AND EFFECTIVE HYDRAULIC ROTATORS WITH UNLIMITED ROTATION FOR AGRICULTURAL, CARGO AND FOREST CRANES.

CHOOSE GENUINE **FINN ROTOR** ORIGINAL ACCESSORIES TO ENSURE SMOOTH WORKING. FROM THE WIDE VARIETY, YOU WILL FIND ALL NECESSARY ACCESSORIES.

get Your crane moving!



WWW.FINN-ROTOR.COM
INFO@FINN-ROTOR.COM
+358 14 417 8400

PL 96,43101 SAARIJÄRVI
FINLAND