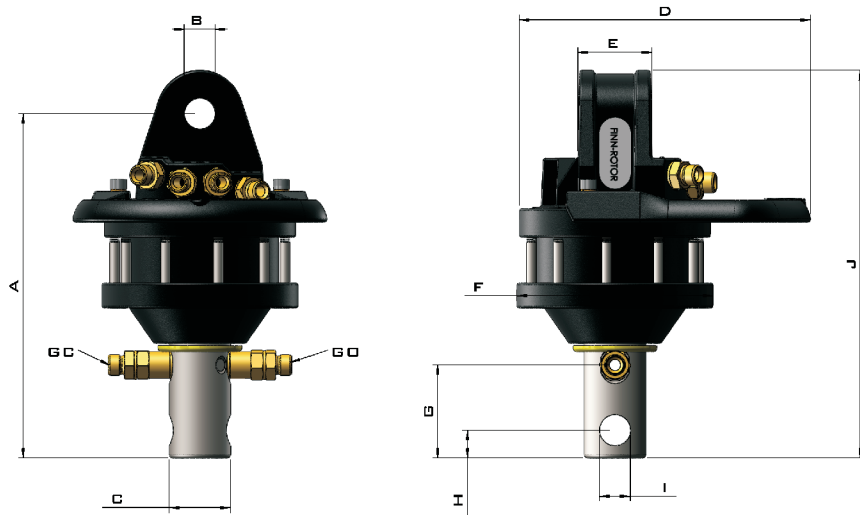


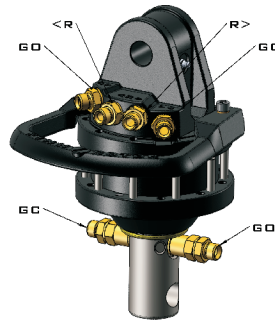
DIMENSIONS



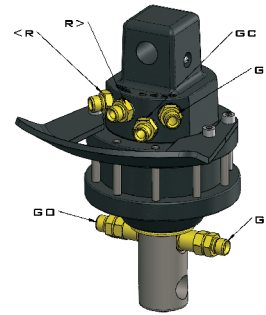
| CR 100 | | CR 300 | | CR 310 | | CR 320 | | |
|--------|-------|--------|-------|--------|------|--------|------|--------|
| MM | IN | MM | IN | MM | IN | MM | IN | |
| A | 238,5 | 9,390 | 277,5 | 10,925 | 285 | 11,220 | 285 | 11,220 |
| B | 25 | 0,984 | 25 | 0,984 | 25 | 0,984 | 25 | 0,984 |
| C | 39,5 | 1,555 | 49,5 | 1,949 | 49,5 | 1,949 | 49,5 | 1,949 |
| D | 194 | 7,638 | 239 | 9,409 | 240 | 9,449 | 239 | 9,409 |
| E | 45 | 1,772 | 60 | 2,362 | 60 | 2,362 | 60 | 2,362 |
| F | 137 | 5,394 | 158 | 6,220 | 158 | 6,220 | 158 | 6,220 |
| G | 59 | 2,323 | 75 | 2,953 | 75 | 2,923 | 75 | 2,953 |
| H | 19 | 0,748 | 22,5 | 0,886 | 22,5 | 0,886 | 22,5 | 0,886 |
| I | 20 | 0,787 | 25 | 0,948 | 25 | 0,984 | 25 | 0,984 |
| J | 268,5 | 10,571 | 312,5 | 12,303 | 316 | 12,441 | 316 | 12,441 |

| CR 400 | | CR 410 | | CR 500 | | |
|--------|-----|--------|-----|--------|------|--------|
| MM | IN | MM | IN | MM | IN | |
| A | 301 | 11,850 | 317 | 12,480 | 311 | 12,244 |
| B | 25 | 0,984 | 25 | 0,984 | 30 | 1,181 |
| C | 59 | 2,323 | 59 | 2,323 | 69 | 2,717 |
| D | 240 | 9,449 | 258 | 10,157 | 266 | 10,472 |
| E | 73 | 2,874 | 73 | 2,874 | 73 | 2,874 |
| F | 172 | 6,772 | 172 | 6,772 | 184 | 7,244 |
| G | 84 | 3,307 | 84 | 3,307 | 91,5 | 3,602 |
| H | 28 | 1,102 | 28 | 1,102 | 32 | 1,260 |
| I | 30 | 1,181 | 30 | 1,181 | 30 | 1,181 |
| J | 341 | 13,425 | 347 | 13,661 | 351 | 13,819 |

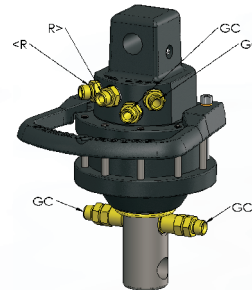
CR100/300/400/500



CR310/410



CR320



* GO CHANNEL MARKED BY "O"



CR A ROTATORS

| | CR 100 | | CR 300 | | CR 400 | | CR 500 | |
|--|-----------|-------|-----------|-------|-----------|-------|-----------|-------|
| | UNLIMITED | | UNLIMITED | | UNLIMITED | | UNLIMITED | |
| ROTATION ANGLE | | | | | | | | |
| MAX PRES (R) [BAR/PSI] | 250 | 3625 | 250 | 3625 | 250 | 3625 | 250 | 3625 |
| MAX PRES (GO) [BAR/PSI] | 200 | 2900 | 200 | 2900 | 200 | 2900 | 200 | 2900 |
| MAX PRES (GC) [BAR/PSI] | 300 | 4350 | 300 | 4350 | 300 | 4350 | 300 | 4350 |
| DISPLACEMENT [CM ³ /IN ³] | 139 | 11,58 | 330 | 19,8 | 420 | 25,2 | 465 | 27,9 |
| TORQUE [NM/LBF IN] | 450 | 332 | 900 | 664 | 1100 | 811 | 1400 | 1033 |
| MAX AXIAL LOAD STAT [KN/LBF] | 10 | 2248 | 30 | 6744 | 40 | 8992 | 55 | 12365 |
| MAX AXIAL LOAD DYN [KN/LBF] | 5 | 1124 | 15 | 3372 | 20 | 4496 | 25 | 5620 |
| WEIGHT [KG/LB] | 10 | 22 | 17 | 37,4 | 23 | 50,6 | 28 | 61,6 |
| (310/410) [KG/LB] | | | 16 | 35,2 | 22 | 48,4 | | |
| CONNECTIONS | G1/4" | G1/4" | G3/8" | G3/8" | G3/8" | G3/8" | G3/8" | G3/8" |
| REQ. OIL FLOW [LPM/GPM] | 10 | 2,642 | 20 | 5,284 | 20 | 5,284 | 20 | 5,284 |

DATA

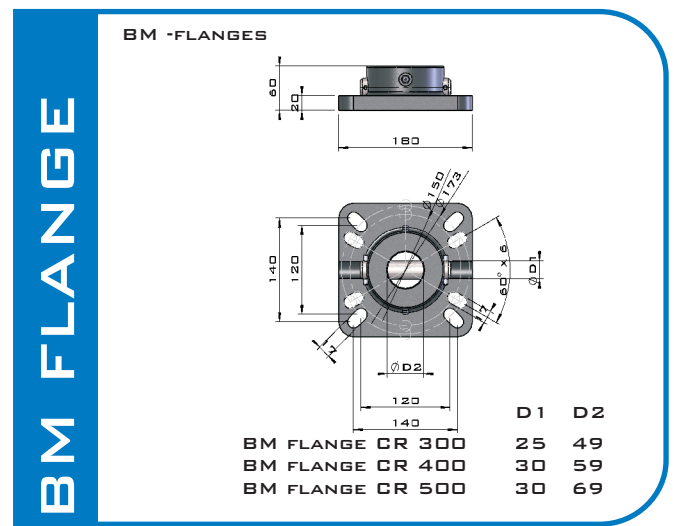
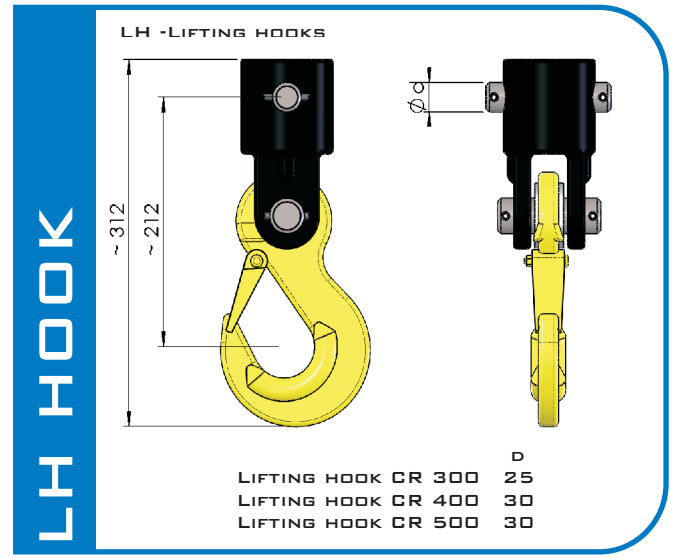
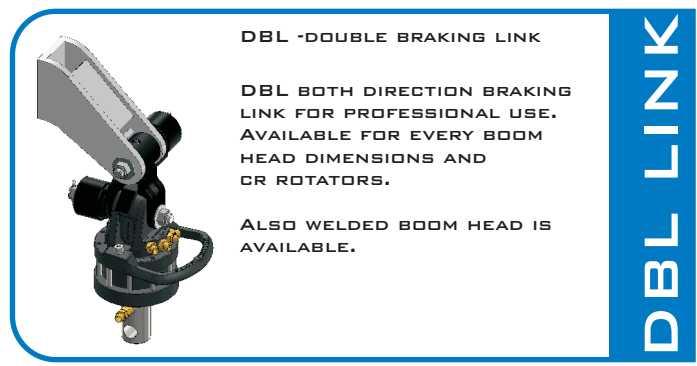
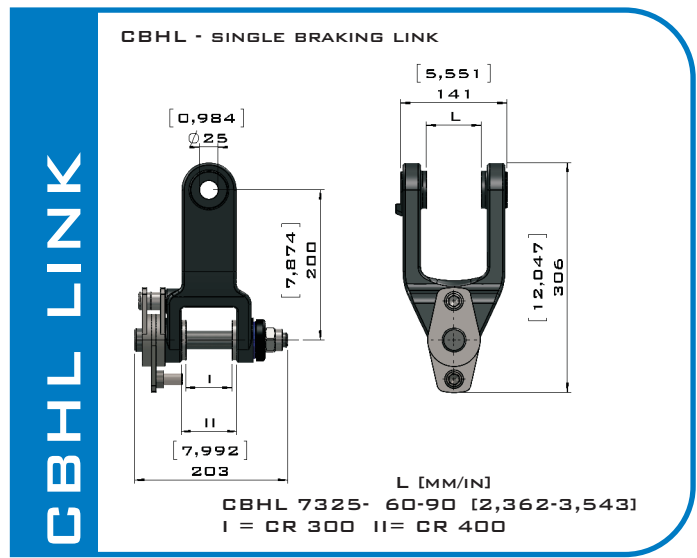
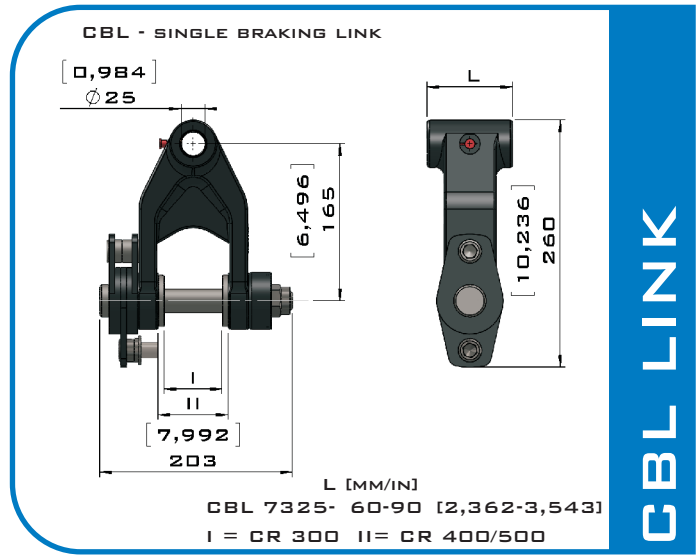
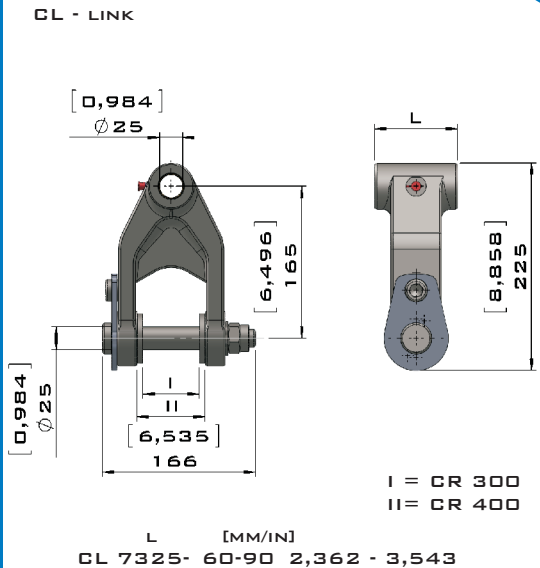
ENGLISH



A LIGHT-WEIGHT AND EFFECTIVE HYDRAULIC ROTATORS WITH UNLIMITED ROTATION FOR ATV, AGRICULTURAL AND CARGO CRANES.

CHOOSE GENUINE **FINN ROTOR** ORIGINAL ACCESSORIES TO ENSURE SMOOTH WORKING. FROM THE WIDE VARIETY YOU WILL FIND ALL NECESSARY ACCESSORIES.

get Your crane moving!



FINN ROTOR
get Your crane moving!
WWW.FINN-ROTOR.COM
INFO@FINN-ROTOR.COM
+358 14 417 8400
PL 96,43101 SAARIJÄRVI
FINLAND