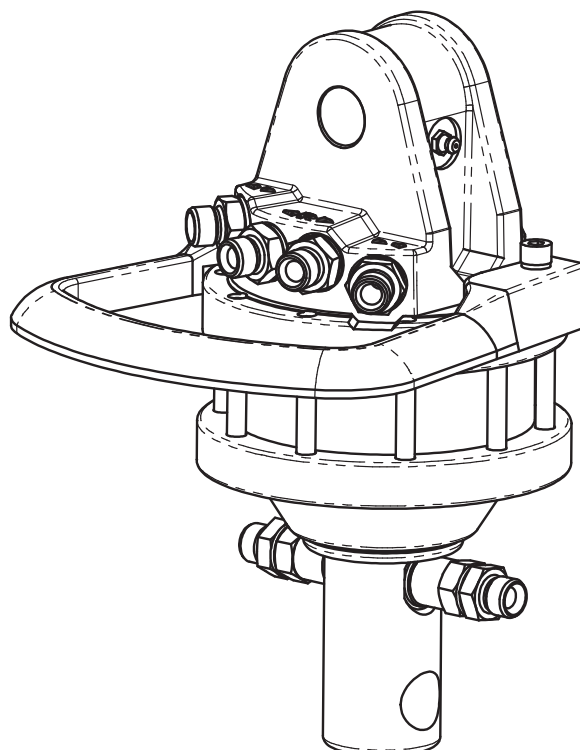
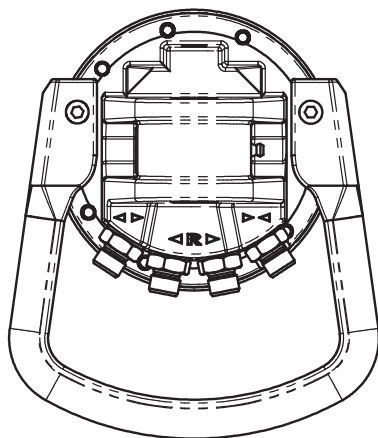
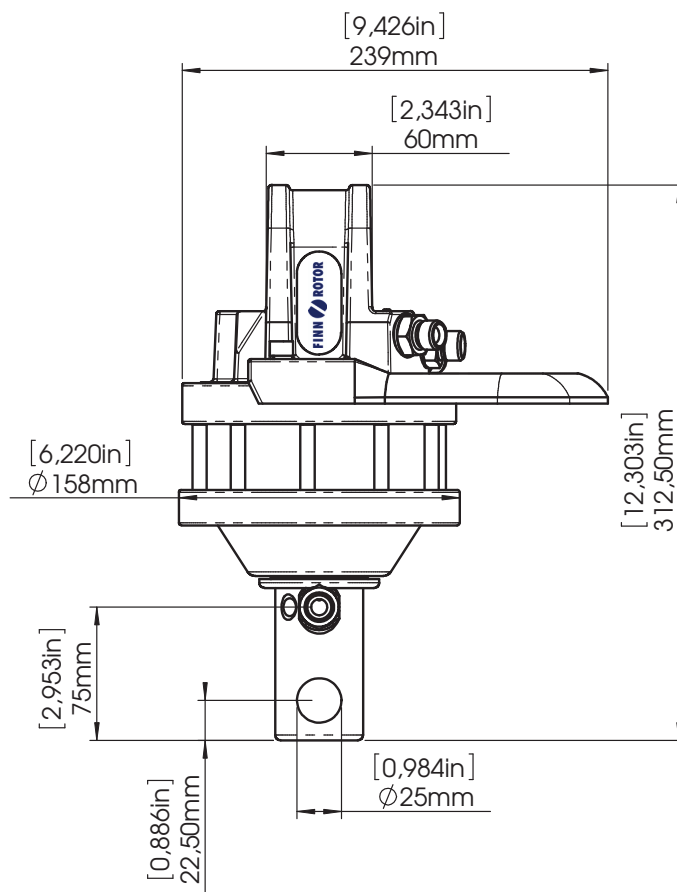
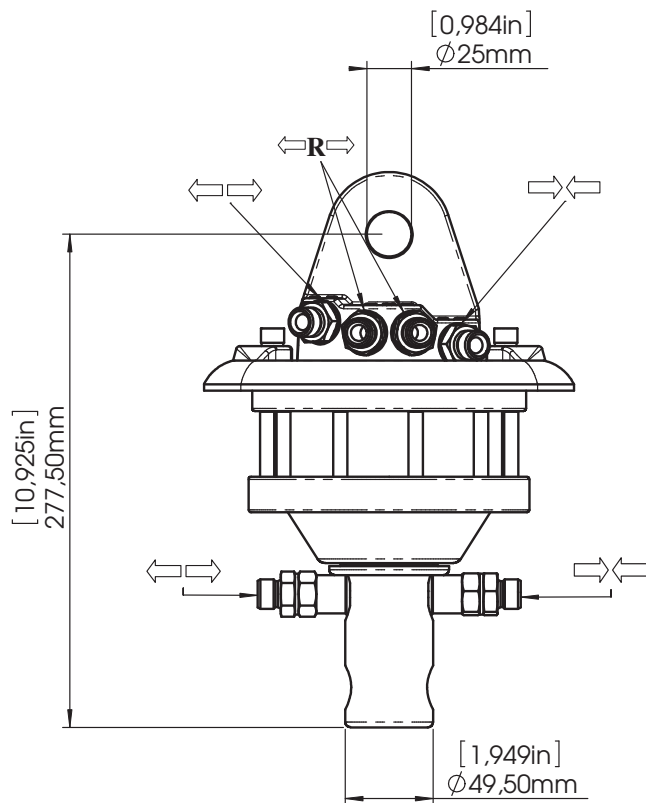


# Rotator CR 300



CR 300	
Rotation angle	Unlimited
Max. working pressure	250 bar
Displacement	330 cm <sup>3</sup>
Torque (250 bar)	900 Nm
Max. axial load static kN	30 kN
Max. axial load dynamic kN	15 kN
Weight	16 kg