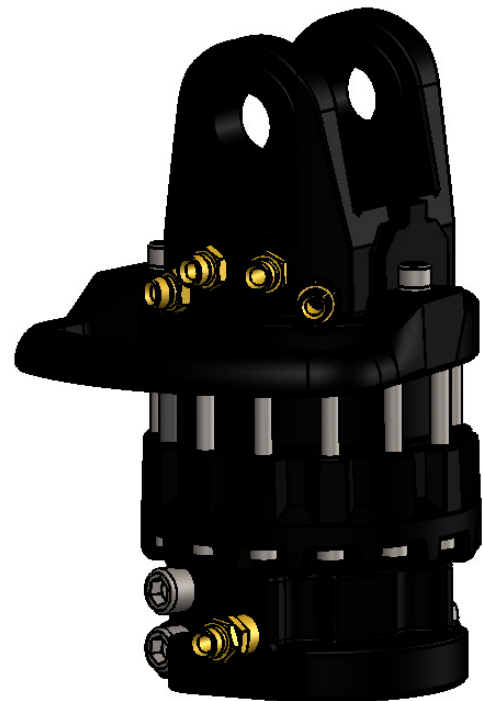
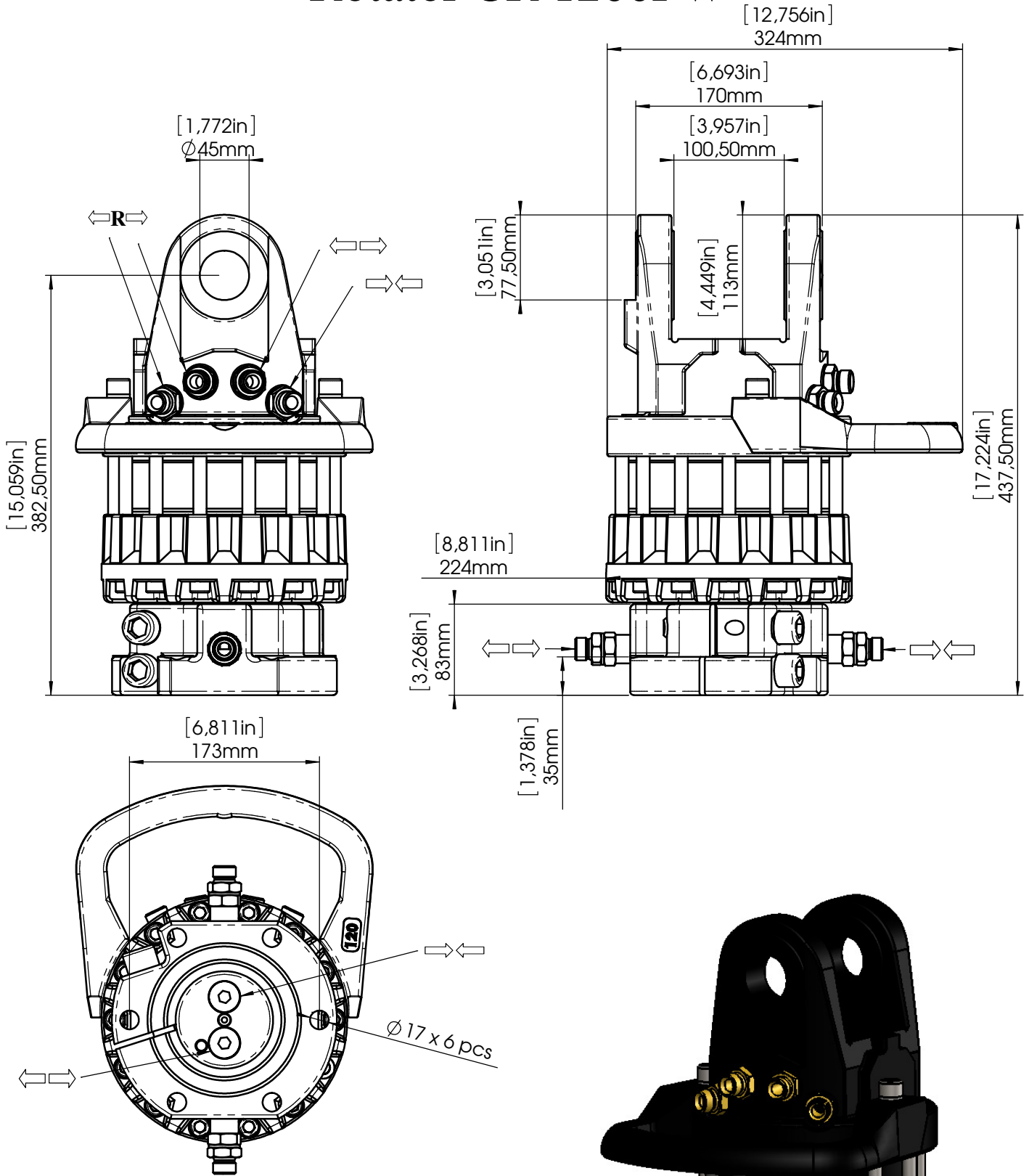


Rotator CR 1200FW



CR 1200FW	
Rotation angle	Unlimited
Max. working pressure (rotation)	250 bar
Max. working pressure (open line)	300 bar
Max working pressure (close line)	300 bar
Displacement	949 cm ³
Torque (250 bar)	2900 Nm
Max. axial load static kN	120/-90 kN
Max. axial load dynamic kN	60/-45 kN
Weight	76 kg
Connections	G1/2"