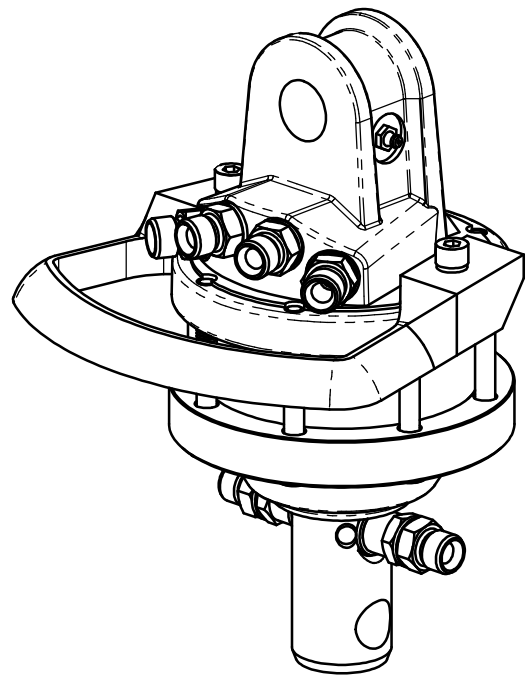
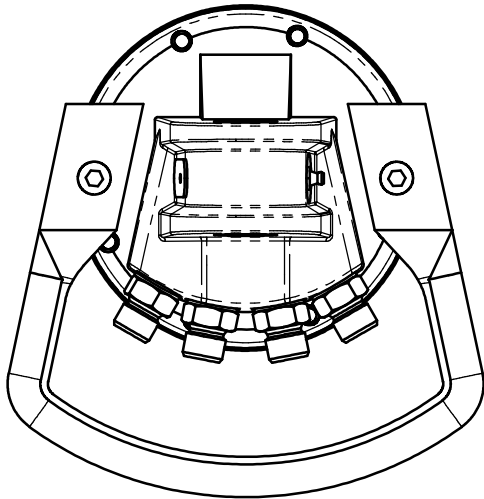
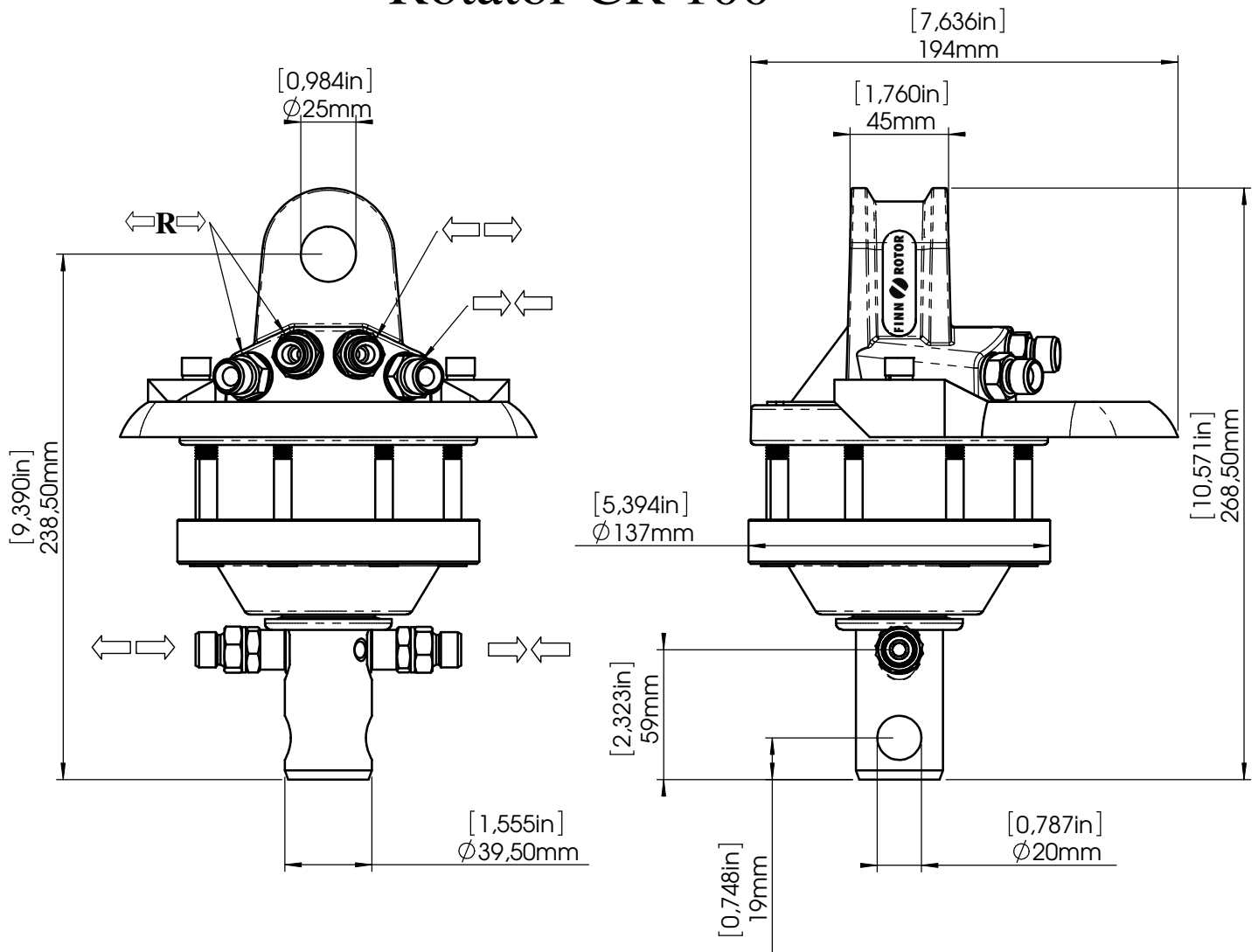


Rotator CR 100



CR 100	
Rotation angle	Unlimited
Max. working pressure	250 bar
Displacement	193 cm ³
Torque (250 bar)	450 Nm
Max. axial load static	10 kN
Max. axial load dynamic	5 kN
Weight	10 kg