

NEW

AMH

WALVOIL Agriculture Multifunction Handle



A member of



 **walvoil**
FLUID POWER E|MOTION

AMH WALVOIL Agriculture Multifunction Handle



- Ergonomic design
- Customizable configuration
- Ideal for different Agricultural applications
- Up to 10 push-button and 1 proportional roller

The new handle AMH (Agriculture Multifunction Handle) has been developed by WALVOIL to combine the requirements of ergonomics and functionality, for different agriculture applications.

Its reduced dimensions and the shape of the handle make it suitable for an intensive use, ensuring high levels of comfort for the operator.

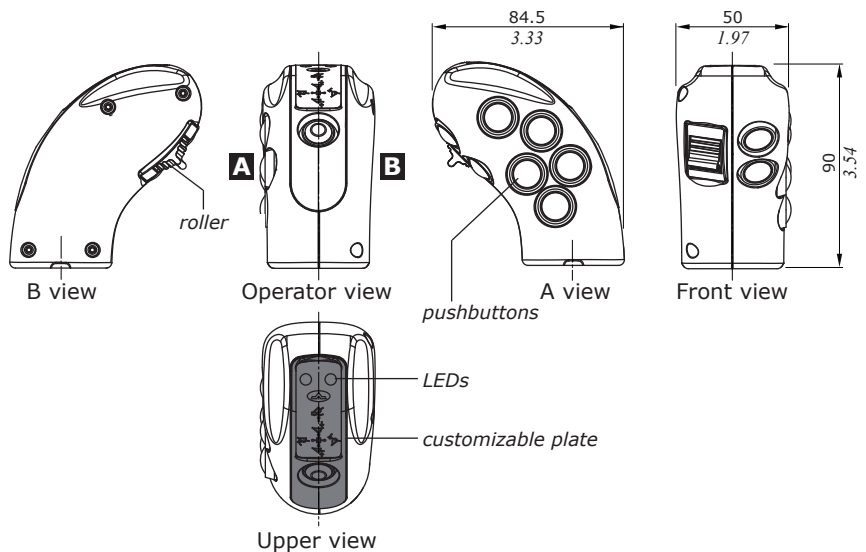
The handle can be handled in different ways. The operator can find out the best hand position on it.

The grip can be configured with one roller and a high number of pushbuttons, up to ten, giving the operator the possibility to control the complete machine functionality just with one hand.

A few LEDs offer to the operator a very quick and simple indication about the status of the system.

The handle can be customized with the logo of the final customer and the main functionalities of the machine as well.

Configuration example nr.1



Configuration example nr.2

