



# PRODUCT REFERENCE GUIDE

**MECHANICAL AND ELECTRICAL** DIVISION

**FIRST EDITION**

A TRADITION OF EXCELLENCE  
SINCE 1969

# INDEX

---

|   |     |
|---|-----|
| SOLUTIONS PROVIDER .....                    | 4   |
| GEARBOXES .....                             | 21  |
| REDUCERS .....                              | 51  |
| P.T.O. ....                                 | 69  |
| BEARINGS .....                              | 99  |
| CHAINS .....                                | 187 |
| SPROCKETS .....                             | 219 |
| BELTS .....                                 | 279 |
| PULLEYS.....                                | 295 |
| BUSHINGS.....                               | 343 |
| ELECTRICAL GROUP.....                       | 371 |
| ACTUATORS .....                             | 407 |
| AXLES.....                                  | 425 |
| JACKS.....                                  | 447 |
| WHEELS.....                                 | 465 |
| OUR OFFICIAL PARTNERS.....                  | 494 |
| THE CANIMEX GROUP : INFINITE SOLUTIONS..... | 495 |

## WORLD-CLASS OEM SOLUTIONS PROVIDER SINCE 1969

Canimex's Mechanical and electrical division remains the reference for original equipment manufacturer (OEM) power transmission components. We stay ahead of market trends through research and development, and our partners benefit from our expertise with innovative products and procedures.

### WHAT MAKES US DIFFERENT?

As a member of an integrated group, we are much more than a supplier of components. We provide comprehensive and custom solutions, as well as design, quality management, packaging, storage, handling, transportation and customs clearance services. Our commitment to offering you the best service has been our hallmark since 1969.



## WORLD-CLASS SOLUTIONS PROVIDER

### OUR MISSION

To innovate and to excel in power transmission in order to propel your projects.





# HAVING TROUBLE LAUNCHING NEW PRODUCTS?

## PRODUCT DEVELOPMENT

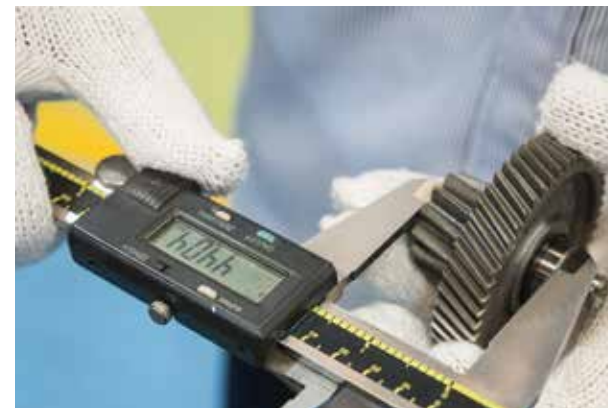
---

Launching new products is critical to your growth, competitiveness and visibility. Many challenges may impact your development of new products (i.e., lack of resources, too many projects, short schedule).

### OUR SOLUTIONS

- Engineering expertise
- Customizable test bench
- Technical reports adapted to your needs
- Direct access to up to 2,000 partnerships in more than 70 countries
- New product introduction process (stage gates)
- Validation and prototyping
- Cost reduction and optimization

Canimex is the perfect partner for your new products.





# LIMITED TECHNICAL EXPERTISE?

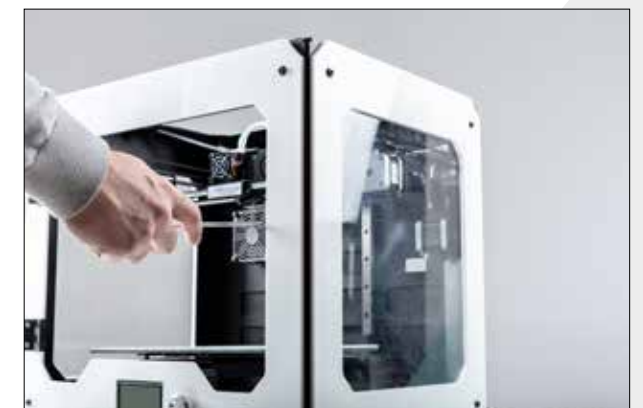
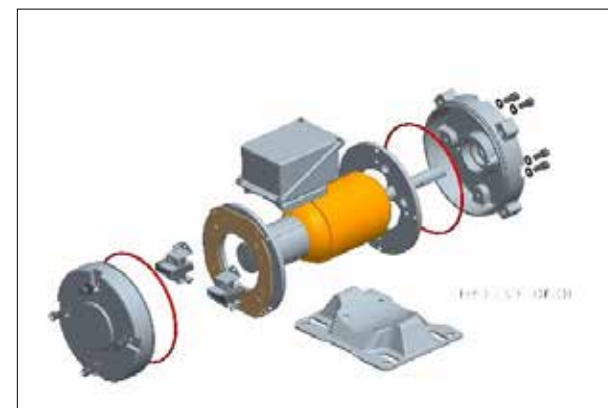
## TECHNICAL EXPERTISE

Whether you are facing a shortage of engineers, a lack of expertise, an inability to find a technical solution or simply too many projects in progress, Canimex has the knowledge, experience and tools to help you.

### OUR SOLUTIONS

- Complete engineering offer
- Expert advice
- 3D prototyping and modelling
- On-site test bench, instrumentation on your site
- Reverse engineering services
- The latest technical 3D drawing and simulation software
- Project management
- Compliance with a variety of industry standards (CSA, UL, IEC, ASME, ANSI, AGMA, etc.)

Canimex can fulfill your engineering and technical support needs so you can focus on building your success.





# SUPPLY CHAIN ISSUES?

## LOGISTICS

Storage limits, high-cost of inventory, hard to implement just-in-time processes, as well as lack of international logistics and customs clearance knowledge are major challenges impacting operating costs.

### OUR SOLUTIONS

- Storage locations across the world
- Internal customs clearance department offering complete services
- Supply services adapted to your needs
- Product release matching your production demands
- Solid network of partnerships specializing in sea, air, land, and rail transport
- Customer service experts for your just-in-time needs
- Quality control

Canimex has the capabilities to ensure that your orders will reach their destination on time.





# LACKING PURCHASING POWER?

## PROCUREMENT

---

High costs and lack of knowledge or negotiating power when purchasing from suppliers will impact your overall purchasing strategy and can increase your costs.

### OUR SOLUTIONS

- Team located in North America and China
- Complete and well-established supply partners across the globe
- Storage capacity close to 2 million square feet
- Warehousing strategically located around the globe

Canimex can regroup all your purchasing needs and give you the opportunity to purchase higher volumes in order to significantly lower your costs. We offer a complete sourcing solution so you do not need to worry about managing multiple suppliers or quality and inventory costs. Dedicate yourself to your products and markets knowing that your supply chain is actively managed by a world-class organization.





# LIMITED PRODUCTION CAPACITIES?

## MANUFACTURING

Whether the limit is a lack of resources, or floor space capacity, Canimex can help you overcome it. We offer strong partnerships, subcontracting opportunities, and efficient assembly lines.

### OUR SOLUTIONS

- Assembly department on-site
- Solid partnerships across industries
- International subcontracting
- In-house fields of expertise (mechanical, electrical, hydraulic, electronic, mechanically welded parts, aluminium die casting, machining, sheet metal transformation, laser cutting, robotized welding, etc.)

Canimex offers highly diversified and complementary services to help execute your projects from design to delivery.





# DIFFICULTIES COMPLYING WITH QUALITY STANDARDS?

## QUALITY

Inadequate quality controls, products not conforming to your standards and needs, or a bad purchasing experience are signs of challenges with quality standard compliance that can cause many complications in the future.

### OUR SOLUTIONS

- Team dedicated to quality verification
- Strict standards complying with the highest industrial criteria
- Team of quality inspectors, including on-site at our suppliers premises
- Wide variety of precision measurement instruments
- Solid quality management system
- Technical support and after-sale service
- Certified ISO 9001 : 2015

Canimex is the best partner to guarantee that you will only receive the highest quality products.





# DO YOU WANT TO GO GREEN?



## ELECTRIFICATION

Battery-powered vehicles offer many benefits over combustion engines: no emissions, silent operation, energy efficient and low maintenance costs. However, selecting and integrating the right components for an optimized electric power train can be a challenging and time-consuming task. Whether it is for industrial equipment, construction, agricultural machinery, compact urban vehicles, or any other electrification project, the Canimex electrification team is your trusted partner.

### OUR SOLUTIONS

- Exclusive partnerships in the electrification industry
- Solid technical expertise
- Project management team
- Testing capabilities
- High-quality standards

Vehicle electrification is a new trend but the future standard. Canimex can help you get there first. Our complete solutions include transaxles, wheel drives, electric motors, controllers with basic programming, and other accessories. Working with renowned global component manufacturers, our electrical engineering team can design the most reliable and customized solutions dedicated to your applications. As a partner and solutions provider, we will support you from A to Z in the electrification of your equipment. Get started by contacting us.

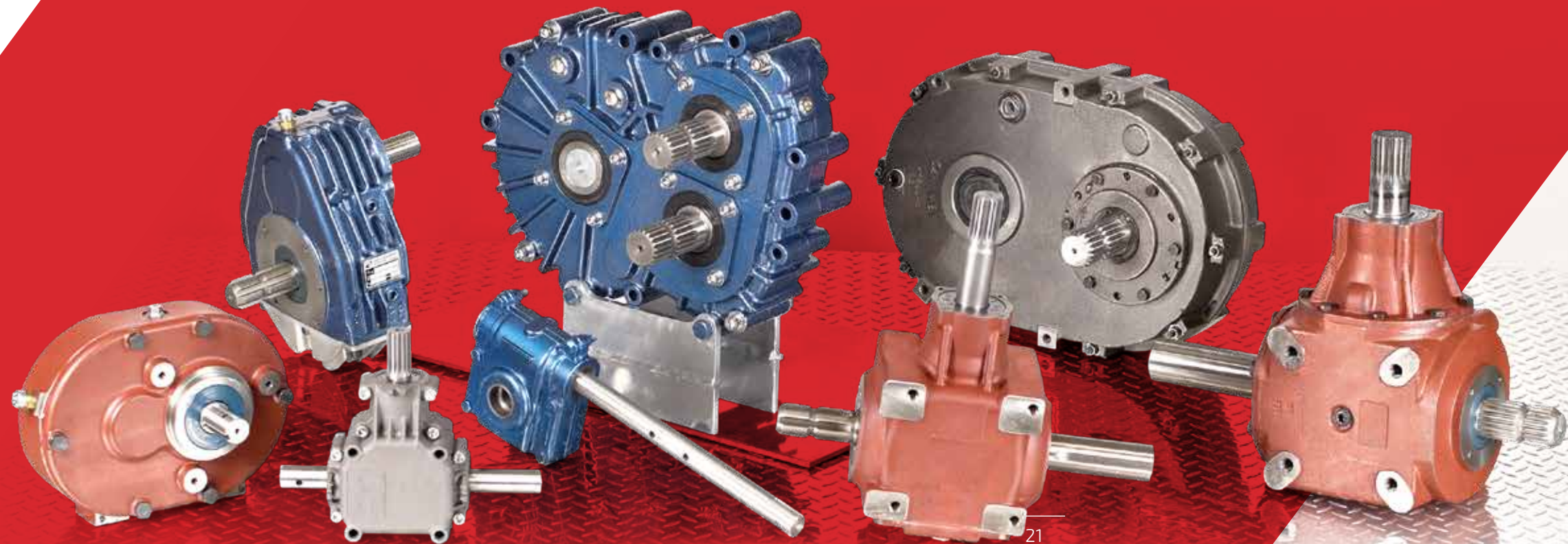




# GEARBOXES

---

- Full engineering support
- High inventory
- Innovative and highly efficient designs
- Designs adapted to specific applications
- Customized test bench
- Many options available



# TABLE OF CONTENTS

## GEARBOXES

|   |    |
|---|----|
| Parallel axis series .....  | 24 |
| Right angle series .....  | 27 |
| Bevel helical reducer .....   | 29 |
| In-line helical gearbox .....   | 32 |
| Shaft-mount – PT helical reducer .....                                  | 34 |
| Skew reducer – Right angle helical gearbox .....                        | 37 |
| Vertical mixer series .....   | 39 |
| Canimex custom gearboxes .....  | 40 |
| RXP series – Industrial shaft-mount parallel axis helical reducer ..... | 41 |
| RXO series – Industrial bevel helical reducer .....                     | 44 |
| PG / PGA – Comer planetary gearbox .....                                | 47 |
| Vertical planetary mixer .....  | 48 |

## GEARBOXES

- All-purpose gearboxes for both industrial and agricultural applications such as track drives, winch drives, mower bars and manure spreaders
- Ratios from 1:1 to 3000:1
- Output torque from 15 Nm to 100,000 Nm
- Parallel or angular configurations available





## GEARBOXES

## PARALLEL AXIS SERIES – COMER



| Model size | Ratio        | Input power  | Output torque | Input RPM | Weight | Height | Width | Length | Applications  |
|------------|--------------|--------------|---------------|-----------|--------|--------|-------|--------|---|
|            | I            | HP           | Lb-in         | RPM       | lb     | cm     | cm    | cm     |   |
| A-1A       | 7.80         | 16.0         | 239           | 540       | 24     | 224.5  | 165   | 99     | Miscellaneous applications  |
| A-20A      | 1.88         | 75.0         | 8505          | 1000      | 57     | 287.5  | 260   | 240    | Miscellaneous applications  |
| RH-60Z     | 1.23 to 6.00 | 9.0 to 45.0  | 455 to 5530   | 540       | 40     | 287    | 214   | 137    | Miscellaneous applications<br>Post hole diggers<br>Centrifugal pumps for irrigation<br>Hammer mills<br>Lagoon pumps |
| A-4A       | 1 to 7.00    | 12.0 to 90.0 | 1000 to 9500  | 540       | 90     | 348    | 292   | 134    | Miscellaneous applications<br>Hammer mills<br>Centrifugal pumps for irrigation                                      |
| A-624A     | 3.50 to 6.90 | 10.1 to 42.9 | 557 to 7753   | 540       | 38     | 319    | 253   | 111.5  | Miscellaneous applications<br>Centrifugal pumps for irrigation<br>Hammer mills                                      |
| A-624C     | 3.50 to 6.90 | 29.9 to 40.8 | 641 to 2186   | 540       | 48     | 391    | 308   | 186.5  | P.T.O. generators   |
| MR-90      | 1.0 to 1.90  | 42.0 to 87.0 | 5115 to 9505  | 540       | 60     | 347    | 220   | 131    | Miscellaneous applications  |

## GEARBOXES

## PARALLEL AXIS SERIES – HELICAL REDUCERS – PERFORMANCE AT 1400 RPM



| Model size | Ratio* | Input power | Output torque | Thermal limit w/o cooling | Applications   |    |  |
|------------|--------|-------------|---------------|---------------------------|--|----|--|
|            | I      | kW          | Nm            | HP                        |  |    |  |
| 25/3       | 17.2   | 0.91        | 100           | 5.5                       |  |    |  |
|            | 27.4   | 0.58        | 100           |                           |  |    |  |
|            | 42.6   | 0.37        | 100           |                           |  |    |  |
|            | 75.5   | 0.21        | 100           |                           |  |    |  |
|            | 135.3  | 0.12        | 100           |                           |  |    |  |
| 25/4       | 254.1  | 0.06        | 100           |                           |  |    |  |
|            | 280.1  | 0.06        | 100           |                           |  |    |  |
|            | 327.1  | 0.05        | 100           |                           |  |    |  |
|            | 440.4  | 0.04        | 100           |                           |  |    |  |
|            | 586.4  | 0.03        | 100           |                           |  |    |  |
|            | 813.8  | 0.02        | 100           |                           |  |    |  |
| 45/3       | 1101   | 0.01        | 100           | 9                         |  |    |  |
|            | 28.7   | 1.4         | 250           |                           |  |    |  |
|            | 45.7   | 0.86        | 250           |                           |  |    |  |
|            | 70.6   | 0.56        | 250           |                           |  |    |  |
|            | 100.7  | 0.39        | 250           |                           |  |    |  |
|            | 152.9  | 0.26        | 250           |                           |  |    |  |
| 45/4       | 232    | 0.17        | 250           |                           |  |    |  |
|            | 301.6  | 0.13        | 250           |                           |  |    |  |
|            | 430.4  | 0.09        | 250           |                           |  |    |  |
|            | 566.8  | 0.07        | 250           |                           |  |    |  |
|            | 653.3  | 0.06        | 250           |                           |  |    |  |
| 65/3       | 991.4  | 0.04        | 250           | 11                        | Conveyors<br>Telescopic boom lifts<br>Windrowers<br>Rotary disc headers<br>Crushers<br>Mixers<br>Agitators |    |  |
|            | 26.4   | 3.6         | 600           |                           |  |    |  |
|            | 46     | 2.1         | 600           |                           |  |    |  |
|            | 74.4   | 1.3         | 600           |                           |  |    |  |
|            | 116.2  | 0.81        | 600           |                           |  |    |  |
| 85/3       | 197.9  | 0.48        | 600           |                           |  |    |  |
|            | 23.8   | 5.3         | 800           |                           |  |    |  |
|            | 74     | 2.6         | 1200          |                           |  |    |  |
|            | 160    | 1.2         | 1200          |                           |  |    |  |
| 95/3       | 270    | 0.7         | 1200          |                           |  | 15 |  |
|            | 23.6   | 10.7        | 1600          |                           |  |    |  |
|            | 54.7   | 6           | 2100          |                           |  |    |  |
|            | 86     | 4.4         | 2400          |                           |  |    |  |
|            | 158.9  | 2.4         | 2400          |                           |  |    |  |
| 105/3      | 266.2  | 1.4         | 2400          |                           |  |    |  |
|            | 20.6   | 19          | 2500          |                           |  |    |  |
|            | 38.5   | 11.3        | 2800          |                           |  |    |  |
|            | 70.7   | 6.4         | 2900          |                           |  |    |  |
| 115/3      | 110.5  | 4.7         | 3300          | 22                        |  |    |  |
|            | 185.2  | 2.9         | 3500          |                           |  |    |  |
|            | 26.9   | 24.3        | 4200          |                           |  |    |  |
|            | 49.7   | 15.1        | 4800          |                           |  |    |  |
|            | 87.2   | 8.8         | 4900          |                           |  |    |  |
|            | 148.2  | 5.3         | 5000          |                           |  |    |  |
| 125/3      | 290    | 2.7         | 5000          |                           |  | 30 |  |
|            | 22.4   | 48          | 6900          |                           |  |    |  |
|            | 43.8   | 26.7        | 7500          |                           |  |    |  |
|            | 97.6   | 12          | 7500          |                           |  |    |  |
| 135/3      | 189.1  | 6.2         | 7500          | 35                        |  |    |  |
|            | 19.1   | 73.6        | 9000          |                           |  |    |  |
|            |        |             |               | 44.5                      |  |    |  |
|            |        |             |               | 54                        |  |    |  |

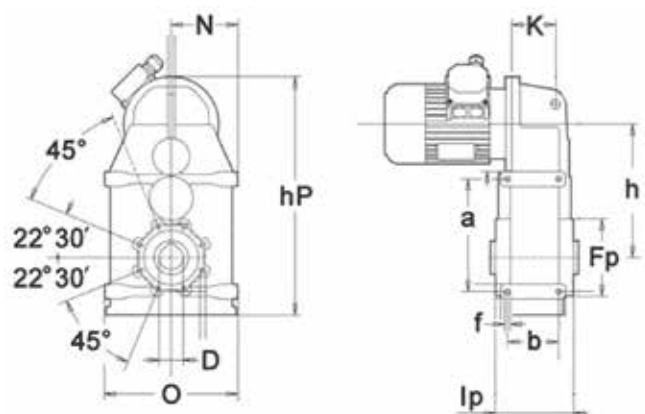


## GEARBOXES

PARALLEL AXIS SERIES – HELICAL REDUCERS – PERFORMANCE AT 1400 RPM



| Model size | Dimensions mm |     |      |       |       |       |     |     |          |     |     | Weight |
|------------|---------------|-----|------|-------|-------|-------|-----|-----|----------|-----|-----|--------|
| PL series  | hP            | O   | Ip   | N     | h     | K     | Fp  | a   | f        | b   | D   | lb     |
| 25/3       | 225           | 122 | 96.5 | 61    | 125   | 95    | 100 | 115 | M8 x 12  | 60  | 20  | 10     |
| 25/4       | 225           | 122 | 96.5 | 61    | 135   | 95    | 100 | 115 | M8 x 12  | 60  | 20  | 10     |
| 45/3       | 276           | 154 | 118  | 77    | 155   | 112.5 | 110 | 130 | M10 x 15 | 70  | 30  | 27     |
| 45/4       | 276           | 154 | 118  | 77    | 167.5 | 112.5 | 110 | 130 | M10 x 15 | 70  | 30  | 28     |
| 65/3       | 355           | 196 | 115  | 98    | 196   | 124.5 | 120 | 165 | M8 x 16  | 75  | 35  | 40     |
| 85/3       | 422           | 223 | 140  | 111.5 | 237   | 15.5  | 150 | 190 | M12      | 95  | 45  | 81     |
| 95/3       | 528           | 273 | 163  | 136.5 | 298   | 151.5 | 200 | 240 | M14      | 110 | 55  | 121    |
| 105/3      | 554           | 305 | 240  | 152.5 | 311   | 152   | 210 | 260 | M16 x 30 | 140 | 60  | 224    |
| 115/3      | 666           | 345 | 265  | 172.5 | 372   | 197   | 240 | 285 | M16 x 30 | 190 | 70  | 337    |
| 125/3      | 793           | 411 | 290  | 205.5 | 432   | 197   | 275 | 330 | M20 x 35 | 230 | 90  | 587    |
| 135/3      | 886           | 460 | 330  | 230   | 487   | 197   | 310 | 400 | M30 x 50 | 270 | 100 | 748    |



## GEARBOXES

RIGHT ANGLE SERIES



| Model size | Ratio        | Input power   | Output torque | Input RPM | Weight | Height | Width | Lenght | Applications  |
|------------|--------------|---------------|---------------|-----------|--------|--------|-------|--------|---|
|            | I            | HP            | lb-in         | RPM       | lb     | cm     | cm    | cm     |   |
| L-5A       | 1.35 to 5.00 | 3.9 to 14.9   | 265 to 2009   | 540       | 18     | 142    | 120   | 178    | Miscellaneous applications<br>Flail mowers<br>Circular saws |
| L-25A      | 1.35 to 2.91 | 3.0 to 14.9   | 265 to 2009   | 540       | 9      | 148    | 96    | 171.5  | Miscellaneous applications<br>Flail mowers<br>Circular saws |
| L-150      | 1.0          | 10.5          | 1212          | 540       | 70     | 148    | 84    | 128    | Rotary cutters  |
| LF-151A    | 2.54 to 3.00 | 45.0 to 48.0  | 1672 to 2106  | 540       | 46     | 257    | 180   | 175    | Rotary mowers   |
| LF-205J    | 1.47 to 1.92 | 30 to 40      | 1743 to 3044  | 540       | 35     | 240    | 162   | 155    | Rotary cutters  |
| LF-227J    | 1.22 to 1.83 | 75.0          | 4579 to 6860  | 540       | 87     | 280.5  | 217.4 | 198    | Rotary cutters  |
| T-19A      | 1.46 to 2.91 | 5 to 32       | 398 to 3743   | 540       | 31     | 211    | 144   | 170    | Miscellaneous applications                                  |
| T-22A      | 1.93 to 6.14 | 20.0 to 98.0  | 950 to 5926   | 540       | 64     | 250    | 202   | 370.5  | Miscellaneous applications                                  |
| T-269B     | 1.00 to 3.00 | 53.0 to 105.0 | 3160 to 17763 | 540       | 106    | 369.5  | 250   | 228    | Miscellaneous applications<br>Flail mowers                  |
| T-278A     | 1.00 to 2.91 | 29.0 to 55.0  | 1725 to 9638  | 540       | 81.4   | 302    | 190   | 202    | Miscellaneous applications                                  |



## GEARBOXES

## RIGHT ANGLE SERIES



| Model size | Ratio        | Input power   | Output torque | Input RPM   | Weight | Height | Width | Lenght | Applications  |
|------------|--------------|---------------|---------------|-------------|--------|--------|-------|--------|---|
|            | I            | HP            | lb-in         | RPM         | lb     | cm     | cm    | cm     |   |
| T-279A     | 1.00 to 1.50 | 80.0 to 100.0 | 6700 to 13568 | 540         | 82     | 362    | 190   | 248    | Miscellaneous applications                                  |
| T-279D     | 1.35         | 85            | 7000          | 540 or 1000 | 141    | 465    | 192   | 253    | Rotary mowers   |
| T-27A      | 1.35 to 1.92 | 20.0 to 55.0  | 1743 to 7523  | 540         | 46     | 238.5  | 165   | 202    | Miscellaneous applications<br>Circular saws                 |
| T-281A     | 1.46 to 2.91 | 11.0 to 20.0  | 441 to 1599   | 540         | 15     | 156    | 105   | 196    | Miscellaneous applications<br>Flail mowers<br>Circular saws |
| T-290A     | 1.00 to 3.00 | 45.0 to 95.0  | 2900 to 16179 | 540         | 66     | 317    | 225   | 222    | Miscellaneous applications                                  |
| T-292B     | 1.47 to 1.86 | 62 to 88      | 4805 to 13948 | 540         | 38     | 308.5  | 225   | 266    | Miscellaneous applications<br>Flail mowers                  |
| T-301B     | 1.00 to 3.00 | 61 to 178     | 2681 to 22613 | 540 or 1000 | 136    | 411.5  | 280   | 325    | Miscellaneous applications<br>Flail mowers                  |
| T-304A     | 1.93 to 5.33 | 13.5 to 54.9  | 591 to 8363   | 540         | 42     | 259.5  | 158   | 190    | Miscellaneous applications<br>Rotary mowers balers          |
| T-331A     | 1.00 to 3.27 | 108 to 354    | -             | 540 or 1000 | 250    | 412    | 316   | 381    | Miscellaneous applications<br>Flail mowers                  |

## GEARBOXES

## BEVEL HELICAL REDUCER – PERFORMANCE AT 1400 RPM



| Model size | Ratio | Input power | Output torque | Output speed | Applications                                      |
|------------|-------|-------------|---------------|--------------|---|
| O series   | I     | kW          | Nm            | RPM          |   |
| 63         | 7.9   | 3.5         | 170           | 177.2        | Belt conveyors<br>Mixers<br>Agitators<br>Crushers |
|            | 14.8  | 2.4         | 220           | 94.6         |   |
|            | 31.2  | 1.3         | 240           | 44.9         |   |
|            | 79.5  | 0.51        | 250           | 17.6         |   |
|            | 151.9 | 0.26        | 245           | 9.2          |   |
| 346.4      | 0.12  | 250         | 4.0           |              |   |
| 71         | 6.9   | 6.4         | 270           | 202.9        |   |
|            | 18.7  | 3.6         | 410           | 74.9         |   |
|            | 49.3  | 1.5         | 460           | 28.4         |   |
|            | 98.6  | 0.76        | 460           | 14.2         |   |
|            | 179.6 | 0.42        | 460           | 7.8          |   |
| 90         | 387   | 0.19        | 460           | 3.6          |   |
|            | 7.2   | 9.7         | 430           | 194.4        |   |
|            | 15.7  | 7.5         | 720           | 89.2         |   |
|            | 28.8  | 5.2         | 910           | 48.6         |   |
|            | 59.5  | 2.5         | 910           | 23.5         |   |
| 112        | 131.1 | 1.1         | 910           | 10.7         |   |
|            | 390   | 0.38        | 910           | 3.6          |   |
|            | 7.7   | 14.3        | 670           | 181.8        |   |
|            | 23.6  | 9.3         | 1350          | 59.3         |   |
|            | 46.8  | 6.1         | 1750          | 29.9         |   |
|            | 93.9  | 3.0         | 1750          | 14.9         |   |
|            | 194.9 | 1.5         | 1750          | 7.2          |   |
|            | 375.3 | 0.75        | 1750          | 3.7          |   |



# GEARBOXES

BEVEL HELICAL REDUCER – PERFORMANCE AT 1400 RPM



| Model size | Ratio | Input power | Output torque | Output speed | Applications                                      |
|------------|-------|-------------|---------------|--------------|---|
| O series   | I     | kW          | Nm            | RPM          |   |
| 132        | 16    | 16.8        | 1700          | 87.5         | Belt conveyors<br>Mixers<br>Agitators<br>Crushers |
|            | 24.3  | 14.9        | 2300          | 57.6         |   |
|            | 41.7  | 13.2        | 3500          | 33.6         |   |
|            | 76.3  | 7.2         | 3500          | 18.3         |   |
|            | 109.4 | 5.0         | 3500          | 12.8         |   |
|            | 180   | 3.1         | 3500          | 7.8          |   |
| 150        | 15.7  | 27.1        | 2700          | 89.2         |   |
|            | 30.3  | 26          | 5000          | 46.2         |   |
|            | 54.3  | 14.5        | 5000          | 25.8         |   |
|            | 86    | 9.2         | 5000          | 16.3         |   |
|            | 109.8 | 7.2         | 5000          | 12.8         |   |
| 170        | 204.2 | 3.6         | 4600          | 6.9          |   |
|            | 15.5  | 46.8        | 4600          | 90.3         |   |
|            | 28.8  | 41          | 7500          | 48.6         |   |
|            | 54.3  | 21.8        | 7500          | 25.8         |   |
|            | 81.7  | 14.5        | 7500          | 17.1         |   |
| 190        | 124.1 | 9.5         | 7500          | 11.3         |   |
|            | 196   | 5.3         | 6600          | 7.1          |   |
|            | 15.5  | 65.6        | 6440          | 90.3         |   |
|            | 25.2  | 61.2        | 9800          | 55.6         |   |
|            | 41.8  | 39.6        | 10500         | 33.5         |   |
| 190        | 68.9  | 24          | 10500         | 20.3         |   |
|            | 113.9 | 14.5        | 10500         | 12.3         |   |
|            | 178.1 | 9.1         | 10250         | 7.9          |   |

Output flange and foot available for all sizes; other flange dimensions are also available.

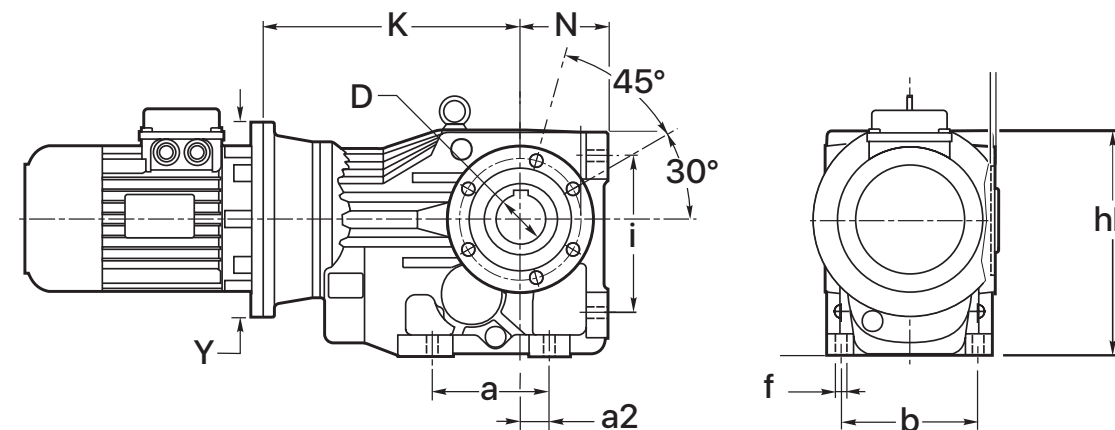
Male output shaft available in metric and imperial sizes. Nema and IEC input flanges available for all sizes.

# GEARBOXES

BEVEL HELICAL REDUCER – PERFORMANCE AT 1400 RPM



| O series | Dimensions (mm) |     |     |     |    |       |     |     |     |     |              | Input flange availability NEMA |     |     |     |     |     |     |     | Weight kg |      |     |  |
|----------|-----------------|-----|-----|-----|----|-------|-----|-----|-----|-----|--------------|--------------------------------|-----|-----|-----|-----|-----|-----|-----|-----------|------|-----|--|
|          | a               | a2  | b   | D   | f  | hP    | i   | N   | Y   | K   | 56           | 145                            | 184 | 213 | 254 | 284 | 324 | 364 | 404 |           |      |     |  |
| 63       | 110             | 28  | 100 | 30  | 11 | 170   | 115 | 63  | 160 | 193 | √            | √                              | √   | √   | √   |     |     |     |     |           | 10.5 |     |  |
| 71       | 130             | 35  | 120 | 35  | 11 | 183   | 130 | 71  | 200 | 237 | √            | √                              | √   | √   | √   |     |     |     |     |           | 18   |     |  |
| 90       | 120             | 30  | 140 | 40  | 14 | 232   | 160 | 90  | 250 | 274 |              | √                              | √   | √   | √   | √   |     |     |     |           | 44   |     |  |
| 112      | 150             | 40  | 165 | 50  | 18 | 294   | 200 | 112 | 300 | 340 |              |                                | √   | √   | √   | √   | √   |     |     |           | 68   |     |  |
| 132      | 240             | 75  | 190 | 60  | 22 | 354   | n/a | 156 | 300 | 413 |              |                                | √   | √   | √   | √   | √   |     |     |           | 70   |     |  |
| 150      | 270             | 90  | 210 | 70  | 22 | 410   | n/a | 183 | 300 | 453 |              |                                | √   | √   | √   | √   | √   | √   |     |           | 120  |     |  |
| 170      | 315             | 110 | 240 | 90  | 22 | 458   | n/a | 210 | 350 | 563 |              |                                | √   | √   | √   | √   | √   | √   | √   |           | 180  |     |  |
| 190      | 355             | 125 | 270 | 100 | 26 | 516.5 | n/a | 236 | 450 | 633 |              |                                |     | √   | √   | √   | √   | √   | √   | √         | 250  |     |  |
|          |                 |     |     |     |    |       |     |     |     |     | 63           | 71                             | 80  | 90  | 100 | 112 | 132 | 160 | 180 | 200       | 225  | 250 |  |
|          |                 |     |     |     |    |       |     |     |     |     | IEC B5 & B14 |                                |     |     |     |     |     |     |     |           |      |     |  |





## GEARBOXES

IN-LINE HELICAL GEARBOX – PERFORMANCE AT 1400 RPM



| Model size | Ratio | Input power | Output torque | Thermal limit w/o cooling unit | Applications   |
|------------|-------|-------------|---------------|--------------------------------|--|
| A series   | I     | kW          | Nm            | HP                             |  |
| A25/2      | 3.4   | 0.55        | 12            | 4                              | Conveyors<br>Telescopic boom lifts<br>Windrowers<br>Rotary disc headers<br>Crushers<br>Mixers<br>Agitators |
|            | 7.2   | 0.26        | 12            |                                |  |
|            | 17.9  | 0.13        | 15            |                                |  |
| A25/3      | 35.3  | 0.08        | 17            | 3                              |  |
|            | 50.7  | 0.06        | 18            |                                |  |
|            | 86.2  | 0.04        | 20            |                                |  |
| A32/1      | 1.8   | 1.9         | 21.7          | 4                              |  |
|            | 6.5   | 0.5         | 20.9          |                                |  |
| A35/2      | 13.6  | 0.56        | 50            | 6                              |  |
|            | 45.1  | 0.17        | 50            |                                |  |
| A35/3      | 59.1  | 0.16        | 50            | 4.75                           |  |
|            | 195.6 | 0.04        | 50            |                                |  |
| A40/1      | 1.2   | 3.9         | 30            | 7.5                            |  |
|            | 7     | 0.8         | 38            |                                |  |
| A41/2      | 12.1  | 1.2         | 95            | 6                              |  |
|            | 49.6  | 0.33        | 105           |                                |  |
| A41/3      | 107.4 | 0.16        | 110           | 4                              |  |
|            | 223.2 | 0.08        | 110           |                                |  |
| A45/2      | 6.4   | 3.1         | 115           | 6.7                            |  |
|            | 26.6  | 0.9         | 160           |                                |  |
| A45/3      | 44.6  | 0.64        | 180           | 5.5                            |  |
|            | 196   | 0.14        | 180           |                                |  |
| A 60/1     | 1.3   | 15          | 130           | 12                             |  |
|            | 2.9   | 8.9         | 170           |                                |  |
| A 60/2     | 7.9   | 6.6         | 338           | 13                             |  |
|            | 19.7  | 3           | 388           |                                |  |
| A 60/3     | 40.3  | 1.6         | 420           | 9.25                           |  |
|            | 185.2 | 0.36        | 420           |                                |  |
| A 80/1     | 1.2   | 33          | 260           | 19                             |  |
|            | 3.6   | 14          | 330           |                                |  |
| A 80/2     | 11.1  | 10.7        | 766           | 20                             |  |
|            | 24.9  | 5.8         | 940           |                                |  |
| A 80/3     | 50.9  | 3           | 967           | 14                             |  |
|            | 197.5 | 0.77        | 967           |                                |  |
| A 100/1    | 1.3   | 56.4        | 480           | 21                             |  |
|            | 5.4   | 13.5        | 530           |                                |  |
| A 100/2    | 4.9   | 40          | 1291          | 31                             |  |
|            | 38.3  | 7.8         | 1930          |                                |  |
| A 100/3    | 36.4  | 8.6         | 1985          | 25                             |  |
|            | 177.1 | 1.8         | 1985          |                                |  |
| A 120/2    | 2.8   | 94          | 1700          | 44                             |  |
|            | 7.7   | 44          | 2200          |                                |  |
|            | 22.1  | 21          | 3000          |                                |  |
| A 120/3    | 40.7  | 13          | 3300          | 30                             |  |
|            | 102.6 | 5.1         | 3300          |                                |  |
|            | 277.3 | 1.9         | 3300          |                                |  |

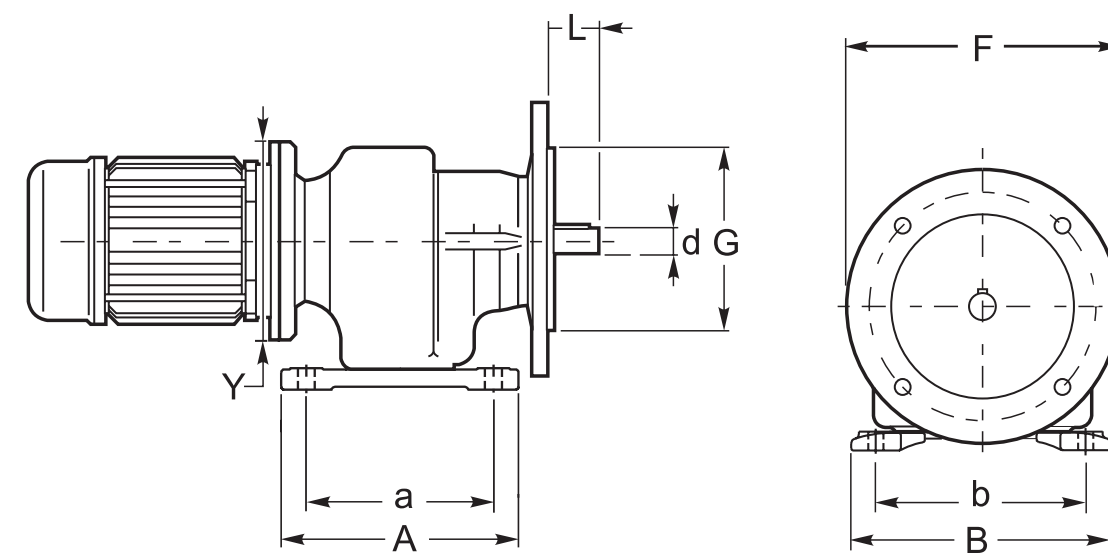
## GEARBOXES

IN-LINE HELICAL GEARBOX – PERFORMANCE AT 1400 RPM



| A series | Dimensions (mm) |     |     |    |     |     |     |     | Input flange LQ NEMA |     |     |     |     |     |     |     | Weight kg |     |     |
|----------|-----------------|-----|-----|----|-----|-----|-----|-----|----------------------|-----|-----|-----|-----|-----|-----|-----|-----------|-----|-----|
|          | a               | b   | B   | d  | F   | G   | L   | Y   | 56                   | 145 | 184 | 213 | 254 | 284 | 324 | 364 |           |     |     |
| A 25/2   | 71              | 90  | 11  | 11 | 120 | 80  | 22  | 120 | √                    | √   |     |     |     |     |     |     | 1.8       |     |     |
| A 25/3   |                 |     |     |    |     |     |     |     |                      |     |     |     |     |     |     |     |           |     |     |
| A32/1    | 77              | 110 | 135 | 19 | 120 | 80  | 40  | 80  | √                    | √   | √   |     |     |     |     |     | 2.1       |     |     |
| A 35/2   |                 |     |     |    |     |     |     |     |                      |     |     |     |     |     |     |     |           |     |     |
| A 35/3   | 87              | 110 | 130 | 16 | 140 | 110 | 30  | 140 | √                    | √   | √   |     |     |     |     |     | 2.6       |     |     |
| A40/1    | 45              | 105 | 130 | 19 | 120 | 80  | 40  | 90  | √                    | √   | √   | √   | √   | √   |     |     | 3.1       |     |     |
| A 41/2   |                 |     |     |    |     |     |     |     |                      |     |     |     |     |     |     |     |           |     |     |
| A 41/3   | 87              | 110 | 130 | 20 | 160 | 110 | 40  | 160 | √                    | √   | √   | √   | √   | √   |     |     | 3.1       |     |     |
| A 45/2   |                 |     |     |    |     |     |     |     |                      |     |     |     |     |     |     |     |           |     |     |
| A 45/3   | 107.5           | 130 | 155 | 25 | 160 | 110 | 50  | 200 | √                    | √   | √   | √   | √   | √   |     |     | 3.5       |     |     |
| A60/1    | 70              | 165 | 195 | 60 | 160 | 110 | 60  | 105 |                      | √   | √   | √   | √   | √   | √   |     | 13        |     |     |
| A 60/2   |                 |     |     |    |     |     |     |     |                      |     |     |     |     |     |     |     |           |     |     |
| A 60/3   | 165             | 135 | 185 | 30 | 200 | 130 | 60  | 250 |                      | √   | √   | √   | √   | √   | √   |     | 16        |     |     |
| A80/1    | 85              | 185 | 230 | 38 | 250 | 180 | 80  | 120 |                      |     | √   | √   | √   | √   | √   | √   | 20        |     |     |
| A 80/2   |                 |     |     |    |     |     |     |     |                      |     |     |     |     |     |     |     |           |     |     |
| A 80/3   | 205             | 170 | 230 | 40 | 250 | 180 | 80  | 300 |                      |     | √   | √   | √   | √   | √   | √   | 21        |     |     |
| A100/1   | 130             | 240 | 295 | 48 | 250 | 180 | 110 | 140 |                      |     |     | √   | √   | √   | √   | √   | 42        |     |     |
| A 100/2  |                 |     |     |    |     |     |     |     |                      |     |     |     |     |     |     |     |           |     |     |
| A 100/3  | 260             | 215 | 290 | 50 | 300 | 230 | 100 | 350 |                      |     |     | √   | √   | √   | √   | √   | 55        |     |     |
| A 120/2  |                 |     |     |    |     |     |     |     |                      |     |     |     |     |     |     |     |           |     |     |
| A 120/3  | 310             | 250 | 350 | 60 | 450 | 350 | 120 | 350 |                      |     |     | √   | √   | √   | √   | √   | 60        |     |     |
|          |                 |     |     |    |     |     |     |     | 63                   | 71  | 80  | 90  | 100 | 112 | 132 | 160 | 180       | 200 | 225 |

IEC B5 &amp; B14





# GEARBOXES

SHAFT-MOUNT – PT HELICAL REDUCER – PERFORMANCE AT 1400 RPM



| Model size | Ratio | Input power | Output torque | Thermal limit w/o cooling | Applications   |
|------------|-------|-------------|---------------|---------------------------|--|
| PT series  | I     | kW          | Nm            | HP                        |  |
| 80/1       | 5.1   | 16          | 400           | 20                        | Conveyors<br>Telescopic boom lifts<br>Windrowers<br>Rotary disc headers<br>Crushers<br>Mixers<br>Agitators |
|            | 7.4   | 9.5         | 360           |                           |  |
| 80/2       | 10.6  | 9.5         | 500           | 10                        |  |
|            | 15.5  | 6.5         | 500           |                           |  |
|            | 27.2  | 4.25        | 560           |                           |  |
|            | 44.1  | 2.25        | 500           |                           |  |
|            | 58.8  | 1.75        | 500           |                           |  |
| 100/1      | 5.1   | 31.5        | 800           | 30                        |  |
|            | 7.4   | 21.5        | 800           |                           |  |
| 100/2      | 10.7  | 18          | 940           | 15                        |  |
|            | 15.7  | 12.75       | 980           |                           |  |
|            | 25.9  | 8.25        | 1,050         |                           |  |
|            | 43.2  | 5.5         | 1,150         |                           |  |
|            | 58.1  | 4           | 1,100         |                           |  |
| 125/1      | 5.1   | 59          | 1,500         | 50                        |  |
|            | 7.7   | 36.5        | 1,400         |                           |  |
| 125/2      | 8.7   | 42.5        | 1,800         | 25                        |  |
|            | 15.7  | 25.5        | 1,950         |                           |  |
|            | 25.9  | 17          | 2,150         |                           |  |
|            | 39    | 11.25       | 2,150         |                           |  |
|            | 57.1  | 7.5         | 2,100         |                           |  |
| 132/1      | 2.8   | 164.5       | 2,300         | 67                        |  |
|            | 5.33  | 90          | 2,400         |                           |  |
| 132/2      | 6.2   | 82          | 2,500         | 33                        |  |
|            | 9.8   | 56          | 2,700         |                           |  |
|            | 15.9  | 38.5        | 3,000         |                           |  |
|            | 18.3  | 33.5        | 3,000         |                           |  |
|            | 26.3  | 25          | 3,200         |                           |  |

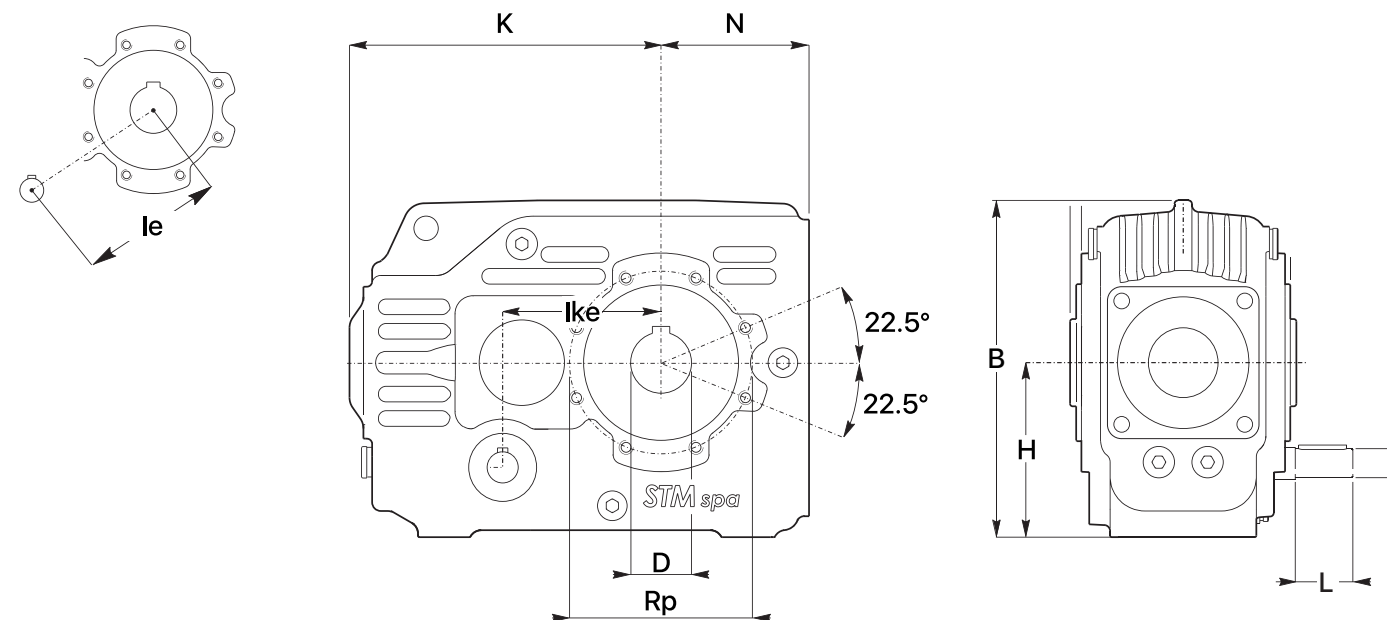
\*Ratios indicated on this page are only a sample of our capabilities.

# GEARBOXES

SHAFT-MOUNT – PT HELICAL REDUCER – PERFORMANCE AT 1400 RPM



| Model size | Dimensions (mm) |       |       |     |       |     |     |     | Dimensions (in) |        |        | Weight lb |
|------------|-----------------|-------|-------|-----|-------|-----|-----|-----|-----------------|--------|--------|-----------|
|            | K               | N     | B     | le  | lke   | L   | H   | Rp  | D min.          | D max. | d      |           |
| 80/1       | 179             | 85.5  | 193   | 80  | n/a   | 50  | 100 | 105 | 3/4             | 1 1/4  | 3/4    | 40        |
| 80/2       | 179             | 85.5  | 193   | n/a | 91    | 40  |     |     |                 |        | 1      | 44        |
| 100/1      | 221             | 105.5 | 233   | 100 | n/a   | 60  | 120 | 125 | 1               | 1 3/4  | 1      | 64        |
| 100/2      | 221             | 105.5 | 233   | n/a | 128   | 50  |     |     |                 |        | 1 1/8  | 70        |
| 125/1      | 276             | 140.5 | 285   | 127 | n/a   | 80  | 145 | 150 | 1 3/8           | 2 1/4  | 1 1/8  | 110       |
| 125/2      | 276             | 140.5 | 285   | n/a | 166.2 | 60  |     |     |                 |        | 1 1/2  | 123       |
| 132/1      | 332.5           | 156   | 566   | 140 | n/a   | 112 | 212 | 175 | 1 1/2           | 2 5/8  | 1 3/8  | 143       |
| 132/2      | 332.5           | 156   | 566   | n/a | 198   | 80  |     |     |                 |        | 1 3/8  | 154       |
| 140/1      | 349             | 175.5 | 372   | 160 | n/a   | 80  | 190 | 200 | 1 1/2           | 2 5/8  | 1 7/16 | 220       |
| 140/2      | 349             | 175.5 | 372   | n/a | 209   | 80  |     |     |                 |        | 1 7/16 | 242       |
| 150/1      | 362.5           | 183   | 655   | 160 | n/a   | 125 | 245 | 200 | 1 3/4           | 2 3/4  | 1 5/8  | 242       |
| 150/2      | 362.5           | 183   | 655   | n/a | 223   | 112 |     |     |                 |        | 1 5/8  | 264       |
| 170/1      | 391.5           | 210   | 733   | 180 | n/a   | 140 | 275 | 225 | 2 1/8           | 3 1/4  | 2 3/16 | 383       |
| 170/2      | 391.5           | 210   | 733   | n/a | 247.5 | 112 |     |     |                 |        | 2 3/16 | 405       |
| 190/1      | 437             | 236   | 831.5 | 200 | n/a   | 140 | 315 | 250 | 2 3/4           | 3 1/2  | 2 7/16 | 528       |
| 190/2      | 437             | 236   | 831.5 | n/a | 277   | 125 |     |     |                 |        | 2 7/16 | 550       |





# GEARBOXES

SHAFT-MOUNT – PT HELICAL REDUCER – PERFORMANCE AT 1400 RPM



| Model size | Ratio | Input power | Output torque | Thermal limit w/o cooling | Applications   |
|------------|-------|-------------|---------------|---------------------------|--|
| PT series  | I     | kW          | Nm            | HP                        |  |
| 140/1      | 4.8   | 132         | 3,200         | 72                        | Conveyors<br>Telescopic boom lifts<br>Windrowers<br>Rotary disc headers<br>Crushers<br>Mixers<br>Agitators |
|            | 7.4   | 81          | 3,000         |                           |  |
| 140/2      | 10.5  | 78          | 4,000         | 36                        |  |
|            | 15.3  | 56          | 4,200         |                           |  |
|            | 23.3  | 39.5        | 4,500         |                           |  |
|            | 36.5  | 27          | 4,800         |                           |  |
|            | 57.9  | 15          | 4,200         |                           |  |
| 150/1      | 2.8   | 243         | 6,400         | 80                        |  |
|            | 5.33  | 132         | 3,500         |                           |  |
| 150/2      | 6.3   | 120         | 3,700         | 40                        |  |
|            | 8     | 100         | 3,900         |                           |  |
|            | 13.7  | 64.5        | 4,300         |                           |  |
|            | 24.8  | 38          | 4,600         |                           |  |
|            | 29.8  | 31.5        | 4,600         |                           |  |
| 170/1      | 2.62  | 336         | 4,400         | 99                        |  |
|            | 5.33  | 188         | 5,000         |                           |  |
| 170/2      | 8.4   | 131.5       | 5,400         | 49                        |  |
|            | 12.2  | 97          | 5,800         |                           |  |
|            | 15.4  | 84          | 6,300         |                           |  |
|            | 25.8  | 53          | 6,700         |                           |  |
|            | 28.4  | 48          | 6,700         |                           |  |
| 190/1      | 2.62  | 460         | 6,000         | 133                       |  |
|            | 5.33  | 251         | 6,700         |                           |  |
| 190/2      | 6.1   | 260         | 7,800         | 67                        |  |

\*For ratios other than indicated, please contact Canimex

# GEARBOXES

SKEW REDUCER – RIGHT ANGLE HELICAL GEARBOX, 90% EFFICIENCY – PERFORMANCE AT 1400 RPM



| Model size | Ratio | Input power | Output torque | Thermal power | Applications   |
|------------|-------|-------------|---------------|---------------|--|
| SM         | I     | kW          | Nm            | HP            |  |
| 25         | 8.0   | 1.43        | 70            | 2.15          | Conveyors<br>Telescopic boom lifts<br>Windrowers<br>Rotary disc headers<br>Crushers<br>Mixers<br>Agitators |
|            | 10.0  | 1.38        | 85            |               |  |
|            | 14.0  | 1.16        | 100           |               |  |
|            | 20.0  | 0.81        | 100           |               |  |
|            | 25.0  | 0.65        | 100           |               |  |
|            | 35.0  | 0.47        | 100           |               |  |
|            | 45.0  | 0.36        | 100           |               |  |
|            | 56.0  | 0.29        | 100           |               |  |
|            | 72.0  | 0.23        | 100           |               |  |
|            | 80.0  | 0.2         | 100           |               |  |
|            | 90.0  | 0.18        | 100           |               |  |
|            | 100.0 | 0.16        | 100           |               |  |
| 35         | 8.0   | 1.83        | 90            | 2.5           |  |
|            | 10.0  | 1.87        | 115           |               |  |
|            | 14.0  | 1.89        | 145           |               |  |
|            | 20.0  | 1.18        | 145           |               |  |
|            | 29.8  | 0.93        | 170           |               |  |
|            | 45.0  | 0.6         | 165           |               |  |
|            | 56.0  | 0.48        | 165           |               |  |
|            | 70.0  | 0.38        | 165           |               |  |
|            | 80.0  | 0.34        | 165           |               |  |
|            | 95.0  | 0.28        | 165           |               |  |
| 45         | 120.0 | 0.22        | 165           | 3.5           |  |
|            | 142.8 | 0.19        | 165           |               |  |
|            | 8.0   | 2.24        | 110           |               |  |
|            | 10.0  | 2.36        | 145           |               |  |
|            | 14.0  | 2.33        | 200           |               |  |
|            | 20.0  | 2.14        | 250           |               |  |
|            | 32.0  | 1.27        | 250           |               |  |
|            | 40.0  | 1.02        | 250           |               |  |
|            | 56.0  | 0.73        | 250           |               |  |
|            | 70    | 0.58        | 250           |               |  |
| 86.8       | 0.46  | 245         |               |               |  |
| 100        | 0.39  | 240         |               |               |  |
| 124        | 0.32  | 240         |               |               |  |
| 148.8      | 0.26  | 240         |               |               |  |

## GEARBOXES

SKREW REDUCER – RIGHT ANGLE HELICAL GEARBOX, 90% EFFICIENCY – PERFORMANCE AT 1400 RPM

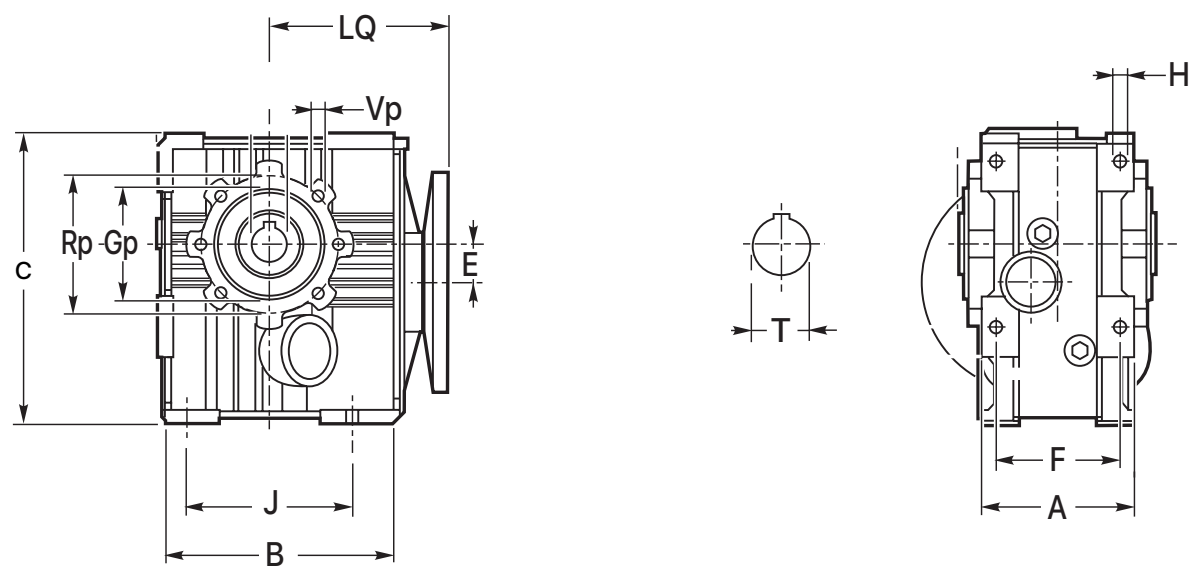


| SM | Dimensions (mm) |     |       |      |      |     |   |    |     |    |       |    | Input flange NEMA |     |     |     |     |     |     |
|----|-----------------|-----|-------|------|------|-----|---|----|-----|----|-------|----|-------------------|-----|-----|-----|-----|-----|-----|
|    | A               | B   | c     | E    | F    | J   | H | Gp | Rp  | Vp | LQ    | T  | 56                | 145 | 184 | 213 |     |     |     |
| 25 | 90              | 122 | 172   | 25.5 | 73.5 | 90  | 9 | 70 | 85  | M8 | 100   | 19 | √                 | √   | √   | √   |     |     |     |
| 35 | 95              | 130 | 193.5 | 28.5 | 75   | 100 | 9 | 80 | 95  | M8 | 122.5 | 25 |                   | √   | √   | √   |     |     |     |
| 45 | 110             | 165 | 210   | 27.5 | 90   | 120 | 9 | 80 | 100 | M8 | 129.5 | 30 |                   | √   | √   | √   |     |     |     |
|    |                 |     |       |      |      |     |   |    |     |    |       |    | 63                | 71  | 80  | 90  | 100 | 112 | 132 |
|    |                 |     |       |      |      |     |   |    |     |    |       |    | IEC               |     |     |     |     |     |     |

Output flanges, torque arms and foot mounts available for all sizes.

Male output shaft available in metric and imperial sizes.

Nema and IEC input flanges available for all sizes.



## GEARBOXES

VERTICAL MIXER SERIES



| Model size                                       | Ratio  | Rating @ 540 RPM | Rating @ 1000 RPM | Weight |
|--|--------|------------------|-------------------|--------|
|  | I      | HP               | HP                | lb     |
| D-732 A  | 1:1    | 80               | 110               | 136.4  |
|  | 1.88:1 |                  |                   |        |
|  | 1:1    | 80               | 110               |        |
| C3A<br>(optional hydraulic or electric shift)    | 1:1    | 125              | 150               | 220    |
|  | 1.5:1  |                  |                   |        |
|  | 1.8:1  |                  |                   |        |
|  | 2.3:1  |                  |                   |        |
|  | 2.7:1  |                  |                   |        |
| C3A-R<br>(optional hydraulic or electric shift)  | 1:1    | 150              | 180               | 220    |
|  | 1.5:1  |                  |                   |        |
|  | 2.7:1  |                  |                   |        |
|  | 3.2:1  |                  |                   |        |
|  | 3.6:1  |                  |                   |        |
|  | 4.0:1  |                  |                   |        |
| A-613R<br>(optional hydraulic or electric shift) | 1:1    | 180              | 245               | 242    |
|  | 1.3:1  |                  |                   |        |
|  | 1.5:1  |                  |                   |        |
|  | 2.7:1  |                  |                   |        |





# GEARBOXES

## CANIMEX CUSTOM GEARBOXES

| Model size | Ratio  | Input shaft                                       | Output shaft              | Weight | Applications |
|------------|--------|---|---------------------------|--------|--------------|
|            | I      | HP  | ft                        | lb     |              |
| RH-25000   | 1:1    | 225 HP rating at 1000 RPM- 1 3/4"-20 male splines | 1 3/4"-20 female splines  | 154    | Snow and ice |
| RH-25000   | 1.84:1 | 225 HP rating at 1000 RPM- 1 3/4"-20 male splines | 1 3/4"-20 female splines  | 154    | Snow and ice |
| RH-60000   | 1.85:1 | 500 HP rating at 1000 RPM 1 3/4"-20 male splines  | 2 1/4"- 22 female splines | 285    | Snow and ice |



# GEARBOXES

## RXP SERIES – INDUSTRIAL SHAFT-MOUNT PARALLEL AXIS HELICAL REDUCER – PERFORMANCE AT 1450 RPM

| Model Size | Ratio | Input power | Output torque | Output speed | Applications                              |
|------------|-------|-------------|---------------|--------------|---|
| RXP        | I     | HP          | lb-in         | RPM          |   |
| 802/2      | 4.6   | 134         | 25667         | 315          | Trailer mixers<br>Snowblower<br>Conveyors |
|            | 7.13  | 92          | 27437         | 203          |   |
|            | 10.3  | 64          | 27437         | 141          |   |
|            | 12.7  | 54          | 28322         | 115          |   |
|            | 16    | 43          | 28322         | 91           |   |
|            | 19    | 13          | 28322         | 76           |   |
| 804/2      | 4.63  | 193         | 37173         | 313          |   |
|            | 6.38  | 146         | 38943         | 227          |   |
|            | 8.02  | 117         | 38943         | 181          |   |
|            | 11    | 87          | 39828         | 132          |   |
|            | 13.6  | 70          | 39828         | 107          |   |
|            | 19    | 51          | 40713         | 76           |   |
| 806/2      | 4.46  | 276         | 51334         | 325          |   |
|            | 7.16  | 196         | 58415         | 203          |   |
|            | 9     | 158         | 59300         | 161          |   |
|            | 12.4  | 117         | 60185         | 117          |   |
|            | 18.2  | 80          | 61070         | 79           |   |
|            | 21.9  | 67          | 61955         | 66           |   |
| 808/2      | 4.44  | 382         | 70806         | 326          |   |
|            | 6.13  | 324         | 83197         | 236          |   |
|            | 9.22  | 221         | 84967         | 157          |   |
|            | 12    | 172         | 85852         | 121          |   |
|            | 17.7  | 118         | 87622         | 82           |   |
|            | 23.6  | 90          | 88507         | 61           |   |
| 812/2      | 4.53  | 631         | 119485        | 320          |   |
|            | 6.27  | 588         | 154003        | 231          |   |
|            | 8.91  | 461         | 171704        | 163          |   |
|            | 12.5  | 335         | 174360        | 116          |   |
|            | 15.7  | 269         | 177015        | 92           |   |
|            | 18.7  | 228         | 177900        | 77           |   |
| 816/2      | 4.63  | 1190        | 230119        | 313          |   |
|            | 7.14  | 1007        | 300040        | 203          |   |
|            | 11    | 739         | 338984        | 132          |   |
|            | 13.6  | 603         | 342524        | 107          |   |
|            | 15.9  | 519         | 345179        | 91           |   |
|            | 19    | 440         | 348719        | 76           |   |
| 820/2      | 4.44  | 3220        | 597425        | 326          |   |
|            | 5.5   | 2860        | 656725        | 264          |   |
|            | 8.16  | 1985        | 676197        | 178          |   |
|            | 15    | 1114        | 697439        | 97           |   |
|            | 17.7  | 950         | 702749        | 82           |   |
|            | 19.4  | 873         | 706290        | 75           |   |

# GEARBOXES

RXP SERIES – INDUSTRIAL SHAFT-MOUNT PARALLEL AXIS HELICAL REDUCER – PERFORMANCE AT 1450 RPM



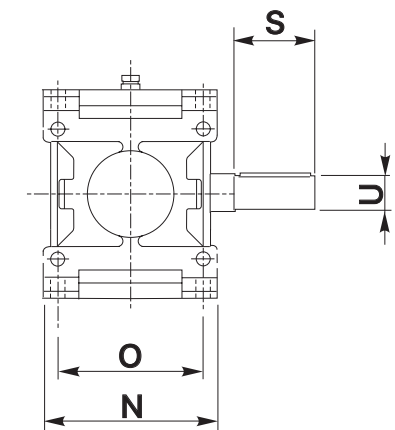
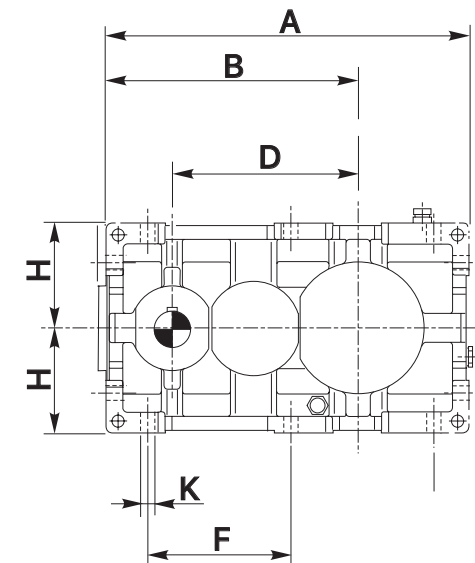
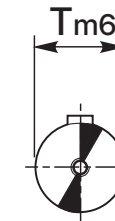
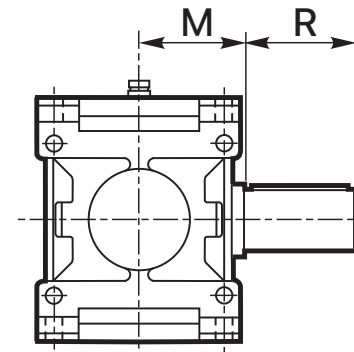
| Model size | Ratio | Input power | Output torque | Output speed | Applications                              |
|------------|-------|-------------|---------------|--------------|---|
| RXP        | I     | HP          | lb-in         | RPM          |   |
| 824/2      | 4.53  | 6464        | 122140        | 320          | Trailer mixers<br>Snowblower<br>Conveyors |
|            | 5.61  | 5727        | 134530        | 258          |   |
|            | 7.89  | 4188        | 138070        | 184          |   |
|            | 11.6  | 2905        | 140730        | 125          |   |
|            | 15.7  | 2174        | 142500        | 92           |   |
|            | 20.6  | 1681        | 145150        | 70           |   |
| 826/2      | 4.6   | 8937        | 171700        | 315          |   |
|            | 5.7   | 7755        | 184980        | 254          |   |
|            | 7.13  | 6271        | 186750        | 203          |   |
|            | 10.3  | 4426        | 190290        | 141          |   |
|            | 13.6  | 3389        | 192950        | 106          |   |
|            | 21    | 2252        | 197370        | 69           |   |
| 828/2      | 4.63  | 12477       | 240740        | 313          |   |
|            | 6.38  | 9893        | 263750        | 227          |   |
|            | 8.02  | 7965        | 266410        | 181          |   |
|            | 11    | 5905        | 270830        | 132          |   |
|            | 13.6  | 4819        | 273490        | 107          |   |
|            | 17.4  | 3826        | 277030        | 84           |   |

# GEARBOXES

RXP SERIES – INDUSTRIAL SHAFT-MOUNT PARALLEL AXIS HELICAL REDUCER – PERFORMANCE AT 1450 RPM



| RXP | Dimensions (mm) |      |      |       |     |    |     |     |     |     | Weight | Output shaft |     |     |     |
|-----|-----------------|------|------|-------|-----|----|-----|-----|-----|-----|--------|--------------|-----|-----|-----|
|     | A               | B    | D    | F     | H   | K  | N   | O   | S   | U   | lb     | RXP          | M   | R   | T   |
| 802 | 435             | 305  | 225  | 172.5 | 125 | 18 | 213 | 180 | 80  | 32  | 191    | 802          | 109 | 112 | 60  |
| 804 | 492             | 342  | 252  | 195   | 140 | 20 | 237 | 200 | 80  | 35  | 264    | 804          | 121 | 125 | 70  |
| 806 | 555             | 385  | 285  | 219.5 | 160 | 22 | 269 | 225 | 112 | 45  | 378    | 806          | 137 | 140 | 80  |
| 808 | 622             | 432  | 320  | 246   | 180 | 25 | 297 | 250 | 112 | 45  | 519    | 808          | 151 | 160 | 90  |
| 812 | 785             | 545  | 405  | 308   | 225 | 30 | 379 | 315 | 140 | 60  | 1025   | 812          | 192 | 200 | 110 |
| 816 | 950             | 670  | 505  | 388   | 280 | 36 | 479 | 400 | 160 | 70  | 1993   | 816          | 242 | 250 | 140 |
| 820 | 1195            | 840  | 640  | 492.5 | 355 | 42 | 599 | 500 | 180 | 90  | 3912   | 820          | 302 | 315 | 180 |
| 824 | 1400            | 1020 | 810  | 640   | 450 | 48 | 761 | 630 | 200 | 110 | 6514   | 824          | 383 | 400 | 220 |
| 826 | 1575            | 1145 | 900  | 715   | 500 | 52 | 855 | 710 | 225 | 125 | 8580   | 826          | 430 | 450 | 250 |
| 828 | 1797            | 1301 | 1010 | 805   | 560 | 56 | 965 | 800 | 250 | 140 | 13640  | 828          | 485 | 500 | 280 |





## GEARBOXES

RXO SERIES – INDUSTRIAL BEVEL HELICAL REDUCER – PERFORMANCE AT 1450 RPM



| Model size | Ratio | Input power | Output torque | Output speed | Applications                              |
|------------|-------|-------------|---------------|--------------|---|
| RXO        | I     | HP          | lb-in         | RPM          |   |
| 802/2      | 19.4  | 36          | 2830          | 75           | Trailer mixers<br>Snowblower<br>Conveyors |
|            | 28.5  | 25          | 2920          | 51           |   |
|            | 38.6  | 19          | 2920          | 38           |   |
|            | 49.6  | 15          | 3010          | 29           |   |
|            | 69.2  | 11          | 3010          | 21           |   |
|            | 97.1  | 8           | 3100          | 14.9         |   |
| 804/2      | 19.4  | 52          | 4040          | 75           |   |
|            | 30.6  | 34          | 4160          | 47           |   |
|            | 41.9  | 25          | 4250          | 35           |   |
|            | 58    | 18          | 4340          | 25           |   |
|            | 81.3  | 13          | 4340          | 17.8         |   |
|            | 96.8  | 11          | 4430          | 15           |   |
| 806/2      | 20.5  | 75          | 6200          | 71           |   |
|            | 28    | 55          | 6280          | 52           |   |
|            | 34.6  | 46          | 6370          | 42           |   |
|            | 52.1  | 31          | 6460          | 28           |   |
|            | 72.5  | 22          | 6550          | 20           |   |
|            | 112   | 15          | 6730          | 13           |   |
| 808/2      | 19.7  | 110         | 8760          | 74           |   |
|            | 27.1  | 82          | 8940          | 54           |   |
|            | 39.3  | 58          | 9120          | 37           |   |
|            | 50.5  | 46          | 9200          | 29           |   |
|            | 70.5  | 34          | 9380          | 21           |   |
|            | 121   | 20          | 9560          | 12           |   |
| 812/2      | 19.1  | 231         | 17790         | 76           |   |
|            | 30.1  | 150         | 18230         | 48           |   |
|            | 45.3  | 102         | 18590         | 32           |   |
|            | 57.2  | 82          | 18850         | 25           |   |
|            | 80.2  | 59          | 19210         | 18.1         |   |
|            | 95.6  | 50          | 19290         | 15.2         |   |
| 816/2      | 19.4  | 444         | 34870         | 75           |   |
|            | 26.6  | 330         | 35400         | 55           |   |
|            | 38.5  | 232         | 36110         | 38           |   |
|            | 49.5  | 182         | 36550         | 29           |   |
|            | 69.1  | 133         | 37170         | 21           |   |
|            | 96.8  | 97          | 37790         | 15           |   |
| 820/2      | 19.7  | 886         | 70720         | 74           |   |
|            | 27.1  | 656         | 71780         | 54           |   |
|            | 39.3  | 460         | 73200         | 37           |   |
|            | 59.2  | 312         | 74700         | 25           |   |
|            | 83    | 227         | 75930         | 17.5         |   |
|            | 98.9  | 192         | 76650         | 14.7         |   |

## GEARBOXES

RXO SERIES – INDUSTRIAL BEVEL HELICAL REDUCER – PERFORMANCE AT 1450 RPM



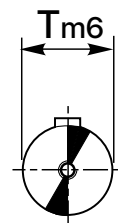
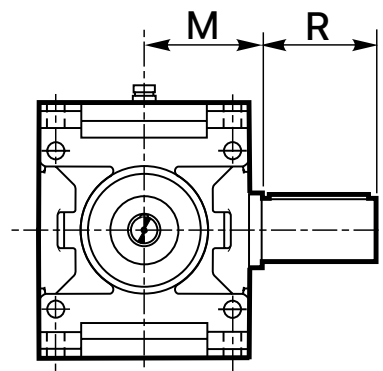
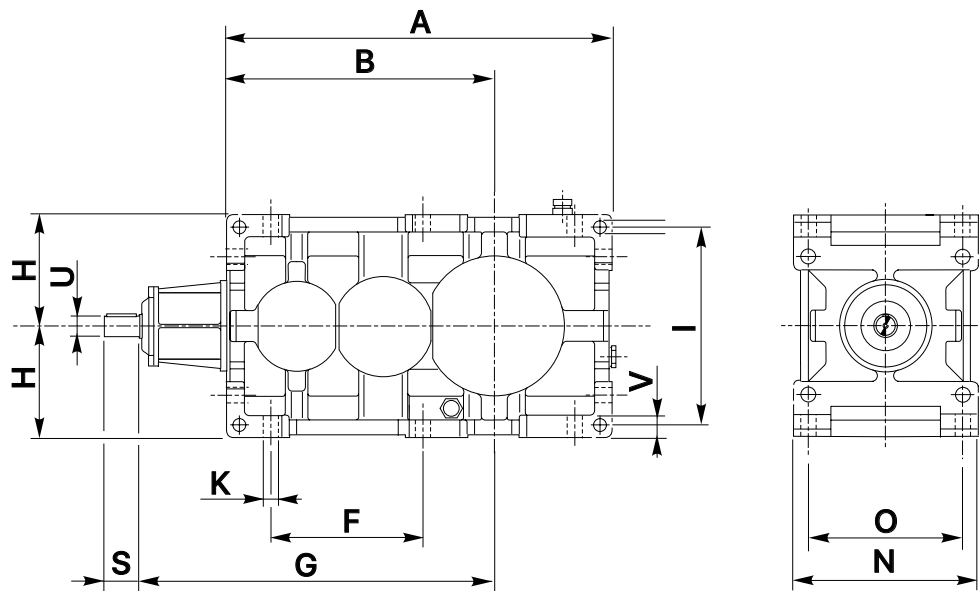
| Model size | Ratio | Input power | Output torque | Output speed | Applications                              |
|------------|-------|-------------|---------------|--------------|---|
| RXO        | I     | HP          | lb-in         | RPM          |   |
| 824/2      | 19.4  | 1835        | 144270        | 75           | Trailer mixers<br>Snowblower<br>Conveyors |
|            | 28.6  | 1272        | 147000        | 51           |   |
|            | 38.7  | 953         | 149580        | 38           |   |
|            | 57.2  | 658         | 152230        | 25           |   |
|            | 80.2  | 477         | 154890        | 18.1         |   |
|            | 105   | 367         | 156660        | 13.8         |   |
| 826/2      | 19.5  | 2430        | 191180        | 75           |   |
|            | 25    | 1965        | 199140        | 58           |   |
|            | 42.3  | 1193        | 204450        | 34           |   |
|            | 62.3  | 824         | 208000        | 23           |   |
|            | 75.1  | 690         | 209760        | 19.3         |   |
|            | 107   | 493         | 213300        | 13.6         |   |
| 828/2      | 19.8  | 3099        | 248700        | 73           |   |
|            | 27.1  | 2582        | 283220        | 54           |   |
|            | 39.3  | 1814        | 288530        | 37           |   |
|            | 57.6  | 1261        | 294730        | 25           |   |
|            | 81.2  | 912         | 299160        | 17.9         |   |
|            | 96.7  | 772         | 301810        | 15           |   |

# GEARBOXES

RXO SERIES – INDUSTRIAL BEVEL HELICAL REDUCER – PERFORMANCE AT 1450 RPM



| RXO | Dimensions (mm) |      |       |     |    |     |     |     |     |      | Weight<br>lb | Output Shaft |     |     |     |
|-----|-----------------|------|-------|-----|----|-----|-----|-----|-----|------|--------------|--------------|-----|-----|-----|
|     | A               | B    | F     | H   | K  | N   | O   | U   | S   | G    |              | RXO          | M   | R   | T   |
| 802 | 435             | 305  | 172.5 | 125 | 18 | 213 | 180 | 22  | 40  | 405  | 216          | 802          | 109 | 112 | 60  |
| 804 | 492             | 342  | 185   | 140 | 20 | 237 | 200 | 24  | 45  | 452  | 288          | 804          | 121 | 125 | 70  |
| 806 | 555             | 385  | 219.5 | 160 | 22 | 269 | 225 | 28  | 50  | 510  | 403          | 806          | 137 | 140 | 80  |
| 808 | 622             | 432  | 246   | 180 | 25 | 297 | 250 | 32  | 56  | 570  | 543          | 808          | 151 | 160 | 90  |
| 812 | 785             | 545  | 307.5 | 225 | 30 | 379 | 315 | 40  | 70  | 720  | 1049         | 812          | 192 | 200 | 110 |
| 816 | 950             | 670  | 388   | 280 | 36 | 479 | 400 | 50  | 90  | 905  | 2017         | 816          | 242 | 250 | 140 |
| 820 | 1195            | 840  | 492.5 | 355 | 42 | 599 | 500 | 60  | 112 | 1140 | 3936         | 820          | 302 | 315 | 180 |
| 824 | 1400            | 1020 | 640   | 450 | 48 | 761 | 630 | 80  | 140 | 1440 | 6538         | 824          | 383 | 400 | 220 |
| 826 | 1575            | 1145 | 715   | 500 | 52 | 855 | 710 | 90  | 160 | 1610 | 8604         | 826          | 430 | 450 | 250 |
| 828 | 1797            | 1301 | 805   | 560 | 56 | 965 | 800 | 100 | 180 | 1810 | 13664        | 828          | 485 | 500 | 280 |



# GEARBOXES

PG / PGA – COMER PLANETARY GEARBOX



| Model<br>PG /PGA | Output torque<br>kNm | Ratio<br>I    | Output shaft |    |    |    |   |    |     | Input   |   |  |   |
|------------------|----------------------|---------------|--------------|----|----|----|---|----|-----|---|---|--|---|
|                  |                      |               | MS           | MC | PS | PC | F | FS | CPC | KEYED   | HYD   | ELEC   |   |
| 100              | 1.1                  | 3.5 to 3422.1 | ✓            | ✓  | ✓  | ✓  | ✓ | ✓  | ✓   | Keyed: D.28 mm - ABx7x40 /<br>D.42 mm -A12x8x70<br>Splined: 1"3/8 Z=6   | SAE:<br>A-A<br>A<br>B<br>B/B<br>C<br>C-C                | NEMA C: 143TC-145TC /<br>182TC-184TC / 213TC-215TC<br>UNEL/IEC B%: H63/H71/<br>H80/H90/H100-112/H132 |   |
| 160              | 1.7                  | 3.5 to 3422.1 | ✓            | ✓  | ✓  | ✓  | ✓ | ✓  | ✓   |   |   |  |   |
| 250              | 3.5                  | 3.7 to 2369   | ✓            | ✓  | ✓  | ✓  | ✓ | ✓  | ✓   |   |   |  |   |
| 500              | 5.1                  | 3.7 to 1845   | ✓            | ✓  | ✓  | ✓  | ✓ | ✓  | ✓   |   |   |  |   |
| 700              | 7.0                  | 3.6 to 2969   |              |    | ✓  | ✓  |   |    | ✓   | Keyed: D.28 mm - ABx7x40 /<br>D.42 mm -A12x8x70 /<br>D.65 mm -A18x11x90<br>Splined: 1"3/8 Z=6                     | SAE:<br>A-A<br>A<br>B<br>B-B<br>C<br>C-C<br>D<br>E<br>F | NEMA C: 286T /<br>326T / 365T UNEL/<br>IEC B5: H1600/<br>H180/H200/H225                              |   |
| 1000             | 12.2                 | 3.5 to 2230   | ✓            | ✓  |    |    |   | ✓  | ✓   |   |   |  | ✓ |
| 1600             | 18.0                 | 3.5 to 2230   | ✓            | ✓  | ✓  | ✓  | ✓ | ✓  | ✓   |   |   |  | ✓ |
| 1800             | 18.0                 | 13.0 to 1216  | ✓            | ✓  | ✓  | ✓  | ✓ | ✓  | ✓   |   |   |  | ✓ |
| 2500             | 30.7                 | 4.0 to 1774   | ✓            | ✓  |    |    |   | ✓  | ✓   | Keyed: D.28 mm - ABx7x40 /<br>D.42 mm -A12x8x70 / D.65 mm -A18x11x90 /<br>D.90 mm -A25x14x160 Splined : 1"3/8 Z=6 | SAE:<br>A-A<br>A<br>B<br>B-B<br>C<br>C-C<br>D<br>E<br>F | UNEL/IE B5: H160/H180/H200/H225/H250/H280  |   |
| 3000             | 30.7                 | 14.2 to 1425  | ✓            | ✓  |    |    |   | ✓  | ✓   |   |   |  | ✓ |
| 3500             | 37.5                 | 4.0 to 1290   | ✓            | ✓  |    |    |   | ✓  | ✓   |   |   |  | ✓ |
| 5000             | 60.8                 | 4.0 to 1982   | ✓            | ✓  |    |    |   | ✓  | ✓   |   |   |  | ✓ |
| 6500             | 69.3                 | 3.83 to 1008  | ✓            | ✓  |    |    |   | ✓  | ✓   | Keyed: D.28 mm - ABx7x40 /<br>D.42 mm -A12x8x70 / D.65 mm -A18x11x90 /<br>D.90 mm -A25x14x160 Splined : 1"3/8 Z=6 | SAE:<br>A-A<br>A<br>B<br>B-B<br>C<br>C-C<br>D<br>E<br>F | UNEL/IE B5: H160/H180/H200/H225/H250/H280  |   |
| 9000             | 99.0                 | 4.0 to 1623   | ✓            | ✓  |    |    |   | ✓  | ✓   |   |   |  | ✓ |

| PG-PGA                            |   |  |  |  |             |  |
|-----------------------------------|---|--|--|--|-------------|--|
| MS                                | MC  | PS   | PC   | F  | FS          | CPC                                    |
| Mounting flange and splined shaft | Mounting flange and keyed cylindrical shaft | Mounting flange and heavy-duty splined shaft | Mounting flange and heavy-duty keyed cylindrical shaft | Mounting flange and female splined shaft | Shaft-mount | Foot-mount and keyed cylindrical shaft |
|                                   |   |  |  |  |             |  |



# GEARBOXES

## VERTICAL PLANETARY MIXER



| Model             | Ratio | Continuous torque | Peak torque | Weight | Nominal input speed                |
|-------------------|-------|-------------------|-------------|--------|------------------------------------|
| PG / PGA          | I     | Nm                | Nm          | lb     | RPM                                |
| PG 1802 VM        | 17.7  | 17975             | 35950       | 451    | 540.1000                           |
| PGA 2002 VM       | 13.4  | 17975             | 35950       | 562    | 540                                |
| PGA 2003 VM       | 25.9  | 19500             | 39000       | 641    | 1000                               |
| PGA 1702 VM       | 13.4  | 23500             | 39000       | 562    | 540                                |
| PGA 1703 VM       | 25.9  | 23500             | 39000       | 641    | 1000                               |
| PGA 2102 VM       | 17.5  | 25500             | 52000       | 562    | 540                                |
| PGA 2103 VM       | 29.9  | 25500             | 52000       | 641    | 1000                               |
| PGA 2502 VM       | 19.6  | 23880             | 47760       | 925    | Hydraulic-driven rear<br>750 RPM   |
| PGA 2503 VM       | 86.7  | 20000             | 40000       | 925    | Hydraulic-driven front<br>3000 RPM |
| PG 3002 VM + T269 | 30.2  | 30760             | 61520       | 925    | 540.1000                           |
| PGA 3003 VM       | 29.4  | 30760             | 61520       | 925    | 1000                               |
| PGA 4203 VM       | 31.6  | 36200             | 72400       | 1111   | 1000                               |



CONTRIBUTING TO PEOPLE'S QUALITY OF LIFE, EVERY DAY.

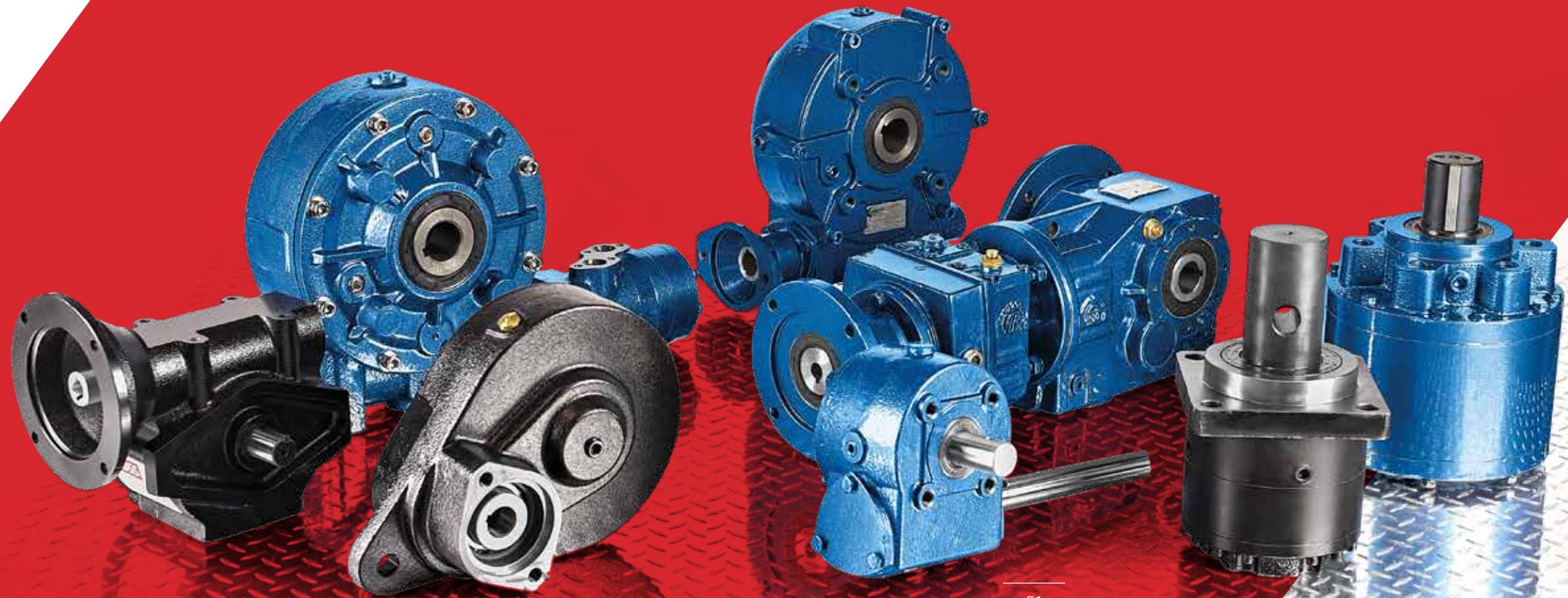




# REDUCERS

---

- Modular design available
- Very efficient
- Compact
- Innovative
- Cast iron and aluminum available





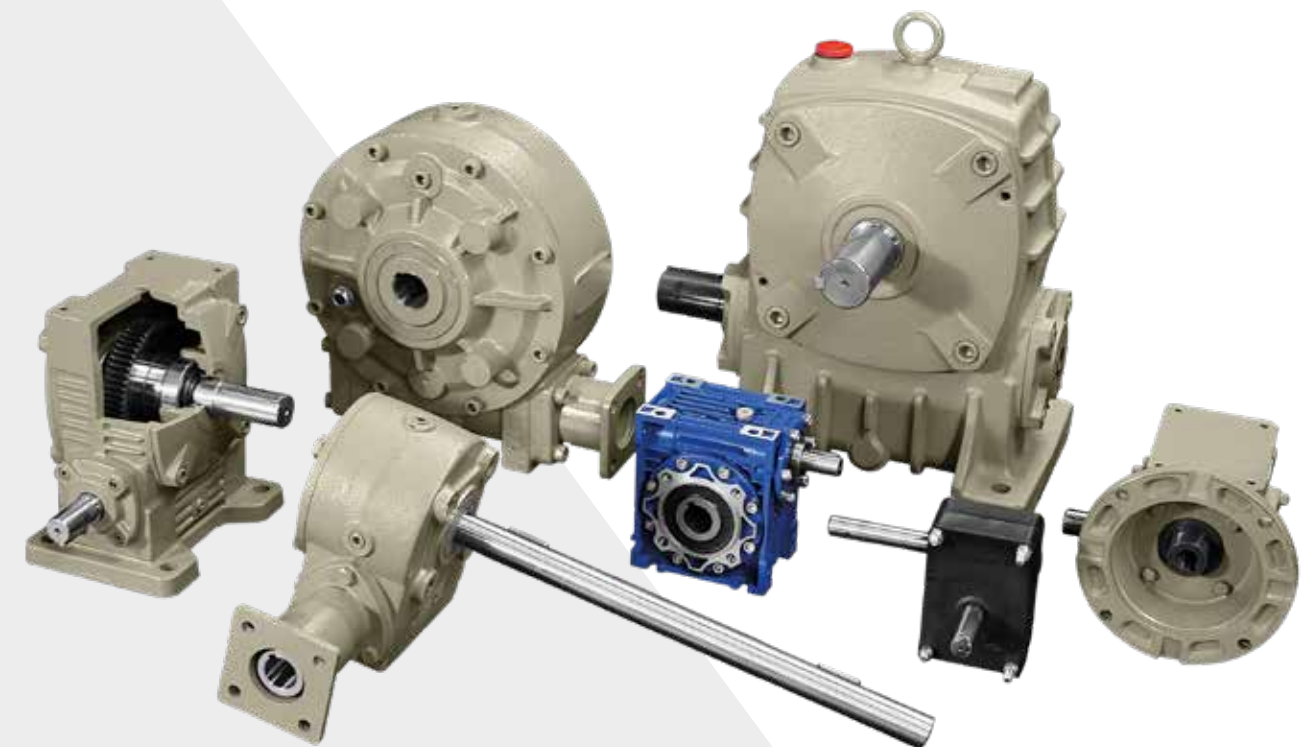
# TABLE OF CONTENTS

## WORM GEAR REDUCERS

|  |    |
|--|----|
| C/CC series .....                                    | 54 |
| UD series – Canimex foot-mounted worm gear .....     | 56 |
| CF/CFC series – Canimex imperial worm gear .....     | 58 |
| CMR/CCMR series – Universal worm gear reducers ..... | 61 |
| P40 – Nylon worm gear reducer .....                  | 63 |
| C/CC131.3 series – Canimex worm gear .....           | 66 |
| CK/CCK67.7 series – Canimex worm gear .....          | 67 |

## WORM GEAR REDUCERS

- Universal, modular and imperial designs
- Available in cast iron and aluminum
- Ratios from 10:1 to 1500:1
- Output torque from 20 to 1100 Nm
- 40 to 100 C/CC series model
- 100 to 375 C/CFC series model
- 125 to 175 UD series model
- 40 to 150 CMR/CCMR series model
- P40 series model



# WORM GEAR REDUCERS

C/CC SERIES – PERFORMANCE AT 1800 RPM



| Model size | Ratio* | Input power | Output torque | Overhung load | Applications |
|------------|--------|-------------|---------------|---------------|--------------|
| CC mm      | I      | HP          | lb-in         | lb            |              |
| 40         | 10     | 0.83        | 225.7         | 154.3         |              |
|            | 15     | 0.7         | 260.5         | 154.3         |              |
|            | 20     | 0.38        | 3182.3        | 154.3         |              |
|            | 30     | 0.43        | 286.5         | 154.3         |              |
|            | 40     | 0.26        | 217.0         | 154.3         |              |
|            | 50     | 0.25        | 243.1         | 154.3         |              |
|            | 60     | 0.2         | 208.4         | 154.3         |              |
| 50         | 10     | 1.44        | 398.5         | 220.4         |              |
|            | 15     | 1.07        | 424.5         | 253.5         |              |
|            | 20     | 0.65        | 334.3         | 286.5         |              |
|            | 30     | 0.68        | 471.4         | 330.6         |              |
|            | 40     | 0.44        | 390.7         | 374.7         |              |
|            | 50     | 0.39        | 395.0         | 440.8         |              |
| 60         | 10     | 2.32        | 645.9         | 216.0         |              |
|            | 15     | 1.72        | 686.7         | 255.7         |              |
|            | 20     | 1.21        | 620.8         | 304.2         |              |
|            | 30     | 1.14        | 808.3         | 332.8         |              |
|            | 40     | 0.82        | 718.0         | 392.3         |              |
|            | 50     | 0.77        | 842.1         | 440.8         |              |
| 70         | 10     | 3.48        | 1380.4        | 282.1         |              |
|            | 15     | 2.53        | 1449.9        | 337.2         |              |
|            | 20     | 1.93        | 1311.0        | 392.3         |              |
|            | 30     | 1.69        | 1719.0        | 436.4         |              |
|            | 40     | 1.24        | 1519.3        | 513.5         |              |
|            | 50     | 1.12        | 1745.1        | 586.3         |              |
| 80         | 10     | 4.93        | 972.4         | 397           |              |
|            | 15     | 3.57        | 1015.8        | 474           |              |
|            | 20     | 2.53        | 1015.8        | 558           |              |
|            | 30     | 2.38        | 1198.1        | 611           |              |
|            | 40     | 1.7         | 1137.3        | 719           |              |
|            | 50     | 1.57        | 1241.5        | 802           |              |
| 100        | 10     | 8.73        | 2474.3        | 368.1         |              |
|            | 15     | 6.34        | 2595.9        | 449.6         |              |
|            | 20     | 5.02        | 2708.7        | 526.8         |              |
|            | 30     | 4.2         | 3108.1        | 584.1         |              |
|            | 40     | 3.17        | 3047.3        | 696.5         |              |
|            | 50     | 2.39        | 2761          | 802           |              |
| 60         | 1.96   | 2639        | 882           |               |              |

- Motorized carts
- Conveyors
- Bale choppers
- Silo unloaders
- Compressors
- Granulators
- Manure applications
- Barrier arms
- Sliding barriers
- Swing gates
- ...

\*RHP available to achieve higher ratios

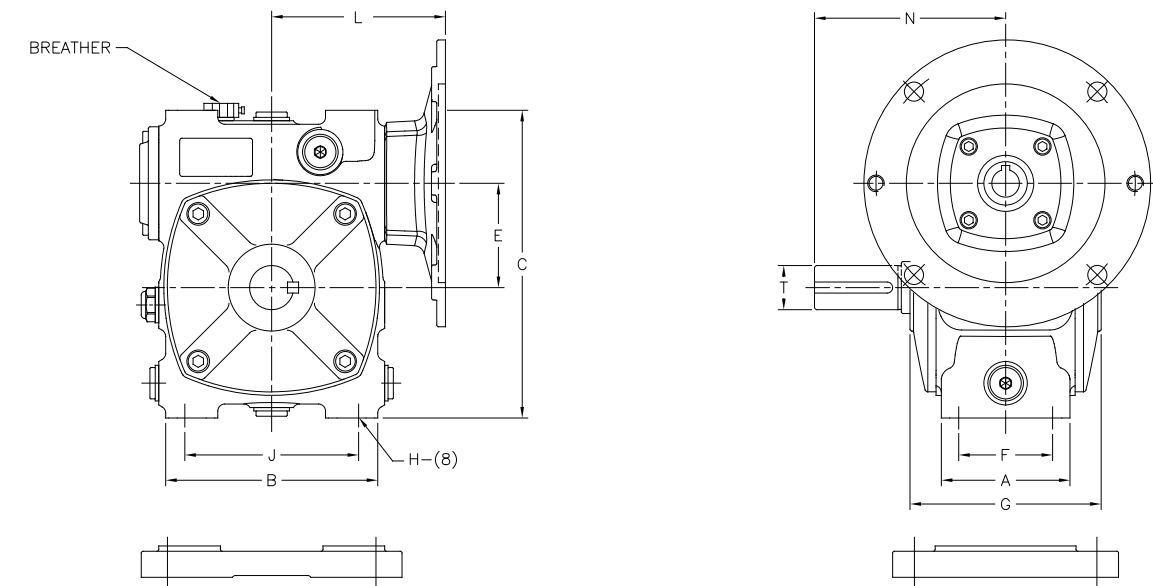
# WORM GEAR REDUCERS

C/CC SERIES – DIMENSIONS

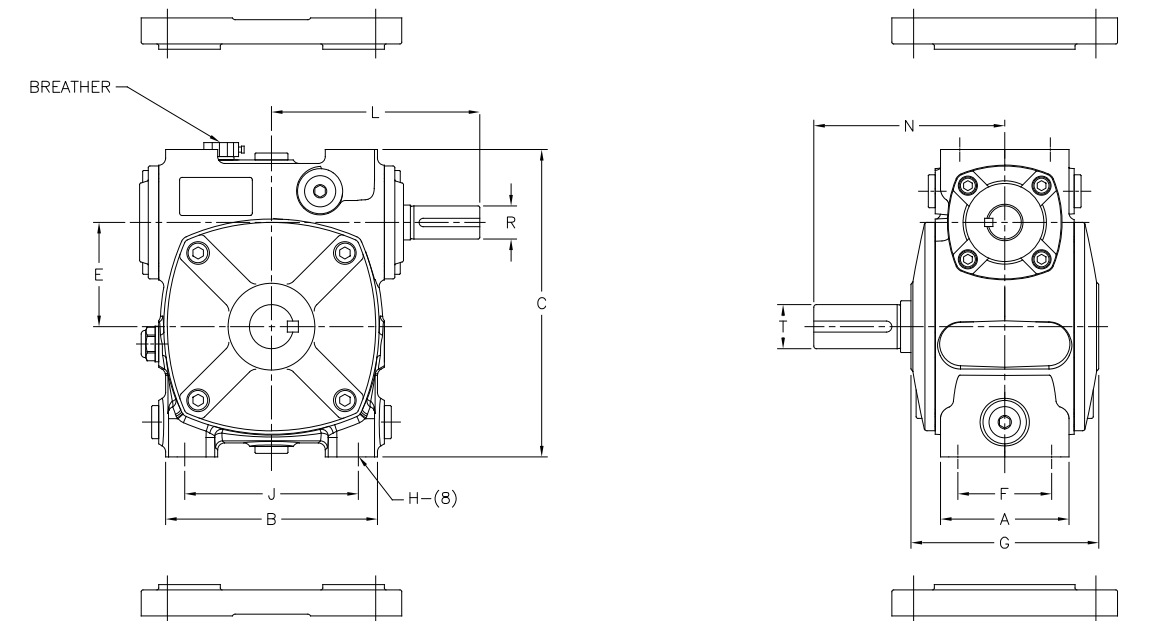


| C/CC series | Dimensions (in) |      |       |      |      |       |      |      |     |      |      |      | Input flange LQ |       |       | Weight |      |
|-------------|-----------------|------|-------|------|------|-------|------|------|-----|------|------|------|-----------------|-------|-------|--------|------|
|             | A               | B    | C     | E    | F    | G     | J    | R    | H   | L    | N    | T    | 56C             | 143TC | 182TC | lb     |      |
|             |                 |      |       |      |      |       |      |      |     |      |      |      | 145TC           | 184TC | C     | CC     |      |
| 40          | 2.68            | 4.21 | 5.00  | 1.58 | 2.13 | 2.795 | 3.15 | 0.50 | M8  | 3.78 | 3.31 | 0.63 | 3.48            | N/A   | N/A   | 9.0    | 11.0 |
| 50          | 2.60            | 4.33 | 5.91  | 1.97 | 1.97 | 3.86  | 3.54 | 0.63 | M8  | 4.15 | 3.74 | 0.75 | 3.74            | N/A   | N/A   | 10.3   | 12.7 |
| 60          | 2.91            | 4.80 | 6.97  | 2.36 | 2.13 | 4.33  | 3.94 | 0.75 | M10 | 4.72 | 4.33 | 1.00 | 3.94            | 3.94  | N/A   | 15.2   | 15.6 |
| 70          | 3.43            | 6.10 | 8.07  | 2.76 | 2.60 | 5.04  | 4.92 | 0.88 | M10 | 5.51 | 5.12 | 1.13 | 4.72            | 4.72  | 4.72  | 26.2   | 28.6 |
| 80          | 3.74            | 6.69 | 9.13  | 3.15 | 2.95 | 5.43  | 5.71 | 1.13 | M10 | 6.30 | 5.51 | 1.38 | 5.08            | 5.08  | 5.08  | 35.2   | 39.6 |
| 100         | 4.41            | 8.66 | 11.42 | 3.94 | 3.35 | 6.54  | 7.28 | 1.38 | M12 | 7.48 | 6.69 | 1.50 | 6.50            | 6.50  | 6.50  | 77.0   | 79.2 |

## CC



## C





# WORM GEAR REDUCERS

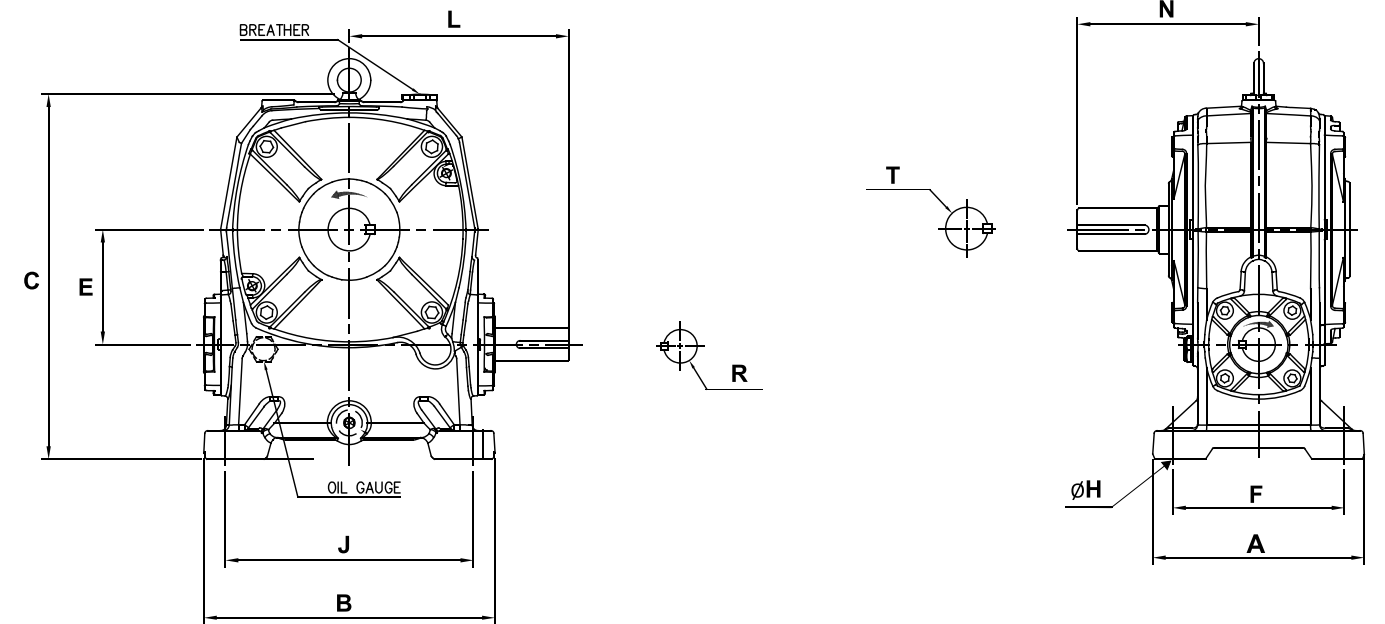
UD SERIES – CANIMEX FOOT-MOUNTED WORM GEAR – PERFORMANCE AT 1800 RPM

| Model size | Ratio | Input power | Output torque | Overhung load | Applications   |
|------------|-------|-------------|---------------|---------------|--|
| CC mm      | I     | HP          | In-lb         | lb            |  |
| 120        | 10    | 13.8        | 3967.6        | 390.1         | Motorized carts<br>Conveyors<br>Bale choppers<br>Silo unloaders<br>Compressors<br>Granulators<br>Manure applications<br>Barrier arms<br>Sliding barriers<br>Swing gates<br>... |
|            | 15    | 10          | 4167.3        | 480.5         |  |
|            | 20    | 7.16        | 3820.0        | 595.1         |  |
|            | 30    | 6.66        | 4992.1        | 628.1         |  |
|            | 40    | 4.68        | 4401.7        | 786.8         |  |
|            | 50    | 3.93        | 4731.6        | 890.4         |  |
|            | 60    | 3.14        | 4245.4        | 998.4         |  |
| 135        | 10    | 19.8        | 5730.0        | 670.0         |  |
|            | 15    | 14.7        | 6198.8        | 797.8         |  |
|            | 20    | 11.3        | 6294.3        | 938.9         |  |
|            | 30    | 9.68        | 7466.4        | 1031.5        |  |
|            | 40    | 6.98        | 7014.9        | 1247.5        |  |
|            | 50    | 5.28        | 6441.9        | 1432.6        |  |
| 155        | 60    | 4.15        | 5816.8        | 1595.7        |  |
|            | 10    | 32.9        | 9916          | 3304          |  |
|            | 15    | 22.9        | 9204          | 3304          |  |
|            | 20    | 14.9        | 9250          | 3304          |  |
|            | 30    | 13.3        | 9736          | 3304          |  |
|            | 40    | 9.32        | 9205          | 3304          |  |
| 175        | 50    | 7.13        | 8595          | 3304          |  |
|            | 60    | 5.85        | 8275          | 3304          |  |
|            | 10    | 46.8        | 13020         | 3969          |  |
|            | 15    | 33.0        | 13373         | 3969          |  |
|            | 20    | 22.8        | 12240         | 3969          |  |
|            | 30    | 19.0        | 14161.2       | 3969          |  |
| 175        | 40    | 13.2        | 12940         | 3969          |  |
|            | 50    | 9.78        | 11719         | 3969          |  |
|            | 60    | 8.23        | 11461         | 3969          |  |

# WORM GEAR REDUCERS

UD SERIES – CANIMEX FOOT-MOUNTED WORM GEAR – PERFORMANCE AT 1800 RPM

| UD series | Dimensions (in) |       |       |      |      |       |      |      |       |      |      | Weight |
|-----------|-----------------|-------|-------|------|------|-------|------|------|-------|------|------|--------|
|           | A               | B     | C     | E    | F    | J     | R    | H    | L     | N    | T    | lb     |
| 120       | 8.74            | 12    | 15    | 4.72 | 7.1  | 10.24 | 1.37 | 0.71 | 9.06  | 7.48 | 1.75 | 99     |
| 135       | 9.45            | 13.2  | 16.7  | 5.31 | 7.87 | 11.4  | 1.63 | 0.71 | 10.24 | 8.27 | 2.25 | 143    |
| 155       | 10.47           | 14.57 | 18.46 | 6.1  | 8.66 | 12.6  | 1.63 | 0.79 | 11.89 | 9.92 | 2.5  | 198    |
| 175       | 11.65           | 15.75 | 21.1  | 6.9  | 9.84 | 13.78 | 1.88 | 0.83 | 12.8  | 10.3 | 2.75 | 320    |



# WORM GEAR REDUCERS

CF/CFC SERIES – CANIMEX IMPERIAL WORM GEAR – PERFORMANCE AT 1750 RPM



| Model size | Ratio | Input power | Output torque | Overhung load | Applications   |
|------------|-------|-------------|---------------|---------------|--|
| 1/100 inch | I     | HP          | In-lb         | lb            |  |
| 1.33       | 5     | 1.249       | 202           | 300           |  |
|            | 7.5   | 0.910       | 216           | 300           |  |
|            | 10    | 0.699       | 216           | 300           |  |
|            | 15    | 0.543       | 228           | 300           |  |
|            | 20    | 0.414       | 230           | 300           |  |
|            | 25    | 0.350       | 231           | 300           |  |
|            | 30    | 0.334       | 234           | 300           |  |
|            | 40    | 0.262       | 242           | 300           |  |
|            | 50    | 0.204       | 216           | 300           |  |
|            | 60    | 0.180       | 202           | 300           |  |
|            | 80    | 0.121       | 186           | 300           |  |
| 100        | 0.085 | 147         | 300           |               |  |
| 1.54       | 5     | 1.706       | 275           | 500           | Motorized carts<br>Conveyors<br>Bale choppers<br>Silo unloaders<br>Compressors<br>Granulators<br>Manure applications<br>Barrier arms<br>Sliding barriers<br>Swing gates<br>... |
|            | 7.5   | 1.300       | 309           | 500           |  |
|            | 10    | 0.984       | 305           | 500           |  |
|            | 15    | 0.725       | 315           | 500           |  |
|            | 20    | 0.586       | 326           | 500           |  |
|            | 25    | 0.483       | 323           | 500           |  |
|            | 30    | 0.437       | 323           | 500           |  |
|            | 40    | 0.349       | 322           | 500           |  |
|            | 50    | 0.287       | 311           | 500           |  |
|            | 60    | 0.257       | 323           | 500           |  |
|            | 80    | 0.180       | 289           | 500           |  |
| 100        | 0.121 | 230         | 500           |               |  |
| 1.75       | 5     | 1.928       | 314           | 700           |  |
|            | 7.5   | 1.75        | 416           | 700           |  |
|            | 10    | 1.30        | 406           | 700           |  |
|            | 15    | 0.910       | 403           | 700           |  |
|            | 20    | 0.81        | 455           | 700           |  |
|            | 25    | 0.662       | 441           | 700           |  |
|            | 30    | 0.543       | 414           | 700           |  |
|            | 40    | 0.47        | 442           | 700           |  |
|            | 50    | 0.396       | 417           | 700           |  |
|            | 60    | 0.30        | 397           | 700           |  |
|            | 80    | 0.213       | 353           | 700           |  |
| 100        | 0.14  | 281         | 700           |               |  |
| 2.06       | 5     | 3.30        | 542           | 700           |  |
|            | 7.5   | 2.46        | 594           | 700           |  |
|            | 10    | 1.96        | 624           | 700           |  |
|            | 15    | 1.41        | 643           | 700           |  |
|            | 20    | 1.16        | 683           | 700           |  |
|            | 25    | 0.96        | 672           | 700           |  |
|            | 30    | 0.82        | 663           | 700           |  |
|            | 40    | 0.67        | 675           | 700           |  |
|            | 50    | 0.55        | 636           | 700           |  |
|            | 60    | 0.46        | 627           | 700           |  |
|            | 80    | 0.29        | 494           | 700           |  |
| 100        | 0.20  | 397         | 700           |               |  |

# WORM GEAR REDUCERS

CF/CFC SERIES – CANIMEX IMPERIAL WORM GEAR – PERFORMANCE AT 1750 RPM

| Model size | Ratio | Input power | Output torque | Overhung load | Applications   |
|------------|-------|-------------|---------------|---------------|--|
| 1/100 inch | I     | HP          | In-lb         | lb            |  |
| 2.38       | 5     | 3.962       | 653           | 920           |  |
|            | 7.5   | 3.65        | 867           | 920           |  |
|            | 10    | 2.80        | 894           | 920           |  |
|            | 15    | 2.07        | 953           | 920           |  |
|            | 20    | 1.68        | 987           | 920           |  |
|            | 25    | 1.40        | 992           | 920           |  |
|            | 30    | 1.19        | 970           | 920           |  |
|            | 40    | 0.98        | 984           | 920           |  |
|            | 50    | 0.81        | 955           | 920           |  |
|            | 60    | 0.63        | 881           | 920           |  |
|            | 80    | 0.42        | 747           | 920           |  |
| 100        | 0.28  | 583         | 920           |               |  |
| 2.62       | 5     | 5.37        | 887           | 1030          | Motorized carts<br>Conveyors<br>Bale choppers<br>Silo unloaders<br>Compressors<br>Granulators<br>Manure applications<br>Barrier arms<br>Sliding barriers<br>Swing gates<br>... |
|            | 7.5   | 4.66        | 1108          | 1030          |  |
|            | 10    | 3.43        | 1105          | 1030          |  |
|            | 15    | 2.43        | 1142          | 1030          |  |
|            | 20    | 2.16        | 1288          | 1030          |  |
|            | 25    | 1.77        | 1301          | 1030          |  |
|            | 30    | 1.46        | 1239          | 1030          |  |
|            | 40    | 1.23        | 1279          | 1030          |  |
|            | 50    | 1.10        | 1257          | 1030          |  |
|            | 60    | 0.84        | 1188          | 1030          |  |
|            | 80    | 0.54        | 975           | 1030          |  |
| 100        | 0.34  | 747         | 1030          |               |  |
| 3.00       | 5     | 6.79        | 1130          | 1300          |  |
|            | 7.5   | 6.40        | 1521          | 1300          |  |
|            | 10    | 4.98        | 1787          | 1300          |  |
|            | 15    | 3.82        | 2011          | 1300          |  |
|            | 20    | 2.94        | 1991          | 1300          |  |
|            | 25    | 2.51        | 2096          | 1300          |  |
|            | 30    | 1.46        | 1239          | 1300          |  |
|            | 40    | 1.23        | 1279          | 1300          |  |
|            | 50    | 1.10        | 1257          | 1300          |  |
|            | 60    | 0.84        | 1188          | 1300          |  |
|            | 80    | 0.54        | 975           | 1300          |  |
| 100        | 0.34  | 747         | 1300          |               |  |
| 3.25       | 5     | 16.26       | 2725          | 1350          |  |
|            | 7.5   | 14.40       | 3414          | 1350          |  |
|            | 10    | 11.39       | 3715          | 1350          |  |
|            | 15    | 8.33        | 3970          | 1350          |  |
|            | 20    | 6.69        | 4086          | 1350          |  |
|            | 25    | 5.58        | 4147          | 1350          |  |
|            | 30    | 2.81        | 2403          | 1350          |  |
|            | 40    | 2.30        | 2471          | 1350          |  |
|            | 50    | 1.93        | 2406          | 1350          |  |
|            | 60    | 1.54        | 2331          | 1350          |  |
|            | 80    | 1.02        | 1903          | 1350          |  |
| 100        | 0.69  | 1510        | 1350          |               |  |

REDUCERS

REDUCERS



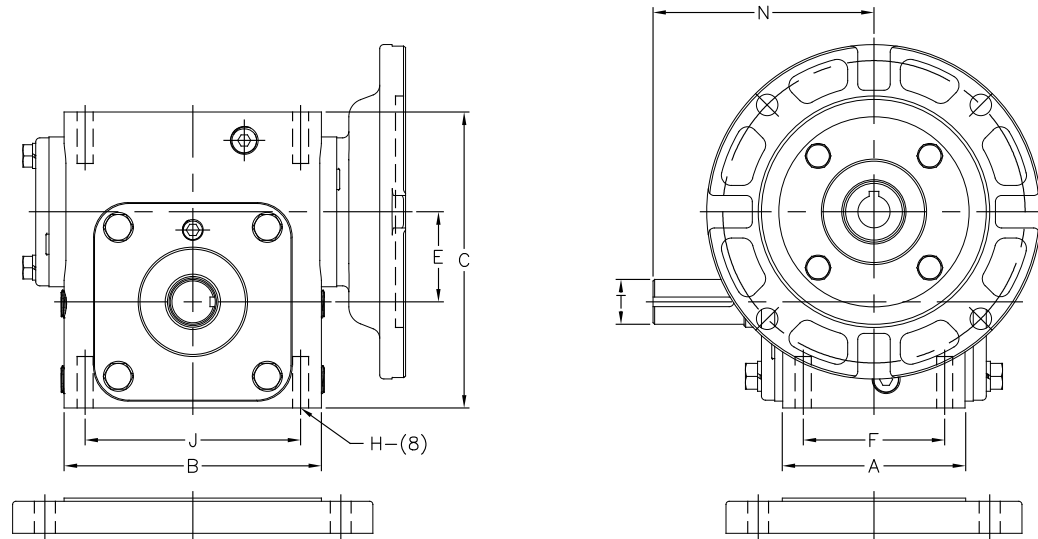
# WORM GEAR REDUCERS

CF/CFC SERIES – CANIMEX IMPERIAL WORM GEAR – DIMENSIONS

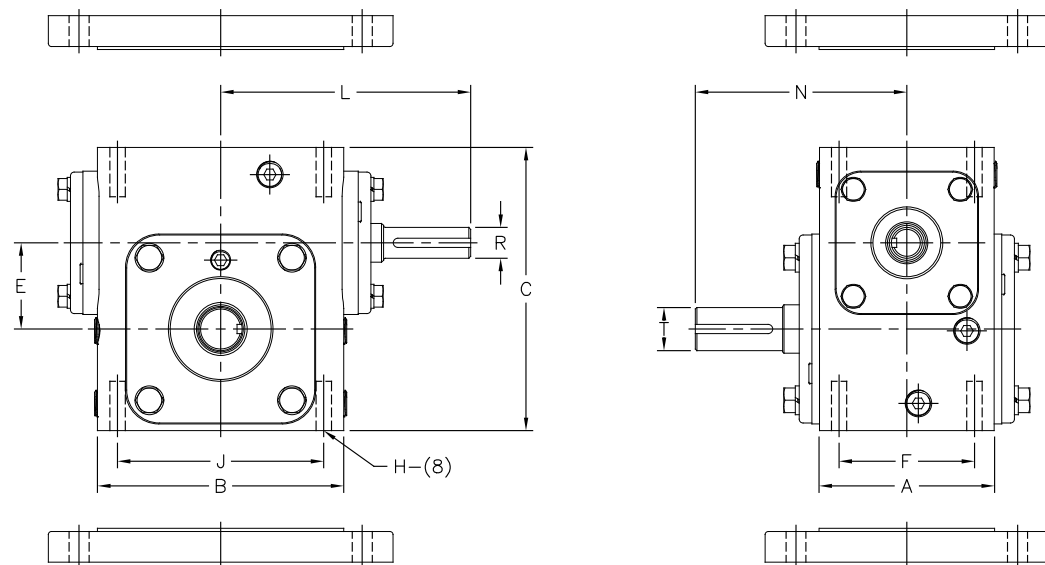


| Model size<br>CF | Dimensions (in) |      |       |       |      |      |       |         |      |      |       | Input flange LQ |       |       | Weight |       |
|------------------|-----------------|------|-------|-------|------|------|-------|---------|------|------|-------|-----------------|-------|-------|--------|-------|
|                  |                 |      |       |       |      |      |       |         |      |      |       | 56C             | 143TC | 182TC | lb     |       |
|                  | A               | B    | C     | E     | F    | J    | R     | H       | L    | N    | T     | 145TC           | 184TC | CF    | CFC    |       |
| 133              | 2.88            | 4.25 | 4.64  | 1.33  | 2.00 | 3.25 | 0.50  | 5/16-18 | 3.91 | 4.00 | 0.625 | 3.94            | 3.94  | N/A   | 11.0   | 12.0  |
| 154              | 3.69            | 5.13 | 5.38  | 1.54  | 2.75 | 4.19 | 0.625 | 5/16-18 | 4.69 | 4.31 | 0.75  | 4.50            | 4.50  | N/A   | 18.0   | 18.0  |
| 175              | 3.69            | 5.50 | 5.75  | 1.75  | 2.75 | 4.19 | 0.625 | 5/16-18 | 4.88 | 4.31 | 0.875 | 4.69            | 4.69  | N/A   | 20.0   | 20.0  |
| 206              | 3.81            | 6.00 | 6.38  | 2.06  | 2.88 | 5.00 | 0.625 | 3/8-16  | 5.13 | 4.69 | 1.00  | 5.06            | 5.06  | N/A   | 25.0   | 25.0  |
| 238              | 4.06            | 6.38 | 6.94  | 2.38  | 2.88 | 5.00 | 0.75  | 3/8-16  | 5.75 | 5.09 | 1.125 | 5.25            | 5.25  | 5.69  | 31.0   | 31.0  |
| 262              | 4.44            | 7.38 | 8     | 2.625 | 3.38 | 6.38 | 0.75  | 3/8-16  | 6.31 | 5.63 | 1.125 | 5.75            | 5.75  | 6.19  | 43.0   | 46.0  |
| 325              | 5.88            | 9    | 9.38  | 3.25  | 4    | 7.5  | 0.875 | 7/16-14 | 7.44 | 7.06 | 1.375 | 6.56            | 6.56  | 7     | 72.0   | 84.0  |
| 375              | 6.38            | 10   | 10.44 | 3.75  | 4.75 | 8.5  | 1     | 1/2-16  | 8.38 | 7.75 | 1.625 | 7.06            | 7.06  | 7.5   | 105.0  | 117.0 |

## CFC



## CF



# WORM GEAR REDUCERS

CMR/CCMR SERIES – UNIVERSAL WORM GEAR REDUCERS – PERFORMANCE AT 1750 RPM



| Model  | Output torque                  | Ratio   | Input power              | Overhung load | Applications   |
|--------|--------------------------------|---------|--------------------------|---------------|--|
| 25-150 | 2.6– 2670 Nm<br>23-23631 lb-in | 7.5-100 | 0.08-20 hp<br>0.06-15 kW | 35-630 lb     | Motorized carts<br>Conveyors<br>Bale choppers<br>Silo unloaders<br>Compressors<br>Granulators<br>Manure applications<br>Barrier arms<br>Sliding barriers<br>Swing gates<br>... |

Models 25-90: aluminum housing  
Models 110-150: cast iron housing

Double and helical worms available for all sizes.

Output flanges, torque arms and foot mounts available for all sizes.

Male output shaft available in metric and imperial sizes.

Nema and IEC input flanges available for all sizes.

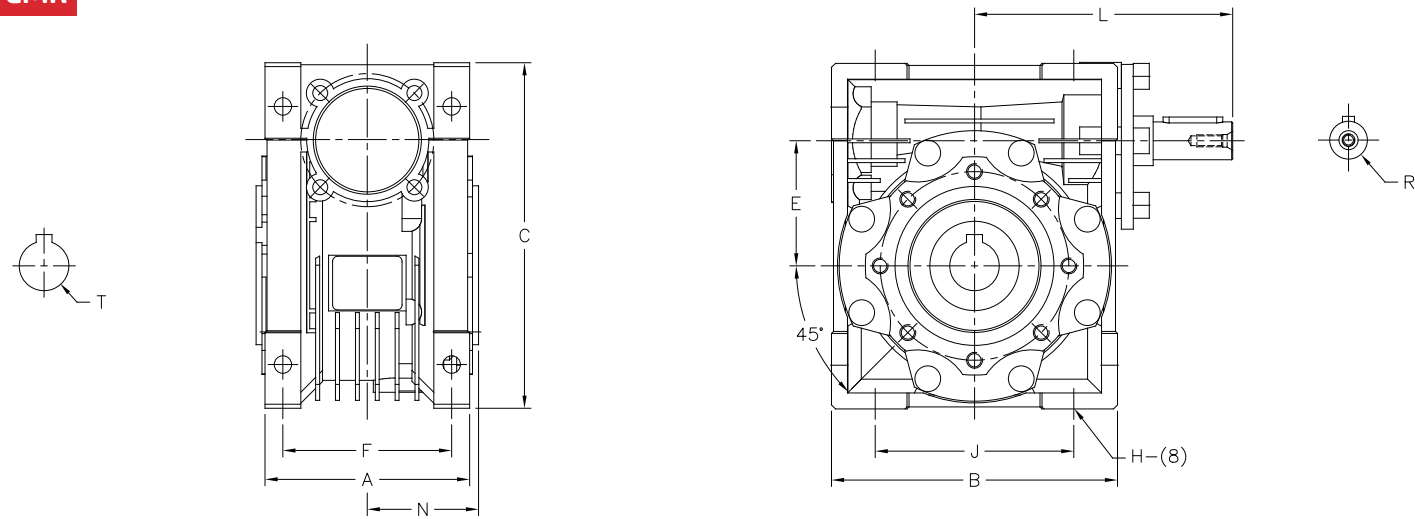
# WORM GEAR REDUCERS

CMR/CCMR SERIES – UNIVERSAL WORM GEAR REDUCERS – DIMENSIONS

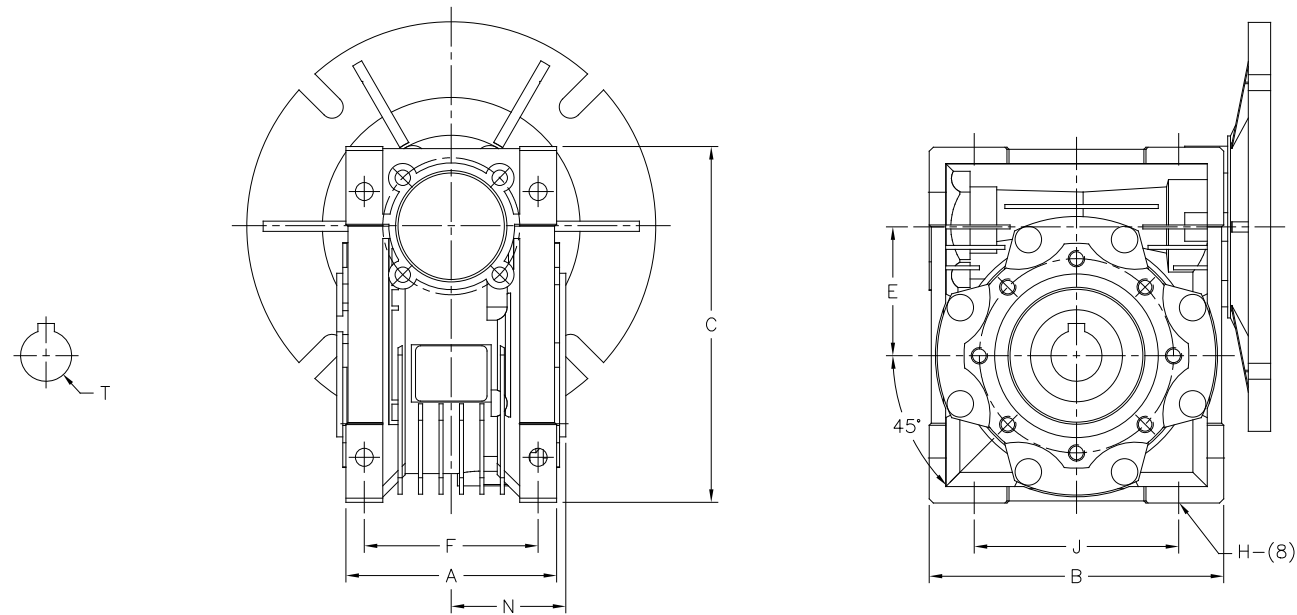


| CMR model | Dimensions (mm) |     |       |     |     |     |    |      |       |    |    |    | Input flange LQ NEMA (mm) |       |       |       |       |     | Weight lb |
|-----------|-----------------|-----|-------|-----|-----|-----|----|------|-------|----|----|----|---------------------------|-------|-------|-------|-------|-----|-----------|
|           | A               | B   | C     | E   | F   | J   | R  | H    | L     | N  | T  | 63 | 71                        | 80    | 90    | 100   | 112   | 132 |           |
| 40        | 71              | 100 | 121.5 | 40  | 60  | 70  | 11 | 6.5  | 162   | 39 | 18 | 71 | 71                        | -     | -     | -     | -     | -   | 2.1       |
| 50        | 85              | 120 | 144   | 50  | 70  | 80  | 14 | 8.5  | 110.5 | 46 | 25 | 80 | 80                        | -     | -     | -     | -     | -   | 3.5       |
| 63        | 103             | 144 | 174   | 63  | 85  | 100 | 18 | 8.5  | 235   | 56 | 25 | -  | 95                        | 95    | 95    | -     | -     | -   | 6.0       |
| 75        | 112             | 172 | 205   | 75  | 90  | 120 | 24 | 11.5 | 526   | 60 | 28 | -  | -                         | 112.5 | 112.5 | 112.5 | 112.5 | -   | 9.0       |
| 90        | 130             | 206 | 238   | 90  | 100 | 140 | 24 | 13   | 694   | 70 | 35 | -  | -                         | 130   | 130   | 130   | 130   | -   | 14.0      |
| 110       | 144             | 255 | 295   | 110 | 115 | 170 | 28 | 14   | 668   | 78 | 42 | -  | -                         | -     | 160   | 160   | 160   | 160 | 35        |

## CMR



## CCMR



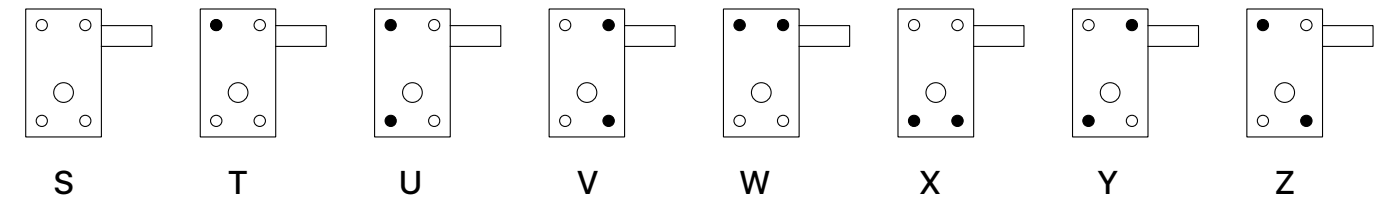
# WORM GEAR REDUCERS

P40 – NYLON WORM GEAR REDUCER



| Maximum input speed | Maximum output torque (dynamic) | Maximum output torque (static) |
|---------------------|---------------------------------|--------------------------------|
| RPM                 | In-lb                           | In-lb                          |
| 50 to 100           | 500                             | 800                            |

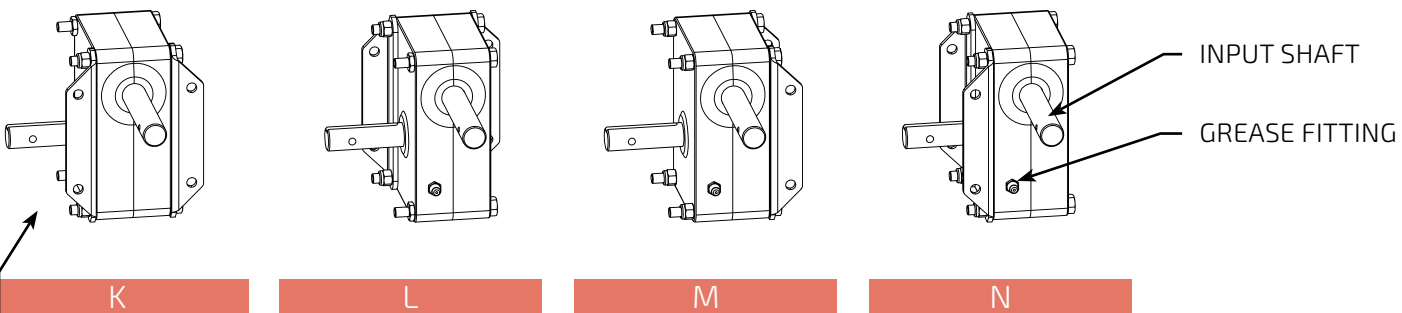
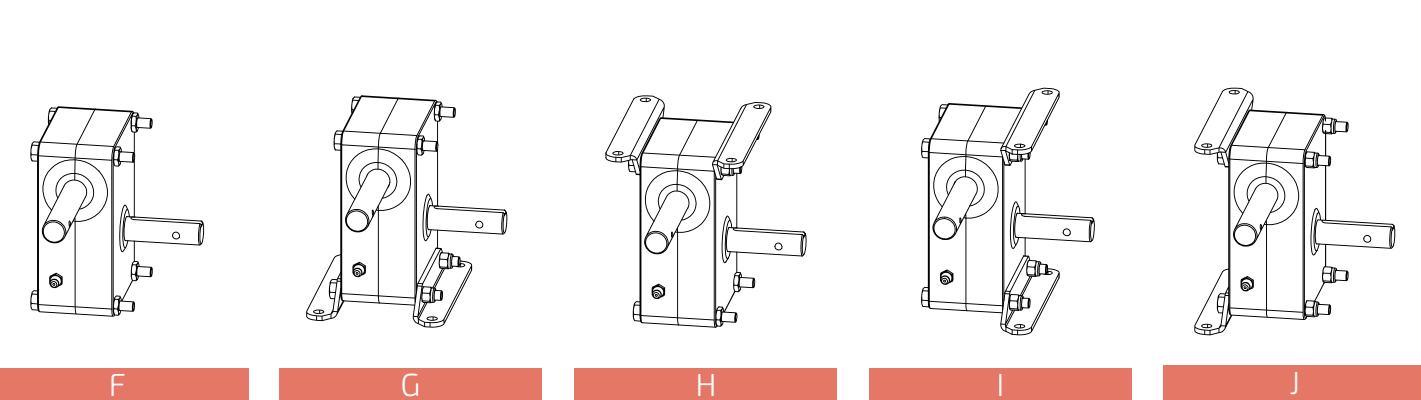
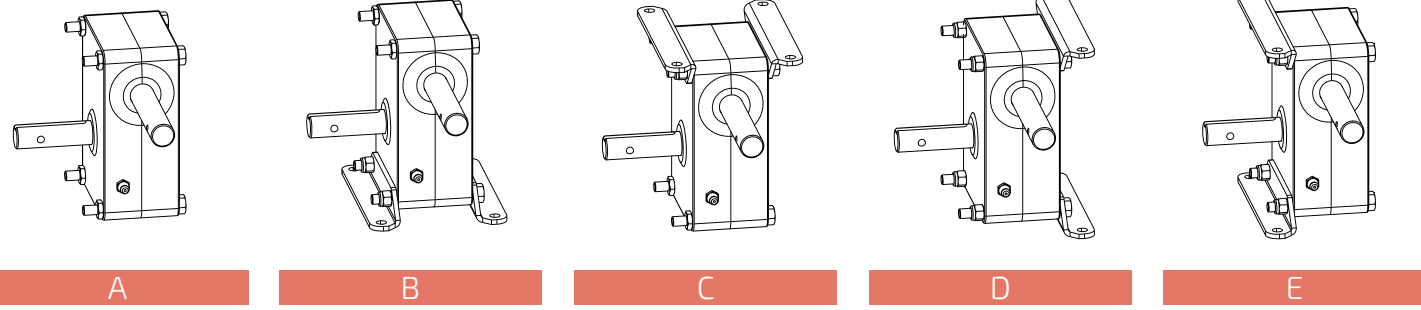
| Bolt sizes, lengths and positions           |   |  |  | Applications   |
|---|---|--|--|--|
| With base                                   |   | Without base                                     |  |  |
| 2 x 1/4 - 28 UNF - 2 1/2" long, zinc-plated | 2 x 1/4 - 28 UNF - 2 3/4" (or 3") long, zinc-plated | 2 or 4 x 1/4 - 28 UNF - 2 1/2" long, zinc-plated | 2 or 4 x 1/4 - 28 UNF - 2 3/4" (or 3") long, zinc-plated | Equipment in greenhouses:<br>Heating and cooling systems<br>Ventilation<br>Climate control |



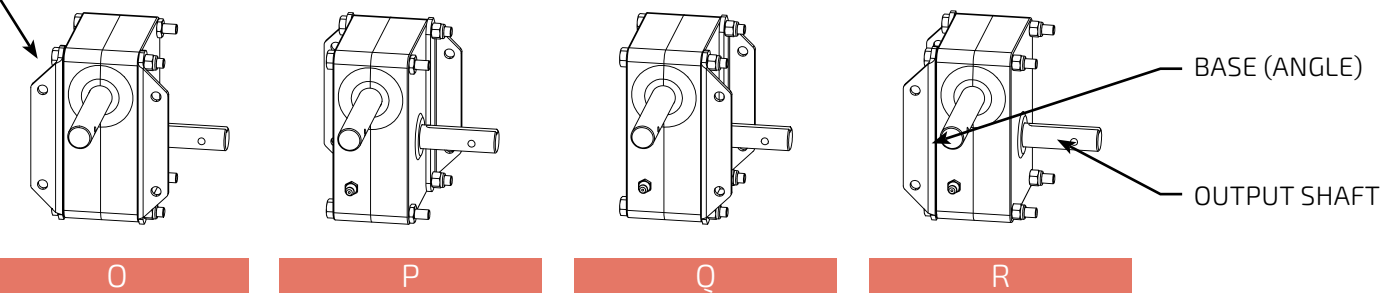


# WORM GEAR REDUCERS

P40 – NYLON WORM GEAR REDUCER – MOUNTING

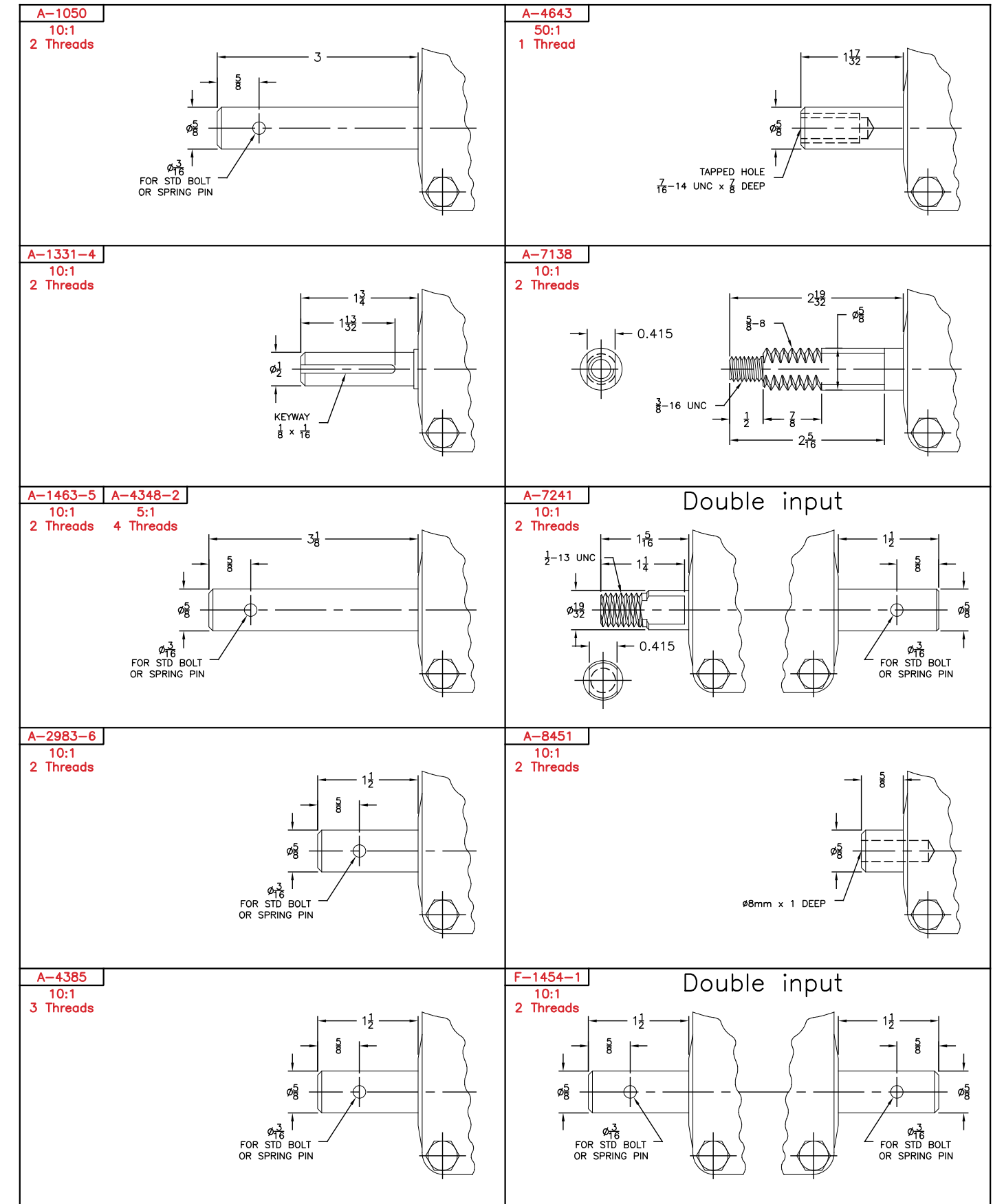


GREASE FITTING ON BACK



# WORM GEAR REDUCERS

P40 – NYLON WORM GEAR REDUCER – INPUT SHAFT DIMENSIONS



# WORM GEAR REDUCERS

C/CC131.3 SERIES – CANIMEX WORM GEAR – PERFORMANCE AT 1750 RPM



| Model size | Center distance | Ratio | Input power | Output torque | Overhung load | Applications  |
|------------|-----------------|-------|-------------|---------------|---------------|---------------|
|            | mm              | I     | HP          | lb-in         | lb            |               |
| 131        | 131             | 25:1  | 7.94        | 6221          | N/A           | Snow and ice  |
|            |                 | 50:1  | 4.44        | 6233          | N/A           | Salt spreader |

| C/CC131.3 |               |                |                    |               |                         |                                  |
|-----------|---------------|----------------|--------------------|---------------|-------------------------|----------------------------------|
| Ratio     | Input         | Extended input |                    | Output        |                         |                                  |
|           | SAE A flange  | Dia.           | Length             | Dia.          | Length                  |                                  |
| 25        | 2-bolt flange |                |                    | 1 1/4         | Hollow                  |                                  |
|           | 4-bolt flange |                |                    | 1 1/2         | Hollow 28 1/2    26 1/2 |                                  |
|           | 4-bolt flange | 1              | 1/2<br>7/8<br>11/2 | 5/8<br>1<br>4 | 13/4                    | Hollow    29 5/8                 |
|           |               |                |                    |               |                         |                                  |
|           |               |                |                    |               | 2                       | Hollow 28 1/2    3 1/2<br>29 5/8 |
| 50        | 2-bolt flange | 1              | 4                  | 11/2          | 26 3/8    28 1/2        |                                  |
|           | 4-bolt flange | 1              | 5/8<br>1<br>4      | 11/2<br>13/4  | Hollow                  |                                  |
|           |               |                |                    |               |                         | 1                                |
|           |               |                |                    |               |                         |                                  |

Dimensions are in inches.

Customized shafts available with large volume orders.

# WORM GEAR REDUCERS

CK/CCK67.7 SERIES – CANIMEX WORM GEAR – PERFORMANCE AT 1750 RPM



| Model size | Centre distance | Ratio | Input power | Output torque | Overhung load | Applications                  |
|------------|-----------------|-------|-------------|---------------|---------------|-------------------------------|
|            | mm              | I     | HP          | lb-in         | lb            |                               |
| 67.7       | 67.7            | 5     | 5.26        | 882           | N/A           | Snow and ice<br>Salt spreader |
|            |                 | 10    | 3.18        | 1000          |               |                               |
|            |                 | 20    | 1.93        | 1085          |               |                               |
|            |                 | 50    | 1.04        | 1154          |               |                               |

| Ratio | Standard Canimex shaft sizes |                                  |                               |        |                            |                |        |          |        |        |      |        |
|-------|------------------------------|----------------------------------|-------------------------------|--------|----------------------------|----------------|--------|----------|--------|--------|------|--------|
|       | CK67.7                       |                                  |                               |        |                            | CCK67.7        |        |          |        |        |      |        |
|       | Input                        |                                  | Output                        |        | Input                      | Extended input |        | Output   |        |        |      |        |
|       | Dia.                         | Length                           | Dia.                          | Length | SAE A flange               | Dia.           | Length | Dia.     | Length |        |      |        |
| 5     | 1 1/4                        | 15 1/8                           | 15 7/8                        | 1 1/4  | 28 5/8                     | 4-bolt flange  | 1      | 2        | 11/4   | 6      |      |        |
| 10    |                              |                                  |                               | 1      |                            | 4-bolt flange  | 1      | 2        | 1      | 15     |      |        |
|       |                              |                                  |                               |        |                            | 4-bolt flange  |        |          | 11/4   | 2 5/8  |      |        |
| 20    | 1                            | 5 1/2<br>7 1/2<br>7 7/8<br>8 3/4 | 6 1/2<br>7 3/4<br>8<br>10 3/4 | 11/8   | 14 3/8<br>18 1/8<br>18 1/2 | 4-bolt flange  | 1      | 2        | 1      | 19 7/8 |      |        |
|       |                              |                                  |                               |        |                            | 4-bolt flange  |        |          | 11/8   | 2      |      |        |
|       |                              |                                  |                               |        |                            |                |        |          |        |        | 17   | 17 1/4 |
|       |                              |                                  |                               |        |                            | 11/4           | 18     | 18 15/16 |        |        | 11/4 | 14, 16 |
|       |                              |                                  |                               |        |                            | 1              | 15     | 15 1/2   |        |        |      |        |
| 50    | 1                            | 2<br>6 1/2                       | 3 3/4<br>8 3/4                | 11/8   | 14 1/2                     | 18 1/8         |        |          |        |        |      |        |
|       |                              |                                  |                               | 11/4   | 14<br>19 3/4               | 18 1/4         |        |          |        |        |      |        |

REDUCERS

REDUCERS



# P.T.O.

---

- Complete line of drivelines
- Long lubrication interval
- Wide selection of accessories
- Miscellaneous applications



# TABLE OF CONTENTS

---

## P.T.O.

|                                    |    |
|------------------------------------|----|
| E series – Complete assembly ..... | 72 |
| T series – Complete assembly ..... | 72 |
| V series – Complete assembly ..... | 73 |

## AGRICULTURAL YOKES

|                                     |    |
|-------------------------------------|----|
| Slide collar yoke .....             | 76 |
| Shear bolt torque limiter B .....   | 77 |
| Overrunning clutch R .....          | 78 |
| Disc clutch torque limiter RF ..... | 79 |

## CROSS AND BEARING KITS

|                      |    |
|----------------------|----|
| V-T CVJ series ..... | 82 |
| V series .....       | 82 |
| T series .....       | 82 |

## SAFETY GUARD

|                      |    |
|----------------------|----|
| Complete guard ..... | 86 |
| Cones .....          | 87 |

## HIGH-SPEED P.T.O. - CNX

|                                |    |
|--------------------------------|----|
| Technical specifications ..... | 92 |
| HSR10 series .....             | 93 |
| HSR20 series .....             | 94 |
| HSS20 series .....             | 95 |
| Yokes .....                    | 96 |

## P.T.O.

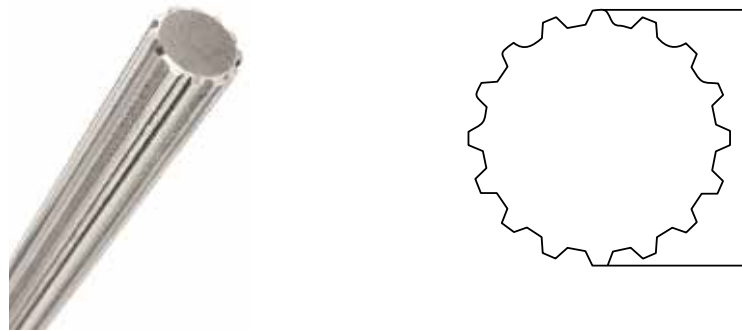
- Up to 50 hours greasing interval
- Centralized greasing system
- Complete line of drivelines: E, T, V series
- 540 to 1,000 RPM
- Models available from 10 to 120 type
- Models from 12 to 221 kW
- Models from 16 to 300 HP





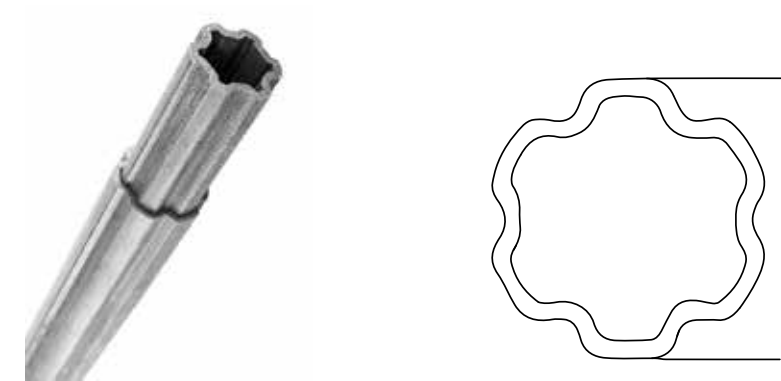
E SERIES – Complete assembly – Performance at 540 and 1000 RPM

| Type | 540 RPM | 1000 RPM |
|------|---------|----------|
|      | HP      | HP       |
| 40   | 35      | 55       |
| 50   | 47      | 74       |
| 60   | 64      | 100      |
| 80   | 95      | 150      |
| 90   | 120     | 190      |



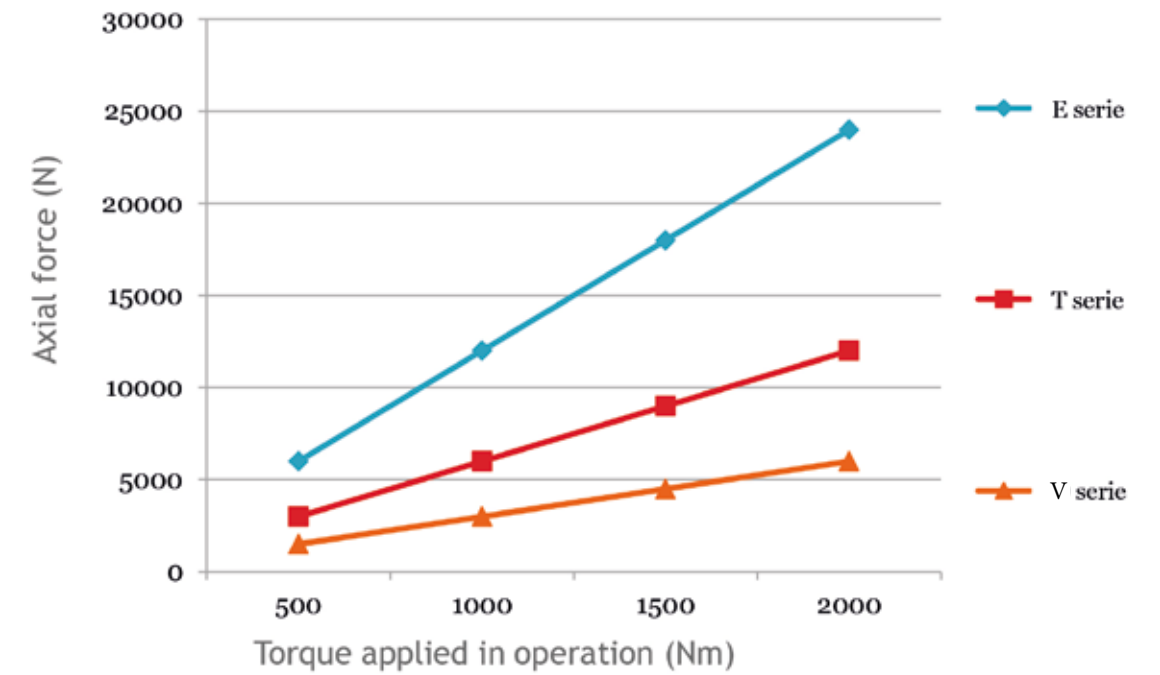
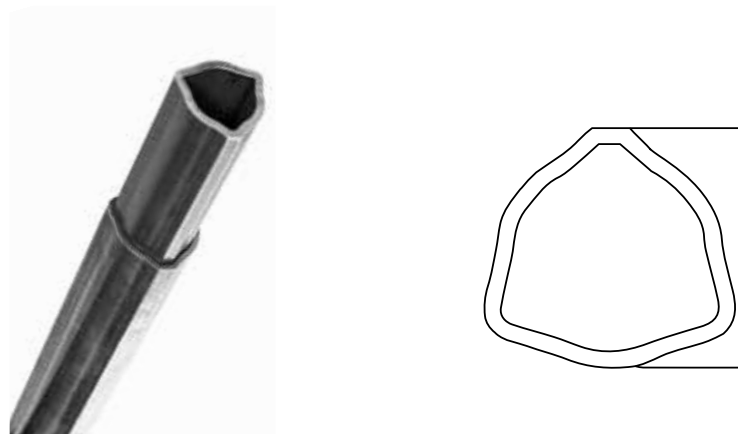
V SERIES – Complete assembly – Performance at 540 and 1000 RPM

| Type | 540 RPM | 1000 RPM |
|------|---------|----------|
|      | HP      | HP       |
| 20   | 23      | 36       |
| 40   | 38      | 58       |
| 50   | 50      | 77       |
| 60   | 68      | 105      |
| 80   | 100     | 154      |
| 90   | 120     | 190      |



T SERIES – Complete assembly – Performance at 540 and 1000 RPM

| Type | 540 RPM | 1000 RPM |
|------|---------|----------|
|      | HP      | HP       |
| 10   | 16      | 25       |
| 20   | 21      | 31       |
| 40   | 35      | 55       |
| 50   | 47      | 74       |
| 60   | 64      | 100      |
| 80   | 95      | 150      |
| 90   | 120     | 190      |



# AGRICULTURAL YOKES

- B to W agricultural yoke models
- Slide collar, outer yoke and long yoke
- For HS10 and HS20 high-speed PTO models
- Several sizes available
- Left and right side models
- P.T.O. security element





# AGRICULTURAL YOKES

## SLIDE COLLAR YOKE

| Type | Ref. | A         | B   | C   | D    | Supplier code |
|------|------|-----------|-----|-----|------|---------------|
|      |      | in        | mm  |     |      |               |
| 10   | C12  | 1 3/8 Z6  | 73  | 102 | 26   | 141.021.319   |
|      | C13  | 1 3/8 Z21 | 73  | 102 | 26   | 141.021.320   |
| 20   | C12  | 1 3/8 Z6  | 80  | 109 | 26   | 141.022.324   |
|      | C13  | 1 3/8 Z21 | 80  | 109 | 26   | 141.022.327   |
| 40   | C12  | 1 3/8 Z6  | 94  | 111 | 26   | 141.024.430   |
|      | C13  | 1 3/8 Z21 | 94  | 111 | 26   | 141.025.437   |
| 50   | C12  | 1 3/8 Z6  | 100 | 117 | 26   | 141.025.363   |
|      | C13  | 1 3/8 Z21 | 100 | 117 | 26   | 141.025.364   |
| 60   | C12  | 1 3/8 Z6  | 115 | 123 | 26   | 141.026.544   |
|      | C13  | 1 3/8 Z21 | 115 | 123 | 26   | 141.026.553   |
|      | C17  | 1 3/4 Z6  | 115 | 131 | 29.5 | 141.026.554   |
|      | C15  | 1 3/4 Z20 | 115 | 131 | 29.5 | 141.226.555   |
| 80   | C12  | 1 3/8 Z6  | 132 | 137 | 26   | 141.028.423   |
|      | C13  | 1 3/8 Z21 | 132 | 137 | 26   | 141.028.426   |
|      | C17  | 1 3/4 Z6  | 132 | 142 | 29.5 | 141.028.427   |
|      | C15  | 1 3/4 Z20 | 132 | 142 | 29.5 | 141.028.428   |
| 90   | C12  | 1 3/8 Z6  | 137 | 144 | 26   | 141.029.319   |
|      | C13  | 1 3/8 Z21 | 137 | 144 | 26   | 141.029.320   |
|      | C17  | 1 3/4 Z6  | 137 | 152 | 29.5 | 141.029.317   |
| 120  | C15  | 1 3/4 Z20 | 137 | 152 | 29.5 | 141.029.318   |
|      | C27  | 1 3/4 Z6  | 155 | 162 | 45.5 | 141.220.005   |
|      | C25  | 1 3/4 Z20 | 155 | 162 | 45.5 | 141.220.001   |

# AGRICULTURAL YOKES

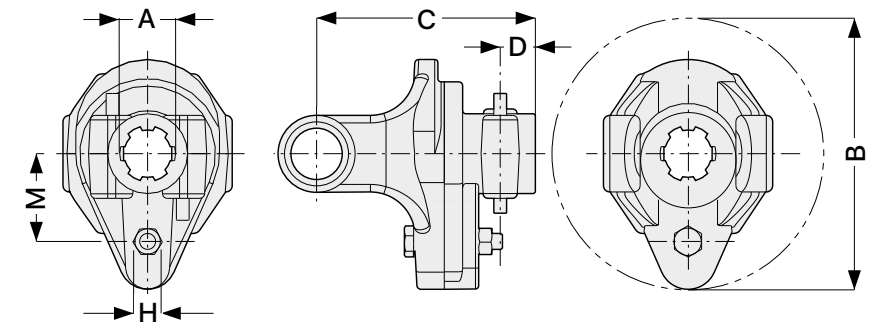
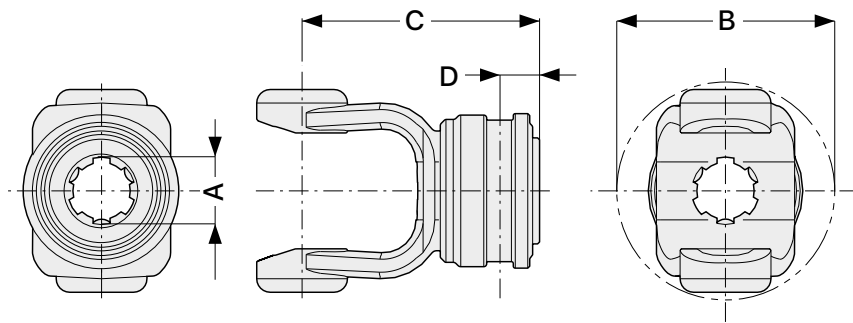
## SHEAR BOLT TORQUE LIMITER B (PUSH-PIN VERSION)

| Type | A         | B   | C   | D  | M     | Max. torque | H      | Canimex part no. |
|------|-----------|-----|-----|----|-------|-------------|--------|------------------|
|      | in        | mm  |     |    | lb-in | ISO 8.8     |        |                  |
| 10   | 1 3/8 Z6  | 120 | 95  | 19 | 36    | 5.700       | M6x45  | 111984           |
|      | 1 3/8 Z21 | 120 | 95  | 19 | 36    | 5.700       | M6x45  | -----            |
| 20   | 1 3/8 Z6  | 120 | 97  | 19 | 48    | 7.950       | M6x40  | 112011           |
|      | 1 3/8 Z21 | 120 | 97  | 19 | 48    | 7.950       | M6x40  | 112012           |
| 40   | 1 3/8 Z6  | 134 | 118 | 19 | 55    | 15.000      | M8x50  | 112015           |
|      | 1 3/8 Z21 | 134 | 118 | 19 | 55    | 15.000      | M8x50  | -----            |
| 50   | 1 3/8 Z6  | 134 | 118 | 19 | 46    | 18.500      | M10x55 | 112016           |
|      | 1 3/8 Z21 | 134 | 118 | 19 | 46    | 18.500      | M10x55 | 112017           |
| 60   | 1 3/8 Z6  | 162 | 137 | 22 | 55    | 22.100      | M10x60 | 112047           |
|      | 1 3/8 Z21 | 162 | 137 | 22 | 55    | 22.100      | M10x60 | 112049           |
|      | 1 3/4 Z6  | 162 | 137 | 22 | 55    | 22.100      | M10x60 | 112048           |
|      | 1 3/4 Z20 | 162 | 137 | 22 | 55    | 22.100      | M10x60 | 130102           |
| 80   | 1 3/8 Z6  | 162 | 146 | 22 | 57    | 30.900      | M12x65 | 112067           |
|      | 1 3/8 Z21 | 162 | 146 | 22 | 57    | 30.900      | M12x65 | 112070           |
|      | 1 3/4 Z6  | 162 | 146 | 22 | 57    | 30.900      | M12x65 | 112069           |
|      | 1 3/4 Z20 | 162 | 146 | 22 | 57    | 30.900      | M12x65 | 112072           |
| 90   | 1 3/8 Z6  | 162 | 152 | 22 | 65    | 35.400      | M12x65 | 131244           |
|      | 1 3/8 Z21 | 162 | 152 | 22 | 65    | 35.400      | M12x65 | 198118           |
|      | 1 3/4 Z6  | 162 | 152 | 22 | 65    | 35.400      | M12x65 | 132678           |
|      | 1 3/4 Z20 | 162 | 152 | 22 | 65    | 35.400      | M12x65 | 112087           |

\*Also available with interfering bolt

P.T.O.

P.T.O.

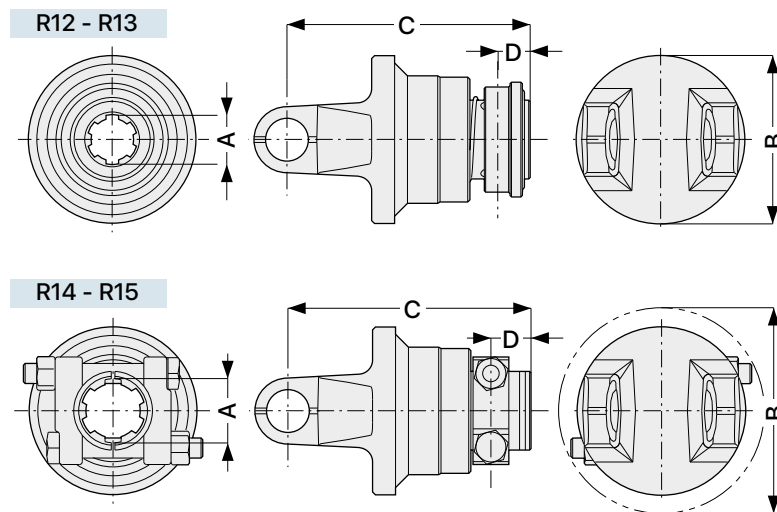


# AGRICULTURAL YOKES

## OVERRUNNING CLUTCH R

| Type | A         | B   | C   | D  | Max. torque | Canimex part no. |
|------|-----------|-----|-----|----|-------------|------------------|
|      | in        |     | mm  |    | lb-in       |                  |
| 10   | 1 3/8 Z6  | 96  | 141 | 26 | 33.630      | 202499           |
|      | 1 3/8 Z21 | 96  | 141 | 26 | 33.630      | -----            |
| 20   | 1 3/8 Z6  | 96  | 146 | 26 | 33.630      | 219840           |
|      | 1 3/8 Z21 | 96  | 146 | 26 | 33.630      | -----            |
| 40   | 1 3/8 Z6  | 96  | 157 | 26 | 33.630      | 112021           |
|      | 1 3/8 Z21 | 96  | 157 | 26 | 33.630      | 230941           |
|      | 1 3/8 Z6  | 140 | 157 | 28 | 33.630      | -----            |
|      | 1 3/8 Z21 | 140 | 157 | 28 | 33.630      | -----            |
| 50   | 1 3/8 Z6  | 100 | 159 | 26 | 33.630      | 112035           |
|      | 1 3/8 Z21 | 100 | 159 | 26 | 33.630      | 174949           |
|      | 1 3/4 Z6  | 140 | 159 | 28 | 33.630      | -----            |
|      | 1 3/4 Z20 | 140 | 159 | 28 | 33.630      | -----            |
| 60   | 1 3/8 Z6  | 115 | 167 | 26 | 33.630      | 141081           |
|      | 1 3/8 Z21 | 115 | 167 | 26 | 33.630      | 235784           |
|      | 1 3/4 Z6  | 140 | 167 | 28 | 33.630      | 202157           |
|      | 1 3/4 Z20 | 140 | 167 | 28 | 33.630      | 154930           |
| 80   | 1 3/8 Z6  | 127 | 176 | 26 | 33.630      | 112076           |
|      | 1 3/8 Z21 | 127 | 176 | 26 | 33.630      | 112077           |
|      | 1 3/4 Z6  | 140 | 176 | 28 | 33.630      | 156300           |
|      | 1 3/4 Z20 | 140 | 176 | 28 | 33.630      | 159560           |

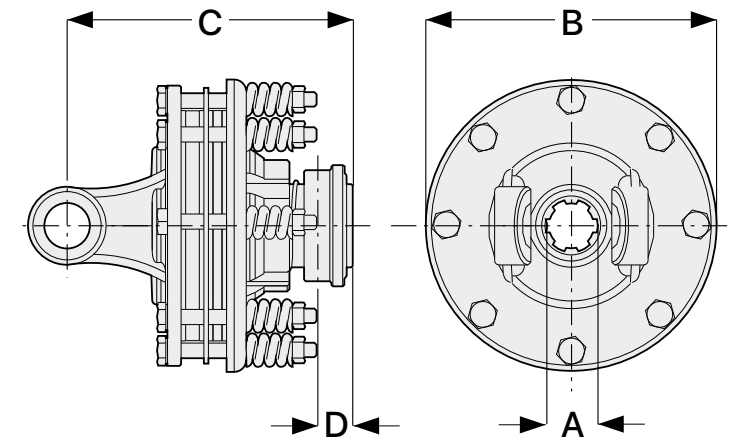
\*Minimum order quantity required



# AGRICULTURAL YOKES

## DISC CLUTCH TORQUE LIMITER RF

| Type | A         | B   | C   | D  | Max. torque |
|------|-----------|-----|-----|----|-------------|
|      | in        |     | mm  |    | lb-in       |
| 20   | 1 3/8 Z6  | 153 | 120 | 22 | 5,750       |
|      | 1 3/8 Z21 | 153 | 120 | 22 | 5,750       |
|      | 1 3/8 Z6  | 153 | 144 | 26 | 7,950       |
|      | 1 3/8 Z21 | 153 | 144 | 26 | 7,950       |



P.T.O.

P.T.O.

# CROSS AND BEARING KITS

- 10 to 90 types
- T, V, and E series models
- Lube cycle of 8 to 100 hours
- High-quality steel for increased strength





## CROSS AND BEARING KITS

### V-T CVJ SERIES

| Type | Height<br>mm | Width<br>mm | Length<br>mm | Supplier code | Canimex part no. |
|------|--------------|-------------|--------------|---------------|------------------|
| 20   | 74.1         | 23.8        | 82.1         | 180.012.161   | 111929           |
| 40   | 85.8         | 27          | 91.2         | 180.014.260   | 111936           |
| 60   | 95.4         | 30.2        | 101.4        | 180.016.228   | 111945           |
| 80   | 106.3        | 35          | 113.8        | 180.018.158   | 111951           |

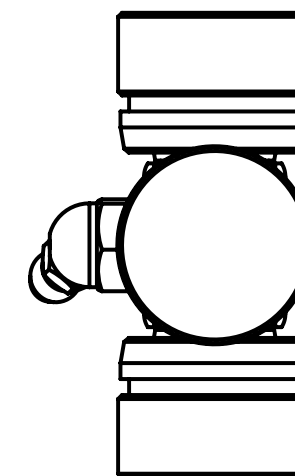
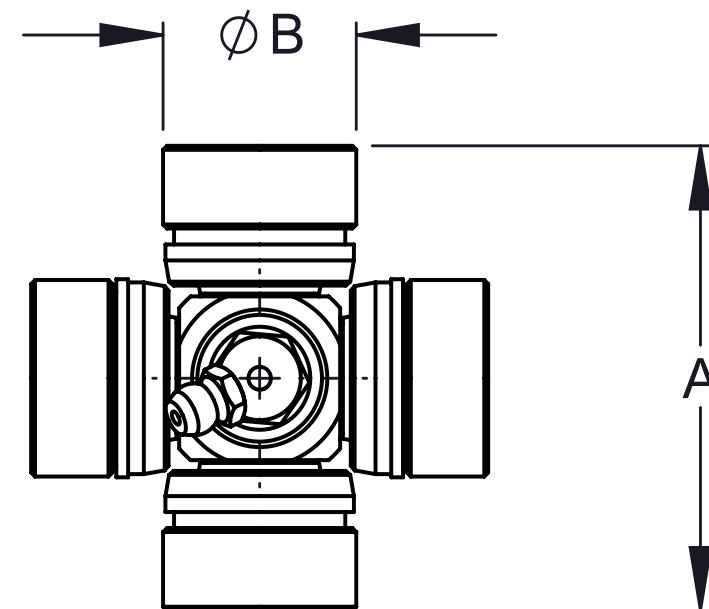


### V SERIES

| Type | Height<br>A<br>mm | Width<br>B<br>mm | Supplier<br>code | Canimex part no. |
|------|-------------------|------------------|------------------|------------------|
| 20   | 61.3              | 23.8             | 180.012.004      | 169486           |
| 40   | 74.6              | 27               | 180.014.004      | 111932           |
| 50   | 80                | 30.2             | 180.015.004      | 111938           |
| 60   | 92                | 30.2             | 180.016.004      | 111940           |
| 80   | 106.5             | 80               | 180.018.004      | 111947           |
| 90   | 108               | 41               | 180.019.043      | 155102           |

### T SERIES

| Type | Height<br>A<br>mm | Width<br>B<br>mm | Supplier<br>code | Canimex part no. |
|------|-------------------|------------------|------------------|------------------|
| 10   | 54                | 22               | 180.011.130      | 111926           |
| 20   | 61.3              | 23.8             | 180.012.130      | 111927           |
| 40   | 74.6              | 27               | 180.014.130      | 111934           |
| 50   | 80                | 30.2             | 180.015.130      | 111939           |
| 60   | 92                | 30.2             | 180.016.130      | 111943           |
| 80   | 106.5             | 35               | 180.018.130      | 111950           |
| 90   | 108               | 41               | 180.019.130      | 111954           |



## SAFETY GUARD

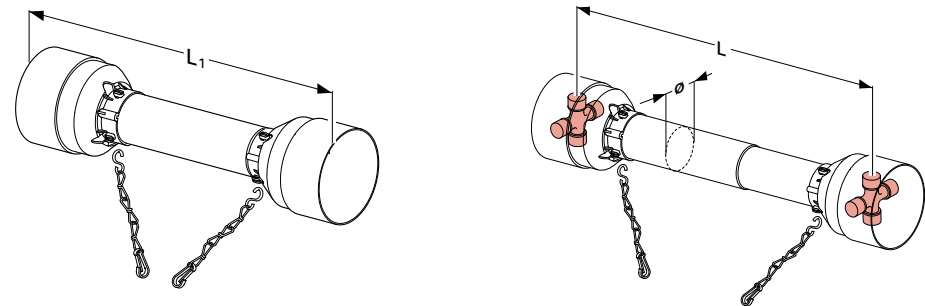
- Inner and outer cones
- Model CE and F cones
- P.T.O. security element
- Lengths from 470 to 1470 mm



# SAFETY GUARD

## COMPLETE GUARD

| Type | 10             |         | 20             |         | 40             |         | 50             |         |
|------|----------------|---------|----------------|---------|----------------|---------|----------------|---------|
| L    | L <sub>1</sub> | Width Ø | L <sub>1</sub> | Width Ø | L <sub>1</sub> | Width Ø | L <sub>1</sub> | Width Ø |
| 410  | 470            | 61      | 470            | 61      | 465            | 66.5    | 470            | 81.2    |
| 460  | 520            |         | 520            |         | 515            |         | 520            |         |
| 510  | 570            |         | 570            |         | 565            |         | 570            |         |
| 560  | 620            |         | 620            |         | 615            |         | 620            |         |
| 610  | 670            |         | 670            |         | 665            |         | 670            |         |
| 660  | 720            |         | 720            |         | 715            |         | 720            |         |
| 710  | 770            |         | 770            |         | 765            |         | 770            |         |
| 760  | 820            |         | 820            |         | 815            |         | 820            |         |
| 810  | 870            |         | 870            |         | 865            |         | 870            |         |
| 860  | 920            |         | 920            |         | 915            |         | 920            |         |
| 910  | 970            |         | 970            |         | 965            |         | 970            |         |
| 1010 | 1070           |         | 1070           |         | 1065           |         | 1070           |         |
| 1110 | 1170           |         | 1170           |         | 1165           |         | 1170           |         |
| 1210 | 1270           |         | 1270           |         | 1265           |         | 1270           |         |
| 1310 | 1370           | 1370    | 1365           | 1370    |                |         |                |         |
| 1410 | 1470           | 1470    | 1465           | 1470    |                |         |                |         |



| Type | 60             |         | 80             |         | 90             |         |
|------|----------------|---------|----------------|---------|----------------|---------|
| L    | L <sub>1</sub> | Width Ø | L <sub>1</sub> | Width Ø | L <sub>1</sub> | Width Ø |
| 410  | 465            | 81.2    | 500            | 96      | 490            | 96      |
| 460  | 515            |         | 550            |         | 540            |         |
| 510  | 565            |         | 600            |         | 590            |         |
| 560  | 615            |         | 650            |         | 640            |         |
| 610  | 665            |         | 700            |         | 690            |         |
| 660  | 715            |         | 750            |         | 740            |         |
| 710  | 765            |         | 800            |         | 790            |         |
| 760  | 815            |         | 850            |         | 840            |         |
| 810  | 865            |         | 900            |         | 890            |         |
| 860  | 915            |         | 950            |         | 940            |         |
| 910  | 965            |         | 1000           |         | 990            |         |
| 1010 | 1065           |         | 1100           |         | 1090           |         |
| 1110 | 1165           |         | 1200           |         | 1190           |         |
| 1210 | 1265           |         | 1300           |         | 1290           |         |
| 1310 | 1365           | 1400    | 1390           |         |                |         |
| 1410 | 1465           | 1500    | 1490           |         |                |         |

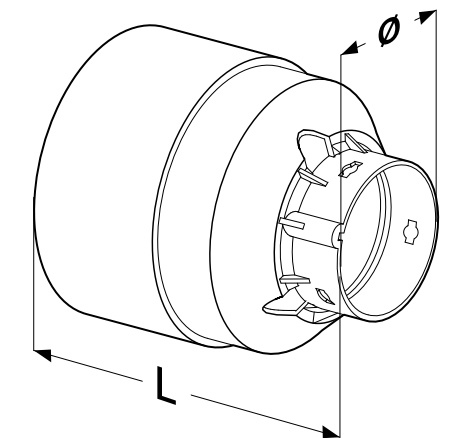
# SAFETY GUARD

## CONES – OUTER CONE

| Model | Version  | 10  |    | 20  |    | 40  |      | 50  |      | 60  |      | 80  |    | 90  |    |
|-------|----------|-----|----|-----|----|-----|------|-----|------|-----|------|-----|----|-----|----|
|       |          | L   | Ø  | L   | Ø  | L   | Ø    | L   | Ø    | L   | Ø    | L   | Ø  | L   | Ø  |
| CE    | Short    | 76  | 61 | 76  | 61 | 94  | 66.5 | 104 | 81.2 | 104 | 81.2 | 108 | 96 | 108 | 96 |
|       | Standard | 140 | 61 | 140 | 61 | 149 | 66.5 | 165 | 81.2 | 165 | 81.2 | 192 | 96 | 192 | 96 |
|       | Long     | 210 | 61 | 210 | 61 | 234 | 66.5 | 274 | 81.2 | 274 | 81.2 | -   | -  | -   | -  |
| F     | Short    | 76  | 61 | 76  | 61 | 94  | 66.5 | 104 | 81.2 | 104 | 81.2 | 108 | 96 | 108 | 96 |
|       | Standard | 140 | 61 | 140 | 61 | 149 | 66.5 | 165 | 81.2 | 165 | 81.2 | 192 | 96 | 192 | 96 |
|       | Long     | 210 | 61 | 210 | 61 | 234 | 66.5 | 274 | 81.2 | 274 | 81.2 | -   | -  | -   | -  |

## CONES – INNER CONE

| Model | Version  | 10  |      | 20  |      | 40  |    | 50  |    | 60  |    | 80  |      | 90  |      |
|-------|----------|-----|------|-----|------|-----|----|-----|----|-----|----|-----|------|-----|------|
|       |          | L   | Ø    | L   | Ø    | L   | Ø  | L   | Ø  | L   | Ø  | L   | Ø    | L   | Ø    |
| CE    | Short    | 76  | 55.6 | 76  | 55.6 | 94  | 61 | 104 | 75 | 104 | 75 | 108 | 89.9 | 108 | 89.9 |
|       | Standard | 140 | 55.6 | 140 | 55.6 | 149 | 61 | 151 | 75 | 159 | 75 | 192 | 89.9 | 192 | 89.9 |
|       | Long     | 210 | 55.6 | 210 | 55.6 | 234 | 61 | 274 | 75 | 274 | 75 | -   | -    | -   | -    |
| F     | Short    | 76  | 55.6 | 76  | 55.6 | 94  | 61 | 104 | 75 | 104 | 75 | 108 | 89.9 | 108 | 89.9 |
|       | Standard | 140 | 55.6 | 140 | 55.6 | 149 | 61 | 151 | 75 | 159 | 75 | 192 | 89.9 | 192 | 89.9 |
|       | Long     | 210 | 55.6 | 210 | 55.6 | 234 | 61 | 274 | 75 | 274 | 75 | -   | -    | -   | -    |

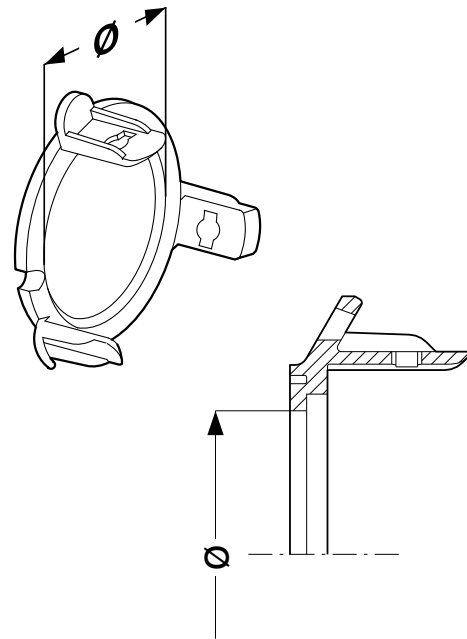




# SAFETY GUARD

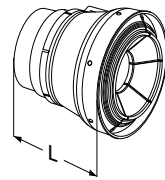
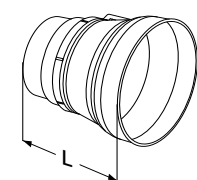
## CONES – RETAINING COLLAR

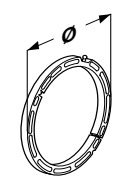
|                | 10            | 20 | 40 | 50   | 60 | 80   | 90   |
|----------------|---------------|----|----|------|----|------|------|
|                | Diameter (mm) |    |    |      |    |      |      |
| Outer diameter | 40            | 46 | 54 | 62.5 | 69 | 81.5 | 81.5 |
| Inner diameter | 34            | 40 | 47 | 54.5 | 60 | 69.5 | 69.5 |

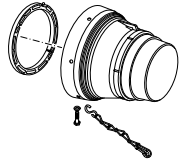



# SAFETY GUARD

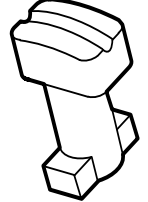
## CONES

| CONES     |   |             |   |             |
|-----------|---|-------------|---|-------------|
| <b>CE</b> |  | <b>F</b>    |  |             |
| Version   | 20  | 40          | 60  | 80          |
|           | L = 192 mm  | L = 235 mm  | L = 235 mm  | L = 248 mm  |
| CE        | 180.022.163   | 180.026.244 | 180.026.244   | 180.028.150 |
| F         | 180.012.163   | 180.016.244 | 180.016.244   | 180.018.150 |

| RETAINING COLLAR  |             |             |             |
|---|-------------|-------------|-------------|
|  |             |             |             |
| 20  | 40          | 60          | 80          |
| Ø = 171 mm  | Ø = 187 mm  | Ø = 187 mm  | Ø = 210 mm  |
| 180.012.164   | 180.016.245 | 180.016.245 | 180.018.154 |

| GUARD CONE, BEARING RINGS, SCREWS, CHAIN SET |  |             |             |             |
|--|--|-------------|-------------|-------------|
|  |  |             |             |             |
| Version                                      | 20   | 40          | 60          | 80          |
|  | L = 192 mm   | L = 235 mm  | L = 235 mm  | L = 248 mm  |
| CE   | 165.000.605  | 165.000.594 | 165.000.594 | 165.000.601 |
| F  | 165.000.585  | 165.000.570 | 165.000.570 | 165.000.582 |

| SAFETY CHAIN   |
|--|
|  |
| 180.016.025  |

| BOLT   |
|--|
|  |
| 190.000.019  |

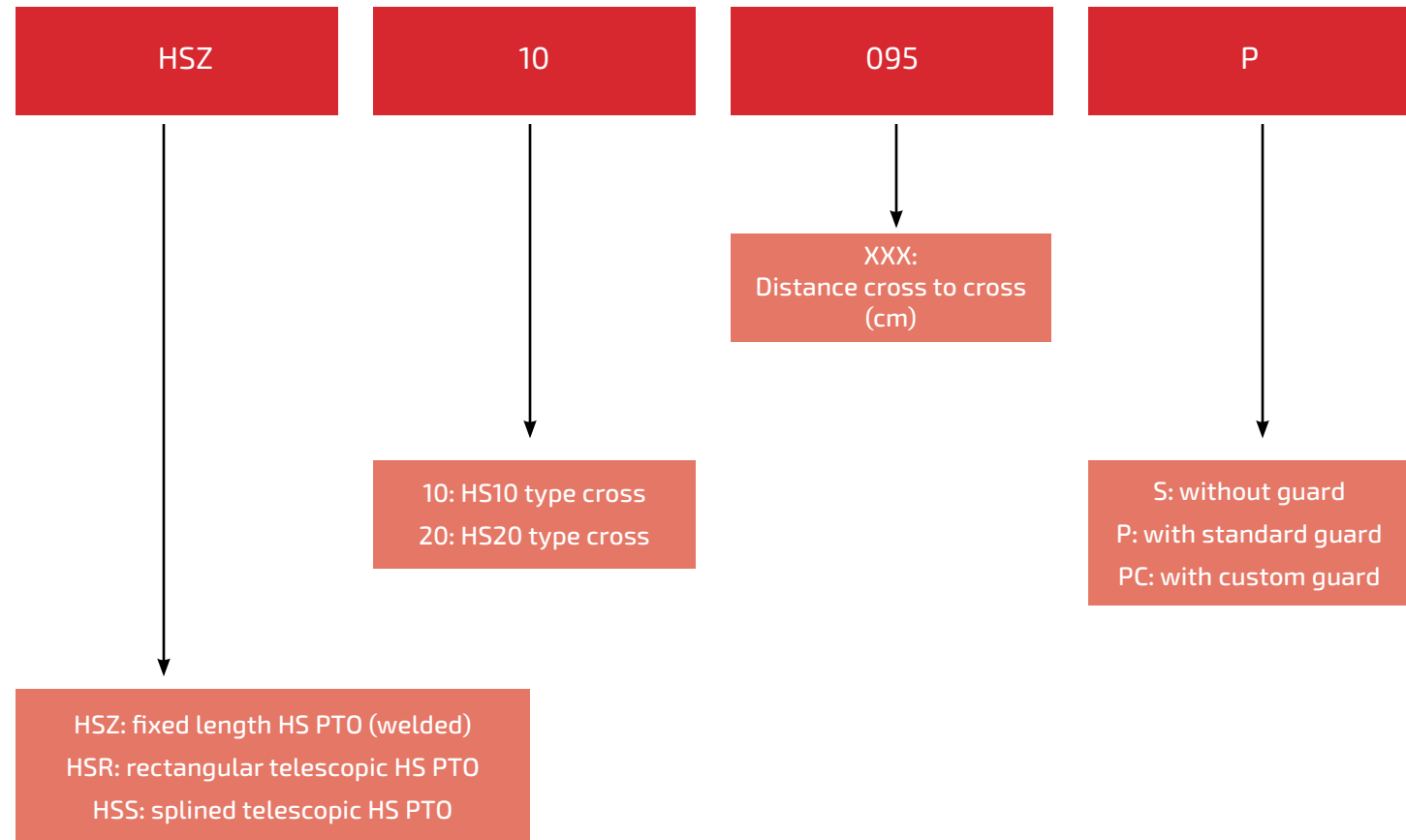
## HIGH-SPEED P.T.O.

- Complete assembly
- CNX product
- Balanced
- Operation speed of up to 2,500 RPM
- Power up to 49 HP
- 50° rotation angle
- HSR10, HSR20 and HSS20 series
- Custom lengths also available (MOQ 25)
- Various applications include snowblowers, mowers and street sweepers



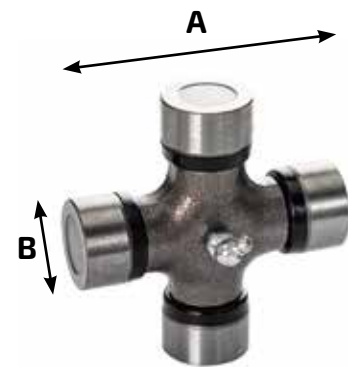
# HIGH-SPEED P.T.O.

## TECHNICAL SPECIFICATIONS



| Cross |                               |           |         |         |
|-------|-------------------------------|-----------|---------|---------|
| Model | Description                   | Part no.  | A Ø     | B Ø     |
| HS10  | HS10-CROSS(BRG 19.10 X 48.50) | 220932    | 19.1 mm | 48.5 mm |
|       |                               | (P-26453) | 0.75"   | 1.9"    |
| HS20  | HS20-CROSS(BRG 24.60 X 58.20) | 220933    | 24.6 mm | 58.2 mm |
|       |                               | (P-26454) | 0.969"  | 2.29"   |

| Type | Dynamic |          |          | Static                 |       |                |       |
|------|---------|----------|----------|------------------------|-------|----------------|-------|
|      | Power   |          |          | Maximum dynamic torque |       | Maximum torque |       |
|      | 540 RPM | 1000 RPM | 2000 RPM | Nm                     | lb-in | Nm             | lb-in |
| HS10 | 10 HP   | 15 HP    | 24 HP    | 280                    | 2478  | 500            | 4425  |
| HS20 | 20 HP   | 30 HP    | 49 HP    | 450                    | 3983  | 1100           | 9736  |



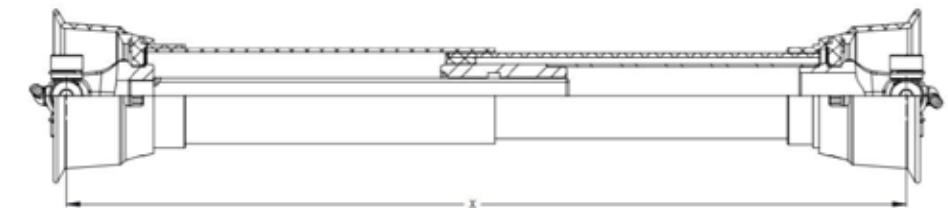
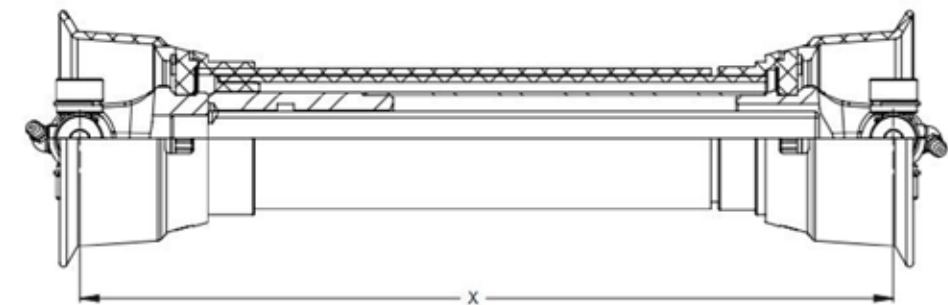
# HIGH-SPEED P.T.O.

## HSR10 SERIES – COMPLETE ASSEMBLY



| Model      | Cross to cross length |       |               |        |
|------------|-----------------------|-------|---------------|--------|
|            | Closed length X       |       | Open length x |        |
|            | mm                    | in    | mm            | in     |
| HSR10-020P | 203                   | 8     | 258           | 10.15  |
| HSR10-023P | 229                   | 9     | 309           | 12.15  |
| HSR10-025P | 260                   | 10.25 | 358           | 14.08  |
| HSR10-033P | 330                   | 13    | 439           | 17.3   |
| HSR10-041P | 406                   | 16    | 541           | 21.28  |
| HSR10-050P | 508                   | 20    | 676           | 26.598 |

\* A minimum quantity may be required when ordering.





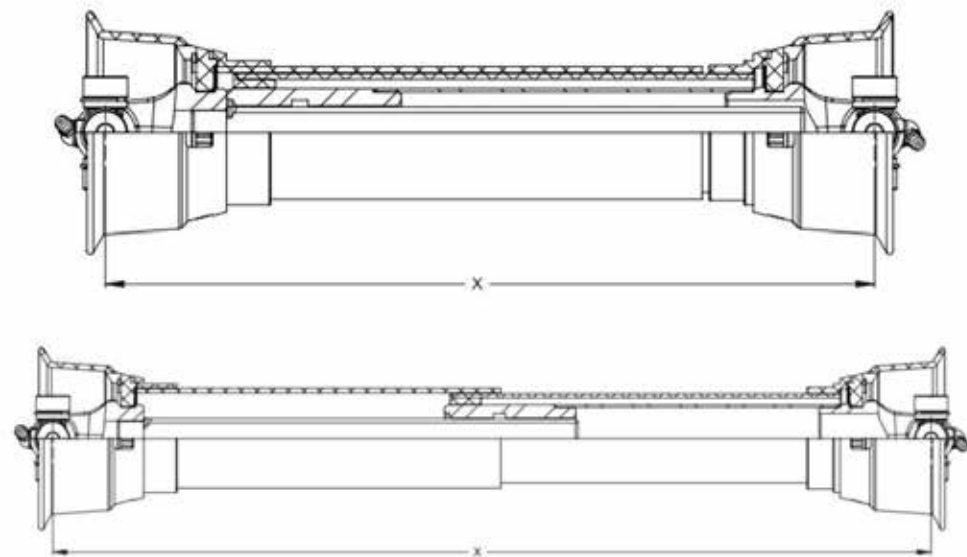
# HIGH-SPEED P.T.O.

HSR20 SERIES – COMPLETE ASSEMBLY



| Model      | Cross to cross length |       |               |       | Applications               |
|------------|-----------------------|-------|---------------|-------|----------------------------|
|            | Closed length X       |       | Open length x |       |                            |
|            | mm                    | in    | mm            | in    |                            |
| HSR20-020P | 210                   | 8.27  | 256           | 10.09 | Snowblowers<br>Landscaping |
| HSR20-023P | 229                   | 9     | 300           | 11.82 |                            |
| HSR20-025P | 260                   | 10.25 | 350           | 13.76 |                            |
| HSR20-033P | 330                   | 13    | 439           | 17.29 |                            |
| HSR20-041P | 406                   | 16    | 541           | 21.28 |                            |
| HSR20-050P | 508                   | 20    | 676           | 26.6  |                            |

\* A minimum quantity may be required when ordering.



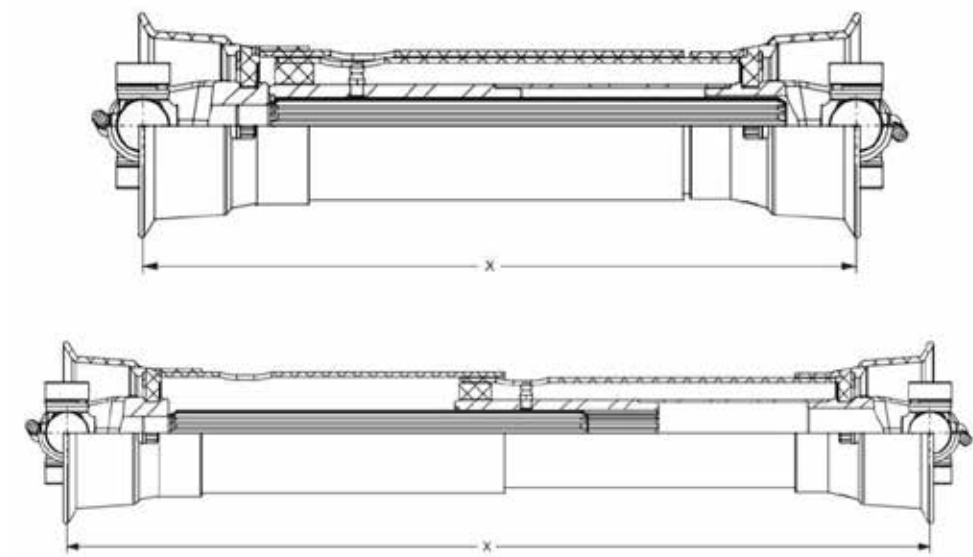
# HIGH-SPEED P.T.O.

HSS20 SERIES – COMPLETE ASSEMBLY



| Model      | Cross to cross length |       |               |       | Applications               |
|------------|-----------------------|-------|---------------|-------|----------------------------|
|            | Closed length X       |       | Open length x |       |                            |
|            | mm                    | in    | mm            | in    |                            |
| HSS20-020P | 210                   | 8.27  | 256           | 10.09 | Snowblowers<br>Landscaping |
| HSS20-023P | 229                   | 9     | 300           | 11.82 |                            |
| HSS20-025P | 260                   | 10.25 | 350           | 13.76 |                            |
| HSS20-033P | 330                   | 13    | 439           | 17.3  |                            |
| HSS20-041P | 406                   | 16    | 541           | 21.28 |                            |
| HSS20-050P | 508                   | 20    | 676           | 26.6  |                            |

\* A minimum quantity may be required when ordering.



P.T.O.

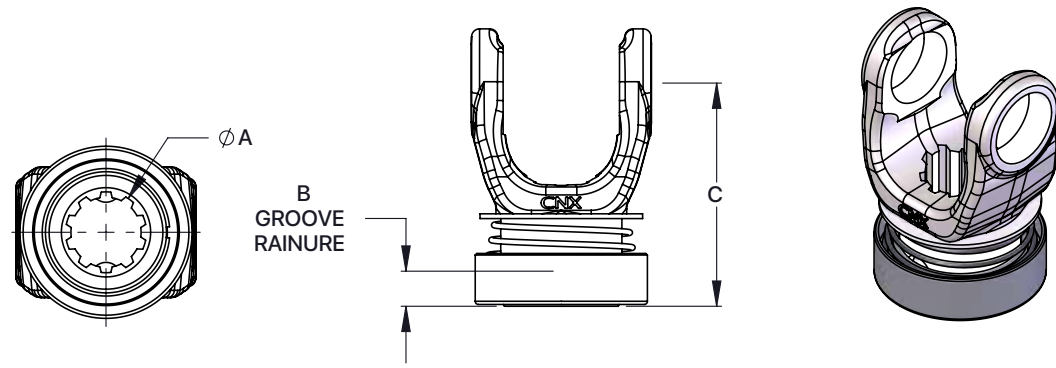
P.T.O.

# HIGH-SPEED P.T.O.

## YOKES – SLIDE COLLAR



| Model | ØA          | B    | C  | Canimex part no. |
|-------|-------------|------|----|------------------|
|       | in          | mm   | mm |                  |
| HS10  | 18.75MM Z13 | 11   | 67 | 220939           |
|       | 1" Z10      | 11   | 67 | 220938           |
|       | 1" Z15      | 11   | 67 | 220934           |
| HS20  | 1" Z10      | 11   | 70 | 220942           |
|       | 1" Z15      | 11   | 67 | 220940           |
|       | 1 3/8" Z6   | 25.4 | 98 | 220948           |
|       | 1 3/8" Z21  | 25.4 | 98 | 220950           |

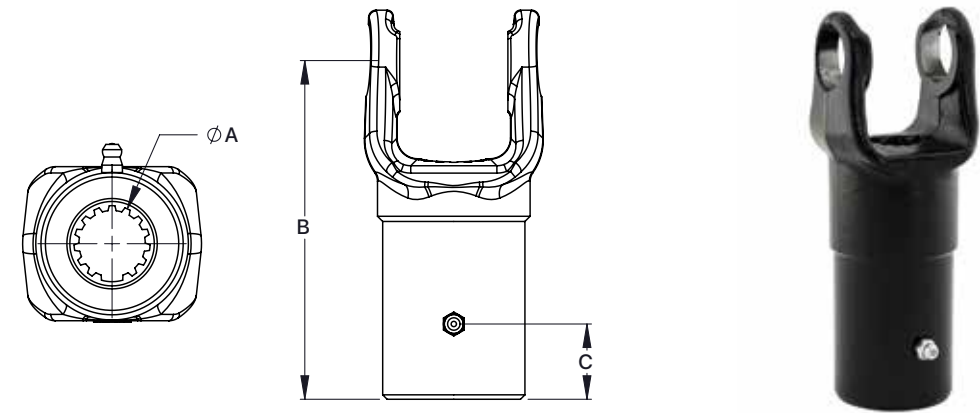


# HIGH-SPEED P.T.O.

## YOKES – LONG YOKE

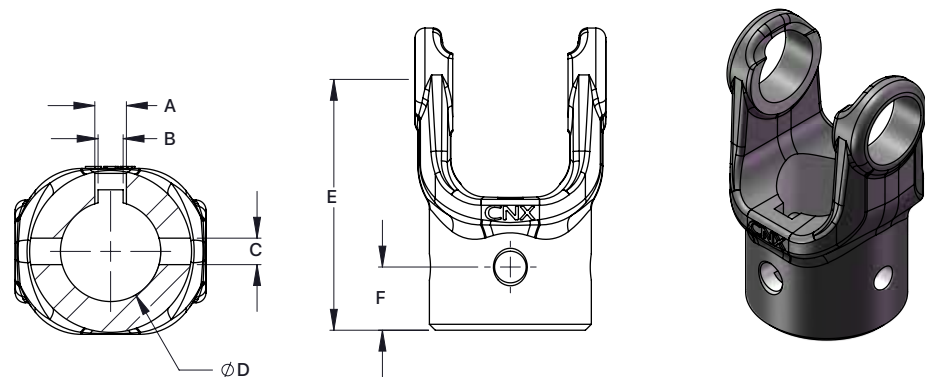


| Model | ØA        | B   | C    | Canimex part no. |
|-------|-----------|-----|------|------------------|
|       | in        | mm  | mm   |                  |
| HS10  | 1" Z15    | 115 | 30   | 220937           |
| HS20  | 1" Z15    | 115 | 25.4 | 220947           |
|       | 1" Z15    | 138 | 25.4 | 229979           |
|       | 1 3/8" Z6 | 138 | 38.1 | 229980           |



## YOKES – KEYWAY

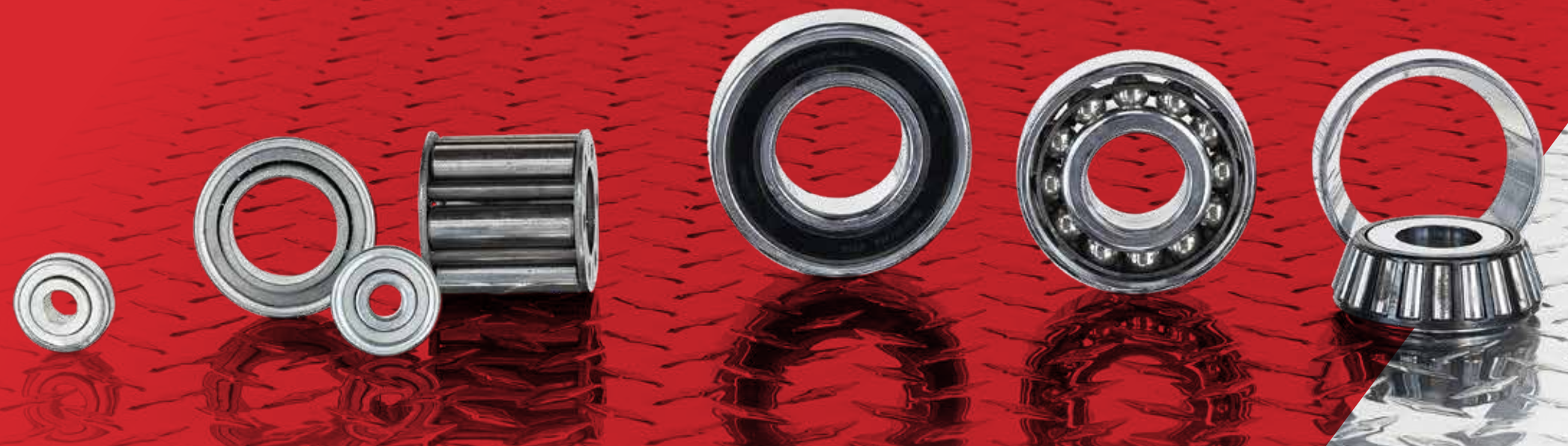
| Model | Description   | A          | B    | C  | ØD   | E    | F  | Canimex part no. |
|-------|---------------|------------|------|----|------|------|----|------------------|
|       |               | in         | mm   | mm | mm   | mm   |    |                  |
| HS10  | 1" KW 1/4     | 3/8-16 UNC | 6.35 | 7  | 25.4 | 63.5 | 16 | 220935           |
| HS20  | 1" KW 1/4     | 3/8-16 UNC | 6.35 | 7  | 25.4 | 63.5 | 16 | 220945           |
|       | 1 1/8" KW 1/4 | 3/8-16 UNC | 6.35 | 7  | 28.6 | 63.5 | 16 | 220946           |
|       | 1 1/4" KW 1/4 | 3/8-16 UNC | 6.35 | 7  | 28.6 | 63.5 | 16 | 220941           |



# BEARINGS

---

- Different types :
  - Ball bearing
  - Roller bearing
  - Pillow block
  - Flange bearing
- Low friction
- High-speed resistance
- Quiet running





# TABLE OF CONTENTS

## BALL BEARINGS

|                                  |     |
|----------------------------------|-----|
| Single-row radial .....          | 102 |
| Spherical OD .....               | 110 |
| Double-row angular contact ..... | 112 |
| Single-direction thrust .....    | 116 |
| Deep groove – Type R .....       | 120 |
| Carbone .....                    | 121 |
| Conveyor .....                   | 125 |

## ROLLER BEARINGS – TAPERED

|                     |     |
|---------------------|-----|
| Metric size .....   | 128 |
| Imperial size ..... | 132 |

## UNITS

|                                     |     |
|-------------------------------------|-----|
| Pillow block .....                  | 136 |
| 4-bolt flange .....                 | 138 |
| 2-bolt flange .....                 | 140 |
| UC insert .....                     | 142 |
| HC insert .....                     | 144 |
| Take up .....                       | 146 |
| SER insert .....                    | 148 |
| Mounted units – Thermoplastic ..... | 150 |
| SB & CSB inserts .....              | 158 |
| SA & CSA inserts .....              | 159 |
| Pressed steel .....                 | 160 |

## LINEAR GUIDEWAY - ABBA

|                       |     |
|-----------------------|-----|
| Linear guideway ..... | 168 |
|-----------------------|-----|

# BALL BEARINGS

- Large range
- Bore from 10 mm to 200 mm
- Outside diameter of up to 360 mm
- Possibility for development



# BALL BEARINGS

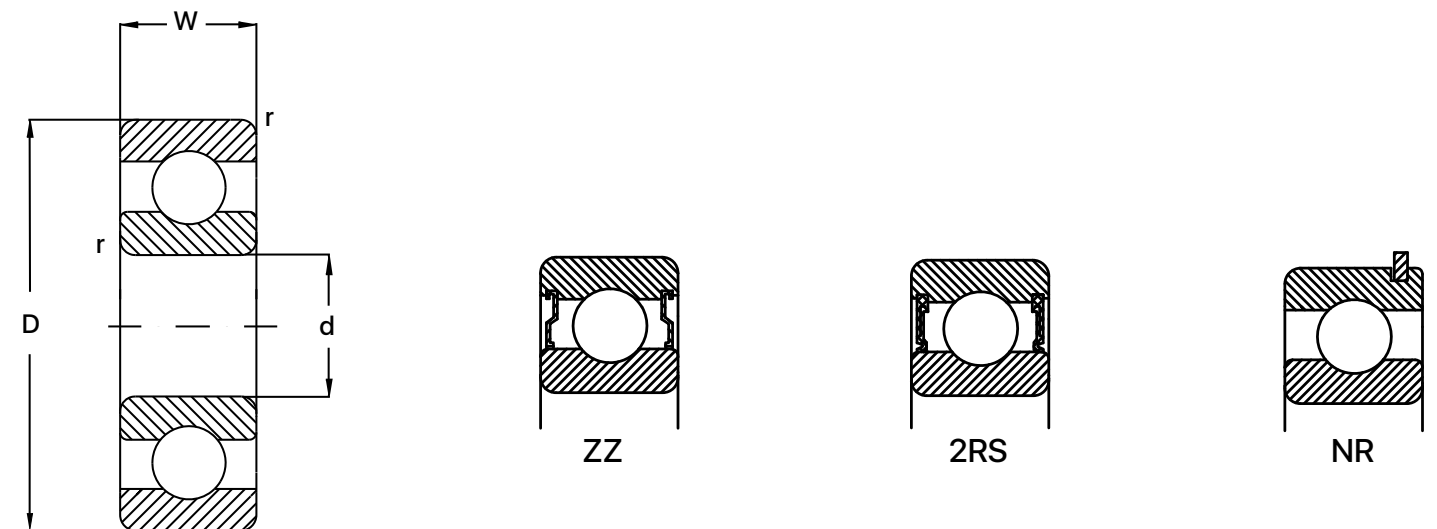
## SINGLE-ROW RADIAL – 6000 SERIES

| Bearing*<br>no. | Bore |        | Outer diameter |         | Width |        | Radius |       | Basic load rating |             | Weight<br>lb |
|-----------------|------|--------|----------------|---------|-------|--------|--------|-------|-------------------|-------------|--------------|
|                 | d    |        | D              |         | W     |        | r      |       | Dynamic (C)       | Static (C0) |              |
|                 | mm   | in     | mm             | in      | mm    | in     | mm     | in    | lb                |             |              |
| 6000            | 10   | 0.3937 | 26             | 1.0236  | 8     | 0.3150 | 0.5    | 0.020 | 1030              | 440         | 0.042        |
| 6001            | 12   | 0.4724 | 28             | 1.1024  | 8     | 0.3150 | 0.5    | 0.020 | 1150              | 540         | 0.049        |
| 6002            | 15   | 0.5906 | 32             | 1.2598  | 9     | 0.3543 | 0.5    | 0.020 | 1260              | 635         | 0.066        |
| 6003            | 17   | 0.6693 | 35             | 1.3780  | 10    | 0.3937 | 0.5    | 0.020 | 1530              | 755         | 0.086        |
| 6004            | 20   | 0.7874 | 42             | 1.6535  | 12    | 0.4724 | 1.0    | 0.039 | 2110              | 1140        | 0.152        |
| 60/22           | 22   | 0.8661 | 44             | 1.7323  | 12    | 0.4724 | 1.0    | 0.039 | 2110              | 1150        | 0.163        |
| 6005            | 25   | 0.9843 | 47             | 1.8504  | 12    | 0.4724 | 1.0    | 0.039 | 2260              | 1320        | 0.176        |
| 60/28           | 28   | 1.1024 | 52             | 2.0472  | 12    | 0.4724 | 1.0    | 0.039 | 2800              | 1660        | 0.216        |
| 6006            | 30   | 1.1811 | 55             | 2.1654  | 13    | 0.5118 | 1.5    | 0.059 | 2970              | 1860        | 0.256        |
| 60/32           | 32   | 1.2598 | 58             | 2.2835  | 13    | 0.5118 | 1.5    | 0.059 | 3400              | 2050        | 0.284        |
| 6007            | 35   | 1.3780 | 62             | 2.4409  | 14    | 0.5512 | 1.5    | 0.059 | 3600              | 2310        | 0.342        |
| 6008            | 40   | 1.5748 | 68             | 2.6772  | 15    | 0.5906 | 1.5    | 0.059 | 3750              | 2590        | 0.423        |
| 6009            | 45   | 1.7717 | 75             | 2.9528  | 16    | 0.6299 | 1.5    | 0.059 | 4700              | 3400        | 0.540        |
| 6010            | 50   | 1.9685 | 80             | 3.1496  | 16    | 0.6299 | 1.5    | 0.059 | 4900              | 3750        | 0.575        |
| 6011            | 55   | 2.1654 | 90             | 3.5433  | 18    | 0.7087 | 1.5    | 0.059 | 6350              | 4800        | 0.849        |
| 6012            | 60   | 2.3622 | 95             | 3.7402  | 18    | 0.7087 | 2.0    | 0.079 | 6600              | 5200        | 0.915        |
| 6013            | 65   | 2.5591 | 100            | 3.9370  | 18    | 0.7087 | 2.0    | 0.079 | 6850              | 5650        | 0.959        |
| 6014            | 70   | 2.7559 | 110            | 4.3307  | 20    | 0.7874 | 2.0    | 0.079 | 8550              | 6950        | 1.33         |
| 6015            | 75   | 2.9528 | 115            | 4.5276  | 20    | 0.7874 | 2.0    | 0.079 | 8900              | 7550        | 1.41         |
| 6016            | 80   | 3.1496 | 125            | 4.9213  | 22    | 0.8661 | 2.0    | 0.079 | 10700             | 8950        | 1.87         |
| 6017            | 85   | 3.3465 | 130            | 5.1181  | 22    | 0.8661 | 2.0    | 0.079 | 11100             | 9700        | 1.96         |
| 6018            | 90   | 3.5433 | 140            | 5.5118  | 24    | 0.9449 | 2.5    | 0.098 | 13100             | 11200       | 2.56         |
| 6019            | 95   | 3.7402 | 145            | 5.7087  | 24    | 0.9449 | 2.5    | 0.098 | 13600             | 12100       | 2.67         |
| 6020            | 100  | 3.9370 | 150            | 5.9055  | 24    | 0.9449 | 2.5    | 0.098 | 13500             | 12200       | 2.76         |
| 6021            | 105  | 4.1339 | 160            | 6.2992  | 26    | 1.0236 | 3.0    | 0.118 | 16300             | 14800       | 3.51         |
| 6022            | 110  | 4.3307 | 170            | 6.6929  | 28    | 1.1024 | 3.0    | 0.118 | 18400             | 16400       | 4.32         |
| 6024            | 120  | 4.7244 | 180            | 7.0866  | 28    | 1.1024 | 3.0    | 0.118 | 19100             | 17800       | 4.56         |
| 6026            | 130  | 5.1181 | 200            | 7.8740  | 33    | 1.2992 | 3.0    | 0.118 | 23900             | 22700       | 6.97         |
| 6028            | 140  | 5.5118 | 210            | 8.2677  | 33    | 1.2992 | 3.0    | 0.118 | 24700             | 24400       | 7.39         |
| 6030            | 150  | 5.9055 | 225            | 8.8583  | 35    | 1.3780 | 3.5    | 0.138 | 28300             | 28300       | 8.99         |
| 6032            | 160  | 6.2992 | 240            | 9.4488  | 38    | 1.4961 | 3.5    | 0.138 | 32000             | 32500       | 11.10        |
| 6034            | 170  | 6.6929 | 260            | 10.2362 | 42    | 1.6535 | 3.5    | 0.138 | 38000             | 38500       | 17.50        |
| 6036            | 180  | 7.0866 | 280            | 11.0236 | 46    | 1.8110 | 3.5    | 0.138 | 42500             | 44500       | 22.70        |
| 6038            | 190  | 7.4803 | 290            | 11.4173 | 46    | 1.8110 | 3.5    | 0.138 | 44000             | 48500       | 23.80        |

1. \*Not normal stock item. Contact us for availability.

2. For AIDI 440C stainless steel, add "S" prefix, e.g. S6005-2RS (Available from S6000 to S6012, open ZZ and 2RS).

3. The load ratings are for informational purposes only and may vary depending on the product origin. Please see your representative for more information.



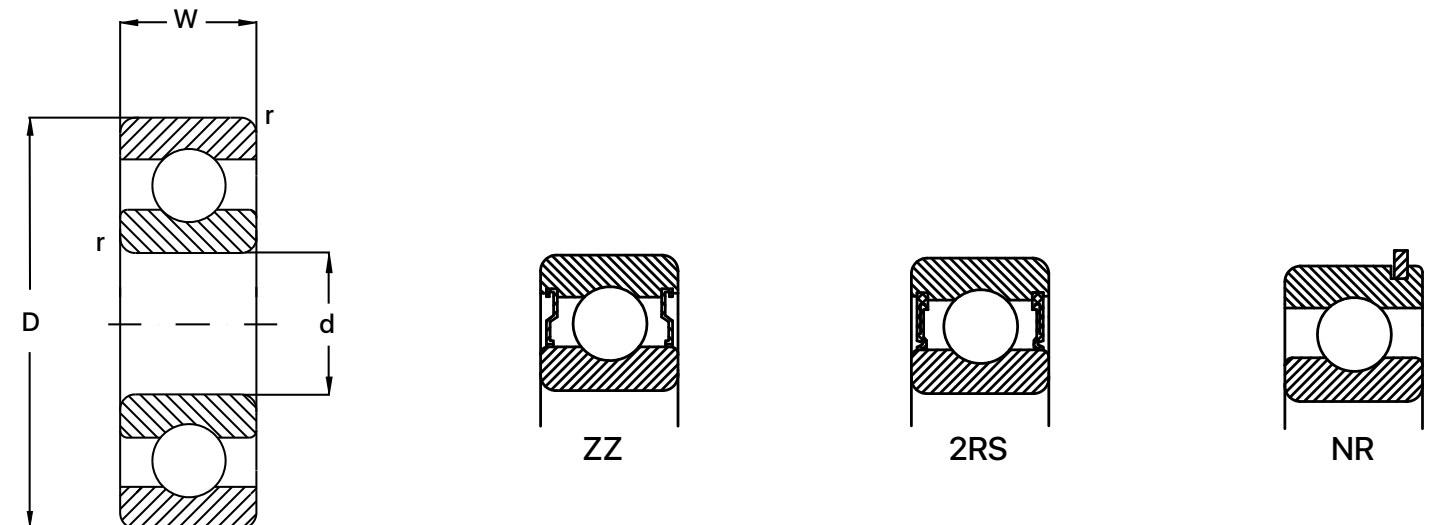
# BALL BEARINGS

## SINGLE-ROW RADIAL – 6200 SERIES

| Bearing* no. | Bore   |        | Outer diameter |         | Width |        | Radius |       | Basic load rating |             | Weight |
|--------------|--------|--------|----------------|---------|-------|--------|--------|-------|-------------------|-------------|--------|
|              | d      |        | D              |         | W     |        | r      |       | Dynamic (C)       | Static (CO) |        |
|              | mm     | in     | mm             | in      | mm    | in     | mm     | in    | lb                |             |        |
| 6200         | 10     | 0.3937 | 30             | 1.1811  | 9     | 0.3543 | 1.0    | 0.039 | 1150              | 540         | 0.071  |
| 6201         | 12     | 0.4724 | 32             | 1.2598  | 10    | 0.3937 | 1.0    | 0.039 | 1370              | 615         | 0.082  |
| 6201-8       | 12.7   | 0.5000 | 32             | 1.2598  | 10    | 0.3937 | 1.0    | 0.039 | 1370              | 615         | 0.082  |
| 6201-13mm    | 13     | 0.5118 | 32             | 1.2598  | 10    | 0.3937 | 1.0    | 0.039 | 1370              | 615         | 0.082  |
| 6202         | 15     | 0.5906 | 35             | 1.3780  | 11    | 0.4331 | 1.0    | 0.039 | 1740              | 805         | 0.099  |
| 6202-8       | 12.7   | 0.5000 | 35             | 1.3780  | 11    | 0.4331 | 1.0    | 0.039 | 1740              | 805         | 0.110  |
| 6202-10      | 15.875 | 0.6250 | 35             | 1.3780  | 11    | 0.4331 | 1.0    | 0.039 | 1740              | 805         | 0.090  |
| 6202-16mm    | 16     | 0.6299 | 35             | 1.3780  | 11    | 0.4331 | 1.0    | 0.039 | 1740              | 805         | 0.090  |
| 6203         | 17     | 0.6693 | 40             | 1.5748  | 12    | 0.4724 | 1.0    | 0.039 | 2160              | 1030        | 0.143  |
| 6203-8       | 12.7   | 0.5000 | 40             | 1.5748  | 12    | 0.4724 | 1.0    | 0.039 | 2160              | 1030        | 0.154  |
| 6203-15mm    | 15     | 0.5906 | 40             | 1.5748  | 12    | 0.4724 | 1.0    | 0.039 | 2160              | 1030        | 0.148  |
| 6203-10      | 15.875 | 0.6250 | 40             | 1.5748  | 12    | 0.4724 | 1.0    | 0.039 | 2160              | 1030        | 0.150  |
| 6203-16mm    | 16     | 0.6299 | 40             | 1.5748  | 12    | 0.4724 | 1.0    | 0.039 | 2160              | 1030        | 0.150  |
| 6203-12      | 19.05  | 0.7500 | 40             | 1.5748  | 12    | 0.4724 | 1.0    | 0.039 | 2160              | 1030        | 0.140  |
| 6204         | 20     | 0.7874 | 47             | 1.8504  | 14    | 0.5512 | 1.5    | 0.059 | 2890              | 1500        | 0.234  |
| 6204-12      | 19.05  | 0.7500 | 47             | 1.8504  | 14    | 0.5512 | 1.5    | 0.059 | 2890              | 1500        | 0.236  |
| 62/22        | 22     | 0.8661 | 50             | 1.9685  | 14    | 0.5512 | 1.5    | 0.059 | 2900              | 1530        | 0.258  |
| 6204-14      | 22.225 | 0.8750 | 47             | 1.8504  | 14    | 0.5512 | 1.5    | 0.059 | 2890              | 1500        | 0.230  |
| 6205         | 25     | 0.9843 | 52             | 2.0475  | 15    | 0.5906 | 1.5    | 0.059 | 3150              | 1770        | 0.282  |
| 6205-16      | 25.4   | 1.0000 | 52             | 2.0472  | 15    | 0.5906 | 1.5    | 0.059 | 3150              | 1770        | 0.280  |
| 62/28        | 28     | 1.1024 | 58             | 2.2835  | 16    | 0.6299 | 1.5    | 0.059 | 4000              | 2190        | 0.377  |
| 6206         | 30     | 1.1811 | 62             | 2.4409  | 16    | 0.6299 | 1.5    | 0.059 | 4400              | 2540        | 0.439  |
| 62/32        | 32     | 1.2598 | 65             | 2.5591  | 17    | 0.6693 | 1.5    | 0.059 | 4625              | 2600        | 0.498  |
| 6207         | 35     | 1.3780 | 72             | 2.8346  | 17    | 0.6693 | 2.0    | 0.079 | 5750              | 3450        | 0.635  |
| 6208         | 40     | 1.5748 | 80             | 3.1496  | 18    | 0.7087 | 2.0    | 0.079 | 6550              | 4000        | 0.807  |
| 6209         | 45     | 1.7717 | 85             | 3.3465  | 19    | 0.7480 | 2.0    | 0.079 | 7350              | 4600        | 0.897  |
| 6210         | 50     | 1.9685 | 90             | 3.5433  | 20    | 0.7874 | 2.0    | 0.079 | 7900              | 5200        | 1.02   |
| 6211         | 55     | 2.1654 | 100            | 3.9370  | 21    | 0.8268 | 2.5    | 0.098 | 9750              | 6550        | 1.34   |
| 6212         | 60     | 2.3622 | 110            | 4.3307  | 22    | 0.8661 | 2.5    | 0.098 | 11800             | 8150        | 1.73   |
| 6213         | 65     | 2.5591 | 120            | 4.7244  | 23    | 0.9055 | 2.5    | 0.098 | 12900             | 9000        | 2.18   |
| 6214         | 70     | 2.7559 | 125            | 4.9213  | 24    | 0.9449 | 2.5    | 0.098 | 14000             | 9900        | 2.36   |
| 6215         | 75     | 2.9528 | 130            | 5.1181  | 25    | 0.9843 | 2.5    | 0.098 | 14900             | 11100       | 2.60   |
| 6216         | 80     | 3.1496 | 140            | 5.5118  | 26    | 1.0236 | 3.0    | 0.118 | 16300             | 11900       | 3.09   |
| 6217         | 85     | 3.3465 | 150            | 5.9055  | 28    | 1.1024 | 3.0    | 0.118 | 18700             | 14300       | 3.95   |
| 6218         | 90     | 3.5433 | 160            | 6.2992  | 30    | 1.1811 | 3.0    | 0.118 | 21600             | 16100       | 4.74   |
| 6219         | 95     | 3.7402 | 170            | 6.6929  | 32    | 1.2598 | 3.5    | 0.138 | 24500             | 18400       | 5.78   |
| 6220         | 100    | 3.9370 | 180            | 7.0866  | 34    | 1.3386 | 3.5    | 0.138 | 27500             | 20900       | 6.92   |
| 6221         | 105    | 4.1339 | 190            | 7.4803  | 36    | 1.4173 | 3.5    | 0.138 | 29900             | 23500       | 8.16   |
| 6222         | 110    | 4.3307 | 200            | 7.8740  | 38    | 1.4961 | 3.5    | 0.138 | 32500             | 26300       | 9.61   |
| 6224         | 120    | 4.7244 | 215            | 8.4646  | 40    | 1.5748 | 3.5    | 0.138 | 35000             | 29500       | 11.4   |
| 6226         | 130    | 5.1181 | 230            | 9.0551  | 40    | 1.5748 | 4.0    | 0.157 | 37500             | 33000       | 12.8   |
| 6228         | 140    | 5.5118 | 250            | 9.8425  | 42    | 1.6535 | 4.0    | 0.157 | 37500             | 33500       | 16.5   |
| 6230         | 150    | 5.9055 | 270            | 10.6299 | 45    | 1.7717 | 4.0    | 0.157 | 39500             | 37500       | 20.7   |
| 6232         | 160    | 6.2992 | 290            | 11.4173 | 48    | 1.8898 | 4.0    | 0.157 | 41500             | 42000       | 31.5   |
| 6234         | 170    | 6.6929 | 310            | 12.2047 | 52    | 2.0472 | 5.0    | 0.197 | 47500             | 50000       | 38.6   |
| 6236         | 180    | 7.0866 | 320            | 12.5984 | 52    | 2.0472 | 5.0    | 0.197 | 51000             | 54000       | 40.3   |
| 6238         | 190    | 7.4803 | 340            | 13.3858 | 55    | 2.1654 | 5.0    | 0.197 | 57500             | 63500       | 50.7   |
| 6240         | 200    | 7.8740 | 360            | 14.1732 | 58    | 2.2835 | 5.0    | 0.197 | 60500             | 70000       | 62.2   |

1. \*Not normal stock item. Contact us for availability.

2. For AISI 440C stainless steel, add "S" prefix, e.g. S6205-2RS (Available from S6000 to S6012, open ZZ and 2RS).





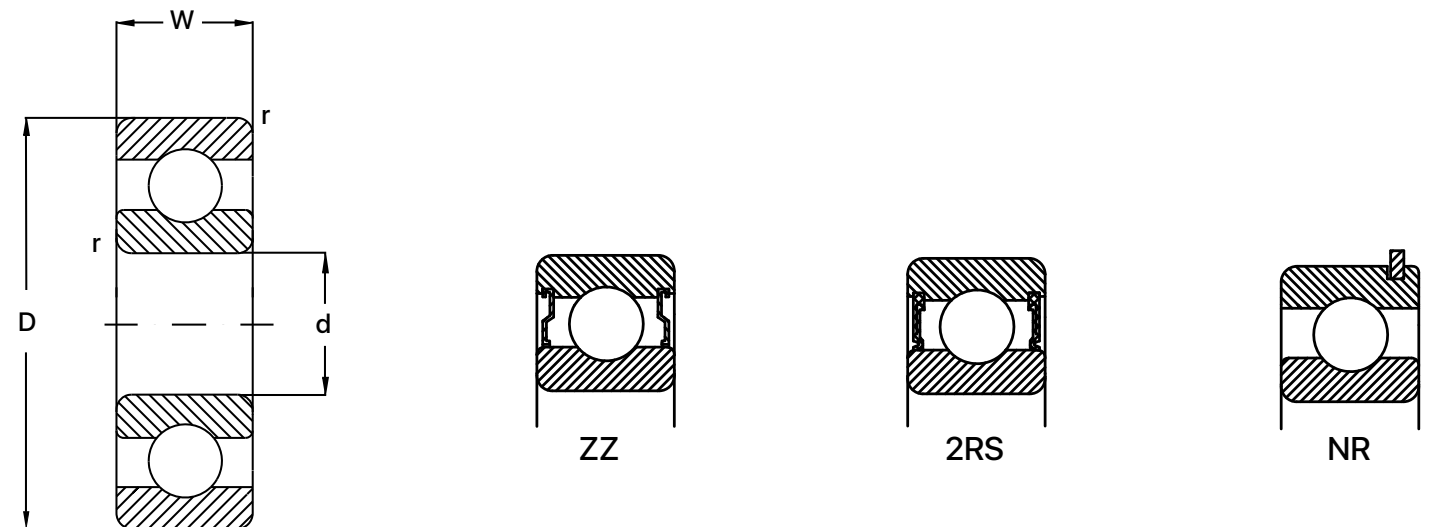
# BALL BEARINGS

## SINGLE-ROW RADIAL – 6300 SERIES

| Bearing*<br>no. | Bore  |        | Outer diameter |         | Width |        | Radius |       | Basic load rating |             | Weight<br>lb |
|-----------------|-------|--------|----------------|---------|-------|--------|--------|-------|-------------------|-------------|--------------|
|                 | d     |        | D              |         | W     |        | r      |       | Dynamic (C)       | Static (C0) |              |
|                 | mm    | in     | mm             | in      | mm    | in     | mm     | in    | lb                | lb          |              |
| 6300            | 10    | 0.3937 | 35             | 1.3780  | 11    | 0.4331 | 1.0    | 0.039 | 1840              | 785         | 0.117        |
| 6301            | 12    | 0.4724 | 37             | 1.4567  | 12    | 0.4724 | 1.5    | 0.059 | 2180              | 940         | 0.132        |
| 6302            | 15    | 0.5906 | 42             | 1.6535  | 13    | 0.5118 | 1.5    | 0.059 | 2570              | 1220        | 0.181        |
| 6303            | 17    | 0.6693 | 47             | 1.8504  | 14    | 0.5512 | 1.5    | 0.059 | 3050              | 1470        | 0.254        |
| 6304            | 20    | 0.7874 | 52             | 2.0472  | 15    | 0.5906 | 2.0    | 0.079 | 3600              | 1770        | 0.317        |
| 63/22           | 22    | 0.8661 | 56             | 2.2047  | 16    | 0.6299 | 2.0    | 0.079 | 4100              | 2080        | 0.511        |
| 6305            | 25    | 0.9843 | 62             | 2.4409  | 17    | 0.6693 | 2.0    | 0.079 | 4750              | 2460        | 0.511        |
| 63/28           | 28    | 1.1024 | 68             | 2.6772  | 18    | 0.7087 | 2.0    | 0.079 | 6000              | 3150        | 0.633        |
| 6306            | 30    | 1.1811 | 72             | 2.8346  | 19    | 0.7480 | 2.0    | 0.079 | 6700              | 3800        | 0.763        |
| 6306-20         | 31.75 | 1.2500 | 72             | 2.8346  | 19    | 0.7480 | 2.0    | 0.079 | 6700              | 3800        | 0.749        |
| 63/32           | 32    | 1.2598 | 75             | 2.9528  | 20    | 0.7874 | 2.0    | 0.079 | 23000             | 16000       | 0.842        |
| 6307            | 35    | 1.3780 | 80             | 3.1496  | 21    | 0.8268 | 2.5    | 0.098 | 7500              | 4300        | 1.01         |
| 6308            | 40    | 1.5748 | 90             | 3.5433  | 23    | 0.9055 | 2.5    | 0.098 | 9150              | 5400        | 1.40         |
| 6309            | 45    | 1.7717 | 100            | 3.9370  | 25    | 0.9843 | 2.5    | 0.098 | 11900             | 7200        | 1.84         |
| 6310            | 50    | 1.9685 | 110            | 4.3307  | 27    | 1.0630 | 3.0    | 0.118 | 13900             | 8600        | 2.36         |
| 6311            | 55    | 2.1654 | 120            | 4.7244  | 29    | 1.1417 | 3.0    | 0.118 | 16100             | 10100       | 3.02         |
| 6312            | 60    | 2.3622 | 130            | 5.1181  | 31    | 1.2205 | 3.5    | 0.138 | 18400             | 11700       | 3.75         |
| 6313            | 65    | 2.5591 | 140            | 5.5118  | 33    | 1.2992 | 3.5    | 0.138 | 20800             | 13400       | 4.59         |
| 6314            | 70    | 2.7559 | 150            | 5.9055  | 35    | 1.3780 | 3.5    | 0.138 | 23400             | 15300       | 5.56         |
| 6315            | 75    | 2.9526 | 160            | 6.2992  | 37    | 1.4567 | 3.5    | 0.138 | 25500             | 17400       | 6.66         |
| 6316            | 80    | 3.1496 | 170            | 6.6929  | 39    | 1.5354 | 3.5    | 0.138 | 27600             | 19500       | 7.91         |
| 6317            | 85    | 3.3465 | 180            | 7.0866  | 41    | 1.6142 | 4.0    | 0.157 | 29800             | 21800       | 9.33         |
| 6318            | 90    | 3.5433 | 190            | 7.4803  | 43    | 1.6929 | 4.0    | 0.157 | 32000             | 24100       | 10.8         |
| 6319            | 95    | 3.7402 | 200            | 7.8740  | 45    | 1.7717 | 4.0    | 0.157 | 34500             | 26600       | 12.5         |
| 6320            | 100   | 3.9370 | 215            | 8.4646  | 47    | 1.8504 | 4.0    | 0.157 | 39000             | 31500       | 15.4         |
| 6321            | 105   | 4.1339 | 225            | 8.8583  | 49    | 1.9291 | 4.0    | 0.157 | 41500             | 34500       | 17.7         |
| 6322            | 110   | 4.3307 | 240            | 9.4488  | 50    | 1.9685 | 4.0    | 0.157 | 40000             | 40500       | 21.0         |
| 6324            | 120   | 4.7244 | 260            | 10.2362 | 55    | 2.1654 | 4.0    | 0.157 | 46500             | 41500       | 27.3         |
| 6326            | 130   | 5.1181 | 280            | 11.0236 | 58    | 2.2835 | 5.0    | 0.197 | 51500             | 48000       | 33.3         |
| 6328            | 140   | 5.5118 | 300            | 11.8110 | 62    | 2.4409 | 5.0    | 0.197 | 57000             | 55500       | 40.8         |
| 6330            | 150   | 5.9055 | 320            | 12.5984 | 65    | 2.5591 | 5.0    | 0.197 | 61500             | 63500       | 57.8         |

1. \*Not normal stock item. Contact us for availability.

2. For AISI 440C stainless steel, add "S" prefix, e.g. S6205-2RS (Available from S6000 to S6012, open ZZ and 2RS).

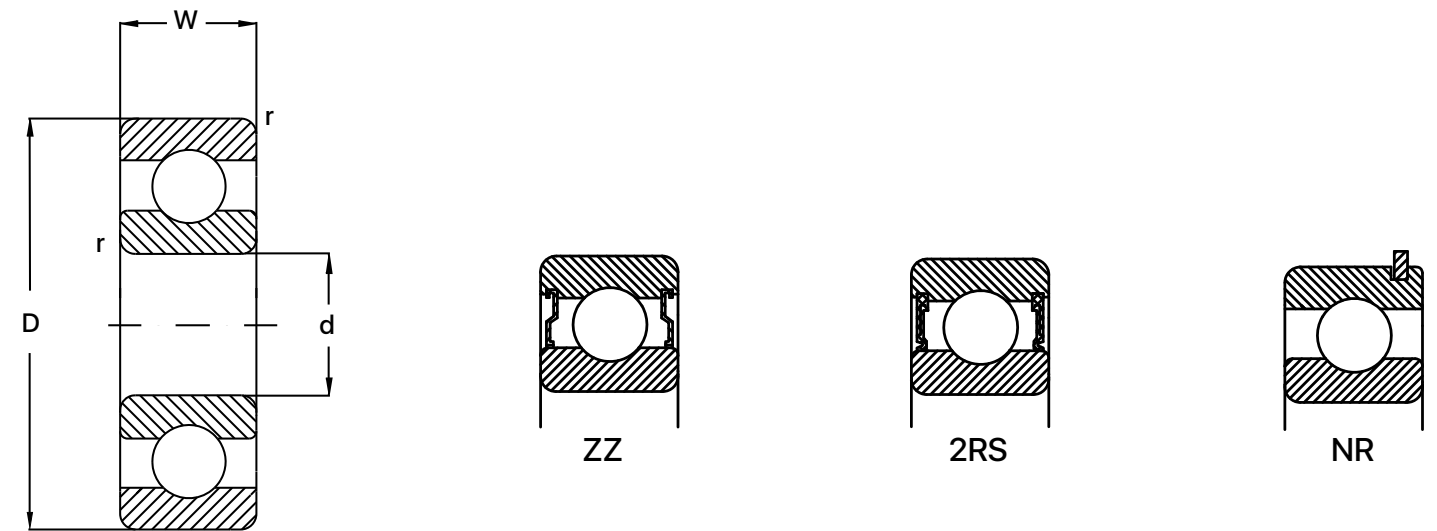


# BALL BEARINGS

## SINGLE-ROW RADIAL – 6400 OPEN ONLY SERIES

| Bearing*<br>no. | Bore |        | Outer diameter |        | Width |        | Radius |       | Basic load rating |             | Weight<br>lb |
|-----------------|------|--------|----------------|--------|-------|--------|--------|-------|-------------------|-------------|--------------|
|                 | d    |        | D              |        | W     |        | r      |       | Dynamic (C)       | Static (C0) |              |
|                 | mm   | in     | mm             | in     | mm    | in     | mm     | in    | lb                | lb          |              |
| 6403            | 17   | 0.6693 | 62             | 2.4409 | 17    | 0.6693 | 1.0    | 0.039 | 5100              | 2420        | 0.60         |
| 6404            | 20   | 0.7874 | 72             | 2.8346 | 19    | 0.7480 | 1.0    | 0.039 | 6400              | 3150        | 0.90         |
| 6405            | 25   | 0.9843 | 80             | 3.1496 | 21    | 0.8268 | 1.5    | 0.059 | 4750              | 2460        | 1.19         |
| 6406            | 30   | 1.1811 | 90             | 3.5433 | 23    | 0.9055 | 1.5    | 0.059 | 9750              | 5350        | 1.59         |
| 6407            | 35   | 1.3780 | 100            | 3.9370 | 25    | 0.9843 | 1.5    | 0.059 | 12400             | 7000        | 2.06         |
| 6408            | 40   | 1.5748 | 110            | 4.3307 | 27    | 1.0630 | 2.0    | 0.079 | 14300             | 8200        | 2.69         |
| 6409            | 45   | 1.7717 | 120            | 4.7244 | 29    | 1.1417 | 2.0    | 0.079 | 17300             | 10100       | 3.41         |
| 6410            | 50   | 1.9685 | 130            | 5.1181 | 31    | 1.2205 | 2.0    | 0.079 | 18700             | 11100       | 4.20         |
| 6411            | 55   | 2.1654 | 140            | 5.5118 | 33    | 1.2992 | 2.0    | 0.079 | 20000             | 12100       | 5.13         |
| 6412            | 60   | 2.3622 | 150            | 5.9055 | 35    | 1.3780 | 2.0    | 0.079 | 22900             | 14400       | 6.22         |
| 6413            | 65   | 2.5591 | 160            | 6.2992 | 37    | 1.4567 | 2.0    | 0.079 | 24900             | 16200       | 7.44         |
| 6414            | 70   | 2.7559 | 180            | 7.0866 | 42    | 1.6535 | 2.5    | 0.098 | 28800             | 20100       | 11.0         |
| 6415            | 75   | 2.9528 | 190            | 7.4803 | 45    | 1.7717 | 2.5    | 0.098 | 31000             | 22300       | 13.1         |
| 6416            | 80   | 3.1496 | 200            | 7.8740 | 48    | 1.8898 | 2.5    | 0.098 | 37000             | 28200       | 15.3         |
| 6417            | 85   | 3.3465 | 210            | 8.2677 | 52    | 2.0472 | 3.0    | 0.118 | 37000             | 28700       | 18.8         |
| 6418            | 90   | 3.5433 | 225            | 8.8583 | 54    | 2.1260 | 3.0    | 0.118 | 41500             | 35500       | 25.4         |

1. Not normal stock item. Contact us for availability.
2. For AISI 440C stainless steel, add "S" prefix.

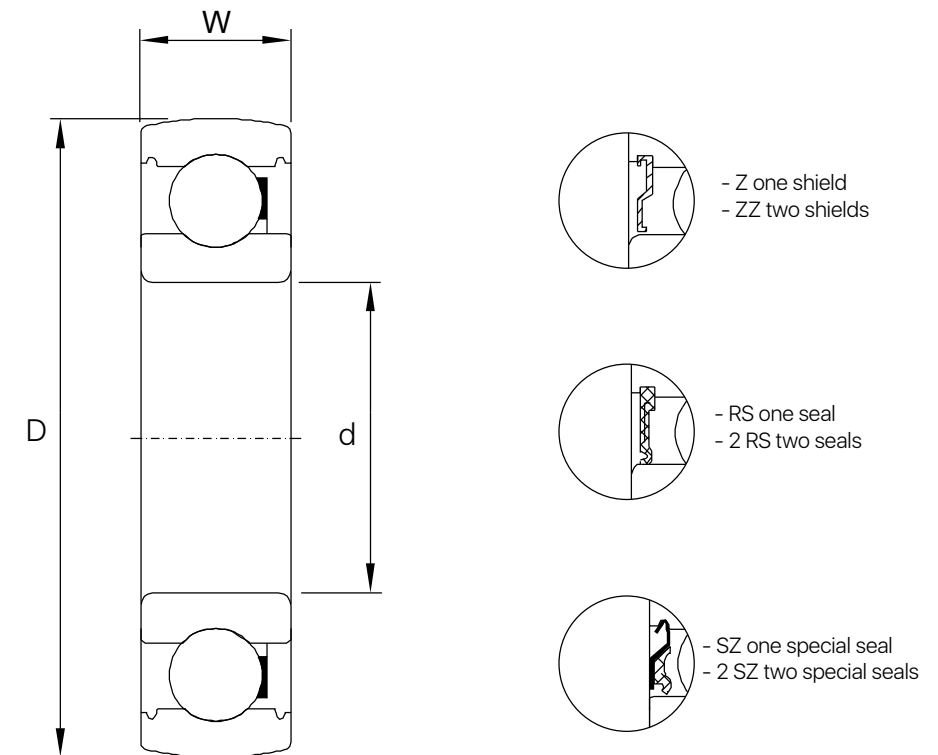


# BALL BEARINGS

SPHERICAL OD – SC200, SC300 SERIES

| Bearing no. | Description no. | Bore |        | Outer diameter |        | Width |        | Basic load rating |             | Weight<br>kg |
|-------------|-----------------|------|--------|----------------|--------|-------|--------|-------------------|-------------|--------------|
|             |                 | d    |        | D              |        | W     |        | Dynamic (C)       | Static (CO) |              |
|             |                 | mm   | in     | mm             | in     | mm    | in     | kN                |             |              |
| SC201       | 1726201-2RS     | 12   | 0.4724 | 32             | 1.2598 | 10    | 0.3937 | 6.82              | 3.06        | 0.035        |
| SC202       | 1726202-2RS     | 15   | 0.5906 | 35             | 1.3780 | 11    | 0.4331 | 7.64              | 3.72        | 0.045        |
| SC203       | 1726203-2RS     | 17   | 0.6693 | 40             | 1.5748 | 12    | 0.4724 | 9.57              | 4.79        | 0.064        |
| SC204       | 1726204-2RS     | 20   | 0.7871 | 47             | 1.8504 | 14    | 0.5512 | 12.84             | 6.66        | 0.11         |
| SC205       | 1726205-2RS     | 25   | 0.9843 | 52             | 2.0472 | 15    | 0.5006 | 14.01             | 7.84        | 0.18         |
| SC206       | 1726206-2RS     | 30   | 1.1811 | 62             | 2.4409 | 16    | 0.6299 | 19.40             | 11.27       | 0.20         |
| SC207       | 1726207-2RS     | 35   | 1.3780 | 72             | 2.8346 | 17    | 0.6693 | 25.68             | 15.39       | 0.30         |
| SC208       | 1726208-2RS     | 40   | 1.5748 | 80             | 3.1496 | 18    | 0.7087 | 29.11             | 17.84       | 0.37         |
| SC209       | 1726209-2RS     | 45   | 1.7717 | 85             | 3.3465 | 19    | 0.7480 | 32.63             | 20.29       | 0.41         |
| SC210       | 1726210-2RS     | 50   | 1.9685 | 90             | 3.5433 | 20    | 0.7874 | 35.08             | 23.23       | 0.46         |
| SC211       | 1726211-2RS     | 55   | 2.1654 | 100            | 3.9370 | 21    | 0.8268 | 43.32             | 29.90       | 0.61         |
| SC212       | 1726212-2RS     | 60   | 2.3622 | 110            | 4.3307 | 22    | 0.8661 | 47.82             | 35.28       | 0.78         |
| SC213       | 1726213-2RS     | 65   | 2.5590 | 120            | 4.7244 | 23    | 0.9055 | 57.21             | 40.00       | 0.99         |
| SC214       | 1726214-2RS     | 70   | 2.7559 | 125            | 4.9213 | 24    | 0.9449 | 60.83             | 45.03       | 1.08         |
| SC215       | 1726215-2RS     | 75   | 2.9528 | 130            | 5.1181 | 25    | 0.9843 | 66.11             | 49.50       | 1.17         |
| SC216       | 1726216-2RS     | 80   | 3.1496 | 140            | 5.5118 | 26    | 1.0236 | 71.55             | 54.30       | 1.44         |
| SC217       | 1726217-2RS     | 85   | 3.3465 | 150            | 5.9055 | 28    | 1.1024 | 83.21             | 63.96       | 1.80         |
| SC304       | 1726304-2RS     | 20   | 0.7874 | 52             | 2.0172 | 15    | 0.5906 | 15.88             | 7.84        | 0.14         |
| SC305       | 1726305-2RS     | 25   | 0.9843 | 62             | 2.4409 | 17    | 0.6693 | 20.58             | 11.27       | 0.24         |
| SC306       | 1726306-2RS     | 30   | 1.1811 | 72             | 2.8346 | 19    | 0.7480 | 26.66             | 14.99       | 0.35         |
| SC307       | 1726307-2RS     | 35   | 1.3780 | 80             | 3.1496 | 21    | 0.8268 | 33.32             | 19.21       | 0.46         |
| SC308       | 1726308-2RS     | 40   | 1.5748 | 90             | 3.5433 | 23    | 0.8055 | 40.67             | 24.01       | 0.64         |
| SC309       | 1726309-2RS     | 45   | 1.7717 | 100            | 3.9370 | 25    | 0.9843 | 48.80             | 29.50       | 0.84         |
| SC310       | 1726310-2RS     | 50   | 1.9685 | 110            | 4.3307 | 27    | 1.0630 | 61.94             | 38.22       | 1.10         |
| SC311       | 1726311-2RS     | 55   | 2.1651 | 120            | 4.7211 | 29    | 1.1917 | 71.57             | 44.76       | 1.36         |
| SC312       | 1726312-2RS     | 60   | 2.3622 | 130            | 5.1181 | 31    | 1.2205 | 81.75             | 51.85       | 1.70         |
| SC313       | 1726313-2RS     | 65   | 2.5590 | 140            | 5.5118 | 33    | 1.2992 | 93.87             | 60.44       | 2.09         |
| SC314       | 1726314-2RS     | 70   | 2.7559 | 150            | 5.9055 | 35    | 1.3780 | 104.13            | 68.04       | 2.51         |

More sizes available. Please contact us for details.



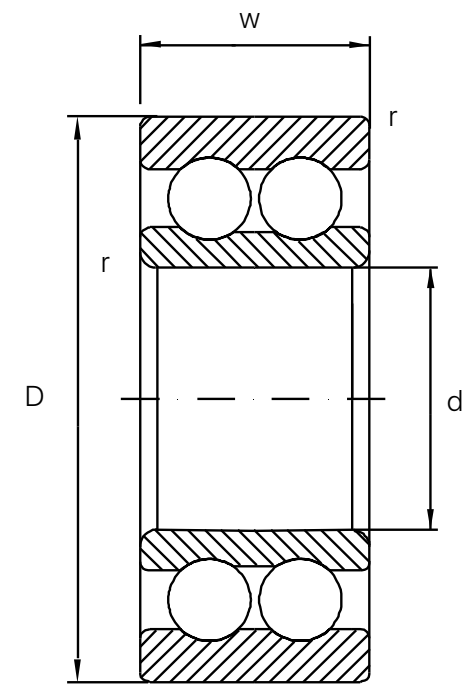
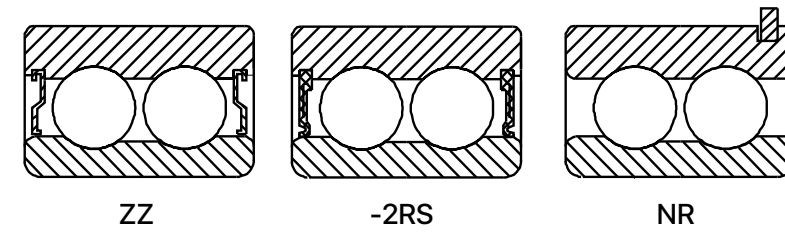


# BALL BEARINGS

## DOUBLE-ROW ANGULAR CONTACT – NON-FILLING-SLOT TYPE – 5200, W5200 SERIES

| Bearing no. | Bore |        | Outer diameter |        | Width  |          |        | Radius |       | Basic load rating |             | Weight |
|-------------|------|--------|----------------|--------|--------|----------|--------|--------|-------|-------------------|-------------|--------|
|             | d    |        | D              |        | W      |          |        | r      |       | Dynamic (C)       | Static (C0) |        |
|             | mm   | in     | mm             | in     | mm     | fraction | in     | mm     | in    | lb                | lb          |        |
| 5200        | 10   | 0.3937 | 30             | 1.1811 | 14.287 | 9/16     | 0.5625 | 0.8    | 0.032 | 1560              | 855         | 0.13   |
| 5201        | 12   | 0.4724 | 32             | 1.2598 | 15.875 | 5/8      | 0.6250 | 0.8    | 0.032 | 2050              | 1140        | 0.16   |
| W5201       | 12   | 0.4724 | 32             | 1.2598 | 17.463 | 11/16    | 0.6875 | 0.8    | 0.032 | 2360              | 1300        | 0.17   |
| 5202        | 15   | 0.5906 | 35             | 1.378  | 15.875 | 5/8      | 0.6250 | 1.0    | 0.039 | 2260              | 1360        | 0.18   |
| W5202       | 15   | 0.5906 | 35             | 1.378  | 19.05  | 3/4      | 0.7500 | 1.0    | 0.039 | 2620              | 1580        | 0.19   |
| 5203        | 17   | 0.6693 | 40             | 1.5748 | 17.463 | 11/16    | 0.6875 | 1.0    | 0.039 | 2870              | 1770        | 0.2    |
| W5203       | 17   | 0.6693 | 40             | 1.5748 | 20.638 | 13/16    | 0.8125 | 1.0    | 0.039 | 2870              | 1770        | 0.2    |
| 5204        | 20   | 0.7874 | 47             | 1.8504 | 20.63  | 13/16    | 0.8125 | 1.5    | 0.059 | 4300              | 2710        | 0.34   |
| W5204       | 20   | 0.7874 | 47             | 1.8504 | 23.813 | 15/16    | 0.9375 | 1.5    | 0.059 | 4300              | 1770        | 0.36   |
| 5205        | 25   | 0.9843 | 52             | 2.0472 | 20.638 | 13/16    | 0.8125 | 1.5    | 0.059 | 4650              | 3200        | 0.42   |
| W5205       | 25   | 0.9843 | 52             | 2.0472 | 23.813 | 15/16    | 0.9375 | 1.5    | 0.059 | 4650              | 3200        | 0.45   |
| 5206        | 30   | 1.1811 | 62             | 2.4409 | 23.813 | 15/16    | 0.9375 | 1.5    | 0.059 | 6450              | 4600        | 0.64   |
| W5206       | 30   | 1.1811 | 62             | 2.4409 | 26.988 | 11/16    | 1.0625 | 1.5    | 0.059 | 6450              | 4600        | 0.74   |
| 5207        | 35   | 1.378  | 72             | 2.8346 | 26.988 | 11/16    | 1.0625 | 2.0    | 0.079 | 8500              | 6250        | 0.95   |
| W5207       | 35   | 1.378  | 72             | 2.8346 | 30.163 | 13/16    | 1.1875 | 2.0    | 0.079 | 8500              | 6250        | 1.21   |
| 5208        | 40   | 1.5748 | 80             | 3.1496 | 30.163 | 13/16    | 1.1875 | 2.0    | 0.079 | 9600              | 7250        | 1.26   |
| 5209        | 45   | 1.7717 | 85             | 3.3465 | 30.163 | 13/16    | 1.1875 | 2.0    | 0.079 | 10800             | 8300        | 1.37   |
| 5210        | 50   | 1.9685 | 90             | 3.5433 | 30.163 | 13/16    | 1.1875 | 2.0    | 0.079 | 11500             | 9400        | 1.48   |
| 5211        | 55   | 2.1654 | 100            | 3.937  | 33.338 | 15/16    | 1.3125 | 2.5    | 0.098 | 14200             | 11900       | 2.17   |
| 5212        | 60   | 2.3622 | 110            | 4.3307 | 36.513 | 17/16    | 1.4375 | 2.5    | 0.098 | 16100             | 13100       | 2.8    |
| 5213        | 65   | 2.5591 | 120            | 4.7244 | 38.1   | 1 1/2    | 1.5000 | 2.5    | 0.098 | 18700             | 16300       | 3.46   |
| 5214        | 70   | 2.7559 | 125            | 4.9213 | 39.688 | 19/16    | 1.5625 | 2.5    | 0.098 | 20400             | 17900       | 3.97   |
| 5215        | 75   | 2.9528 | 130            | 5.1181 | 41.275 | 15/8     | 1.6250 | 2.5    | 0.098 | 20300             | 18100       | 4.2    |
| 5216        | 80   | 3.1496 | 140            | 5.5118 | 44.450 | 1 3/4    | 1.7500 | 3.0    | 0.118 | 23800             | 21400       | 5.5    |
| 5217        | 85   | 3.3465 | 150            | 5.9055 | 49.213 | 1 15/16  | 1.9375 | 3.0    | 0.118 | 25100             | 23900       | 6.75   |
| 5218        | 90   | 3.5433 | 160            | 6.2992 | 52.388 | 2 1/16   | 2.0626 | 3.0    | 0.118 | 31500             | 29000       | 8.9    |

Note: 5211 through 5218 are only available as open or NR types.



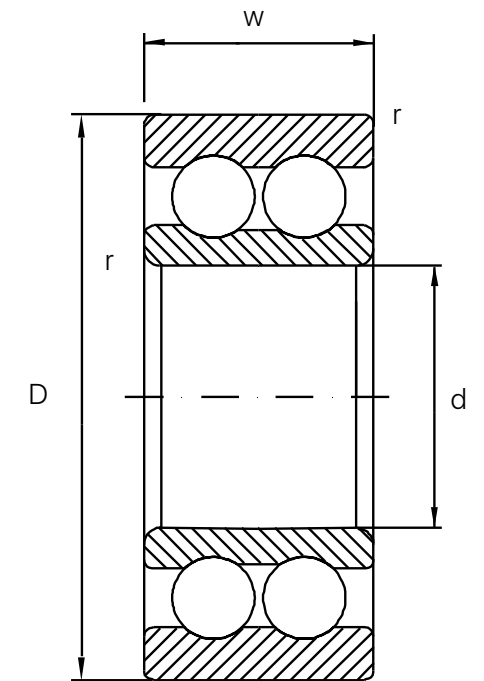
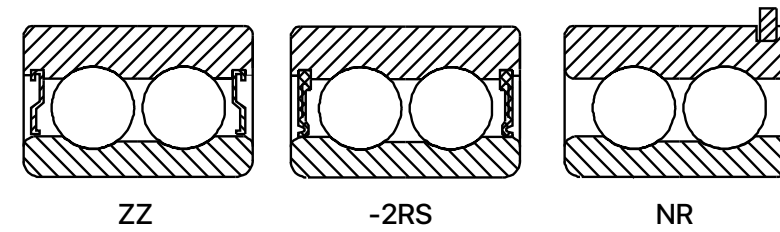
BEARINGS

BEARINGS

# BALL BEARINGS

## DOUBLE-ROW ANGULAR CONTACT – NON-FILLING SLOT TYPE – 5300, W5300 SERIES

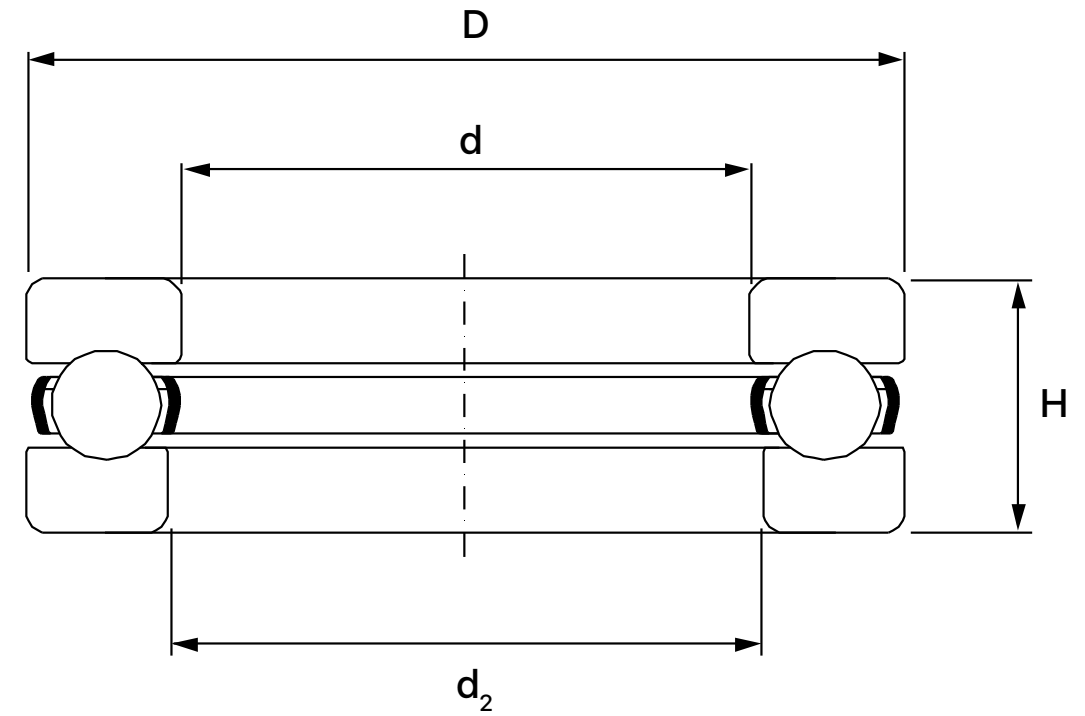
| Bearing no. | Bore |        | Outer diameter |        | Width  |          |        | Radius |       | Basic load rating |             | Weight |
|-------------|------|--------|----------------|--------|--------|----------|--------|--------|-------|-------------------|-------------|--------|
|             | d    |        | D              |        | W      |          |        | r      |       | Dynamic (C)       | Static (C0) |        |
|             | mm   | in     | mm             | in     | mm     | fraction | in     | mm     | in    | lb                | lb          |        |
| 5300        | 10   | 0.3937 | 35             | 1.3780 | 19.050 | 3/4      | 0.7500 | 0.6    | 0.024 | 1731              | 1224        | 0.22   |
| 5301        | 12   | 0.4724 | 37             | 1.4567 | 19.050 | 3/4      | 0.7500 | 1.1    | 0.043 | 1996              | 1389        | 0.23   |
| 5302        | 15   | 0.5906 | 42             | 1.6535 | 19.050 | 3/4      | 0.7500 | 1.5    | 0.059 | 3850              | 2260        | 0.38   |
| 5303        | 17   | 0.6693 | 47             | 1.8504 | 22.225 | 7/8      | 0.8750 | 1.5    | 0.059 | 4600              | 2720        | 0.49   |
| 5304        | 20   | 0.7874 | 52             | 2.0472 | 22.225 | 7/8      | 0.8750 | 2.0    | 0.079 | 4650              | 2850        | 0.51   |
| W5304       | 20   | 0.7874 | 52             | 2.0472 | 25.400 | 1        | 1.0000 | 2.0    | 0.079 | 4650              | 2850        | 0.54   |
| 5305        | 25   | 0.9843 | 62             | 2.4409 | 25.400 | 1        | 1.0000 | 2.0    | 0.079 | 6850              | 4600        | 0.75   |
| W5305       | 25   | 0.9843 | 62             | 2.4409 | 28.575 | 11/8     | 1.1250 | 2.0    | 0.079 | 6850              | 4600        | 0.89   |
| 5306        | 30   | 1.1811 | 72             | 2.8346 | 30.163 | 13/16    | 1.1875 | 2.0    | 0.079 | 8900              | 6200        | 1.13   |
| W5306       | 30   | 1.1811 | 72             | 2.8346 | 33.338 | 15/16    | 1.3125 | 2.0    | 0.079 | 8900              | 6200        | 1.41   |
| 5307        | 35   | 1.3780 | 80             | 3.1496 | 34.925 | 1 3/8    | 1.3750 | 2.5    | 0.098 | 11100             | 7850        | 1.74   |
| W5307       | 35   | 1.3780 | 80             | 3.1496 | 38.100 | 1 1/2    | 1.5000 | 2.5    | 0.098 | 11100             | 7850        | 1.89   |
| 5308        | 40   | 1.5748 | 90             | 3.5433 | 36.513 | 1 7/16   | 1.4375 | 2.5    | 0.098 | 13600             | 9850        | 2.32   |
| 5309        | 45   | 1.7717 | 100            | 3.9370 | 39.688 | 1 9/16   | 1.5625 | 2.5    | 0.098 | 16300             | 12100       | 3.10   |
| 5310        | 50   | 1.9685 | 110            | 4.3307 | 44.450 | 1 3/4    | 1.7500 | 3.0    | 0.118 | 19200             | 14500       | 4.00   |
| 5311        | 55   | 2.1654 | 120            | 4.7244 | 49.213 | 1 15/16  | 1.9375 | 3.0    | 0.118 | 23900             | 18500       | 5.11   |
| 5312        | 60   | 2.3622 | 130            | 5.1181 | 53.975 | 2 1/8    | 2.1250 | 3.5    | 0.138 | 27300             | 21400       | 6.72   |
| 5313        | 65   | 2.5591 | 140            | 5.5118 | 58.738 | 2 5/16   | 2.3125 | 3.5    | 0.138 | 31000             | 24600       | 8.60   |
| 5314        | 70   | 2.7559 | 150            | 5.9055 | 63.500 | 2 1/2    | 2.5000 | 3.5    | 0.138 | 35000             | 28000       | 10.80  |
| 5315        | 75   | 2.9528 | 160            | 6.2992 | 68.263 | 2 11/16  | 2.6875 | 3.5    | 0.138 | 38000             | 31500       | 12.10  |
| 5316        | 80   | 3.1496 | 170            | 6.6929 | 68.263 | 2 11/16  | 2.6875 | 3.5    | 0.138 | 42000             | 34500       | 15.00  |



# BALL BEARINGS

## SINGLE-DIRECTION THRUST – 51100 METRIC SERIES

| Bearing no. | Bore |        |                |       | Outer diameter |        | Width |       | Basic load rating |                          | Weight<br>lb |
|-------------|------|--------|----------------|-------|----------------|--------|-------|-------|-------------------|--------------------------|--------------|
|             | d    |        | d <sub>2</sub> |       | D              |        | H     |       | Dynamic (C)       | Static (C <sub>0</sub> ) |              |
|             | mm   | in     | mm             | in    | mm             | in     | mm    | in    | lb                |                          |              |
| 51100       | 10   | 0.3937 | 11             | 0.433 | 24             | 0.9449 | 9     | 2250  | 2250              | 3150                     | 0.046        |
| 51101       | 12   | 0.4724 | 13             | 0.512 | 26             | 1.0236 | 9     | 2320  | 2320              | 3450                     | 0.051        |
| 51102       | 15   | 0.5906 | 16             | 0.630 | 28             | 1.1024 | 9     | 2370  | 2370              | 3750                     | 0.053        |
| 51103       | 17   | 0.6693 | 18             | 0.709 | 30             | 1.1811 | 9     | 2430  | 2430              | 4100                     | 0.057        |
| 51104       | 20   | 0.7874 | 21             | 0.827 | 35             | 1.3780 | 10    | 3200  | 3200              | 5550                     | 0.088        |
| 51105       | 25   | 0.9843 | 26             | 1.024 | 42             | 1.6535 | 11    | 4400  | 4400              | 8350                     | 0.132        |
| 51106       | 30   | 1.1811 | 32             | 1.260 | 47             | 1.8504 | 11    | 4600  | 4600              | 9500                     | 0.152        |
| 51107       | 35   | 1.3780 | 37             | 1.457 | 52             | 2.0472 | 12    | 4600  | 4600              | 10000                    | 0.187        |
| 51108       | 40   | 1.5748 | 42             | 1.654 | 60             | 2.3622 | 13    | 6050  | 6050              | 14100                    | 0.276        |
| 51109       | 45   | 1.7717 | 47             | 1.850 | 65             | 2.5591 | 14    | 6250  | 6250              | 15500                    | 0.326        |
| 51110       | 50   | 1.9685 | 52             | 2.047 | 70             | 2.7559 | 14    | 6450  | 6450              | 17000                    | 0.355        |
| 51111       | 55   | 2.1654 | 57             | 2.244 | 78             | 3.0709 | 16    | 7800  | 7800              | 20900                    | 0.498        |
| 51112       | 60   | 2.3622 | 62             | 2.441 | 85             | 3.3465 | 17    | 9300  | 9300              | 25300                    | 0.653        |
| 51113       | 65   | 2.5591 | 67             | 2.638 | 90             | 3.5433 | 18    | 9400  | 9400              | 26400                    | 0.745        |
| 51114       | 70   | 2.7559 | 72             | 2.835 | 95             | 3.7402 | 18    | 9700  | 9700              | 28500                    | 0.785        |
| 51115       | 75   | 2.9528 | 77             | 3.031 | 100            | 3.9370 | 19    | 10000 | 10000             | 30500                    | 0.880        |

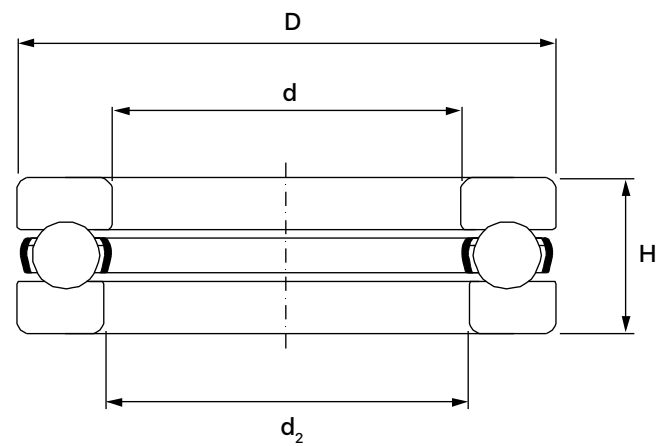




## BALL BEARINGS

### SINGLE-DIRECTION THRUST – 51200 METRIC SERIES

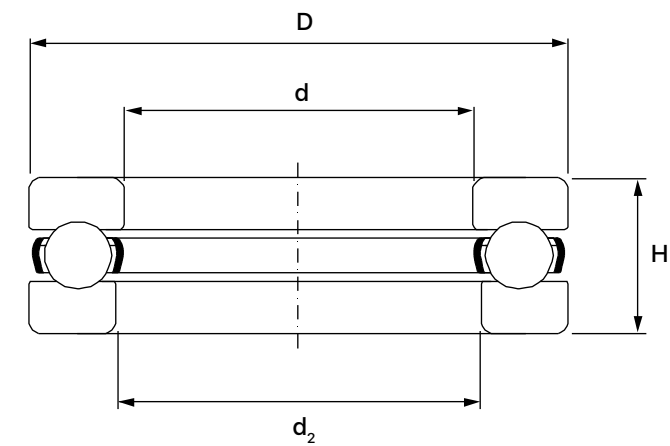
| Bearing no. | Bore |        |                |       | Outer diameter |        | Width |        | Basic load rating |                          | Weight<br>lb |
|-------------|------|--------|----------------|-------|----------------|--------|-------|--------|-------------------|--------------------------|--------------|
|             | d    |        | d <sub>2</sub> |       | D              |        | H     |        | Dynamic (C)       | Static (C <sub>0</sub> ) |              |
|             | mm   | in     | mm             | in    | mm             | in     | mm    | in     | lb                | lb                       |              |
| 51200       | 10   | 0.3937 | 12             | 0.472 | 26             | 1.0236 | 11    | 0.4331 | 2850              | 3850                     | 0.066        |
| 51201       | 12   | 0.4724 | 14             | 0.551 | 28             | 1.1024 | 11    | 0.4331 | 2960              | 4250                     | 0.075        |
| 51202       | 15   | 0.5906 | 17             | 0.669 | 32             | 1.2598 | 12    | 0.4724 | 3750              | 5600                     | 0.101        |
| 51203       | 17   | 0.6693 | 19             | 0.748 | 35             | 1.3780 | 12    | 0.4724 | 3850              | 6150                     | 0.119        |
| 51204       | 20   | 0.7874 | 22             | 0.866 | 40             | 1.5748 | 14    | 0.5512 | 5000              | 8500                     | 0.179        |
| 51205       | 25   | 0.9843 | 27             | 1.063 | 47             | 1.8504 | 15    | 0.5906 | 6250              | 11300                    | 0.245        |
| 51206       | 30   | 1.1811 | 32             | 1.260 | 52             | 2.0472 | 16    | 0.6299 | 6600              | 13100                    | 0.306        |
| 51207       | 35   | 1.3780 | 37             | 1.457 | 62             | 2.4409 | 18    | 0.7087 | 8800              | 17600                    | 0.474        |
| 51208       | 40   | 1.5748 | 42             | 1.654 | 68             | 2.6772 | 19    | 0.7480 | 10000             | 22100                    | 0.608        |
| 51209       | 45   | 1.7717 | 47             | 1.850 | 73             | 2.8740 | 20    | 0.7874 | 10700             | 23600                    | 0.699        |
| 51210       | 50   | 1.9685 | 52             | 2.047 | 78             | 3.0709 | 22    | 0.8661 | 10900             | 25100                    | 0.833        |
| 51211       | 55   | 2.1654 | 57             | 2.244 | 90             | 3.5433 | 25    | 0.9843 | 15600             | 35500                    | 1.34         |
| 51212       | 60   | 2.3622 | 62             | 2.441 | 95             | 3.7402 | 26    | 1.0236 | 16500             | 40000                    | 1.49         |
| 51213       | 65   | 2.5591 | 67             | 2.638 | 100            | 3.9370 | 27    | 1.0630 | 16800             | 42500                    | 1.69         |
| 51214       | 70   | 2.7559 | 72             | 2.835 | 105            | 4.1339 | 27    | 1.0630 | 17100             | 44500                    | 1.75         |
| 51215       | 75   | 2.9528 | 77             | 3.031 | 110            | 4.3307 | 27    | 1.0630 | 17400             | 47000                    | 1.93         |



## BALL BEARINGS

### SINGLE-DIRECTION THRUST – 51300 METRIC SERIES

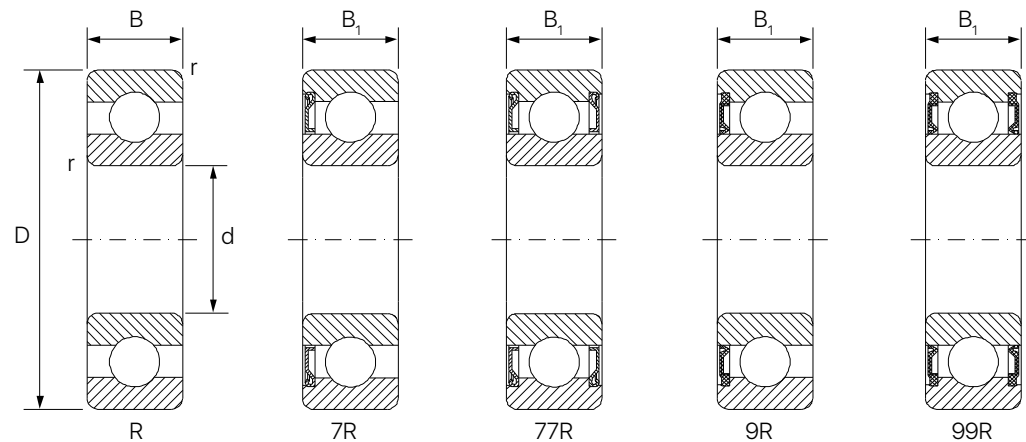
| Bearing no. | Bore |        |                |       | Outer diameter |        | Width |        | Basic load rating |                          | Weight<br>lb |
|-------------|------|--------|----------------|-------|----------------|--------|-------|--------|-------------------|--------------------------|--------------|
|             | d    |        | d <sub>2</sub> |       | D              |        | H     |        | Dynamic (C)       | Static (C <sub>0</sub> ) |              |
|             | mm   | in     | mm             | in    | mm             | in     | mm    | in     | lb                | lb                       |              |
| 51305       | 25   | 0.9843 | 27             | 1.063 | 52             | 2.0472 | 18    | 0.7087 | 8050              | 13800                    | 0.388        |
| 51306       | 30   | 1.1811 | 32             | 1.260 | 60             | 2.3622 | 21    | 0.8268 | 9600              | 17700                    | 0.593        |
| 51307       | 35   | 1.3780 | 37             | 1.457 | 68             | 2.6772 | 24    | 0.9449 | 12500             | 23500                    | 0.845        |
| 51308       | 40   | 1.5748 | 42             | 1.654 | 78             | 3.0709 | 26    | 1.0236 | 15600             | 30000                    | 1.21         |
| 51309       | 45   | 1.7717 | 47             | 1.850 | 85             | 3.3465 | 28    | 1.1024 | 18000             | 36500                    | 1.51         |



## BALL BEARINGS

DEEP GROOVE – TYPE R

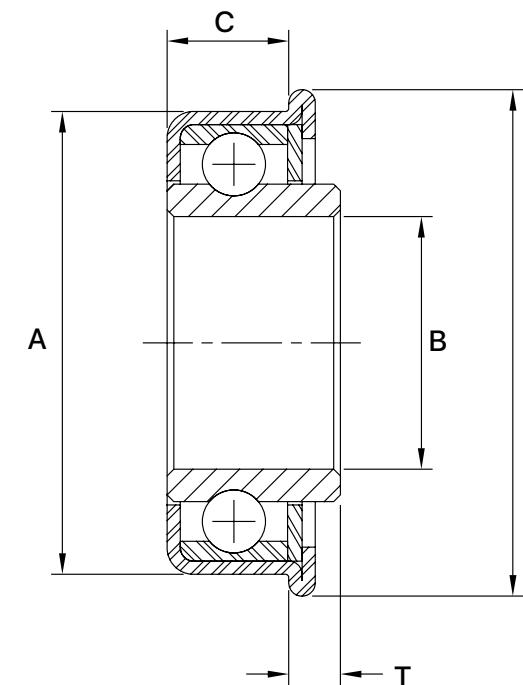
| Bearing no. | Bore   |       | Outer diameter |       | Width  |       |                |        | Radius   |      | Basic load rating |                          | Weight<br>lb |
|-------------|--------|-------|----------------|-------|--------|-------|----------------|--------|----------|------|-------------------|--------------------------|--------------|
|             | d      |       | D              |       | B      |       | B <sub>1</sub> |        | r (min.) |      | Dynamic (C)       | Static (C <sub>0</sub> ) |              |
|             | mm     | in    | mm             | in    | mm     | in    | mm             | in     | mm       | in   | lb                |                          |              |
| R2          | 3.175  | 1/8   | 9.525          | 3/8   | 3.967  | 5/32  | 3.967          | 5/32   | 0.3      | 0.12 | 44                | 50                       | 0.003        |
| R2A         | 3.175  | 1/8   | 12.7           | 1/2   | 4.366  | 11/64 | 4.366          | 11/64  | 0.3      | 0.12 | 58                | 89                       | 0.007        |
| R3          | 4.762  | 1/5   | 12.7           | 1/2   | 3.967  | 5/32  | 4.978          | 0.1960 | 0.3      | 0.12 | 295               | 110                      | 0.005        |
| R4          | 6.35   | 1/4   | 15.875         | 5/8   | 4.978  | 0.196 | 4.978          | 0.1960 | 0.3      | 0.12 | 335               | 139                      | 0.010        |
| R4A         | 6.35   | 1/4   | 19.05          | 3/4   | 5.556  | 7/32  | 7.144          | 9/32   | 0.4      | 0.16 | 525               | 199                      | 0.017        |
| R6          | 9.525  | 3/8   | 22.225         | 7/8   | 5.556  | 7/32  | 7.144          | 9/32   | 0.4      | 0.16 | 745               | 315                      | 0.024        |
| R8          | 12.7   | 1/2   | 28.575         | 11/8  | 6.35   | 1/4   | 7.938          | 5/16   | 0.4      | 0.16 | 1148              | 535                      | 0.039        |
| R10         | 15.875 | 5/8   | 34.925         | 13/8  | 7.144  | 9/32  | 8.732          | 11/32  | 0.8      | 0.31 | 1347              | 734                      | 0.081        |
| R12         | 19.05  | 3/4   | 41.275         | 15/8  | 7.938  | 5/16  | 11.113         | 7/16   | 0.8      | 0.31 | 1770              | 1018                     | 0.104        |
| R14         | 22.225 | 7/8   | 47.625         | 17/8  | 9.525  | 3/8   | 12.7           | 1/2    | 0.8      | 0.31 | 2261              | 1316                     | 0.157        |
| R16         | 25.4   | 1     | 50.8           | 2     | 9.525  | 3/8   | 12.7           | 1/2    | 0.8      | 0.31 | 2261              | 1316                     | 0.187        |
| R18         | 28.575 | 1 1/8 | 53.975         | 2 1/8 | 9.525  | 3/8   | 12.7           | 1/2    | 0.8      | 0.31 | 2150              | 1407                     | 0.198        |
| R20         | 31.75  | 1 1/4 | 57.15          | 2 1/4 | 9.525  | 3/8   | 12.7           | 1/2    | 0.8      | 0.31 | 2973              | 1858                     | 0.209        |
| R22         | 34.925 | 1 1/4 | 63.5           | 2 1/2 | 11.113 | 7/16  | 14.288         | 9/16   | 0.8      | 0.31 | 2756              | 1910                     | 0.232        |
| R24         | 38.1   | 1 1/4 | 66.675         | 15/8  | 11.113 | 7/16  | 14.288         | 9/16   | 0.8      | 0.31 | 2906              | 2084                     | 0.309        |



## BALL BEARINGS

CARBONE – HWDG SERIES – FOR HEAVY-DUTY APPLICATIONS

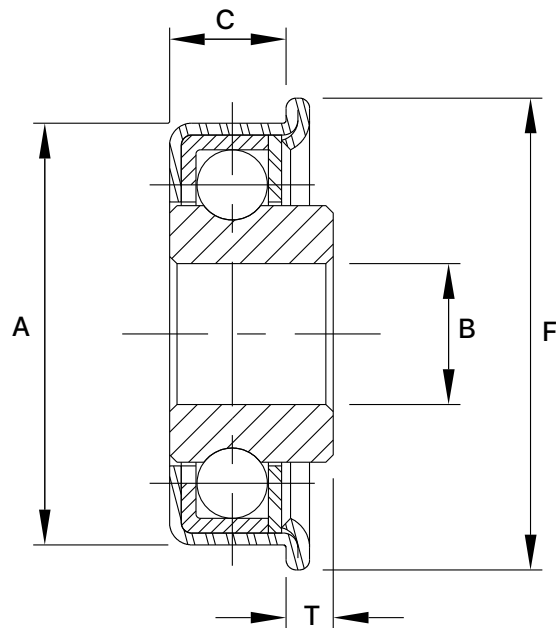
| Bearing no. | Item no. | Outside dia. | Bore        | C    | Flange dia. | T    | Radial load rating at 600 RPM<br>lb | Canimex part no. |
|-------------|----------|--------------|-------------|------|-------------|------|-------------------------------------|------------------|
|             |          | A            | B           |      | F           |      |                                     |                  |
|             |          | in           | in          |      | in          |      |                                     |                  |
| C8-22F      | HWDG-13A | 1.375-1.380  | 0.501-0.506 | 3/8  | 1 1/2       | 1/8  | 170                                 | 102129           |
| C10-22F     | HWDG-13B | 1.375-1.380  | 0.626-0.631 | 3/8  | 1 1/2       | 1/8  | 170                                 | 124833           |
| C12-22F     | HWDG-13C | 1.375-1.380  | 0.751-0.756 | 3/8  | 1 1/2       | 1/8  | 170                                 | 102131           |
| C16-32F     | HWDG-20B | 2.000-2.005  | 1.007-1.013 | 7/16 | 2 1/8       | 3/16 | 350                                 | 206366           |



## BALL BEARINGS

CARBONE – HW SERIES – FOR STANDARD APPLICATIONS

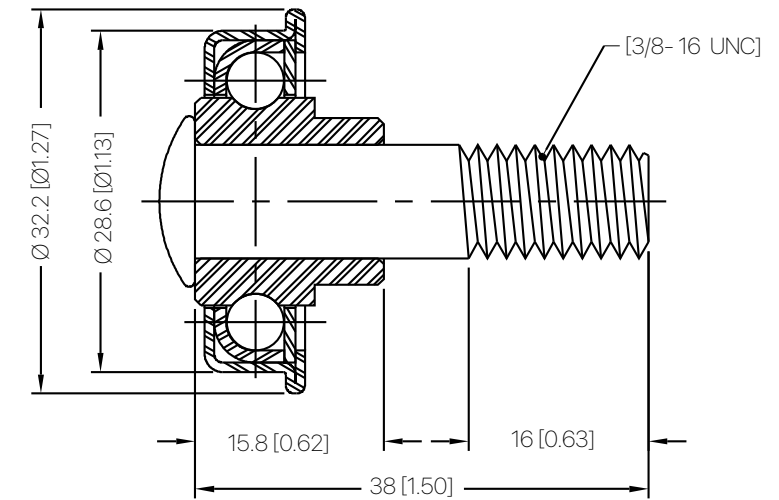
| Bearing no. | Item no. | Outside dia. | Bore        | C    | Flange dia. | T   | Radial load rating at 600 RPM | Canimex part no. |
|-------------|----------|--------------|-------------|------|-------------|-----|-------------------------------|------------------|
|             |          | A            | B           |      | F           |     |                               |                  |
|             |          | in           | in          | in   | in          | in  | lb                            |                  |
| C6-18F      | HW-11A   | 1.126-1.131  | 0.376-0.381 | 5/16 | 1 1/4       | 1/8 | 70                            | 102109           |
| C8-18F      | HW-11B   | 1.126-1.131  | 0.501-0.506 | 5/16 | 1 1/4       | 1/8 | 70                            | 102128           |



## BALL BEARINGS

CARBONE – C6-18FSF

| Bearing no.       | Outside diameter | Stud diameter | Canimex part no. |
|-------------------|------------------|---------------|------------------|
| C6-18FS-HEX-HR-V1 | 1.13" (28.6 mm)  | 3/8" - 16     | 244709           |



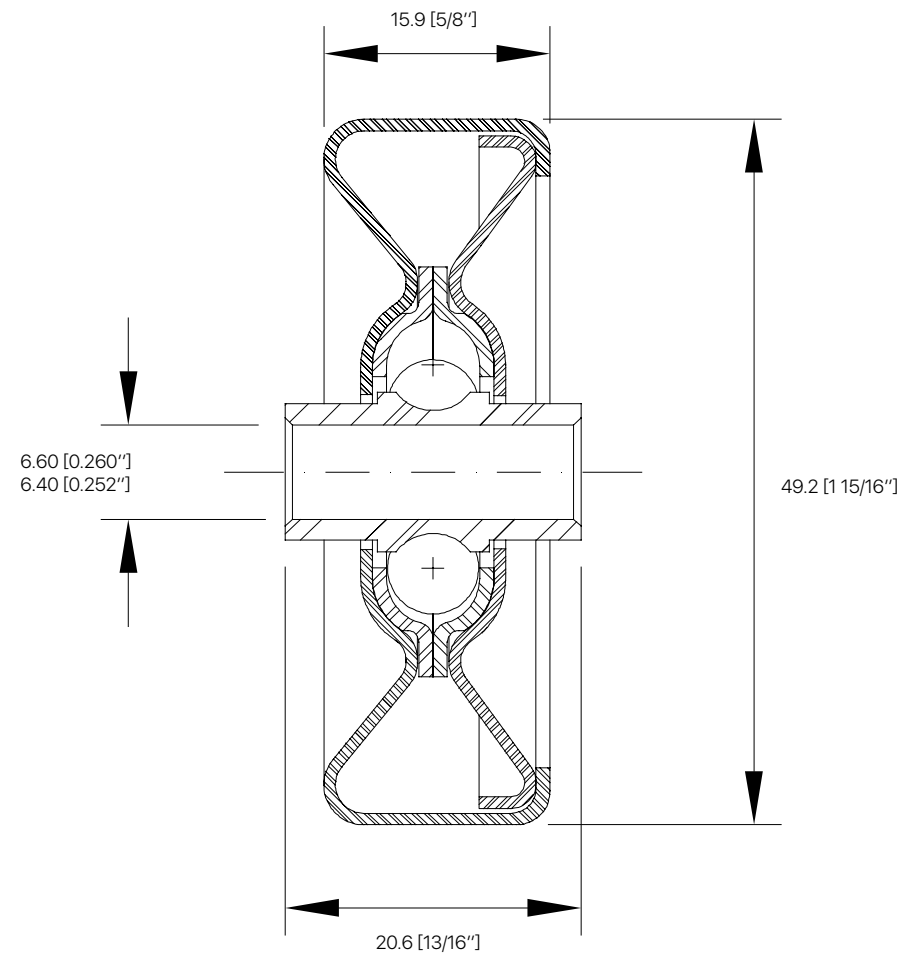


# BALL BEARINGS

CARBONE

50Z (LIGHT OIL – 1/4 RD)

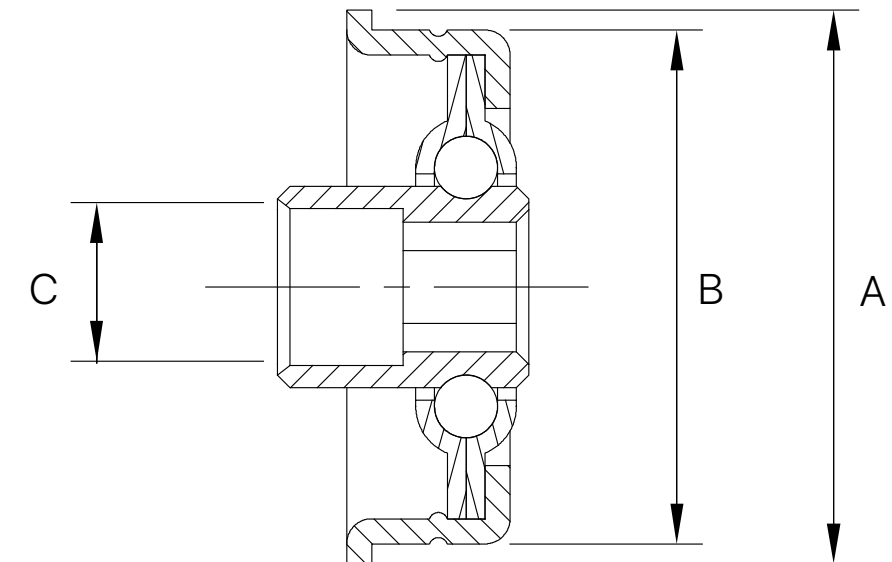
| Bearing no. | Outside diameter width | Bore (B)    | C   | Canimex part no. |
|-------------|------------------------|-------------|-----|------------------|
| 50Z         | 1 15/16" (49.2mm)      | 0.252-0.260 | 5/8 | 179158           |



# BALL BEARINGS

CONVEYOR

| Bearing no. | Flange approx. OD |       | Bore size  | Weight per 1000 units | Standard box quantity |
|-------------|-------------------|-------|------------|-----------------------|-----------------------|
|             | A                 | B     |            |                       |                       |
|             | in                | in    | C          | lb                    |                       |
| 1276        | 1.375             | 1.277 | 5/16" Hex  | 70                    | 1300                  |
| 2900        | 1.668             | 1.530 | 7/16" Hex  | 184                   | 500                   |
| 1721        | 1.865             | 1.728 | 7/16" Hex  | 164                   | 600                   |
| 1002        | 1.903             | 1.780 | 1/4" Rd    | 188                   | 600                   |
| 2532        | 2.437             | 2.270 | 11/16" Hex | 653                   | 150                   |
| 2537        | 2.437             | 2.270 | 7/16" Hex  | 734                   | 150                   |



BEARINGS

BEARINGS

# ROLLER BEARINGS – TAPERED

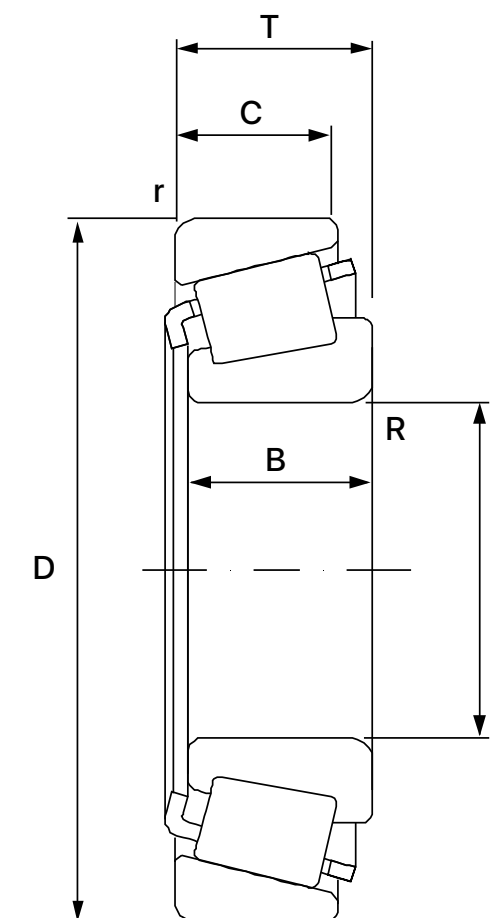
- Good for pure axial loads
- Excellent for pure radial loads
- Superb for combination loads



# ROLLER BEARINGS – TAPERED

METRIC SIZE

| Bearing no. | Dimensions (mm) |       |       |    |      |       |        | Basic load rating (N) |             | Limiting speeds RPM |       | Mass kg |
|-------------|-----------------|-------|-------|----|------|-------|--------|-----------------------|-------------|---------------------|-------|---------|
|             | d               | D     | T     | B  | C    | Rmin. | rmin.  | Dynamic (C)           | Static (C0) | Grease              | Oil   |         |
| 30302       | 15              | 42    | 14.25 | 13 | 11   | 1.0   | 1.0    | 21200                 | 12700       | 9900                | 13000 | 0.098   |
| 30203       | 17              | 40    | 13.25 | 12 | 11   | 1.0   | 1.0    | 17900                 | 11000       | 9900                | 13000 | 0.080   |
| 30303       |                 | 47    | 15.25 | 14 | 12   | 1.0   | 1.0    | 33000                 | 21200       | 9000                | 12000 | 0.134   |
| 32004X      | 20              | 42    | 15    | 15 | 12   | 0.6   | 0.6    | 22900                 | 15600       | 9500                | 13000 | 0.097   |
| 30204       |                 | 47    | 15.25 | 14 | 12   | 1.0   | 1.0    | 26000                 | 16600       | 8800                | 12000 | 0.127   |
| 30304       |                 | 52    | 16.25 | 15 | 13   | 1.5   | 1.5    | 31900                 | 20000       | 8000                | 11000 | 0.169   |
| 32005X      | 25              | 47    | 15    | 15 | 11.5 | 0.6   | 0.6    | 25500                 | 18300       | 7900                | 11000 | 0.114   |
| 30205       |                 | 52    | 16.25 | 15 | 13   | 1.0   | 1.0    | 29200                 | 19300       | 7300                | 9800  | 0.154   |
| 32205       |                 | 52    | 19.25 | 18 | 16   | 1.0   | 1.0    | 34100                 | 25000       | 7300                | 9800  | 0.187   |
| 30305       |                 | 62    | 18.25 | 17 | 15   | 1.5   | 1.5    | 41800                 | 26500       | 6700                | 8900  | 0.272   |
| 32006X      | 30              | 55    | 17    | 17 | 13   | 1.0   | 1.0    | 33600                 | 24500       | 6900                | 9200  | 0.166   |
| 30206       |                 | 62    | 17.25 | 16 | 14   | 1.0   | 1.0    | 38000                 | 25500       | 6300                | 8400  | 0.241   |
| 32206       |                 | 62    | 21.25 | 20 | 17   | 1.0   | 1.0    | 47300                 | 33500       | 6300                | 8400  | 0.301   |
| 30306       |                 | 72    | 20.75 | 19 | 16   | 1.5   | 1.5    | 52800                 | 34500       | 5700                | 7600  | 0.408   |
| 32306       |                 | 72    | 28.75 | 27 | 23   | 1.5   | 1.5    | 72100                 | 52000       | 5700                | 7600  | 0.583   |
| 32007X      | 35              | 62    | 18    | 18 | 14   | 1.0   | 1.0    | 40200                 | 30500       | 6100                | 8100  | 0.224   |
| 30207       |                 | 72    | 18.25 | 17 | 15   | 1.5   | 1.5    | 48400                 | 32500       | 5500                | 7400  | 0.344   |
| 32207       |                 | 72    | 24.25 | 23 | 19   | 1.5   | 1.5    | 61600                 | 45000       | 5500                | 7400  | 0.457   |
| 30307       |                 | 80    | 22.75 | 21 | 18   | 2.0   | 1.5    | 68200                 | 45000       | 5000                | 6600  | 0.520   |
| 32307       |                 | 80    | 32.75 | 31 | 25   | 2.0   | 1.5    | 89700                 | 65500       | 5000                | 6600  | 0.787   |
| 32008X      | 40              | 68    | 19    | 19 | 14.5 | 1.0   | 1.0    | 44500                 | 40000       | 5300                | 7100  | 0.278   |
| 30208       |                 | 80    | 19.75 | 18 | 16   | 1.5   | 1.5    | 58300                 | 40000       | 4900                | 6600  | 0.435   |
| 32208       |                 | 80    | 24.75 | 23 | 19   | 1.5   | 1.5    | 70400                 | 50000       | 4900                | 6600  | 0.558   |
| 30308       |                 | 90    | 25.25 | 23 | 20   | 2.0   | 1.5    | 80900                 | 56000       | 4400                | 5900  | 0.769   |
| 31308       |                 | 90    | 25.25 | 23 | 17   | 2.0   | 1.5    | 69300                 | 46500       | 3900                | 5200  | 0.738   |
| 32308       | 90              | 35.25 | 32    | 27 | 2.0  | 1.5   | 110000 | 83000                 | 4400        | 5900                | 1.080 |         |
| 32009X      | 45              | 75    | 20    | 20 | 15.5 | 1.0   | 1.0    | 55000                 | 44000       | 4800                | 6400  | 0.346   |
| 30209       |                 | 85    | 20.75 | 19 | 16   | 1.5   | 1.5    | 62700                 | 44000       | 4400                | 5900  | 0.495   |
| 32209       |                 | 85    | 24.75 | 23 | 19   | 1.5   | 1.5    | 74800                 | 56000       | 4400                | 5900  | 0.607   |
| 33209       |                 | 85    | 32    | 32 | 25   | 1.5   | 1.5    | 101000                | 81500       | 4400                | 5900  | 0.783   |
| 30309       |                 | 100   | 27.25 | 25 | 22   | 2.0   | 1.5    | 101000                | 72000       | 4000                | 5300  | 1.010   |
| 31309       |                 | 100   | 27.25 | 25 | 18   | 2.0   | 1.5    | 85800                 | 60000       | 3500                | 4600  | 0.958   |
| 32309       |                 | 100   | 38.25 | 36 | 30   | 2.0   | 1.5    | 132000                | 102000      | 4000                | 5300  | 1.460   |
| 32010X      | 50              | 80    | 20    | 20 | 15.5 | 1.0   | 1.0    | 57200                 | 48000       | 4400                | 5800  | 0.366   |
| 30210       |                 | 90    | 21.75 | 20 | 17   | 1.5   | 1.5    | 70400                 | 52000       | 4000                | 5300  | 0.563   |
| 32210       |                 | 90    | 24.75 | 23 | 19   | 1.5   | 1.5    | 70400                 | 52000       | 4000                | 5300  | 0.648   |
| 30310       |                 | 110   | 29.25 | 27 | 23   | 2.5   | 2.0    | 117000                | 83000       | 3600                | 4800  | 1.310   |
| 31310       |                 | 110   | 29.25 | 27 | 19   | 2.5   | 2.0    | 99000                 | 69500       | 3200                | 4200  | 1.250   |
| 32310       |                 | 110   | 42.25 | 40 | 33   | 2.5   | 2.0    | 161000                | 127000      | 3600                | 4800  | 1.920   |

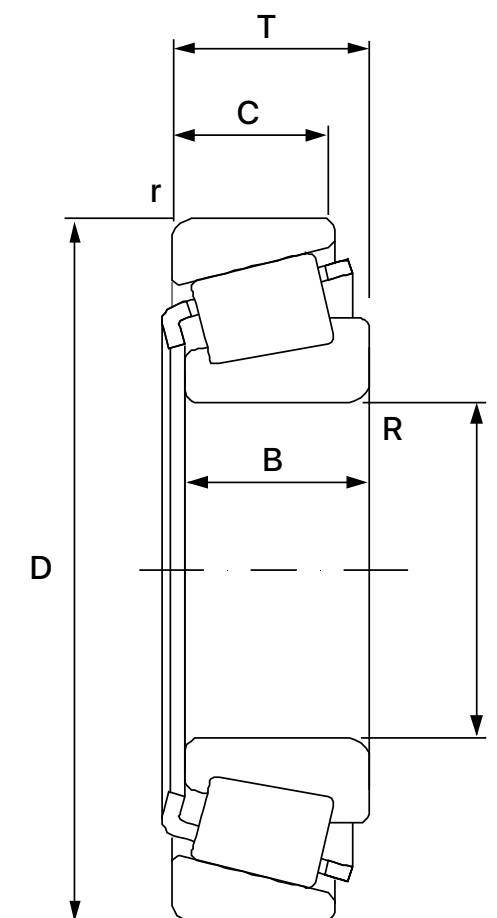




# ROLLER BEARINGS – TAPERED

METRIC SIZE

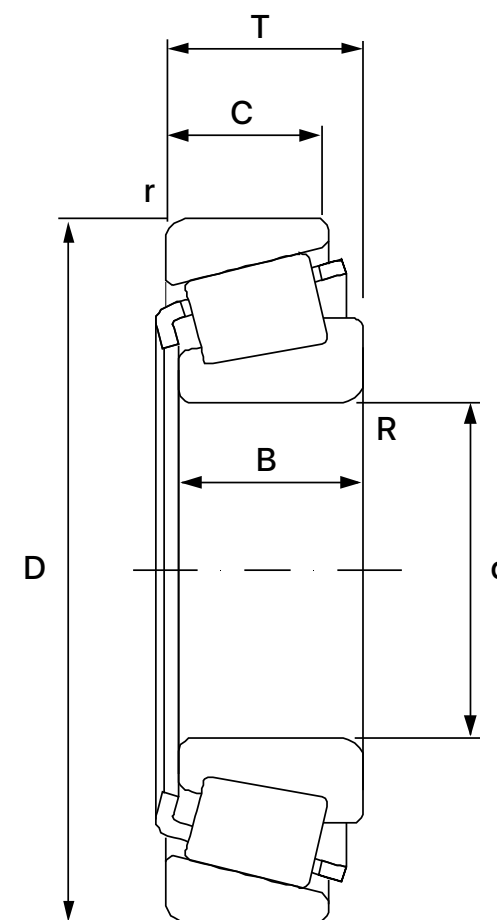
| Bearing no. | Dimensions (mm) |      |       |    |      |       |        | Basic load rating (N) |             | Limiting speeds RPM |       | Mass kg |
|-------------|-----------------|------|-------|----|------|-------|--------|-----------------------|-------------|---------------------|-------|---------|
|             | d               | D    | T     | B  | C    | Rmin. | rmin.  | Dynamic (C)           | Static (CO) | Grease              | Oil   |         |
| 32011X      | 55              | 90   | 23    | 23 | 17.5 | 1.5   | 1.5    | 76500                 | 64000       | 4000                | 5400  | 0.563   |
| 30211       |                 | 100  | 22.75 | 21 | 18   | 2.0   | 1.5    | 84200                 | 61000       | 3600                | 4900  | 0.740   |
| 32211       |                 | 100  | 26.75 | 25 | 21   | 2.0   | 1.5    | 99000                 | 75000       | 3600                | 4900  | 0.876   |
| 30311       |                 | 120  | 31.5  | 29 | 21   | 2.5   | 2.0    | 134000                | 96500       | 3300                | 4400  | 1.660   |
| 31311       |                 | 120  | 31.5  | 29 | 21   | 2.5   | 2.0    | 114000                | 80000       | 2900                | 3800  | 1.590   |
| 32311       |                 | 120  | 45.5  | 43 | 35   | 2.5   | 2.0    | 187000                | 150000      | 3300                | 4400  | 2.440   |
| 32012X      | 60              | 95   | 23    | 23 | 17.5 | 1.5   | 1.5    | 76500                 | 67000       | 3700                | 4900  | 0.576   |
| 30212       |                 | 110  | 23.75 | 22 | 19   | 2.0   | 1.5    | 91300                 | 65500       | 3400                | 4500  | 0.949   |
| 32212       |                 | 110  | 29.75 | 28 | 24   | 2.0   | 1.5    | 119000                | 91500       | 3400                | 4500  | 1.180   |
| 30312       |                 | 130  | 33.5  | 31 | 26   | 3.0   | 2.5    | 161000                | 116000      | 3000                | 4000  | 2.060   |
| 32312       | 130             | 48.5 | 46    | 37 | 3.0  | 2.5   | 216000 | 173000                | 3000        | 4000                | 3.020 |         |
| 32013X      | 65              | 100  | 23    | 23 | 17.5 | 1.5   | 1.5    | 78100                 | 68000       | 3400                | 4600  | 0.630   |
| 30213       |                 | 120  | 24.75 | 23 | 20   | 2.0   | 1.5    | 108000                | 78000       | 3100                | 4200  | 1.180   |
| 32213       |                 | 120  | 32.75 | 31 | 27   | 2.0   | 1.5    | 142000                | 112000      | 3100                | 4200  | 1.580   |
| 30313       |                 | 140  | 36    | 33 | 28   | 3.0   | 2.5    | 183000                | 134000      | 2800                | 3700  | 2.550   |
| 31313       |                 | 140  | 36    | 33 | 23   | 3.0   | 2.5    | 154000                | 112000      | 2500                | 3300  | 2.420   |
| 32313       |                 | 140  | 51    | 48 | 39   | 3.0   | 2.5    | 246000                | 200000      | 2800                | 3700  | 3.660   |
| 32014X      | 70              | 110  | 25    | 25 | 19   | 1.5   | 1.5    | 95200                 | 83000       | 3200                | 4200  | 0.848   |
| 30214       |                 | 125  | 26.25 | 24 | 21   | 2.0   | 1.5    | 119000                | 88000       | 2900                | 3900  | 1.260   |
| 32214       |                 | 125  | 33.25 | 31 | 27   | 2.0   | 1.5    | 147000                | 118000      | 2900                | 3900  | 1.680   |
| 31314       |                 | 150  | 38    | 35 | 25   | 3.0   | 2.5    | 176000                | 127000      | 2300                | 3000  | 2.920   |
| 32015X      | 75              | 115  | 25    | 25 | 19   | 1.5   | 1.5    | 99000                 | 88000       | 3000                | 4000  | 0.909   |
| 30215       |                 | 130  | 27.25 | 25 | 22   | 2.0   | 1.5    | 130000                | 100000      | 2700                | 3600  | 1.410   |
| 32215       |                 | 130  | 33.25 | 31 | 27   | 2.0   | 1.5    | 151000                | 120000      | 2700                | 3600  | 1.740   |
| 32016X      | 80              | 125  | 29    | 29 | 22   | 1.5   | 1.5    | 128000                | 116000      | 2800                | 3700  | 1.280   |
| 32216       |                 | 140  | 35.25 | 33 | 28   | 2.5   | 2.0    | 176000                | 137000      | 2500                | 3400  | 2.180   |
| 32017X      | 85              | 130  | 29    | 29 | 22   | 1.5   | 1.5    | 130000                | 120000      | 2600                | 3500  | 1.350   |
| 32217       |                 | 150  | 38.5  | 36 | 30   | 2.5   | 2.0    | 201000                | 163000      | 2400                | 3200  | 2.750   |
| 32018X      | 90              | 140  | 32    | 32 | 24   | 2.0   | 1.5    | 157000                | 146000      | 2500                | 3300  | 1.790   |
| 30218       |                 | 160  | 32.5  | 30 | 26   | 2.5   | 2.0    | 183000                | 140000      | 2200                | 3000  | 2.660   |
| 32218       |                 | 160  | 42.5  | 40 | 34   | 2.5   | 2.0    | 238000                | 193000      | 2200                | 3000  | 3.490   |
| 30318       |                 | 190  | 46.5  | 43 | 36   | 4.0   | 3.0    | 308000                | 236000      | 2000                | 2700  | 6.030   |
| 32020X      | 100             | 150  | 32    | 32 | 24   | 2.0   | 1.5    | 161000                | 150000      | 2200                | 3000  | 1.910   |
| 32220       |                 | 180  | 49    | 46 | 39   | 3.0   | 2.5    | 297000                | 250000      | 2000                | 2700  | 5.120   |
| 32221       |                 | 105  | 190   | 53 | 50   | 43    | 3.0    | 2.5                   | 341000      | 290000              | 1900  | 2500    |
| 32022X      | 110             | 170  | 38    | 38 | 29   | 2.5   | 2.0    | 220000                | 208000      | 2000                | 2700  | 3.070   |
| 32024X      | 120             | 180  | 38    | 38 | 29   | 2.5   | 2.0    | 229000                | 224000      | 1800                | 2500  | 3.250   |
| 32026X      | 130             | 200  | 45    | 45 | 34   | 2.5   | 2.0    | 297000                | 290000      | 1700                | 2200  | 4.960   |



# ROLLER BEARINGS – TAPERED

IMPERIAL SIZE

| Bearing no.       | Boundary dimensions (mm) |        |       |       |       |       |       | Basic load rating (kn) |             | Limiting speeds RPM |       | Mass kg |
|-------------------|--------------------------|--------|-------|-------|-------|-------|-------|------------------------|-------------|---------------------|-------|---------|
|                   | d                        | D      | T     | B     | C     | Rmin. | rmin. | Dynamic (C)            | Static (CO) | Grease              | Oil   |         |
| LM11949/LM11910   | 0.750                    | 1.781  | 0.610 | 0.655 | 0.475 | 0.050 | 0.050 | 33.8                   | 27.5        | 13000               | 16000 | 0.12    |
| L44643/L44610     | 1.000                    | 1.980  | 0.560 | 0.580 | 0.420 | 0.050 | 0.050 | 32                     | 30          | 11000               | 13000 | 0.13    |
| L44649/L44610     | 1.063                    | 1.980  | 0.560 | 0.580 | 0.420 | 0.140 | 0.050 | 32                     | 30          | 11000               | 13000 | 0.12    |
| LM67048/LM67010   | 1.250                    | 2.328  | 0.625 | 0.660 | 0.465 | 0.158 | 0.050 | 42.8                   | 41.5        | 9500                | 11000 | 0.18    |
| 15123/15245       | 1.250                    | 2.441  | 0.715 | 0.750 | 0.563 | 0.142 | 0.050 | 59.5                   | 57          | 9000                | 11000 | 0.24    |
| 14125A/14276      | 1.250                    | 2.717  | 0.781 | 0.771 | 0.625 | 0.140 | 0.050 | 48.5                   | 58          | 5600                | 7400  | 0.36    |
| LM48548/LM48510   | 1.375                    | 2.563  | 0.710 | 0.720 | 0.550 | 0.154 | 0.050 | 58                     | 57          | 8500                | 10000 | 0.26    |
| 25877/25821       | 1.375                    | 2.875  | 0.940 | 0.969 | 0.750 | 0.059 | 0.032 | 72.1                   | 88          | 7000                | 10000 | 0.47    |
| L68149/L68110     | 1.378                    | 2.328  | 0.625 | 0.660 | 0.470 | 0.203 | 0.050 | 40.6                   | 44          | 9000                | 11000 | 0.17    |
| L68149/L68111     | 1.378                    | 2.362  | 0.625 | 0.660 | 0.470 | 0.203 | 0.050 | 40.6                   | 44          | 9000                | 11000 | 0.18    |
| LM29749/LM29710   | 1.500                    | 2.563  | 0.710 | 0.720 | 0.550 | 0.090 | 0.050 | 53                     | 57          | 8000                | 10000 | 0.24    |
| LM501349/LM501310 | 1.625                    | 2.891  | 0.770 | 0.780 | 0.580 | 0.137 | 0.310 | 56                     | 69.5        | 5000                | 6600  | .34     |
| 25580/25520       | 1.750                    | 3.265  | 0.938 | 1.000 | 0.750 | 0.140 | 0.030 | 59.5                   | 57          | 9000                | 11000 | 0.24    |
| 25580/25520       | 1.750                    | 3.265  | 0.938 | 1.000 | 0.750 | 0.140 | 0.030 | 99.1                   | 106         | 6700                | 8000  | 0.57    |
| LM603049/LM603011 | 1.781                    | 3.063  | 0.781 | 0.781 | 0.594 | 0.140 | 0.030 | 66.8                   | 69.5        | 7000                | 8500  | 0.37    |
| 25590/25520       | 1.796                    | 3.265  | 0.938 | 1.000 | 0.750 | 0.140 | 0.030 | 99.1                   | 106         | 6700                | 8000  | 0.55    |
| 3780/3720         | 2.000                    | 3.672  | 1.190 | 1.193 | 0.935 | 0.138 | 0.130 | 110                    | 146         | 5300                | 7500  | 0.85    |
| JLM506849/810     | 2.165                    | 3.5433 | 0.905 | 0.905 | 0.728 | 0.060 | 0.020 | 77.5                   | 109         | 3900                | 2300  | 0.56    |
| 387/382A          | 2.250                    | 3.813  | 0.830 | 0.864 | 0.625 | 0.09  | 0.03  | 80.9                   | 102         | 5000                | 7500  | 0.59    |
| 28995/28921       | 2.470                    | 3.737  | 1.000 | 1.000 | 0.781 | 0.138 | 0.130 | 90.5                   | 134         | 3500                | 4700  | 0.70    |
| 39585/39520       | 2.500                    | 4.438  | 0.938 | 1.187 | 0.935 | 0.154 | 0.130 | 175                    | 204         | 4500                | 5600  | 1.26    |
| 47687/47620       | 3.250                    | 5.250  | 1.313 | 1.312 | 1.030 | 0.268 | 0.130 | 153                    | 235         | 2600                | 3500  | 1.94    |



# UNITS

- Already assembled
- Ready to use
- Low radial and/or axial loads

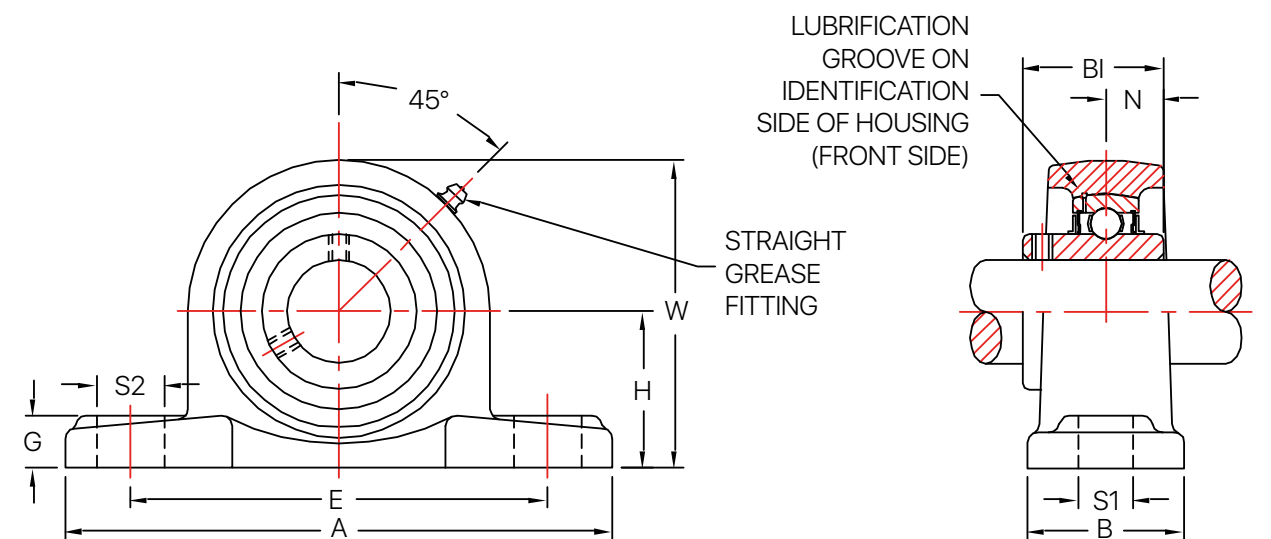




# UNITS

## PILLOW BLOCK – UCP 200 TYPE NORMAL DUTY – SET SCREW

| Bearing no. | Shaft dia. |    | Dimensions (in) |          |         |         |       |       |       |         |        |        | Bolt used | Wgt lb |  |  |
|-------------|------------|----|-----------------|----------|---------|---------|-------|-------|-------|---------|--------|--------|-----------|--------|--|--|
|             | in         | mm | H               | A        | E       | B       | S2    | S1    | G     | W       | BI     | N      |           |        |  |  |
| UCP 201-08  | 1/2        | -- |                 |          |         |         |       |       |       |         |        |        |           |        |  |  |
| UCP 202-10  | 5/8        | -- |                 |          |         |         |       |       |       |         |        |        |           |        |  |  |
| UCP 201     | --         | 12 | 1 3/16          | 5        | 3 3/4   | 1 1/2   | 3/4   | 1/2   | 9/16  | 2 7/16  | 1.2205 | 0.5000 | 3/8       | 1.72   |  |  |
| UCP 202     | --         | 15 |                 |          |         |         |       |       |       |         |        |        |           |        |  |  |
| UCP 203     | --         | 17 |                 |          |         |         |       |       |       |         |        |        |           |        |  |  |
| UCP 204-12  | 3/4        | -- | 1 5/16          | 5        | 3 3/4   | 1 1/2   | 3/4   | 1/2   | 9/16  | 2 9/16  | 1.2205 | 0.5000 | 3/8       | 1.46   |  |  |
| UCP 204     | --         | 20 |                 |          |         |         |       |       |       |         |        |        |           |        |  |  |
| UCP 205-14  | 7/8        | -- |                 |          |         |         |       |       |       |         |        |        |           |        |  |  |
| UCP 205-15  | 15/16      | -- | 1 7/16          | 5 1/2    | 4 1/8   | 1 1/2   | 3/4   | 1/2   | 19/32 | 2 25/35 | 1.3425 | 0.5630 | 3/8       | 1.90   |  |  |
| UCP 205-16  | 1          | -- |                 |          |         |         |       |       |       |         |        |        |           |        |  |  |
| UCP 205     | --         | 25 |                 |          |         |         |       |       |       |         |        |        |           |        |  |  |
| UCP 206-18  | 1 1/8      | -- |                 |          |         |         |       |       |       |         |        |        |           |        |  |  |
| UCP 206-19  | 1 3/16     | -- | 1 11/16         | 6 1/2    | 4 3/4   | 1 7/8   | 25/32 | 43/64 | 21/32 | 3 5/16  | 1.5000 | 0.6260 | 1/2       | 3.11   |  |  |
| UCP 206-20  | 1 1/4      | -- |                 |          |         |         |       |       |       |         |        |        |           |        |  |  |
| UCP 206     | --         | 30 |                 |          |         |         |       |       |       |         |        |        |           |        |  |  |
| UCP 207-20  | 1 1/4      | -- |                 |          |         |         |       |       |       |         |        |        |           |        |  |  |
| UCP 207-22  | 1 3/8      | -- | 1 7/8           | 6 9/16   | 5       | 1 7/8   | 25/32 | 43/64 | 45/64 | 3 21/32 | 1.6890 | 0.6890 | 1/2       | 3.66   |  |  |
| UCP 207     | --         | 35 |                 |          |         |         |       |       |       |         |        |        |           |        |  |  |
| UCP 208-24  | 1 1/2      | -- | 1 15/16         | 7 1/4    | 5 13/32 | 2 1/8   | 25/32 | 43/64 | 45/64 | 3 15/16 | 1.9370 | 0.7480 | 1/2       | 4.67   |  |  |
| UCP 208     | --         | 40 |                 |          |         |         |       |       |       |         |        |        |           |        |  |  |
| UCP 209-26  | 1 5/8      | -- |                 |          |         |         |       |       |       |         |        |        |           |        |  |  |
| UCP 209-28  | 1 3/4      | -- | 2 1/8           | 7 15/32  | 5 3/4   | 2 1/8   | 25/32 | 43/64 | 25/32 | 4 11/16 | 1.9370 | 0.7480 | 1/2       | 5.29   |  |  |
| UCP 209     | --         | 45 |                 |          |         |         |       |       |       |         |        |        |           |        |  |  |
| UCP 210-30  | 1 7/8      | -- |                 |          |         |         |       |       |       |         |        |        |           |        |  |  |
| UCP 210-31  | 1 15/16    | -- | 2 1/4           | 8 1/8    | 6 1/4   | 2 3/8   | 29/32 | 25/32 | 53/64 | 4 29/64 | 2.0315 | 0.7480 | 5/8       | 6.48   |  |  |
| UCP 210     | --         | 50 |                 |          |         |         |       |       |       |         |        |        |           |        |  |  |
| UCP 211-32  | 2          | -- | 2 1/2           | 8 5/8    | 6 47/64 | 2 3/8   | 29/32 | 25/32 | 29/32 | 4 59/64 | 2.1890 | 0.8740 | 5/8       | 8.07   |  |  |
| UCP 211     | --         | 55 |                 |          |         |         |       |       |       |         |        |        |           |        |  |  |
| UCP 212-36  | 2 1/4      | -- |                 |          |         |         |       |       |       |         |        |        |           |        |  |  |
| UCP 212-39  | 2 7/16     | -- | 2 3/4           | 9 1/2    | 7 1/4   | 2 3/4   | 29/32 | 25/32 | 63/64 | 5 7/16  | 2.5630 | 1.0000 | 5/8       | 11.30  |  |  |
| UCP 212     | --         | 60 |                 |          |         |         |       |       |       |         |        |        |           |        |  |  |
| UCP 213-40  | 2 1/2      | -- | 3               | 10 7/16  | 8       | 2 3/4   | 13/32 | 63/64 | 11/16 | 5 29/32 | 2.5630 | 1.0000 | 3/4       | 13.40  |  |  |
| UCP 213     | --         | 65 |                 |          |         |         |       |       |       |         |        |        |           |        |  |  |
| UCP 215-47  | 2 15/16    | -- |                 |          |         |         |       |       |       |         |        |        |           |        |  |  |
| UCP 215-48  | 3          | -- | 3 1/4           | 10 53/64 | 8 35/64 | 2 29/32 | 63/64 | 13/32 | 13/32 | 6 3/8   | 3.0630 | 1.3110 | 3/4       | 15.60  |  |  |
| UCP 215     | --         | 75 |                 |          |         |         |       |       |       |         |        |        |           |        |  |  |



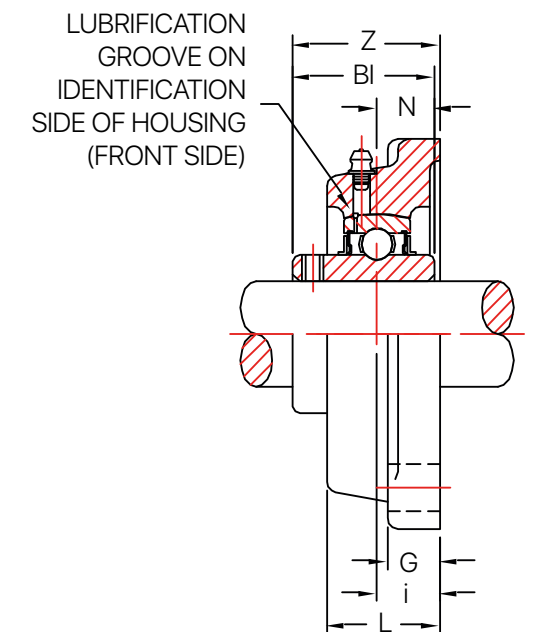
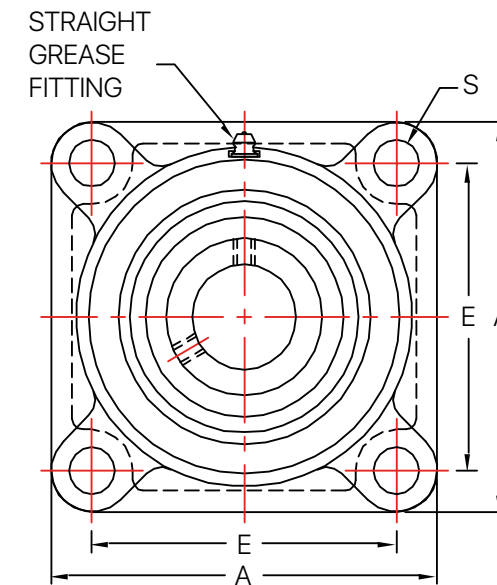
BEARINGS

BEARINGS

# UNITS

## 4-BOLT FLANGE- UCF 200 TYPE NORMAL DUTY – SET SCREW

| Bearing no. | Shaft dia. |    | Dimensions (in) |         |        |       |         |       |         |        |        | Bolt used | Wgt lb |  |
|-------------|------------|----|-----------------|---------|--------|-------|---------|-------|---------|--------|--------|-----------|--------|--|
|             | in         | mm | A               | E       | i      | G     | L       | S     | Z       | BI     | N      |           |        |  |
| UCF 201-08  | 1/2        | -- |                 |         |        |       |         |       |         |        |        |           |        |  |
| UCF 202-10  | 5/8        | -- |                 |         |        |       |         |       |         |        |        |           |        |  |
| UCF 204-12  | 3/4        | -- |                 |         |        |       |         |       |         |        |        |           |        |  |
| UCF 201     | --         | 12 | 3 3/8           | 2 33/64 | 19/32  | 15/32 | 1       | 15/32 | 15/16   | 1.2205 | 0.5000 | 3/8       | 1.43   |  |
| UCF 202     | --         | 15 |                 |         |        |       |         |       |         |        |        |           |        |  |
| UCF 203     | --         | 17 |                 |         |        |       |         |       |         |        |        |           |        |  |
| UCF 204     | --         | 20 |                 |         |        |       |         |       |         |        |        |           |        |  |
| UCF 205-14  | 7/8        | -- |                 |         |        |       |         |       |         |        |        |           |        |  |
| UCF 205-15  | 15/16      | -- | 3 3/4           | 2 3/4   | 5/8    | 35/64 | 11/16   | 15/32 | 113/32  | 1.3425 | 0.5630 | 3/8       | 1.87   |  |
| UCF 205-16  | 1          | -- |                 |         |        |       |         |       |         |        |        |           |        |  |
| UCF 205     | --         | 25 |                 |         |        |       |         |       |         |        |        |           |        |  |
| UCF 206-18  | 1 1/8      | -- |                 |         |        |       |         |       |         |        |        |           |        |  |
| UCF 206-19  | 1 3/16     | -- | 4 1/4           | 3 17/64 | 45/64  | 35/64 | 17/32   | 15/32 | 119/32  | 1.5000 | 0.6260 | 3/8       | 2.54   |  |
| UCF 206-20  | 1 1/4      | -- |                 |         |        |       |         |       |         |        |        |           |        |  |
| UCF 206     | --         | 30 |                 |         |        |       |         |       |         |        |        |           |        |  |
| UCF 207-20  | 1 1/4      | -- |                 |         |        |       |         |       |         |        |        |           |        |  |
| UCF 207-22  | 1 3/8      | -- | 4 39/64         | 3 5/8   | 3/4    | 5/8   | 111/32  | 35/64 | 1 3/4   | 1.6890 | 0.6890 | 7/16      | 3.53   |  |
| UCF 207     | --         | 35 |                 |         |        |       |         |       |         |        |        |           |        |  |
| UCF 208-24  | 1 1/2      | -- |                 |         |        |       |         |       |         |        |        |           |        |  |
| UCF 208     | --         | 40 | 5 1/8           | 4 1/64  | 53/64  | 5/8   | 127/64  | 5/8   | 1 1/64  | 1.9370 | 0.7480 | 1/2       | 4.52   |  |
| UCF 209-26  | 1 5/8      | -- |                 |         |        |       |         |       |         |        |        |           |        |  |
| UCF 209-28  | 1 3/4      | -- | 5 13/32         | 4 9/64  | 55/64  | 23/32 | 1 1/2   | 5/8   | 2 1/16  | 1.9370 | 0.7480 | 1/2       | 5.25   |  |
| UCF 209     | --         | 45 |                 |         |        |       |         |       |         |        |        |           |        |  |
| UCF 210-30  | 1 7/8      | -- |                 |         |        |       |         |       |         |        |        |           |        |  |
| UCF 210-31  | 1 15/16    | -- | 5 5/8           | 4 3/8   | 55/64  | 23/32 | 1 9/16  | 5/8   | 2 5/32  | 2.0315 | 0.7480 | 1/2       | 5.51   |  |
| UCF 210     | --         | 50 |                 |         |        |       |         |       |         |        |        |           |        |  |
| UCF 211-32  | 2          | -- |                 |         |        |       |         |       |         |        |        |           |        |  |
| UCF 211     | --         | 55 | 6 3/8           | 5 1/8   | 63/64  | 25/32 | 1 11/16 | 3/4   | 2 5/16  | 2.1890 | 0.8740 | 5/8       | 7.94   |  |
| UCF 212-36  | 2 1/4      | -- |                 |         |        |       |         |       |         |        |        |           |        |  |
| UCF 212-39  | 2 7/16     | -- | 6 57/64         | 5 5/8   | 19/64  | 25/32 | 1 57/64 | 3/4   | 2 45/64 | 2.5630 | 1.0000 | 5/8       | 10.80  |  |
| UCF 212     | --         | 60 |                 |         |        |       |         |       |         |        |        |           |        |  |
| UCF 213-40  | 2 1/2      | -- |                 |         |        |       |         |       |         |        |        |           |        |  |
| UCF 213     | --         | 65 | 7 23/64         | 5 55/64 | 13/16  | 55/64 | 1 31/32 | 3/4   | 2 3/4   | 2.5630 | 1.0000 | 5/8       | 13.00  |  |
| UCF 215-47  | 2 15/16    | -- |                 |         |        |       |         |       |         |        |        |           |        |  |
| UCF 215-48  | 3          | -- | 7 7/8           | 6 17/64 | 111/32 | 55/64 | 2 7/32  | 3/4   | 3 3/32  | 3.0630 | 1.3110 | 5/8       | 13.95  |  |
| UCF 215     | --         | 75 |                 |         |        |       |         |       |         |        |        |           |        |  |
| UCF 218-56  | 3 1/2      | -- |                 |         |        |       |         |       |         |        |        |           |        |  |
| UCF 218     | --         | 90 | 9 1/4           | 7 23/64 | 137/64 | 15/16 | 2 11/16 | 29/32 | 3 25/32 | 3.7795 | 1.5630 | 3/4       | 17.25  |  |



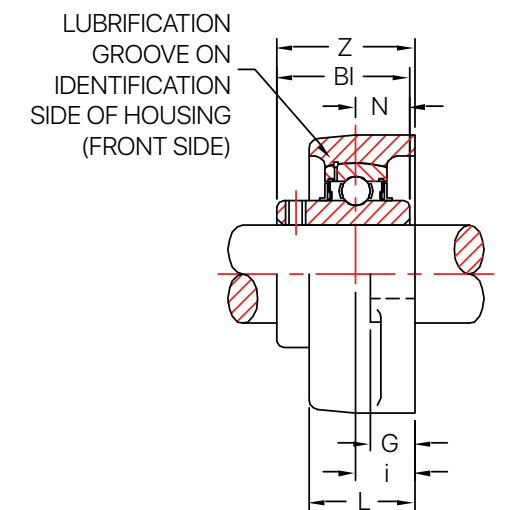
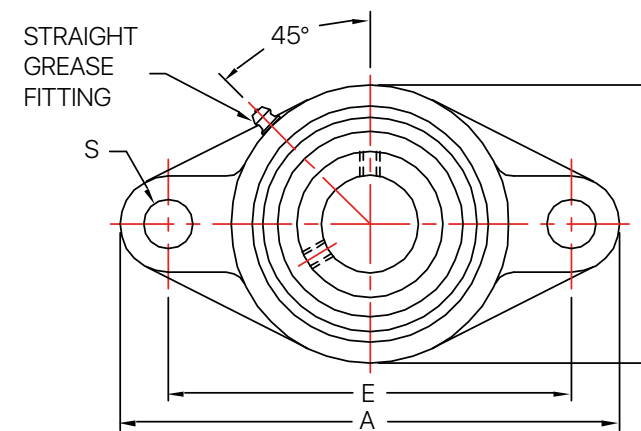
BEARINGS

BEARINGS

# UNITS

## 2-BOLT FLANGE- UCFL 200 TYPE NORMAL DUTY – SET SCREW

| Bearing no. | Shaft dia. |    | Dimensions (in) |         |       |       |         |       |         |         |        |        | Bolt used | Wgt lb |
|-------------|------------|----|-----------------|---------|-------|-------|---------|-------|---------|---------|--------|--------|-----------|--------|
|             | in         | mm | A               | E       | i     | G     | L       | S     | B       | Z       | BI     | N      |           |        |
| UCFL 201-08 | 1/2        | -- | 4 7/16          | 3 35/64 | 19/32 | 7/16  | 1       | 15/32 | 2 3/8   | 15/16   | 1.2205 | 0.5000 | 3/8       | 1.10   |
| UCFL 202-10 | 5/8        | -- |                 |         |       |       |         |       |         |         |        |        |           |        |
| UCFL 204-12 | 3/4        | -- |                 |         |       |       |         |       |         |         |        |        |           |        |
| UCFL 201    | --         | 12 |                 |         |       |       |         |       |         |         |        |        |           |        |
| UCFL 202    | --         | 15 | 5 1/8           | 3 57/64 | 5/8   | 1/2   | 11/16   | 5/8   | 2 11/16 | 1 13/32 | 1.3425 | 0.5630 | 1/2       | 1.54   |
| UCFL 203    | --         | 17 |                 |         |       |       |         |       |         |         |        |        |           |        |
| UCFL 204    | --         | 20 |                 |         |       |       |         |       |         |         |        |        |           |        |
| UCFL 205-14 | 7/8        | -- |                 |         |       |       |         |       |         |         |        |        |           |        |
| UCFL 205-15 | 15/16      | -- | 5 13/16         | 4 39/64 | 45/64 | 1/2   | 17/32   | 5/8   | 3 5/32  | 1 19/32 | 1.5000 | 0.6260 | 1/2       | 2.16   |
| UCFL 205-16 | 1          | -- |                 |         |       |       |         |       |         |         |        |        |           |        |
| UCFL 205    | --         | 25 |                 |         |       |       |         |       |         |         |        |        |           |        |
| UCFL 206-18 | 1 1/8      | -- |                 |         |       |       |         |       |         |         |        |        |           |        |
| UCFL 206-19 | 1 3/16     | -- | 6 11/32         | 5 1/8   | 3/4   | 35/64 | 1 13/32 | 5/8   | 3 35/64 | 1 3/4   | 1.6890 | 0.6890 | 1/2       | 2.98   |
| UCFL 206-20 | 1 1/4      | -- |                 |         |       |       |         |       |         |         |        |        |           |        |
| UCFL 206    | --         | 30 |                 |         |       |       |         |       |         |         |        |        |           |        |
| UCFL 207-20 | 1 1/4      | -- |                 |         |       |       |         |       |         |         |        |        |           |        |
| UCFL 207-22 | 1 3/8      | -- | 6 7/8           | 5 43/64 | 53/64 | 35/64 | 1 13/32 | 5/8   | 3 15/16 | 2 1/64  | 1.9370 | 0.7480 | 1/2       | 3.73   |
| UCFL 207    | --         | 35 |                 |         |       |       |         |       |         |         |        |        |           |        |
| UCFL 208-24 | 1 1/2      | -- |                 |         |       |       |         |       |         |         |        |        |           |        |
| UCFL 208    | --         | 40 |                 |         |       |       |         |       |         |         |        |        |           |        |
| UCFL 209-26 | 1 5/8      | -- | 7 13/32         | 5 53/64 | 55/64 | 19/32 | 1 1/2   | 3/4   | 4 1/4   | 2 1/16  | 1.9370 | 0.7480 | 5/8       | 4.50   |
| UCFL 209-28 | 1 3/4      | -- |                 |         |       |       |         |       |         |         |        |        |           |        |
| UCFL 209    | --         | 45 |                 |         |       |       |         |       |         |         |        |        |           |        |
| UCFL 210-30 | 1 7/8      | -- |                 |         |       |       |         |       |         |         |        |        |           |        |
| UCFL 210-31 | 1 15/16    | -- | 7 3/4           | 6 3/16  | 55/64 | 19/32 | 1 9/16  | 3/4   | 4 17/32 | 2 5/32  | 2.0315 | 0.7480 | 5/8       | 5.07   |
| UCFL 210    | --         | 50 |                 |         |       |       |         |       |         |         |        |        |           |        |
| UCFL 211-32 | 2          | -- |                 |         |       |       |         |       |         |         |        |        |           |        |
| UCFL 211    | --         | 55 |                 |         |       |       |         |       |         |         |        |        |           |        |
| UCFL 212-36 | 2 1/4      | -- | 9 27/32         | 7 61/64 | 19/64 | 23/32 | 1 7/8   | 29/32 | 5 1/2   | 2 23/32 | 2.5630 | 1.0000 | 3/4       | 9.48   |
| UCFL 212-39 | 2 7/16     | -- |                 |         |       |       |         |       |         |         |        |        |           |        |
| UCFL 212    | --         | 60 |                 |         |       |       |         |       |         |         |        |        |           |        |
| UCFL 213-40 | 2 1/2      | -- |                 |         |       |       |         |       |         |         |        |        |           |        |
| UCFL 213    | --         | 65 | 10 5/32         | 8 17/64 | 13/16 | 7/8   | 1 31/32 | 29/32 | 6 3/32  | 2 3/4   | 2.5630 | 1.0000 | 3/4       | 11.90  |
| UCFL 215-47 | 2 15/16    | -- |                 |         |       |       |         |       |         |         |        |        |           |        |
| UCFL 215-48 | 3          | -- |                 |         |       |       |         |       |         |         |        |        |           |        |
| UCFL 215    | --         | 75 |                 |         |       |       |         |       |         |         |        |        |           |        |



BEARINGS

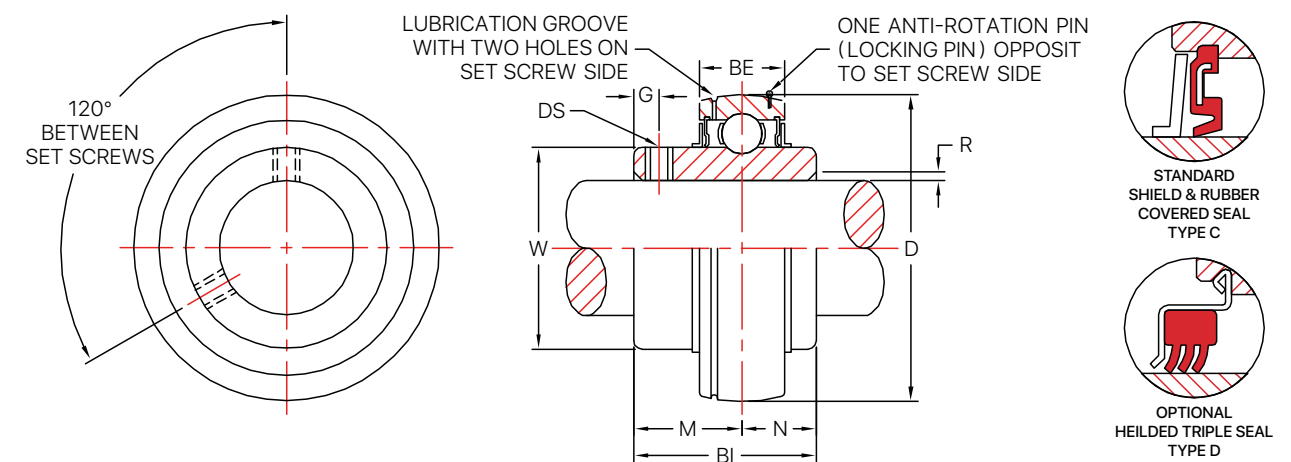
BEARINGS



# UNITS

## UC INSERT – SL, L3 TYPE SEAL

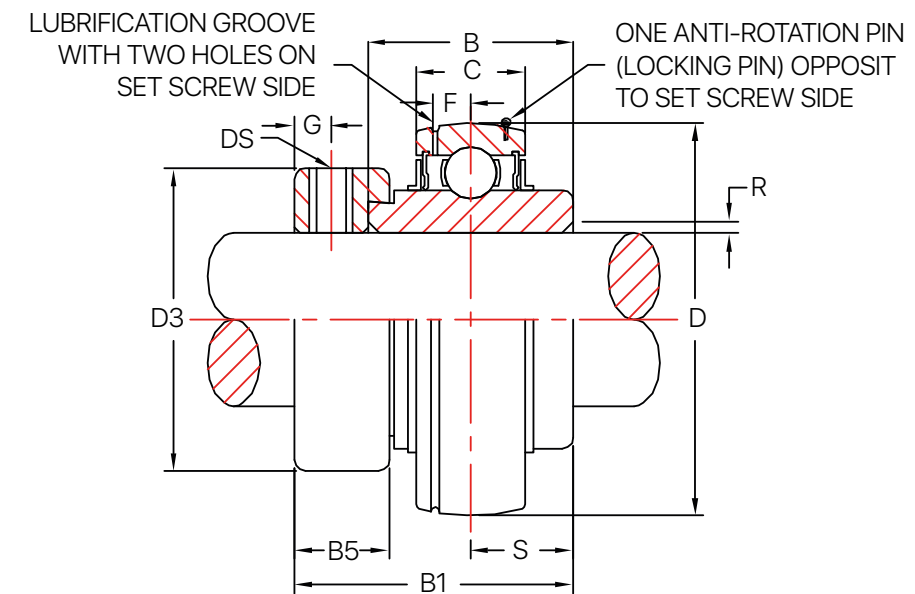
| Bearing no. | Shaft dia. |    | Dimensions (in) |        |        |        |        |        |         |        | Load rating (lb) |        | Wgt<br>lb |
|-------------|------------|----|-----------------|--------|--------|--------|--------|--------|---------|--------|------------------|--------|-----------|
|             | in         | mm | D               | BI     | BE     | N      | M      | G      | DS      | F      | Dynamic          | Static |           |
| UC 201-08   | 1/2        | -- |                 |        |        |        |        |        |         |        |                  |        | 0.44      |
| UC 202-10   | 5/8        | -- |                 |        |        |        |        |        |         |        |                  |        | 0.42      |
| UC 204-12   | 3/4        | -- |                 |        |        |        |        |        |         |        |                  |        | 0.35      |
| UC 201      | --         | 12 | 1.8504          | 1.2205 | 0.6693 | 0.5000 | 0.7205 | 0.1770 | 1/4-28  | 0.1460 | 2900             | 1500   | 0.46      |
| UC 202      | --         | 15 |                 |        |        |        |        |        |         |        |                  |        | 0.42      |
| UC 203      | --         | 17 |                 |        |        |        |        |        |         |        |                  |        | 0.40      |
| UC 204      | --         | 20 |                 |        |        |        |        |        |         |        |                  |        | 0.35      |
| UC 205-14   | 7/8        | -- |                 |        |        |        |        |        |         |        |                  |        | 0.49      |
| UC 205-15   | 15/16      | -- | 2.0472          | 1.3425 | 0.6693 | 0.5630 | 0.7756 | 0.1970 | 1/4-28  | 0.1540 | 3150             | 1800   | 0.44      |
| UC 205-16   | 1          | -- |                 |        |        |        |        |        |         |        |                  |        | 0.42      |
| UC 205      | --         | 25 |                 |        |        |        |        |        |         |        |                  |        | 0.42      |
| UC 206-18   | 1 1/8      | -- |                 |        |        |        |        |        |         |        |                  |        | 0.75      |
| UC 206-19   | 1 3/16     | -- | 2.4409          | 1.5000 | 0.7480 | 0.6260 | 0.8740 | 0.1970 | 1/4-28  | 0.1970 | 4400             | 2540   | 0.71      |
| UC 206-20   | 1 1/4      | -- |                 |        |        |        |        |        |         |        |                  |        | 0.66      |
| UC 206      | --         | 30 |                 |        |        |        |        |        |         |        |                  |        | 0.66      |
| UC 207-20   | 1 1/4      | -- |                 |        |        |        |        |        |         |        |                  |        | 1.15      |
| UC 207-22   | 1 3/8      | -- | 2.8346          | 1.6890 | 0.7870 | 0.6890 | 1.0000 | 0.2755 | 5/16-24 | 0.2240 | 5800             | 3450   | 1.06      |
| UC 207      | --         | 35 |                 |        |        |        |        |        |         |        |                  |        | 1.01      |
| UC 208-24   | 1 1/2      | -- | 3.1496          | 1.9370 | 0.8270 | 0.7480 | 1.1890 | 0.3150 | 5/16-24 | 0.2440 | 6630             | 4070   | 1.50      |
| UC 208      | --         | 40 |                 |        |        |        |        |        |         |        |                  |        | 1.39      |
| UC 209-26   | 1 5/8      | -- |                 |        |        |        |        |        |         |        |                  |        | 1.72      |
| UC 209-28   | 1 3/4      | -- | 3.3465          | 1.9370 | 0.8660 | 0.7480 | 1.1890 | 0.3150 | 5/16-24 | 0.2520 | 7100             | 4630   | 1.54      |
| UC 209      | --         | 45 |                 |        |        |        |        |        |         |        |                  |        | 1.50      |
| UC 210-30   | 1 7/8      | -- |                 |        |        |        |        |        |         |        |                  |        | 1.87      |
| UC 210-31   | 1 15/16    | -- | 3.5433          | 2.0315 | 0.9449 | 0.7480 | 1.2835 | 0.3940 | 3/8-24  | 0.2560 | 7870             | 5210   | 1.76      |
| UC 210-32   | 2          | -- |                 |        |        |        |        |        |         |        |                  |        | 1.78      |
| UC 210      | --         | 50 |                 |        |        |        |        |        |         |        |                  |        | 1.72      |
| UC 211-32   | 2          | -- | 3.9370          | 2.1890 | 0.9843 | 0.8740 | 1.3150 | 0.3940 | 3/8-24  | 0.2760 | 9800             | 6570   | 2.69      |
| UC 211      | --         | 55 |                 |        |        |        |        |        |         |        |                  |        | 2.36      |
| UC 212-36   | 2 1/4      | -- |                 |        |        |        |        |        |         |        |                  |        | 3.64      |
| UC 212-39   | 2 7/16     | -- | 4.3307          | 2.5630 | 1.0630 | 1.0000 | 1.5630 | 0.3940 | 3/8-24  | 0.2990 | 10720            | 7400   | 3.13      |
| UC 212      | --         | 60 |                 |        |        |        |        |        |         |        |                  |        | 3.33      |
| UC 213-40   | 2 1/2      | -- | 4.7244          | 2.5630 | 1.1024 | 1.0000 | 1.5630 | 0.3940 | 3/8-24  | 0.3350 | 13000            | 9000   | 4.15      |
| UC 213      | --         | 65 |                 |        |        |        |        |        |         |        |                  |        | 3.97      |
| UC 215-47   | 2 15/16    | -- |                 |        |        |        |        |        |         |        |                  |        | 5.17      |
| UC 215-48   | 3          | -- | 5.1181          | 3.0630 | 1.1811 | 1.3110 | 1.7520 | 0.4720 | 7/16-20 | 0.3620 | 14830            | 11130  | 4.93      |
| UC 215      | --         | 75 |                 |        |        |        |        |        |         |        |                  |        | 4.86      |



# UNITS

## HC INSERT – SL, L3 TYPE SEAL

| Bearing no. | Shaft dia. |    | Dimensions (in) |        |        |        |        |         |        |        |        |        | Load rating (lb) |        | Wgt lb |
|-------------|------------|----|-----------------|--------|--------|--------|--------|---------|--------|--------|--------|--------|------------------|--------|--------|
|             | in         | mm | D               | B1     | B      | C      | S      | DS      | G      | B5     | D3     | F      | Dynamic          | Static |        |
| HC 201-08   | 1/2        | -- |                 |        |        |        |        |         |        |        |        |        |                  |        |        |
| HC 202-10   | 5/8        | -- |                 |        |        |        |        |         |        |        |        |        |                  |        |        |
| HC 204-12   | 3/4        | -- |                 |        |        |        |        |         |        |        |        |        |                  |        |        |
| HC 201      | --         | 12 | 1.8504          | 1.7200 | 1.3465 | 0.6693 | 0.6730 | 1/4-28  | 0.1890 | 0.5310 | 1.3110 | 0.1460 | 2900             | 1500   | 0.55   |
| HC 202      | --         | 15 |                 |        |        |        |        |         |        |        |        |        |                  |        | 0.53   |
| HC 203      | --         | 17 |                 |        |        |        |        |         |        |        |        |        |                  |        | 0.52   |
| HC 204      | --         | 20 |                 |        |        |        |        |         |        |        |        |        |                  |        | 0.50   |
| HC 205-14   | 7/8        | -- |                 |        |        |        |        |         |        |        |        |        |                  |        | 0.59   |
| HC 205-15   | 15/16      | -- | 2.0472          | 1.7480 | 1.3740 | 0.6693 | 0.6890 | 1/4-28  | 0.1890 | 0.5310 | 1.5000 | 0.1540 | 3150             | 1800   | 0.55   |
| HC 205-16   | 1          | -- |                 |        |        |        |        |         |        |        |        |        |                  |        | 0.53   |
| HC 205      | --         | 25 |                 |        |        |        |        |         |        |        |        |        |                  |        | 0.59   |
| HC 206-18   | 1 1/8      | -- |                 |        |        |        |        |         |        |        |        |        |                  |        | 0.96   |
| HC 206-19   | 1 3/16     | -- | 2.4409          | 1.9060 | 1.4370 | 0.7480 | 0.7200 | 5/16-24 | 0.2360 | 0.6260 | 1.7520 | 0.1970 | 4400             | 2540   | 0.93   |
| HC 206-20   | 1 1/4      | -- |                 |        |        |        |        |         |        |        |        |        |                  |        | 0.92   |
| HC 206      | --         | 30 |                 |        |        |        |        |         |        |        |        |        |                  |        | 0.92   |
| HC 207-20   | 1 1/4      | -- |                 |        |        |        |        |         |        |        |        |        |                  |        | 1.47   |
| HC 207-22   | 1 3/8      | -- | 2.8346          | 2.0120 | 1.4803 | 0.7874 | 0.7400 | 5/16-24 | 0.2680 | 0.6890 | 2.1890 | 0.2240 | 5800             | 2450   | 1.32   |
| HC 207      | --         | 35 |                 |        |        |        |        |         |        |        |        |        |                  |        | 1.32   |
| HC 208-24   | 1 1/2      | -- | 3.1496          | 2.2170 | 1.6850 | 0.8270 | 0.8430 | 5/16-24 | 0.2680 | 0.7200 | 2.3740 | 0.2440 | 6630             | 4070   | 1.85   |
| HC 208      | --         | 40 |                 |        |        |        |        |         |        |        |        |        |                  |        | 1.74   |
| HC 209-26   | 1 5/8      | -- |                 |        |        |        |        |         |        |        |        |        |                  |        | 2.05   |
| HC 209-28   | 1 3/4      | -- | 3.3465          | 2.2170 | 1.6850 | 0.8661 | 0.8430 | 5/16-24 | 0.2680 | 0.7200 | 2.5000 | 0.2520 | 7100             | 4630   | 1.91   |
| HC 209      | --         | 45 |                 |        |        |        |        |         |        |        |        |        |                  |        | 1.87   |
| HC 210-30   | 1 7/8      | -- |                 |        |        |        |        |         |        |        |        |        |                  |        | 2.38   |
| HC 210-31   | 1 15/16    | -- | 3.5433          | 2.4690 | 1.9370 | 0.9449 | 0.9690 | 5/16-24 | 0.2680 | 0.7200 | 2.7520 | 0.2560 | 7870             | 5210   | 2.24   |
| HC 210-32   | 2          | -- |                 |        |        |        |        |         |        |        |        |        |                  |        | 2.11   |
| HC 210      | --         | 50 |                 |        |        |        |        |         |        |        |        |        |                  |        | 2.19   |
| HC 211-32   | 2          | -- | 3.9370          | 2.8110 | 2.1850 | 0.9843 | 1.0940 | 3/8-24  | 0.3150 | 0.8150 | 3.0000 | 0.2760 | 9800             | 6570   | 3.34   |
| HC 211      | --         | 55 |                 |        |        |        |        |         |        |        |        |        |                  |        | 2.90   |
| HC 212-36   | 2 1/4      | -- |                 |        |        |        |        |         |        |        |        |        |                  |        | 4.49   |
| HC 212-39   | 2 7/16     | -- | 4.3307          | 3.0630 | 2.4370 | 1.0630 | 1.2200 | 3/8-24  | 0.3150 | 0.8780 | 3.3150 | 0.2990 | 10720            | 7400   | 3.89   |
| HC 212      | --         | 60 |                 |        |        |        |        |         |        |        |        |        |                  |        | 4.13   |
| HC 213-40   | 2 1/2      | -- | 4.7244          | 3.3740 | 2.7008 | 1.1024 | 1.3430 | 3/8-24  | 0.3350 | 0.9250 | 3.3860 | 0.3350 | 13000            | 9000   | 5.52   |
| HC 213      | --         | 65 |                 |        |        |        |        |         |        |        |        |        |                  |        | 5.30   |
| HC 215-47   | 2 15/16    | -- |                 |        |        |        |        |         |        |        |        |        |                  |        | 6.36   |
| HC 215-48   | 3          | -- | 5.1181          | 3.6260 | 2.9528 | 1.1811 | 1.4690 | 3/8-24  | 0.3350 | 0.9250 | 4.0160 | 0.3620 | 14830            | 11130  | 6.03   |
| HC 215      | --         | 75 |                 |        |        |        |        |         |        |        |        |        |                  |        | 6.25   |



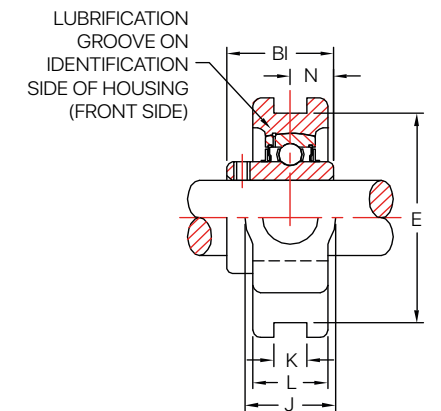
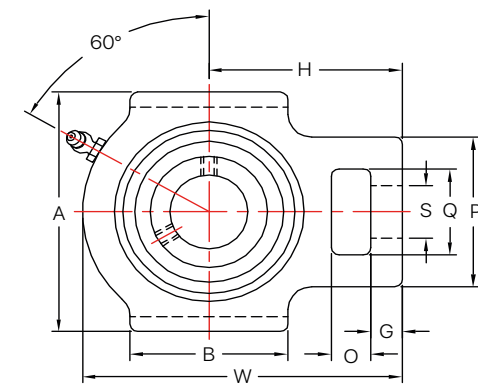
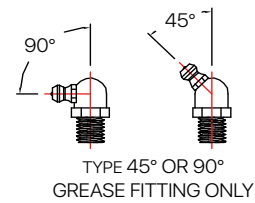
# UNITS

## TAKE UP – UCST 200 TYPE NORMAL DUTY – SET SCREW

| Bearing no. | Shaft dia.<br>in | Dimensions (in) |       |         |        |        |         |
|-------------|------------------|-----------------|-------|---------|--------|--------|---------|
|             |                  | O               | G     | P       | Q      | S      | B       |
| UCST 204-12 | 3/4              | 5/8             | 25/64 | 11/64   | 11/4   | 3/4    | 2 1/64  |
| UCST 205-14 | 7/8              |                 |       |         |        |        |         |
| UCST 205-15 | 15/16            | 5/8             | 25/64 | 11/64   | 11/4   | 55/64  | 2 1/64  |
| UCST 205-16 | 1                |                 |       |         |        |        |         |
| UCST 206-17 | 11/16            |                 |       |         |        |        |         |
| UCST 206-18 | 11/8             | 5/8             | 25/64 | 2 7/32  | 115/32 | 55/64  | 2 1/4   |
| UCST 206-19 | 13/16            |                 |       |         |        |        |         |
| UCST 206-20 | 11/4             |                 |       |         |        |        |         |
| UCST 207-20 | 11/4             |                 |       |         |        |        |         |
| UCST 207-21 | 15/16            | 5/8             | 33/64 | 2 33/64 | 129/64 | 55/64  | 2 33/64 |
| UCST 207-22 | 13/8             |                 |       |         |        |        |         |
| UCST 207-23 | 17/16            |                 |       |         |        |        |         |
| UCST 208-24 | 11/2             | 3/4             | 5/8   | 3 17/64 | 115/16 | 19/64  | 3 17/64 |
| UCST 208-25 | 19/16            |                 |       |         |        |        |         |
| UCST 209-26 | 15/8             | 3/4             | 5/8   | 3 17/64 | 115/16 | 19/64  | 3 17/64 |
| UCST 209-27 | 111/16           |                 |       |         |        |        |         |
| UCST 209-28 | 13/4             |                 |       |         |        |        |         |
| UCST 210-30 | 17/8             |                 |       |         |        |        |         |
| UCST 210-31 | 115/16           | 3/4             | 5/8   | 3 17/64 | 115/16 | 19/64  | 3 17/64 |
| UCST 210-32 | 2                |                 |       |         |        |        |         |
| UCST 211-32 | 2                | 63/64           | 3/4   | 4 1/64  | 2 1/32 | 13/8   | 3 3/4   |
| UCST 211-34 | 2 1/8            |                 |       |         |        |        |         |
| UCST 211-35 | 2 3/16           |                 |       |         |        |        |         |
| UCST 212-36 | 2 1/4            | 117/64          | 3/4   | 4 1/64  | 2 1/32 | 13/8   | 4 1/64  |
| UCST 212-38 | 2 3/8            |                 |       |         |        |        |         |
| UCST 212-39 | 2 7/16           |                 |       |         |        |        |         |
| UCST 213-40 | 2 1/2            |                 |       |         |        |        |         |
|             |                  | 117/64          | 53/64 | 4 3/8   | 2 3/4  | 139/64 | 4 49/64 |



| Dimensions (in) |         |         |         |         |        |         |        |       | Bearing no. | Housing no. | Weight<br>kg |
|-----------------|---------|---------|---------|---------|--------|---------|--------|-------|-------------|-------------|--------------|
| K               | E       | A       | W       | J       | L      | H       | BI     | N     |             |             |              |
| 17/32           | 2 63/64 | 3 1/2   | 3 11/16 | 11/4    | 15/16  | 2 13/32 | 1.2205 | 0.500 | UC204-12    | ST204       | 0.83         |
|                 |         |         |         |         |        |         |        |       | UC205-14    | ST205       | 0.84         |
| 17/32           | 2 63/64 | 3 1/2   | 3 13/16 | 11/4    | 15/16  | 2 7/16  | 1.3425 | 0.563 | UC205-15    | ST205       | 0.82         |
|                 |         |         |         |         |        |         |        |       | UC205-16    | ST205       | 0.81         |
|                 |         |         |         |         |        |         |        |       | UC206-17    | ST206       | 1.10         |
| 17/32           | 3 1/2   | 4 1/64  | 4 29/64 | 129/64  | 15/16  | 2 3/4   | 1.5000 | 0.626 | UC206-18    | ST206       | 0.97         |
|                 |         |         |         |         |        |         |        |       | UC206-19    | ST206       | 1.09         |
|                 |         |         |         |         |        |         |        |       | UC206-20    | ST206       | 1.08         |
|                 |         |         |         |         |        |         |        |       | UC207-20    | ST207       | 1.50         |
| 17/32           | 3 1/2   | 4 1/64  | 5 5/64  | 129/64  | 13/16  | 3 5/64  | 1.6890 | 0.689 | UC207-21    | ST207       | 1.46         |
|                 |         |         |         |         |        |         |        |       | UC207-22    | ST207       | 1.44         |
|                 |         |         |         |         |        |         |        |       | UC207-23    | ST207       | 1.41         |
| 11/16           | 4 1/64  | 4 31/64 | 5 43/64 | 115/16  | 119/64 | 3 1/2   | 1.9370 | 0.748 | UC208-24    | ST208       | 2.44         |
|                 |         |         |         |         |        |         |        |       | UC208-25    | ST208       | 2.41         |
|                 |         |         |         |         |        |         |        |       | UC209-26    | ST209       | 2.46         |
| 11/16           | 4 1/64  | 4 39/64 | 5 43/64 | 115/16  | 13/8   | 3 27/64 | 1.9370 | 0.748 | UC209-27    | ST209       | 2.42         |
|                 |         |         |         |         |        |         |        |       | UC209-28    | ST209       | 2.38         |
|                 |         |         |         |         |        |         |        |       | UC210-30    | ST210       | 2.40         |
| 11/16           | 4 1/64  | 4 39/64 | 5 55/64 | 115/16  | 13/8   | 3 35/64 | 2.0315 | 0.748 | UC210-31    | ST210       | 2.35         |
|                 |         |         |         |         |        |         |        |       | UC210-32    | ST210       | 2.31         |
|                 |         |         |         |         |        |         |        |       | UC211-32    | ST211       | 4.42         |
| 11/16           | 5 1/8   | 5 3/4   | 6 47/64 | 2 33/64 | 15/8   | 4 11/64 | 2.1890 | 0.874 | UC211-34    | ST211       | 4.31         |
|                 |         |         |         |         |        |         |        |       | UC211-35    | ST211       | 4.25         |
|                 |         |         |         |         |        |         |        |       | UC212-36    | ST212       | 5.35         |
| 11/16           | 5 1/8   | 5 3/4   | 7 41/64 | 2 33/64 | 113/16 | 4 11/16 | 2.5830 | 1.000 | UC212-38    | ST212       | 5.2          |
|                 |         |         |         |         |        |         |        |       | UC212-39    | ST212       | 5.13         |
| 11/16           | 5 15/16 | 6 37/64 | 8 13/16 | 2 3/4   | 2      | 5 25/64 | 2.5630 | 1.000 | UC213-40    | ST213       | 7.52         |



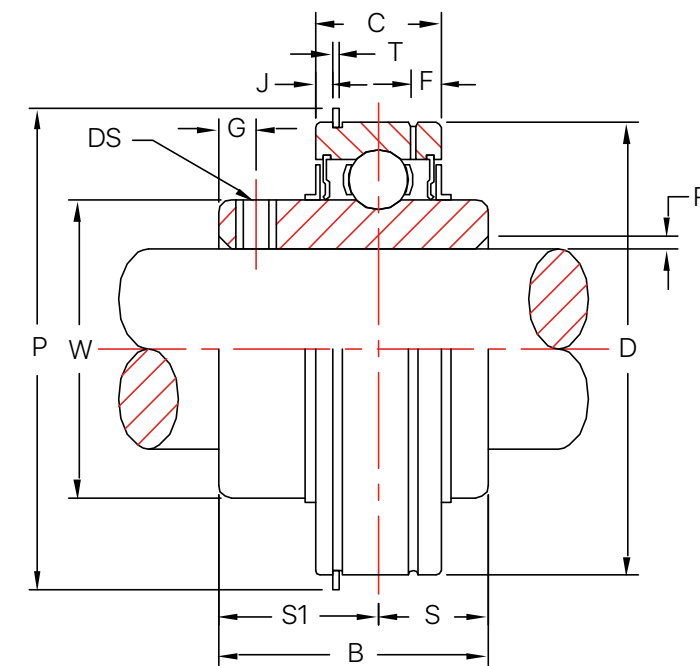


# UNITS

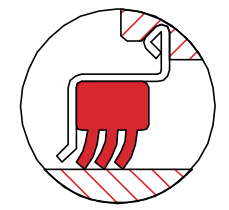
## SER INSERT – SL, L3 TYPE SEAL

| Bearing no. | Shaft dia. | Dimensions (in) |        |        |        |        |        |
|-------------|------------|-----------------|--------|--------|--------|--------|--------|
|             | in         | D               | B      | C      | S      | S1     | T      |
| SER 204-12  | 3/4        | 1.8504          | 1.2205 | 0.6260 | 0.4060 | 0.8150 | 0.0440 |
| SER 205-14  | 7/8        | 2.0472          | 1.3740 | 0.7480 | 0.5160 | 0.8580 | 0.0440 |
| SER 205-15  | 15/16      |                 |        |        |        |        |        |
| SER 205-16  | 1          | 2.4409          | 1.5000 | 0.8740 | 0.6260 | 0.8740 | 0.0670 |
| SER 206-18  | 11/8       |                 |        |        |        |        |        |
| SER 206-19  | 13/16      |                 |        |        |        |        |        |
| SER 206-20  | 11/4       |                 |        |        |        |        |        |
| SER 207-20  | 11/4       | 2.8346          | 1.6890 | 0.9370 | 0.6890 | 1.0000 | 0.0670 |
| SER 207-22  | 13/8       |                 |        |        |        |        |        |
| SER 208-24  | 11/2       | 3.1496          | 1.9370 | 1.0945 | 0.7480 | 1.1890 | 0.0670 |
| SER 209-26  | 15/8       | 3.3465          | 1.9370 | 1.0945 | 0.7480 | 1.1890 | 0.0670 |
| SER 209-28  | 13/4       |                 |        |        |        |        |        |
| SER 210-30  | 17/8       | 3.5433          | 2.0315 | 1.1260 | 0.7480 | 1.2830 | 0.0970 |
| SER 210-31  | 1 15/16    |                 |        |        |        |        |        |
| SER 210-32  | 2          |                 |        |        |        |        |        |
| SER 211-32  | 2          | 3.9370          | 2.1890 | 1.1890 | 0.8740 | 1.3150 | 0.0970 |
| SER 212-39  | 2 7/16     | 4.3307          | 2.5630 | 1.2520 | 1.0000 | 1.5630 | 0.0970 |
| SER 215-47  | 2 15/16    | 5.1181          | 3.0630 | 1.5000 | 1.3110 | 1.7520 | 0.1220 |

| Dimensions (in) |        |        |        |         | Load rating (lb) |        | Weight |
|-----------------|--------|--------|--------|---------|------------------|--------|--------|
| F               | J      | P      | G      | DS      | Dynamic          | Static | lb     |
| 0.1500          | 0.0970 | 2.0500 | 0.1890 | 1/4-28  | 2880             | 1500   | 0.26   |
| 0.2050          | 0.0970 | 2.2800 | 0.1970 | 1/4-28  | 3150             | 1760   | 0.39   |
|                 |        |        |        |         |                  |        | 0.37   |
| 0.2200          | 0.1290 | 2.6650 | 0.1970 | 1/4-28  | 4400             | 2540   | 0.35   |
|                 |        |        |        |         |                  |        | 0.75   |
| 0.2200          | 0.1290 | 3.0940 | 0.2640 | 5/16-24 | 5800             | 3450   | 0.71   |
|                 |        |        |        |         |                  |        | 0.66   |
| 0.2520          | 0.1290 | 3.4090 | 0.3150 | 5/16-24 | 6630             | 4070   | 1.15   |
|                 |        |        |        |         |                  |        | 1.06   |
| 0.2520          | 0.1290 | 3.6060 | 0.3150 | 5/16-24 | 7100             | 4630   | 1.50   |
|                 |        |        |        |         |                  |        | 1.72   |
| 0.2950          | 0.1290 | 3.7990 | 0.3940 | 3/8-24  | 7870             | 5210   | 1.54   |
|                 |        |        |        |         |                  |        | 1.87   |
| 0.2950          | 0.1290 | 4.1930 | 0.3940 | 3/8-24  | 9800             | 6570   | 1.76   |
|                 |        |        |        |         |                  |        | 1.78   |
| 0.2950          | 0.1290 | 4.5910 | 0.3940 | 3/8-24  | 10720            | 7400   | 2.42   |
|                 |        |        |        |         |                  |        | 3.16   |
| 0.4063          | 0.1640 | 5.5000 | 0.4720 | 7/16-20 | 14830            | 11130  | 5.17   |



STANDARD SHIELD & RUBBER COVERED SEAL TYPE C



OPTIONAL HELIIDDEN TRIPLE SEAL TYPE D

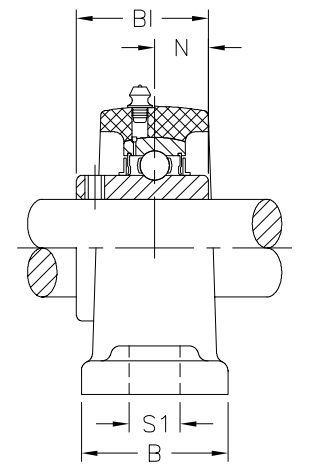
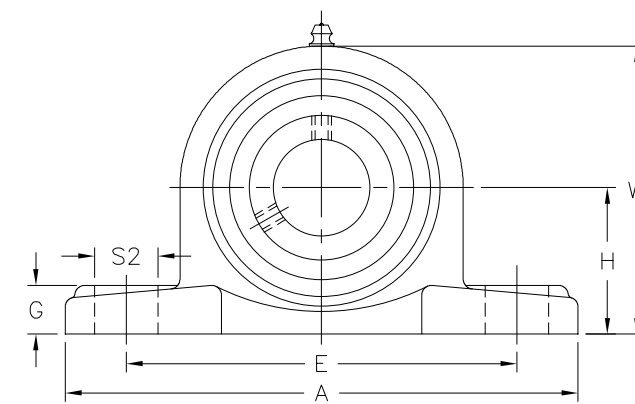
# UNITS

## MOUNTED UNITS – THERMOPLASTIC – HOUSED PILLOW BLOCK

| Unit no.  | Shaft dia. |    | Dimensions (in & mm) |         |         |         |       |       |
|-----------|------------|----|----------------------|---------|---------|---------|-------|-------|
|           | in         | mm | H                    | A       | E       | B       | G     | S1    |
| MUCPPL204 | 3/4        | 20 | 15/16                | 5       | 3 3/4   | 1 1/2   | 9/16  | 7/16  |
|           |            |    | 33.3                 | 127     | 95      | 38      | 14.2  | 11    |
| MUCPPL205 | 13/16      | 25 | 17/16                | 5 1/2   | 4 1/8   | 1 1/2   | 19/32 | 7/16  |
|           | 7/8        |    |                      |         |         |         |       |       |
|           | 15/16      |    | 36.5                 | 140.5   | 105     | 38      | 14.5  | 11    |
|           | 1          |    |                      |         |         |         |       |       |
| MUCPPL206 | 11/16      | 30 | 1 11/16              | 6 27/64 | 4 11/16 | 1 13/16 | 45/64 | 9/16  |
|           | 11/8       |    |                      |         |         |         |       |       |
|           | 13/16      |    | 42.9                 | 163     | 119     | 46      | 17.8  | 14    |
|           | 1 1/4      |    |                      |         |         |         |       |       |
| MUCPPL207 | 1 1/4      | 35 | 1 7/8                | 6 39/64 | 5       | 1 7/8   | 45/64 | 9/16  |
|           | 15/16      |    |                      |         |         |         |       |       |
|           | 13/8       |    | 47.6                 | 168     | 127     | 48      | 18    | 14    |
|           | 1 7/16     |    |                      |         |         |         |       |       |
| MUCPPL208 | 1 1/2      | 40 | 1 15/16              | 7 1/4   | 5 13/32 | 2 1/8   | 49/64 | 9/16  |
|           | 19/16      |    | 49.2                 | 184     | 137     | 54      | 19.5  | 14    |
| MUCPPL209 | 1 5/8      | 45 | 2 1/8                | 7 9/16  | 5 3/4   | 2 1/8   | 29/32 | 43/64 |
|           | 1 3/4      |    |                      |         |         |         |       |       |
|           | 1 11/16    |    | 2 1/4                | 8 1/8   | 6 1/4   | 2 3/8   | 29/32 | 43/64 |
| MUCPPL210 | 1 13/16    | 50 | 2 1/4                | 8 1/8   | 6 1/4   | 2 3/8   | 29/32 | 43/64 |
|           | 1 7/8      |    |                      |         |         |         |       |       |
|           | 1 15/16    |    | 57.2                 | 206     | 159     | 60      | 23    | 17    |
| MUCPPL211 | 2          | 55 | 2 1/2                | 8 5/8   | 6 47/64 | 2 3/8   | 29/32 | 25/32 |
|           | 2 1/16     |    |                      |         |         |         |       |       |
|           | 2 1/8      |    | 63.5                 | 219     | 171     | 60      | 23    | 20    |
|           | 2 3/16     |    |                      |         |         |         |       |       |
| MUCPPL212 | 2 1/4      | 60 | 2 3/4                | 9 1/2   | 7 1/4   | 2 3/4   | 63/64 | 25/32 |
|           | 2 5/16     |    |                      |         |         |         |       |       |
|           | 2 3/8      |    | 69.8                 | 241     | 184     | 70      | 25    | 20    |
|           | 2 7/16     |    |                      |         |         |         |       |       |



| Dimensions (in & mm) |         |        |        | Weight<br>kg | Max. torque |    | Housing no. | Bearing no. |
|----------------------|---------|--------|--------|--------------|-------------|----|-------------|-------------|
| S2                   | W       | BI     | N      |              | Bolt D      | Nm |             |             |
| 9/16                 | 2 9/16  | 1.2205 | 0.5000 | 0.29         | 3/8         | 18 | PPL204      | MUC204      |
| 14                   | 65.5    | 31.0   | 12.7   |              | M10         |    |             |             |
| 9/16                 | 2 25/32 | 1.3425 | 0.5630 | 0.34         | 3/8         | 25 | PPL205      | MUC205      |
| 14                   | 71      | 34.0   | 14.3   |              | M10         |    |             |             |
| 45/64                | 3 5/16  | 1.5000 | 0.6260 | 0.54         | 3/8         | 30 | PPL206      | MUC206      |
| 18                   | 84      | 38.1   | 15.9   |              | M10         |    |             |             |
| 45/64                | 3 23/32 | 1.6890 | 0.6890 | 0.78         | 7/16        | 35 | PPL207      | MUC207      |
| 18                   | 94.5    | 42.9   | 17.5   |              | M12         |    |             |             |
| 45/64                | 3 57/64 | 1.9370 | 0.7480 | 0.97         | 7/16        | 45 | PPL208      | MUC208      |
| 18                   | 99      | 49.2   | 19.0   |              | M12         |    |             |             |
| 25/32                | 4 11/64 | 1.9370 | 0.7480 | 1.09         | 5/8         | 50 | PPL209      | MUC209      |
| 20                   | 106     | 49.2   | 19.0   |              | M16         |    |             |             |
| 25/32                | 4 31/64 | 2.0315 | 0.7480 | 1.20         | 5/8         | 55 | PPL210      | MUC210      |
| 20                   | 114     | 51.6   | 19.0   |              | M16         |    |             |             |
| 29/32                | 4 59/64 | 2.1890 | 0.8740 | 1.38         | 5/8         | 60 | PPL211      | MUC211      |
| 23                   | 125     | 55.6   | 22.2   |              | M16         |    |             |             |
| 29/32                | 5 7/16  | 2.5630 | 1.0000 | 1.52         | 5/8         | 65 | PPL212      | MUC212      |
| 23                   | 138     | 65.1   | 25.4   |              | M16         |    |             |             |



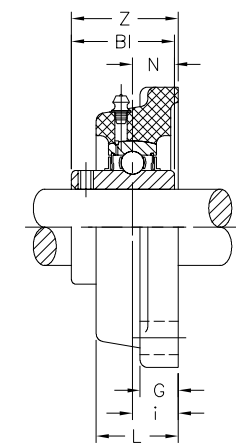
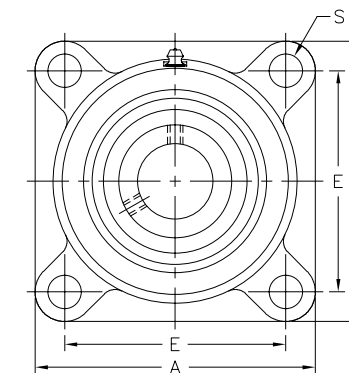
# UNITS

## MOUNTED UNITS – THERMOPLASTIC – HOUSED FLANGE UNITS (SQUARE)

| Unit no.  | Shaft dia. |     | Dimensions (in & mm) |         |         |         |       |         |
|-----------|------------|-----|----------------------|---------|---------|---------|-------|---------|
|           | in         | mm  | A                    | E       | G       | L       | S     | Z       |
| MUCFPL204 | 3/4        | 20  | 3 3/8                | 2 33/64 | 2 33/64 | 1 3/32  | 7/16  | 1 7/16  |
|           |            |     | 86                   | 63.5    | 13.4    | 27.8    | 11    | 36.3    |
| MUCFPL205 | 13/16      | 25  | 3 3/4                | 2 3/4   | 9/16    | 1 3/32  | 7/16  | 1 7/16  |
|           | 7/8        |     |                      |         |         |         |       |         |
|           | 15/16      |     | 95                   | 70      | 14.3    | 28      | 11    | 36.7    |
|           | 1          |     |                      |         |         |         |       |         |
| MUCFPL206 | 11/16      | 30  | 4 7/32               | 3 17/64 | 9/16    | 1 15/64 | 7/16  | 1 5/8   |
|           | 11/8       |     |                      |         |         |         |       |         |
|           | 13/16      |     | 107                  | 83      | 14.3    | 31.5    | 11    | 41.4    |
|           | 1 1/4      |     |                      |         |         |         |       |         |
| MUCFPL207 | 1 1/4      | 35  | 4 21/32              | 3 5/8   | 3 5/8   | 1 3/8   | 33/64 | 1 27/32 |
|           | 15/16      |     |                      |         |         |         |       |         |
|           | 1 3/8      |     | 118                  | 92      | 15.5    | 34.8    | 13    | 46.9    |
|           | 1 7/16     |     |                      |         |         |         |       |         |
| MUCFPL208 | 1 1/2      | 40  | 5 1/8                | 4 1/64  | 4 1/64  | 1 15/32 | 35/64 | 2 3/32  |
|           | 1 9/16     |     | 130                  | 102     | 17      | 37.5    | 14    | 53.2    |
|           | 1 5/8      |     | 5 13/32              | 4 9/64  | 4 9/64  | 1 39/64 | 43/64 | 2 9/64  |
| 1 11/16   | 137        | 105 |                      |         |         |         |       |         |
| MUCFPL210 | 1 13/16    | 50  | 5 5/8                | 4 3/8   | 4 3/8   | 1 11/16 | 43/64 | 2 17/64 |
|           | 1 7/8      |     |                      |         |         |         |       |         |
|           | 1 15/16    |     | 143                  | 111     | 21      | 43      | 17    | 57.6    |
|           | 2          |     |                      |         |         |         |       |         |
| MUCFPL211 | 2          | 55  | 6 3/8                | 5 1/8   | 5 1/8   | 1 11/16 | 3/4   | 2 18/64 |
|           | 2 1/16     |     |                      |         |         |         |       |         |
|           | 2 1/8      |     | 162                  | 130     | 20      | 43      | 19    | 58.4    |
|           | 2 3/16     |     |                      |         |         |         |       |         |
| MUCFPL212 | 2 1/4      | 60  | 6 57/64              | 5 5/8   | 5 5/8   | 1 57/64 | 3/4   | 2 45/64 |
|           | 2 5/16     |     |                      |         |         |         |       |         |
|           | 2 3/8      |     | 175                  | 143     | 20      | 48      | 19    | 68.7    |
|           | 2 7/16     |     |                      |         |         |         |       |         |



| Dimensions (in & mm) |        |        | Weight<br>kg | Max. torque |    | Housing no. | Bearing no. |
|----------------------|--------|--------|--------------|-------------|----|-------------|-------------|
| i                    | BI     | N      |              | Bolt D      | Nm |             |             |
| 45/64                | 1.2205 | 0.5000 | 0.29         | 3/8         | 18 | FPL204      | MUC204      |
| 18                   | 31.0   | 12.7   |              | M10         |    |             |             |
| 43/64                | 1.3425 | 0.5630 | 0.36         | 3/8         | 25 | FPL205      | MUC205      |
| 17                   | 34.1   | 14.3   |              | M10         |    |             |             |
| 3/4                  | 1.5000 | 0.6260 | 0.50         | 3/8         | 30 | FPL206      | MUC206      |
| 19.2                 | 38.1   | 15.9   |              | M10         |    |             |             |
| 27/32                | 1.6890 | 0.6890 | 0.74         | 7/16        | 35 | FPL207      | MUC207      |
| 21.5                 | 42.9   | 17.5   |              | M12         |    |             |             |
| 39/32                | 1.9370 | 0.7480 | 0.97         | 7/16        | 40 | FPL208      | MUC208      |
| 23                   | 49.2   | 19.0   |              | M12         |    |             |             |
| 15/16                | 1.9370 | 0.7480 | 1.10         | 5/8         | 45 | FPL209      | MUC209      |
| 24                   | 49.2   | 19.0   |              | M16         |    |             |             |
| 63/64                | 2.0315 | 0.7480 | 1.25         | 5/8         | 50 | FPL210      | MUC210      |
| 25                   | 51.6   | 19.0   |              | M16         |    |             |             |
| 63/64                | 2.1890 | 0.8740 | 1.40         | 5/8         | 55 | FPL211      | MUC211      |
| 25                   | 55.6   | 22.2   |              | M16         |    |             |             |
| 19/64                | 2.5630 | 1.0000 | 1.60         | 5/8         | 60 | FPL212      | MUC212      |
| 29                   | 65.1   | 25.4   |              | M16         |    |             |             |





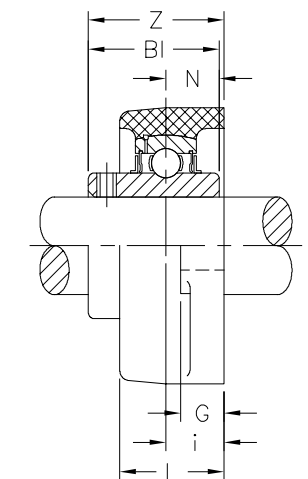
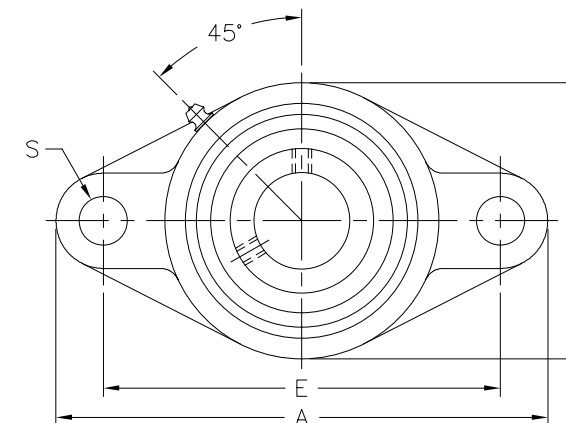
# UNITS

## MOUNTED UNITS – THERMOPLASTIC – HOUSED FLANGE BLOCK

| Unit no.   | Shaft dia. |    | Dimensions (in & mm) |         |         |       |         |       |
|------------|------------|----|----------------------|---------|---------|-------|---------|-------|
|            | in         | mm | A                    | E       | B       | G     | L       | S     |
| MUCFLPL204 | 3/4        | 20 | 5 1/8                | 3 35/64 | 2 3/4   | 29/64 | 1 3/64  | 7/16  |
|            |            |    | 130                  | 90      | 70      | 11.4  | 26.5    | 11    |
| MUCFLPL205 | 13/16      | 25 | 5 5/32               | 3 57/64 | 2 47/64 | 17/32 | 1 9/64  | 7/16  |
|            | 7/8        |    |                      |         |         |       |         |       |
|            | 15/16      |    | 131                  | 99      | 69.5    | 13.5  | 29.1    | 11    |
|            | 1          |    |                      |         |         |       |         |       |
| MUCFLPL206 | 11/16      | 30 | 5 53/64              | 4 39/64 | 3 5/32  | 17/32 | 1 13/64 | 7/16  |
|            | 11/8       |    |                      |         |         |       |         |       |
|            | 13/16      |    | 148                  | 117     | 80      | 13.3  | 30.5    | 11    |
|            | 1 1/4      |    |                      |         |         |       |         |       |
| MUCFLPL207 | 1 1/4      | 35 | 6 29/64              | 5 1/8   | 3 35/64 | 41/64 | 1 19/64 | 33/64 |
|            | 15/16      |    |                      |         |         |       |         |       |
|            | 13/8       |    | 164                  | 130     | 90      | 16.1  | 32.8    | 13    |
|            | 17/16      |    |                      |         |         |       |         |       |
| MUCFLPL208 | 1 1/2      | 40 | 6 59/64              | 5 43/64 | 3 15/16 | 25/32 | 1 15/32 | 35/64 |
|            | 19/16      |    | 176                  | 144     | 100     | 20    | 37.5    | 14    |
| MUCFLPL209 | 1 5/8      | 45 | 7 27/64              | 5 27/32 | 4 15/64 | 53/64 | 1 39/64 | 43/64 |
|            | 1 11/16    |    | 188.5                | 148.5   | 108     | 21    | 41      | 17    |
|            | 1 3/4      |    |                      |         |         |       |         |       |
| MUCFLPL210 | 1 13/16    | 50 | 7 3/4                | 6 3/16  | 4 17/32 | 53/64 | 1 11/16 | 43/64 |
|            | 1 7/8      |    |                      |         |         |       |         |       |
|            | 1 15/16    |    | 197                  | 157     | 115     | 21    | 43      | 17    |
|            | 2          |    |                      |         |         |       |         |       |
| MUCFLPL211 | 2          | 55 | 8 13/16              | 7 1/4   | 5 1/8   | 45/64 | 1 11/16 | 3/4   |
|            | 2 1/16     |    |                      |         |         |       |         |       |
|            | 2 1/8      |    | 224                  | 184     | 130     | 18    | 43      | 19    |
|            | 2 3/16     |    |                      |         |         |       |         |       |
| MUCFLPL212 | 2 1/4      | 60 | 9 27/32              | 7 61/64 | 5 33/64 | 15/64 | 57/64   | 29/32 |
|            | 2 5/16     |    |                      |         |         |       |         |       |
|            | 2 3/8      |    | 250                  | 202     | 140     | 18    | 48      | 23    |
|            | 2 7/16     |    |                      |         |         |       |         |       |



| Dimensions (in & mm) |       |        |        | Weight<br>kg | Max. torque |    | Housing no. | Bearing no. |
|----------------------|-------|--------|--------|--------------|-------------|----|-------------|-------------|
| Z                    | i     | BI     | N      |              | Bolt D      | Nm |             |             |
| 1 21/64              | 39/64 | 1.2205 | 0.5000 | 0.24         | 3/8         | 18 | FLPL204     | MUC204      |
| 33.7                 | 15.4  | 31.0   | 12.7   |              | M10         |    |             |             |
| 1 7/16               | 43/64 | 1.3425 | 0.5630 | 0.30         | 3/8         | 25 | FLPL205     | MUC205      |
| 36.7                 | 17    | 34.1   | 14.3   |              | M10         |    |             |             |
| 1 5/8                | 3/4   | 1.5000 | 0.6260 | 0.45         | 3/8         | 30 | FLPL206     | MUC206      |
| 41.2                 | 19    | 38.1   | 15.9   |              | M10         |    |             |             |
| 1 45/64              | 45/64 | 1.6890 | 0.6890 | 0.66         | 7/16        | 35 | FLPL207     | MUC207      |
| 43.4                 | 18    | 42.9   | 17.5   |              | M12         |    |             |             |
| 2 1/32               | 27/32 | 1.9370 | 0.7480 | 0.87         | 7/16        | 40 | FLPL208     | MUC208      |
| 51.7                 | 21.5  | 49.2   | 19.0   |              | M12         |    |             |             |
| 2 9/64               | 15/16 | 1.9370 | 0.7480 | 1.00         | 5/8         | 45 | FLPL209     | MUC209      |
| 54.2                 | 24    | 49.2   | 19.0   |              | M16         |    |             |             |
| 2 17/64              | 63/64 | 2.0315 | 0.7480 | 1.20         | 5/8         | 50 | FLPL210     | MUC210      |
| 57.6                 | 25    | 51.6   | 19.0   |              | M16         |    |             |             |
| 2 19/64              | 63/64 | 2.1890 | 0.8740 | 1.42         | 5/8         | 55 | FLPL211     | MUC211      |
| 58.4                 | 25    | 55.6   | 22.2   |              | M16         |    |             |             |
| 2 45/64              | 19/64 | 2.5630 | 1.0000 | 1.60         | 5/8         | 60 | FLPL212     | MUC212      |
| 88.7                 | 29    | 65.1   | 25.4   |              | M16         |    |             |             |



BEARINGS

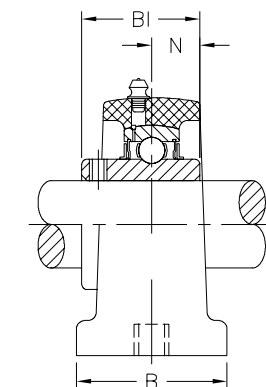
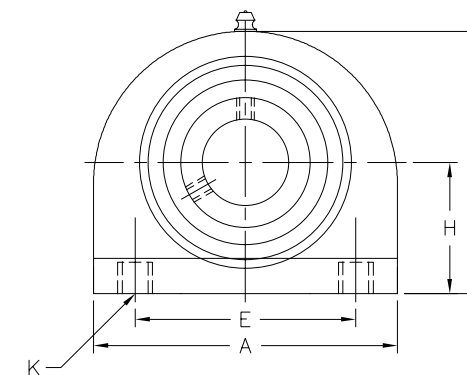
BEARINGS

# UNITS

## MOUNTED UNITS – THERMOPLASTIC – HOUSED TAP-BASE

| Unit no.  | Shaft dia. |    | Dimensions (in & mm) |                |                 |                 |                  |
|-----------|------------|----|----------------------|----------------|-----------------|-----------------|------------------|
|           | in         | mm | A                    | E              | B               | H               | W                |
| MUCTBL204 | 3/4        | 20 | 2 55/64<br>72.8      | 2<br>50.8      | 1 23/64<br>34.5 | 1 5/16<br>33.3  | 2-19/32<br>66    |
| MUCTBL205 | 13/16      | 25 | 3<br>76.2            | 2<br>50.2      | 1 9/16<br>39.5  | 1 7/16<br>36.5  | 2-57/64<br>73.5  |
|           | 7/8        |    |                      |                |                 |                 |                  |
|           | 15/16      |    |                      |                |                 |                 |                  |
| MUCTBL206 | 11/16      | 30 | 3 31/32<br>101       | 3<br>76.2      | 1 43/64<br>42.5 | 1 11/16<br>42.9 | 3-5/16<br>84     |
|           | 11/8       |    |                      |                |                 |                 |                  |
|           | 13/16      |    |                      |                |                 |                 |                  |
| MUCTBL207 | 11/4       | 35 | 4 21/64<br>110       | 3 1/4<br>82.6  | 1 7/8<br>47.5   | 1 7/8<br>47.6   | 3-47/64<br>95    |
|           | 15/16      |    |                      |                |                 |                 |                  |
|           | 13/8       |    |                      |                |                 |                 |                  |
| MUCTBL208 | 11/2       | 40 | 4 23/32<br>120       | 3 1/2<br>88.9  | 1 57/64<br>48   | 1 15/16<br>49.2 | 3-61/64<br>100.5 |
|           | 19/16      |    |                      |                |                 |                 |                  |
|           | 15/8       |    |                      |                |                 |                 |                  |
| MUCTBL209 | 1 11/16    | 45 | 4 7/8<br>124         | 3 3/4<br>95.3  | 1 31/32<br>50   | 2 1/8<br>54     | 4-9/32<br>108.5  |
|           | 13/4       |    |                      |                |                 |                 |                  |
|           | 113/16     |    |                      |                |                 |                 |                  |
| MUCTBL210 | 17/8       | 50 | 5 5/16<br>135        | 4<br>101.6     | 2 1/8<br>54     | 2 1/4<br>57.2   | 4-17/32<br>115   |
|           | 115/16     |    |                      |                |                 |                 |                  |
|           | 2          |    |                      |                |                 |                 |                  |
| MUCTBL211 | 2          | 55 | 5 33/64<br>140       | 4 3/32<br>104  | 2 19/32<br>66   | 2 1/2<br>63.5   | 4-59/64<br>125   |
|           | 2 1/16     |    |                      |                |                 |                 |                  |
|           | 2 1/8      |    |                      |                |                 |                 |                  |
| MUCTBL212 | 2 3/16     | 60 | 5 29/32<br>150       | 4 31/64<br>114 | 2 43/64<br>68   | 2 3/4<br>69.9   | 5-7/16<br>138    |
|           | 2 1/4      |    |                      |                |                 |                 |                  |
|           | 2 5/16     |    |                      |                |                 |                 |                  |

| Dimensions (in & mm) |        |        | Weight<br>kg | Max. torque |    | Housing no. | Bearing no. |
|----------------------|--------|--------|--------------|-------------|----|-------------|-------------|
| K                    | BI     | N      |              | Bolt D      | Nm |             |             |
| M8                   | 1.2205 | 0.5000 | 0.35         | 5/16        | 18 | TBL204      | MUC204      |
| M10                  | 31     | 12.7   |              | M8          |    |             |             |
| M10                  | 1.3425 | 0.5630 | 0.40         | 3/8         | 25 | TBL205      | MUC205      |
|                      |        | 34.1   |              | 14.3        |    |             |             |
| M10                  | 1.5000 | 0.6260 | 0.55         | 3/8         | 30 | TBL206      | MUC206      |
|                      |        | 38.1   |              | 15.9        |    |             |             |
| M10                  | 1.6890 | 0.6890 | 0.80         | 3/8         | 35 | TBL207      | MUC207      |
|                      |        | 42.9   |              | 17.5        |    |             |             |
| M12                  | 1.9370 | 0.7480 | 0.95         | 7/16        | 45 | TBL208      | MUC208      |
|                      |        | 49.2   |              | 19.0        |    |             |             |
| M12                  | 1.9370 | 0.7480 | 1.10         | 7/16        | 50 | TBL209      | MUC209      |
|                      |        | 49.2   |              | 19.0        |    |             |             |
| M16                  | 2.0315 | 0.7480 | 1.25         | 5/8         | 55 | TBL210      | MUC210      |
|                      |        | 51.6   |              | 19.0        |    |             |             |
| M20                  | 2.1890 | 0.8740 | 1.43         | 3/4         | 60 | TBL211      | MUC211      |
|                      |        | 55.6   |              | 22.2        |    |             |             |
| M20                  | 2.5630 | 1.0000 | 1.58         | 3/4         | 65 | TBL212      | MUC212      |
|                      |        | 65.1   |              | 25.4        |    |             |             |



BEARINGS

BEARINGS

# UNITS

## SB & CSB INSERTS – SB2, CSB2

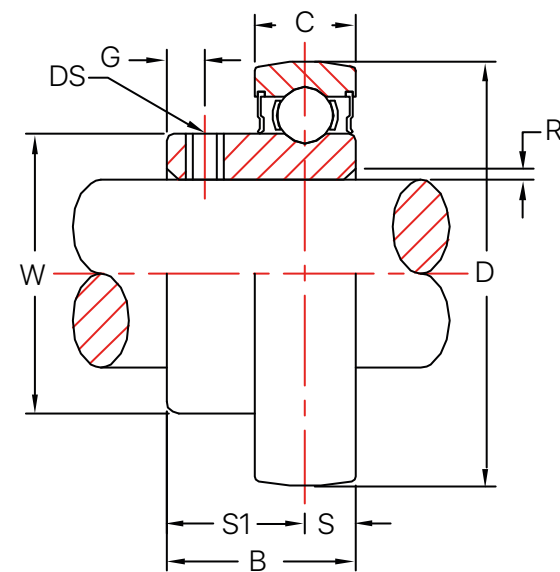
| Bearing no. | Shaft dia.<br>in | Dimensions (in) |        |        |        |        |        |         | Load rating |        | Weight<br>lb |
|-------------|------------------|-----------------|--------|--------|--------|--------|--------|---------|-------------|--------|--------------|
|             |                  | D               | B      | C      | S      | S1     | G      | DS      | Dynamic     | Static |              |
| SB 201-08   | 1/2              | 1.5748          | 0.8661 | 0.4724 | 0.236  | 0.63   | 0.177  | 10-32   | 2160        | 1030   | 0.22         |
| SB 202-10   | 5/8              |                 |        |        |        |        |        |         |             |        | 0.22         |
| SB 204-12   | 3/4              | 1.8504          | 0.9843 | 0.5512 | 0.2760 | 0.7090 | 0.1770 | 1/4-28  | 2880        | 1500   | 0.26         |
| SB 205-14   | 7/8              |                 |        |        |        |        |        |         |             |        | 0.39         |
| SB 205-15   | 15/16            | 2.0472          | 1.0630 | 0.5906 | 0.2950 | 0.7680 | 0.2170 | 1/4-28  | 3150        | 1760   | 0.37         |
| SB 205-16   | 1                |                 |        |        |        |        |        |         |             |        | 0.35         |
| SB 206-18   | 1 1/8            |                 |        |        |        |        |        |         |             |        | 0.75         |
| SB 206-19   | 1 3/16           | 2.4409          | 1.1811 | 0.6299 | 0.3150 | 0.8660 | 0.2360 | 1/4-28  | 4400        | 2540   | 0.71         |
| SB 206-20   | 1 1/4            |                 |        |        |        |        |        |         |             |        | 0.66         |
| SB 207-20   | 1 1/4            | 2.8346          | 1.2598 | 0.6693 | 0.3350 | 0.9250 | 0.2560 | 5/16-24 | 5800        | 3450   | 1.15         |
| SB 207-22   | 1 3/8            |                 |        |        |        |        |        |         |             |        | 1.06         |
| SB 208-24   | 1 1/2            | 3.1496          | 1.3386 | 0.7087 | 0.3540 | 0.9840 | 0.2760 | 5/16-24 | 6630        | 4070   | 1.50         |
| SB 209-26   | 1 5/8            | 3.3465          | 1.6220 | 0.7480 | 0.4020 | 1.2200 | 0.3230 | 5/16-24 | 7100        | 4630   | 1.72         |
| SB 209-28   | 1 3/4            |                 |        |        |        |        |        |         |             |        | 1.54         |
| SB 210-30   | 1 7/8            |                 |        |        |        |        |        |         |             |        | 1.87         |
| SB 210-31   | 1 15/16          | 3.5433          | 1.7126 | 0.7874 | 0.4290 | 1.2830 | 0.3620 | 3/8-24  | 7870        | 5210   | 1.76         |
| SB 210-32   | 2                |                 |        |        |        |        |        |         |             |        | 1.78         |
| SB 211-32   | 2                | 3.9370          | 1.7835 | 0.8268 | 0.4650 | 1.3190 | 0.3860 | 3/8-24  | 9800        | 6570   | 2.42         |

# UNITS

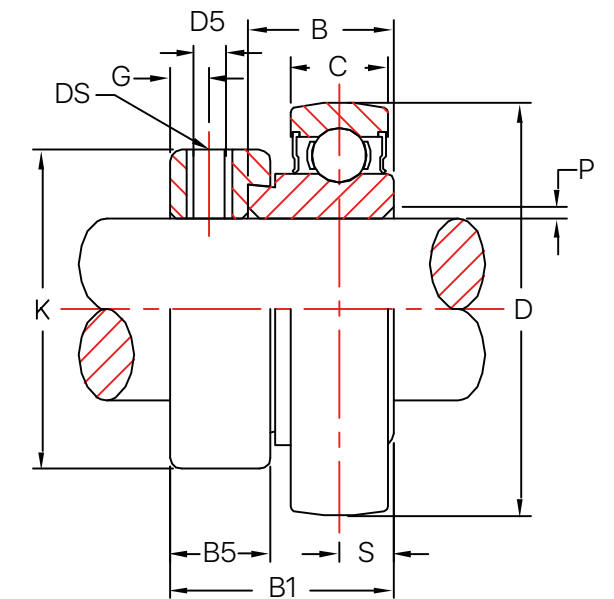
## SA & CSA INSERTS – SA2, CSA2

| Bearing no. | Shaft dia.<br>in | Dimensions (in) |        |        |        |        |        |         |        |        | Load rating |        | Weight<br>lb |
|-------------|------------------|-----------------|--------|--------|--------|--------|--------|---------|--------|--------|-------------|--------|--------------|
|             |                  | D               | B1     | B      | C      | S      | G      | DS      | B5     | D5     | Dynamic     | Static |              |
| SA 201-08   | 1/2              | 1.5748          | 1.1260 | 0.7520 | 0.4724 | 0.2560 | 0.1890 | 10-32   | 0.5310 | 1.1260 | 2160        | 1030   | 0.22         |
| SA 202-10   | 5/8              |                 |        |        |        |        |        |         |        |        |             |        | 0.22         |
| SA 204-12   | 3/4              | 1.8504          | 1.2200 | 0.8465 | 0.5512 | 0.2950 | 0.1890 | 1/4-28  | 0.5310 | 1.3110 | 2880        | 1500   | 0.26         |
| SA 205-14   | 7/8              |                 |        |        |        |        |        |         |        |        |             |        | 0.39         |
| SA 205-15   | 15/16            | 2.0472          | 1.2200 | 0.8465 | 0.5906 | 0.2950 | 0.1890 | 1/4-28  | 0.5310 | 1.5000 | 3150        | 1760   | 0.37         |
| SA 205-16   | 1                |                 |        |        |        |        |        |         |        |        |             |        | 0.35         |
| SA 206-18   | 1 1/8            |                 |        |        |        |        |        |         |        |        |             |        | 0.75         |
| SA 206-19   | 1 3/16           | 2.4409          | 1.4060 | 0.9370 | 0.6299 | 0.3540 | 0.2360 | 5/16-24 | 0.6260 | 1.7520 | 4400        | 2540   | 0.71         |
| SA 206-20   | 1 1/4            |                 |        |        |        |        |        |         |        |        |             |        | 0.66         |
| SA 207-20   | 1 1/4            | 2.8346          | 1.5310 | 1.0000 | 0.6693 | 0.3740 | 0.2680 | 5/16-24 | 0.6890 | 2.1890 | 5800        | 3450   | 1.15         |
| SA 207-22   | 1 3/8            |                 |        |        |        |        |        |         |        |        |             |        | 1.06         |
| SA 208-24   | 1 1/2            | 3.1496          | 1.7210 | 1.1890 | 0.7087 | 0.4330 | 0.2680 | 5/16-24 | 0.7200 | 2.3740 | 6630        | 4070   | 1.50         |
| SA 209-26   | 1 5/8            | 3.3465          | 1.7210 | 1.1890 | 0.7480 | 0.4330 | 0.2680 | 5/16-24 | 0.7200 | 2.5000 | 7100        | 4630   | 1.72         |
| SA 209-28   | 1 3/4            |                 |        |        |        |        |        |         |        |        |             |        | 1.54         |
| SA 210-30   | 1 7/8            |                 |        |        |        |        |        |         |        |        |             |        | 1.87         |
| SA 210-31   | 1 15/16          | 3.5433          | 1.7210 | 1.1890 | 0.7874 | 0.4330 | 0.2680 | 5/16-24 | 0.7200 | 2.7520 | 7870        | 5210   | 1.76         |
| SA 210-32   | 2                |                 |        |        |        |        |        |         |        |        |             |        | 1.78         |
| SA 211-32   | 2                | 3.9370          | 1.9060 | 1.2795 | 0.8268 | 0.4720 | 0.3150 | 3/8-24  | 0.8150 | 3.000  | 9800        | 6570   | 2.42         |

BEARINGS



BEARINGS

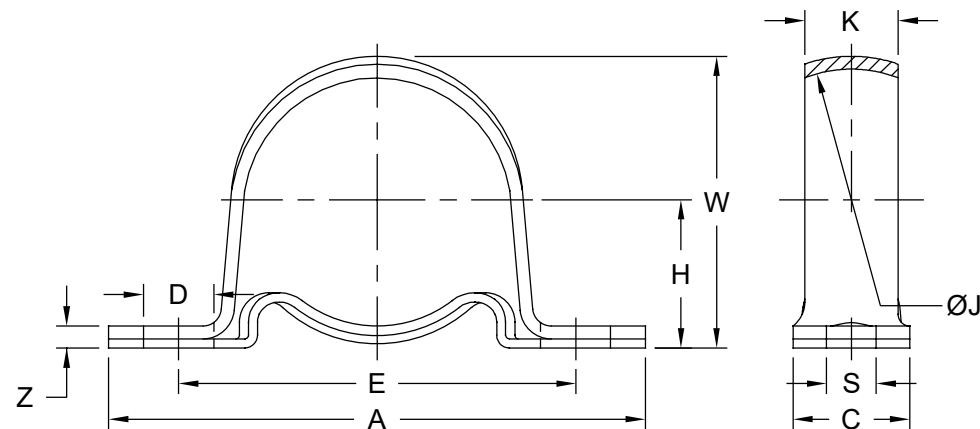




## UNITS

### PRESSED STEEL – HOUSING PILLOW BLOCKS – PP

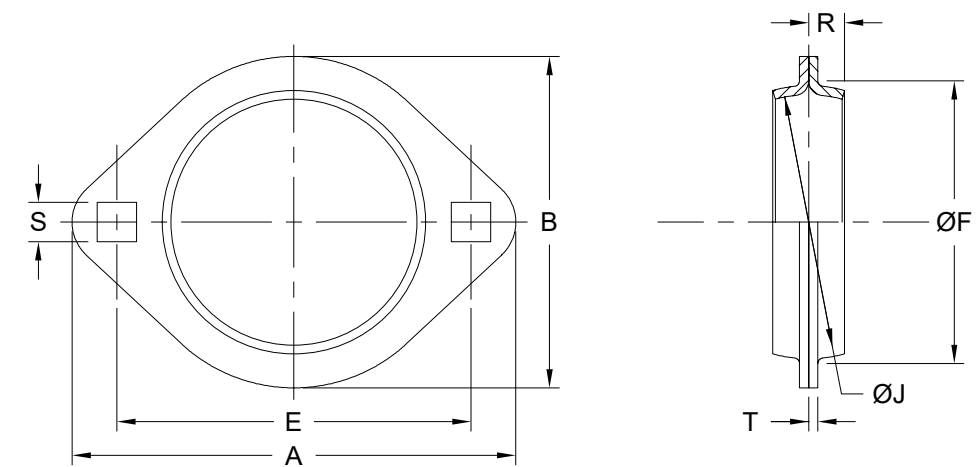
| Part no. | A                | C               | D              | E                 | H                | J             | K              | S               | W                | Z              |
|----------|------------------|-----------------|----------------|-------------------|------------------|---------------|----------------|-----------------|------------------|----------------|
|          | in (mm)          | in (mm)         | in (mm)        | in (mm)           | in (mm)          | in (mm)       | in (mm)        | in (mm)         | in (mm)          | in (mm)        |
| PP3Z     | 3 5/8<br>(92.1)  | 1<br>(25.4)     | 1/2<br>(12.7)  | 2 11/16<br>(68.3) | 7/8<br>(22.2)    | 1.575<br>(40) | 3/4<br>(19.1)  | 11/32<br>(8.7)  | 1 3/4<br>(44.5)  | 0.133<br>(3.4) |
| PP4Z     | 4 1/8<br>(104.8) | 1<br>(25.4)     | 1/2<br>(12.7)  | 3<br>(76.2)       | 1<br>(25.4)      | 1.850<br>(47) | 7/8<br>(22.2)  | 13/32<br>(10.3) | 2 1/16<br>(52.4) | 0.178<br>(4.5) |
| PP5ZH    | 4 1/4<br>(108)   | 1 1/4<br>(31.8) | 0.433<br>(11)  | 3 3/8<br>(85.7)   | 1 1/8<br>(28.6)  | 2.047<br>(52) | 3/4"<br>(19.1) | 0.433<br>(11)   | 2 3/16<br>(55.6) | 0.149<br>(3.8) |
| PP5Z     | 4 1/2<br>(114.3) | 1 1/8<br>(26.8) | 9/16<br>(14.3) | 3 3/8<br>(85.7)   | 1 1/8<br>(28.6)  | 2.047<br>(52) | 3/4<br>(19.1)  | 13/32<br>(10.3) | 2 7/32<br>(56.4) | 0.208<br>(5.3) |
| PP6Z     | 4 7/8<br>(123.8) | 1 1/8<br>(26.8) | 9/16<br>(14.3) | 3 3/4<br>(95.3)   | 1 5/16<br>(33.3) | 2.441<br>(62) | 7/8<br>(22.2)  | 13/32<br>(10.3) | 2 5/8<br>(66.7)  | 0.238<br>(6)   |
| PP7Z     | 5 3/4<br>(146.1) | 1 1/4<br>(31.8) | 3/4<br>(19.1)  | 4 1/4<br>(108)    | 1 9/16<br>(39.7) | 2.835<br>(72) | 1<br>(25.4)    | 17/32<br>(13.5) | 3 1/8<br>(79.4)  | 0.238<br>(6)   |



## UNITS

### PRESSED STEEL – HOUSING 2-BOLT FLANGE – PFL (2 HOLES)

| Part no. | Series | A                  | B                 | E                 | F                 | J             | R            | S            | T              | Bolt dia.   |
|----------|--------|--------------------|-------------------|-------------------|-------------------|---------------|--------------|--------------|----------------|-------------|
|          |        | in (mm)            | in (mm)           | in (mm)           | in (mm)           | in (mm)       | in (mm)      | in (mm)      | in (mm)        | in (mm)     |
| PFL3Z    | 203    | 3 3/16<br>(81)     | 2 5/16<br>(58.7)  | 2 1/2<br>(63.5)   | 1 15/16<br>(49.2) | 1.757<br>(40) | 9/32<br>(7)  | 9/32<br>(7)  | 0.075<br>(1.9) | 1/4<br>(6)  |
| PFL4Z    | 204    | 3 9/16<br>(90.5)   | 2 5/8<br>(66.7)   | 2 13/16<br>(71.4) | 2 3/16<br>(55.6)  | 1.850<br>(47) | 5/16<br>(8)  | 11/32<br>(9) | 0.083<br>(2.1) | 5/16<br>(8) |
| PFL5Z    | 205    | 3 3/4<br>(95.3)    | 2 51/64<br>(71)   | 3<br>(76.2)       | 2 3/8<br>(60.3)   | 2.047<br>(52) | 11/32<br>(9) | 11/32<br>(9) | 0.083<br>(2.1) | 5/16<br>(8) |
| PFL6Z    | 206    | 4 7/16<br>(112.7)  | 3 5/16<br>(84.1)  | 3 9/16<br>(90.5)  | 2 13/16<br>(71.4) | 2.441<br>(62) | 11/32<br>(9) | 7/16<br>(11) | 0.104<br>(2.6) | 5/16<br>(8) |
| PFL7Z    | 207    | 4 15/16<br>(125.4) | 3 11/16<br>(93.7) | 3 15/16<br>(100)  | 3 3/16<br>(81)    | 2.835<br>(72) | 7/16<br>(11) | 7/16<br>(11) | 0.104<br>(2.6) | 3/8<br>(10) |



# UNITS

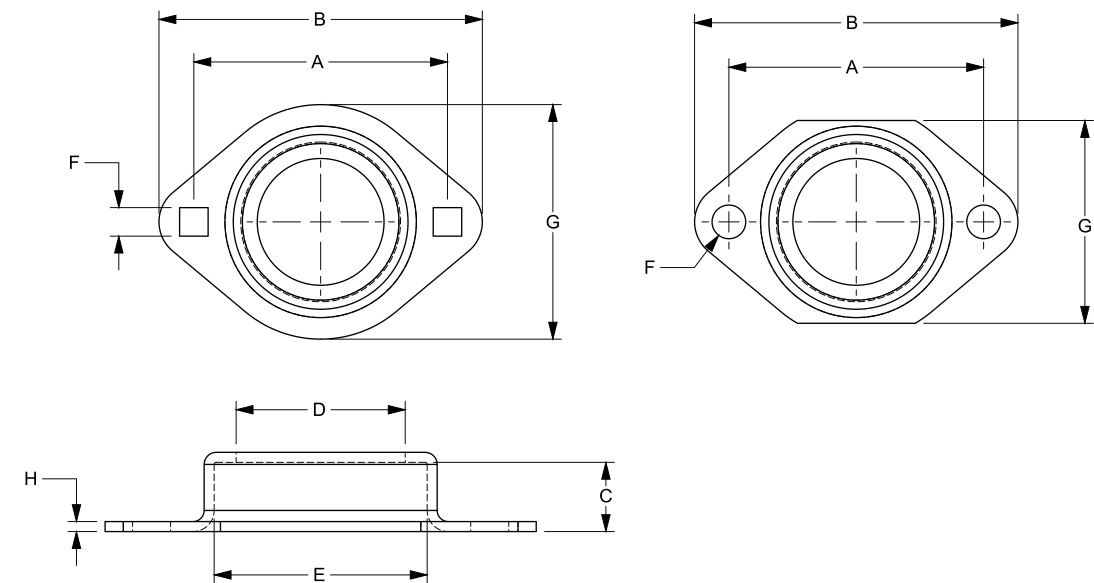
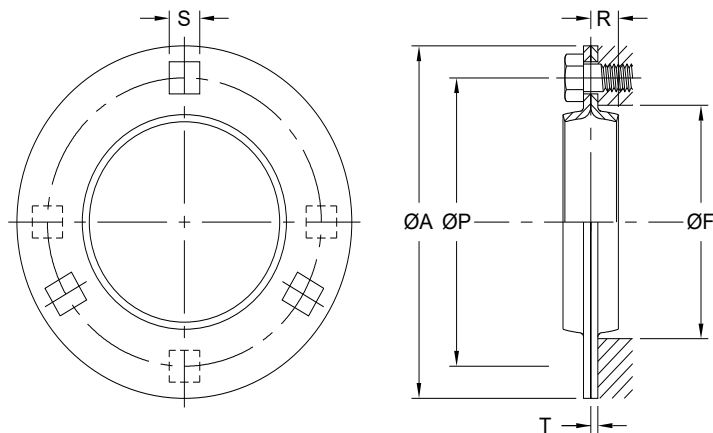
## PRESSED STEEL – ROUND HOUSING FLANGE – PF (3 OR 4 HOLES)

|         | Part no. | A               | F              | P               | R          | S          | T           | Bolt dia. |
|---------|----------|-----------------|----------------|-----------------|------------|------------|-------------|-----------|
|         |          | in (mm)         | in (mm)        | in (mm)         | in (mm)    | in (mm)    | in (mm)     | in (mm)   |
| 3 Holes | PF3Z     | 3 3/16 (81)     | 1 15/16 (49.2) | 2 1/2 (63.5)    | 9/32 (7)   | 9/32 (7)   | 0.075 (1.9) | 1/4 (6)   |
|         | PF4Z     | 3 9/16 (90.5)   | 2 3/16 (55.6)  | 2 13/16 (71.4)  | 5/16 (8)   | 11/32 (9)  | 0.083 (2.1) | 5/16 (8)  |
|         | PF5Z     | 3 3/4 (95.3)    | 2 3/8 (60.3)   | 3 (76.2)        | 11/32 (9)  | 11/32 (9)  | 0.083 (2.1) | 5/16 (8)  |
|         | PF6Z     | 4 13/16 (112.2) | 2 13/16 (71.4) | 3 9/16 (90.5)   | 11/32 (9)  | 7/16 (11)  | 0.104 (2.6) | 3/8 (10)  |
|         | PF7Z     | 4 13/16 (122.2) | 3 3/16 (81)    | 3 15/16 (100)   | 3/8 (10)   | 7/16 (11)  | 0.104 (2.6) | 3/8 (10)  |
|         | PF7Z-4Z  |                 |                |                 |            |            |             |           |
| 4 Holes | PF8-4Z   | 5 13/16 (147.6) | 3 9/16 (90.5)  | 4 11/16 (119.1) | 7/16 (11)  | 17/32 (14) | 0.134 (3.4) | 1/2 (12)  |
|         | PF9-4Z   | 5 7/8 (149.2)   | 3 13/16 (96.8) | 4 3/4 (120.7)   | 7/16 (11)  | 17/32 (14) | 0.134 (3.4) | 1/2 (12)  |
|         | PF10-4Z  | 6-1/8 (155.6)   | 4 (101.6)      | 5 (127)         | 7/16 (11)  | 17/32 (14) | 0.149 (3.8) | 1/2 (12)  |
|         | PF11-4Z  | 6-9/16 (166.7)  | 4-7/16 (112.7) | 5-7/16 (138.1)  | 15/32 (12) | 17/32 (14) | 0.149 (3.8) | 1/2 (12)  |
|         |          |                 |                |                 |            |            |             |           |

# UNITS

## PRESSED STEEL – 2-BOLT FLUSH MOUNTS

| Part no. | Shaft size                | A                    | B       | C     | D     | E      | F          | G       | H     |
|----------|---------------------------|----------------------|---------|-------|-------|--------|------------|---------|-------|
|          |                           | Dimensions (in & mm) |         |       |       |        |            |         |       |
| 30-2MFM  |                           | 2 1/8                | 2 13/16 | 0.354 | 0.76  | 1 3/16 | 9/32       | 1 15/16 | 0.066 |
|          |                           | 54                   | 71      | 9     | 19    | 30     | 7          | 49      | 2     |
| 40-2MFM  | 1-2, 9/16, 5/8            | 2 1/2                | 3 3/16  | 0.512 | 1.25  | 1.0578 | 9/32       | 2 5/16  | 0.074 |
|          |                           | 64                   | 81      | 13    | 32    | 40     | 7          | 59      | 2     |
| 47-2MFM  | 3/4                       | 2 13/16              | 3 9/16  | 0.590 | 1.428 | 1.0843 | 11/32      | 2 5/8   | 0.074 |
|          |                           | 71                   | 90      | 15    | 36    | 47     | 9          | 67      | 2     |
| 52-2MFM  | 13/16, 7/8, 15/16, 1      | 3                    | 3 3/4   | 0.590 | 1.625 | 2.0468 | 11/32      | 2 51/64 | 0.074 |
|          |                           | 76                   | 95      | 15    | 41    | 52     | 9          | 71      | 2     |
| 52-2CFM  | 13/16, 7/8, 15/16, 1      | 3 1/4                | 4 1/8   | 0.590 | 1.906 | 2.0468 | 7/16 Round | 2 1/4   | 0.062 |
|          |                           | 83                   | 105     | 15    | 48    | 52     | 11         | 57      | 2     |
| 62-2MFM  | 11/16, 11/8, 113/16, 11/4 | 3 9/16               | 4 7/16  | 0.709 | 2.018 | 2 7/16 | 13/32      | 3 1/4   | 0.089 |
|          |                           | 90                   | 113     | 18    | 51    | 62     | 10         | 83      | 2     |

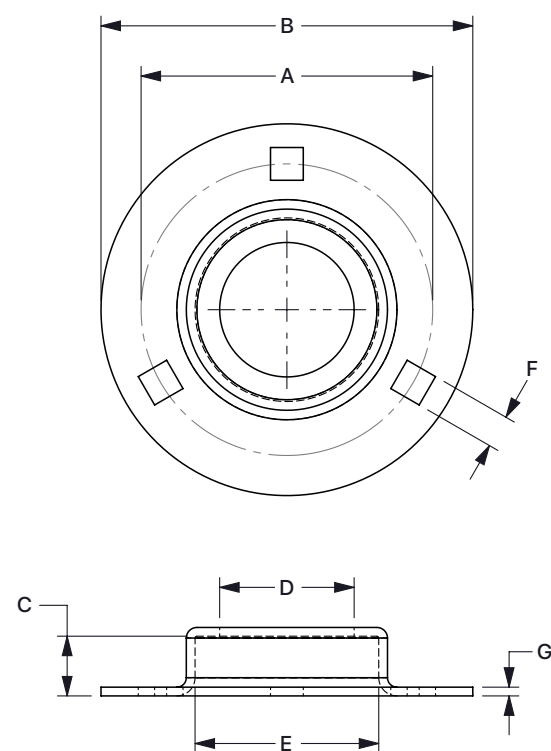




# UNITS

## PRESSED STEEL – 3-BOLT FLUSH MOUNTS

| Part no. | Shaft size<br>in           | A       | B      | C     | D     | E     | F     | G     |
|----------|----------------------------|---------|--------|-------|-------|-------|-------|-------|
| 40-3MFM  | 1/2, 9/16, 5/8             | 2 1/2   | 3 3/16 | 0.512 | 1.153 | 40 mm | 9/32  | 0.074 |
| 47-3MFM  | 3/4                        | 2 13/16 | 3 9/16 | 0.590 | 1.428 | 47 mm | 11/32 | 0.074 |
| 52-3MFM  | 13/16, 7/8, 15/16, 1       | 3       | 3 3/4  | 0.590 | 1.625 | 52 mm | 11/32 | 0.074 |
| 62-3MFM  | 11/16, 11/8, 113/16, 1 1/4 | 3 9/16  | 4 7/16 | 0.709 | 2.018 | 62 mm | 13/32 | 0.089 |



CONTRIBUTING TO PEOPLE'S QUALITY OF LIFE, EVERY DAY.





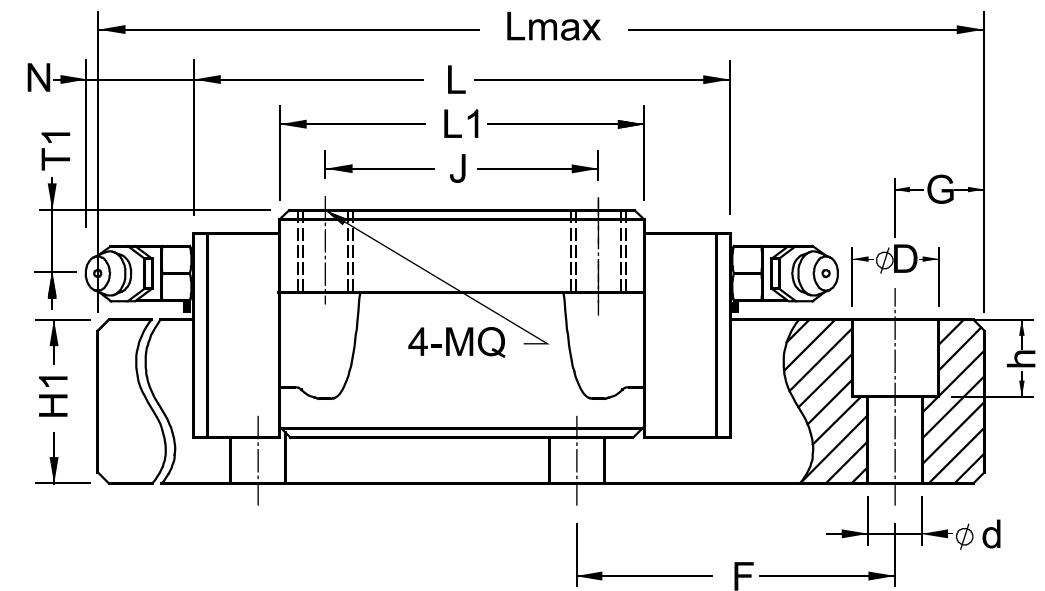
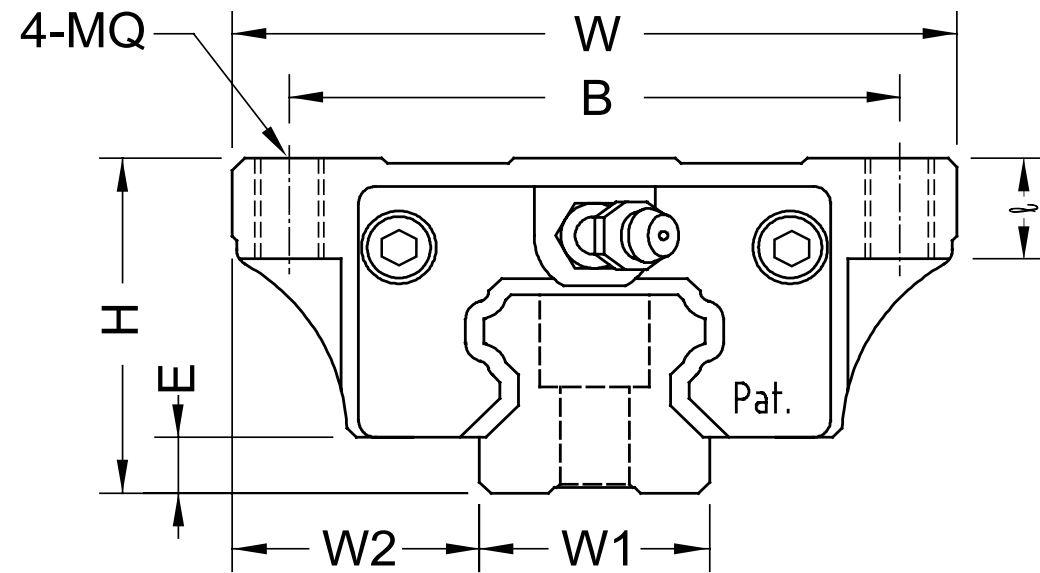
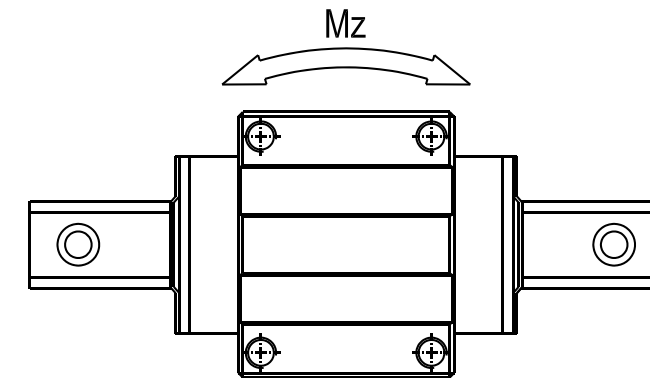
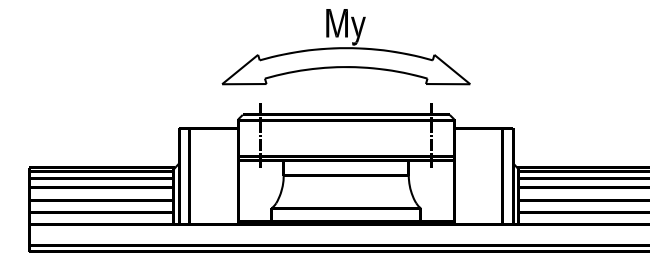
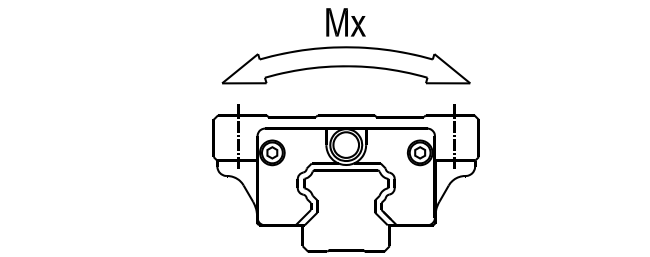
# LINEAR GUIDEWAY

- Components of motion transmission
- Self-lubricated profile rail guide
- High accuracy and rigidity
- Low maintenance cost
- Built-in lifelong lubrication
- An equivalent loading capacity in all four directions



# LINEAR GUIDEWAY

BRC-A0/LA, BRD-A0/LA



BEARINGS

BEARINGS

# LINEAR GUIDEWAY

BRC-A0/LA, BRD-A0/LA



| Model   | Assembly     |               |                |               | BR block        |                         |        |
|---------|--------------|---------------|----------------|---------------|-----------------|-------------------------|--------|
|         | mm (in)      |               |                |               | mm (in)         |                         |        |
|         | H            | W             | W2             | E             | L               | BxJ                     | MQxl   |
| BRC15A0 | 24<br>(0.94) | 47<br>(1.85)  | 16<br>(0.62)   | 4.6<br>(0.18) | 66<br>(2.59)    | 38x30<br>(1.49 X 1.18)  | M5x8   |
| BRD15A0 |              |               |                |               | 56<br>(2.20)    |                         |        |
| BRC20A0 | 30<br>(1.18) | 63<br>(92.48) | 21.5<br>(0.84) | 5<br>(0.19)   | 77.8<br>(3.06)  | 53x40<br>(2.08 X 1.57)  | M6x9   |
| BRD20A0 |              |               |                |               | 67.8<br>(2.66)  |                         |        |
| BRC20LA |              |               |                |               | 92.4<br>(3.63)  |                         |        |
| BRD20LA |              |               |                |               | 82.4<br>(3.24)  |                         |        |
| BRC25A0 | 36<br>(1.41) | 70<br>(2.75)  | 23.5<br>(0.92) | 7<br>(0.27)   | 88<br>(3.46)    | 57x45<br>(2.24 X 1.77)  | M8x12  |
| BRD25A0 |              |               |                |               | 78<br>(3.07)    |                         |        |
| BRC25LA |              |               |                |               | 110.1<br>(4.33) |                         |        |
| BRD25LA |              |               |                |               | 100.1<br>(3.94) |                         |        |
| BRC30A0 | 42<br>(1.65) | 90<br>(3.54)  | 31<br>(1.22)   | 9<br>(0.35)   | 109<br>(4.29)   | 72x52<br>(2.83 X 2.04)  | M10x12 |
| BRD30A0 |              |               |                |               |                 |                         |        |
| BRC30LA |              |               |                |               | 99<br>(3.89)    |                         |        |
| BRD30LA |              |               |                |               |                 |                         |        |
| BRD35A0 | 48<br>(1.88) | 100<br>(3.93) | 33<br>(1.29)   | 9.5<br>(0.37) | 131.3<br>(5.16) | 82x62<br>(3.22 X 2.44)  | M10x13 |
| BRD35LA |              |               |                |               | 121.3<br>(4.77) |                         |        |
| BRD45A0 | 60<br>(2.36) | 120<br>(4.72) | 37.5<br>(1.47) | 14<br>(0.55)  | 138.2<br>(5.44) | 100x80<br>(3.93 X 3.14) | M12x15 |
| BRD45LA |              |               |                |               | 163<br>(6.41)   |                         |        |

| BR block        |          |               |                | BR rail      |              |               |                                 |
|-----------------|----------|---------------|----------------|--------------|--------------|---------------|---------------------------------|
| mm (in)         |          |               |                | mm (in)      |              |               |                                 |
| L1              | Oil hole | T1            | (N)            | W1           | H1           | F             | dxDxh                           |
| 40<br>(1.57)    | ∅3       | 4.3<br>(0.16) | 5<br>(0.19)    | 15<br>(0.59) | 15<br>(0.59) | 60<br>(2.36)  | 4.5x7.5x5.8<br>(0.17x0.29x0.22) |
| 48.8<br>(1.92)  | M6x1     | 7<br>(0.27)   | 15.6<br>(0.61) | 20<br>(0.78) | 20<br>(0.78) | 60<br>(2.36)  | 6x9.5x9.0<br>(0.23x0.37x0.35)   |
| 63.4<br>(2.49)  |          |               |                |              |              |               |                                 |
| 57<br>(2.24)    | M6x1     | 7.8<br>(0.30) | 15.6<br>(0.61) | 23<br>(0.90) | 23<br>(0.90) | 60<br>(2.36)  | 7x11x9.5<br>(0.27x0.43x0.37)    |
| 79.1<br>(3.11)  |          |               |                |              |              |               |                                 |
| 72<br>(2.83)    | M6x1     | 7<br>(0.27)   | 15.6<br>(0.61) | 28<br>(1.10) | 28<br>(1.10) | 80<br>(3.14)  | 9x14x12.5<br>(0.35x0.55x0.49)   |
| 94.3<br>(3.71)  |          |               |                |              |              |               |                                 |
| 80<br>(3.14)    | M6x1     | 8<br>(0.31)   | 15.6<br>(0.61) | 34<br>(1.33) | 34<br>(1.33) | 80<br>(3.14)  | 9x14x12.5<br>(0.35x0.55x0.49)   |
| 105.8<br>(4.16) |          |               |                |              |              |               |                                 |
| 105<br>(4.13)   | M6x1     | 8.5<br>(0.33) | 16<br>(0.62)   | 45<br>(1.77) | 45<br>(1.77) | 105<br>(4.13) | 14x20x17.5<br>(0.55x0.78x0.68)  |
| 129.8<br>(5.11) |          |               |                |              |              |               |                                 |

BEARINGS

BEARINGS

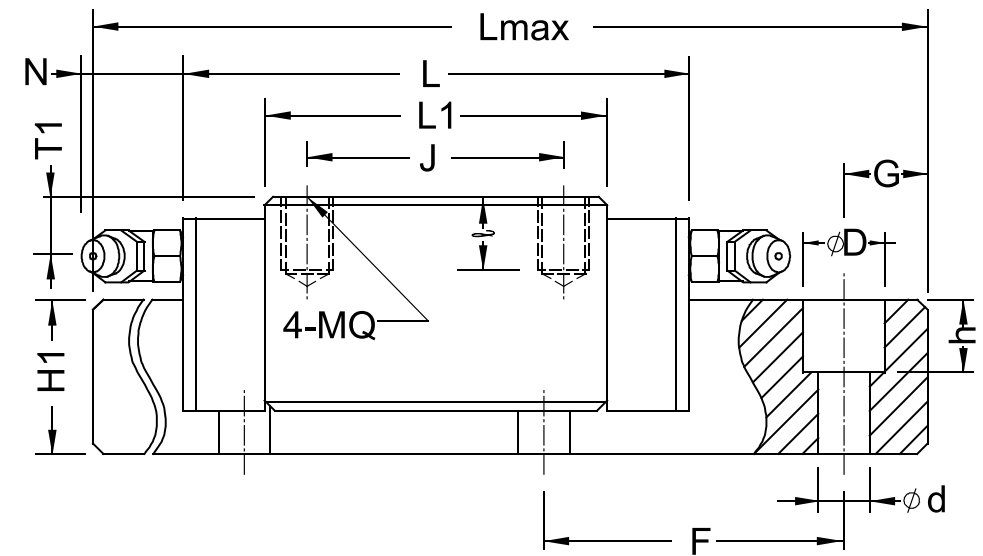
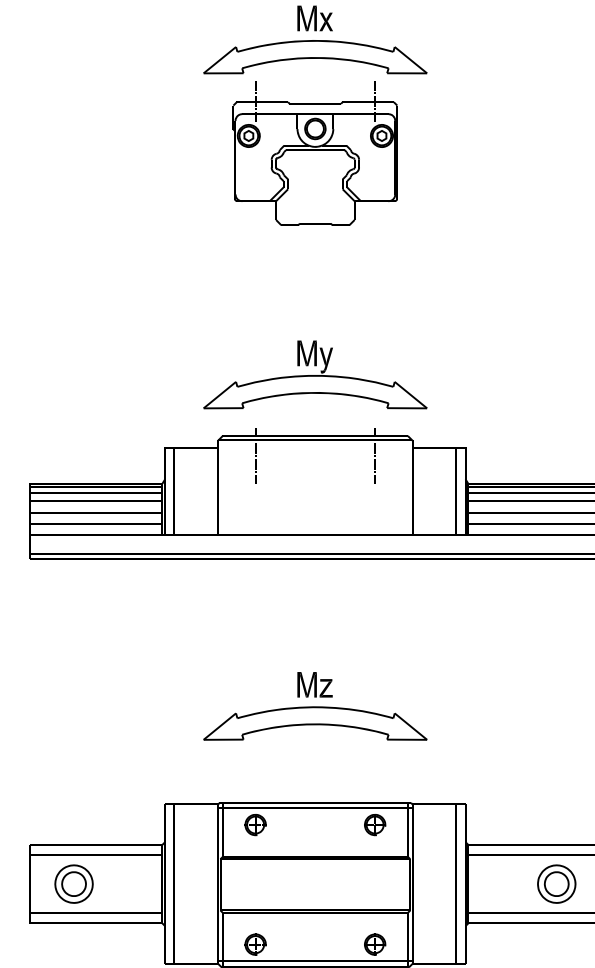
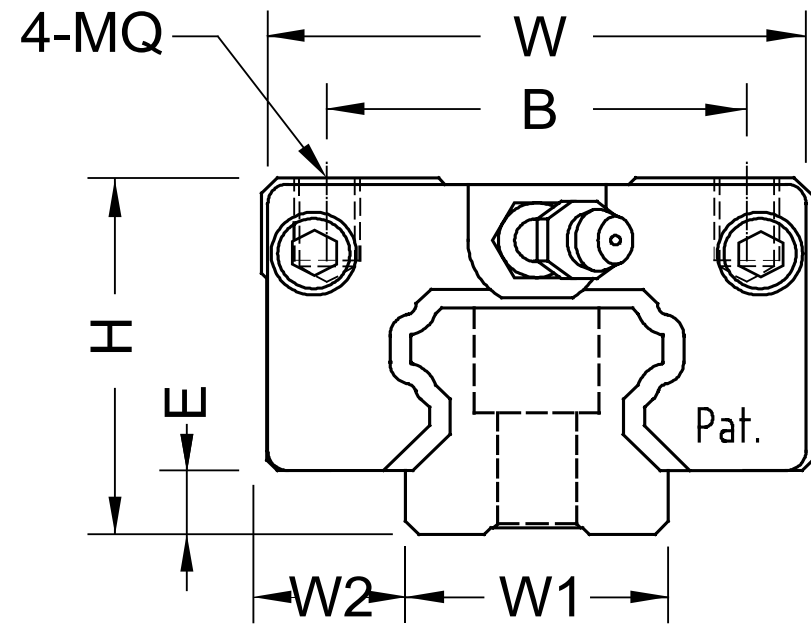


| Model   | Ref data         |                | Basic load rating  |                     |
|---------|------------------|----------------|--------------------|---------------------|
|         | mm (in)          |                | (kgf) (N)          |                     |
|         | Lmax.            | G              | Dynamic (C)        | Static (Co)         |
| BRC15A0 | 4000<br>(157.47) | 20<br>(0.78)   | 850<br>(8335.65)   | 1350<br>(13238.98)  |
| BRD15A0 |                  |                |                    |                     |
| BRC20A0 | 4000<br>(157.47) | 20             | 1400<br>(13729.31) | 2400<br>(23535.96)  |
| BRD20A0 |                  |                |                    |                     |
| BRC20LA |                  |                | 1650<br>(16180.97) | 3000<br>(29419.95)  |
| BRD20LA |                  |                |                    |                     |
| BRC25A0 | 4000<br>(157.47) | 20<br>(0.78)   | 1950<br>(19122.97) | 3200<br>(31381.28)  |
| BRD25A0 |                  |                |                    |                     |
| BRC25LA |                  |                | 2600<br>(25497.29) | 4600<br>(45110.59)  |
| BRD25LA |                  |                |                    |                     |
| BRC30A0 | 4000<br>(157.47) | 20<br>(0.78)   | 2850<br>(27948.95) | 4800<br>(47071.92)  |
| BRD30A0 |                  |                |                    |                     |
| BRC30LA |                  |                | 3600<br>(35303.94) | 6400<br>(62762.56)  |
| BRD30LA |                  |                |                    |                     |
| BRD35A0 | 4000<br>(157.47) | 20<br>(0.78)   | 3850<br>(37755.6)  | 6200<br>(60801.23)  |
| BRD35LA |                  |                | 4800<br>(47071.92) | 8300<br>(81395.19)  |
| BRD45A0 | 4000<br>(157.47) | 22.5<br>(0.88) | 6500<br>(63743.22) | 10500<br>(102969.8) |
| BRD45LA |                  |                | 7700<br>(75511.21) | 13000<br>(127486.5) |

| Static moment      |                    |                    | Weight         |             |
|--------------------|--------------------|--------------------|----------------|-------------|
| (kgf*m) (Nm)       |                    |                    | kg (lb)        |             |
| Mx                 | My                 | Mz                 | Block          | Rail (kg/m) |
| 10.1<br>(99.04)    | 6.8<br>(66.68)     | 6.8<br>(66.68)     | 0.21<br>(0.46) | 1.4         |
| 24<br>(235.35)     | 14.6<br>(143.17)   | 14.6<br>(143.17)   | 0.4<br>(0.88)  | 2.6         |
| 30<br>(294.19)     | 23.8<br>(233.39)   | 23.8<br>(233.39)   | 0.52<br>(1.14) |             |
| 36.8<br>(360.88)   | 22.8<br>(223.59)   | 22.8<br>(223.59)   | 0.57<br>(1.25) | 3.6         |
| 52.9<br>(518.77)   | 45.5<br>(446.20)   | 45.5<br>(446.20)   | 0.72<br>(1.58) |             |
| 67.2<br>(659.00)   | 43.2<br>(423.64)   | 43.2<br>(423.64)   | 1.1<br>(2.42)  | 5.2         |
| 89.6<br>(878.67)   | 75.4<br>(739.42)   | 75.4<br>(739.42)   | 1.4<br>(3.08)  |             |
| 105.4<br>(1033.62) | 62<br>(608.01)     | 62<br>(608.01)     | 1.6<br>(3.52)  | 7.2         |
| 141.1<br>(1383.71) | 109.8<br>(1076.77) | 109.8<br>(1076.77) | 2<br>(4.40)    |             |
| 236.3<br>(2317.31) | 137.8<br>(1351.35) | 137.8<br>(1351.35) | 2.7<br>(5.95)  | 12.3        |
| 292.5<br>(2868.44) | 210.9<br>(2068.22) | 210.9<br>(2068.22) | 3.6<br>(7.93)  |             |

BEARINGS

BEARINGS



\*\* Unit  
 kgf= kilogram-force  
 1 kgf = 9.806 Newton  
 C = dynamic charge  
 C0 = static charge

BEARINGS

BEARINGS

# LINEAR GUIDEWAY

BRC-R0/LR, BRD-R0/LR



| Model   | Assembly     |              |                |               | BR block        |                      |          | BR block        |          |                |                | BR rail      |              |               |                                 |
|---------|--------------|--------------|----------------|---------------|-----------------|----------------------|----------|-----------------|----------|----------------|----------------|--------------|--------------|---------------|---------------------------------|
|         | mm (in)      |              |                |               | mm (in)         |                      |          | mm (in)         |          |                |                | mm (in)      |              |               |                                 |
|         | H            | W            | W2             | E             | L               | BxJ                  | MQxl     | L1              | Oil hole | T1             | (N)            | W1           | H1           | F             | dxDxh                           |
| BRC15R0 | 28<br>(1.10) | 34<br>(1.33) | 9.5<br>(0.37)  | 4.6<br>(0.18) | 66<br>(2.59)    | 26x26<br>(1.02X1.02) | M4x6     | 40<br>(1.57)    | Ø3       | 8.3<br>(0.32)  | 5<br>(0.19)    | 15<br>(0.59) | 14<br>(0.55) | 60<br>(2.36)  | 4.5x7.5x5.8<br>(0.17X0.29X0.22) |
| BRD15R0 |              |              |                |               | 56<br>(2.20)    |                      |          |                 |          |                |                |              |              |               |                                 |
| BRC20R0 | 30<br>(1.18) | 44<br>(1.73) | 12<br>(0.47)   | 5<br>(0.19)   | 77.8<br>(3.06)  | 32x36<br>(1.25X1.41) | M5x8     | 48.8<br>(1.88)  | M6x1     | 7<br>(0.27)    | 15.6<br>(0.61) | 20<br>(0.78) | 18<br>(0.70) | 60<br>(2.36)  | 6x9.5x9.0<br>(0.23X0.37X0.35)   |
| BRD20R0 |              |              |                |               | 67.8<br>(2.66)  |                      |          |                 |          |                |                |              |              |               |                                 |
| BRC20LR |              |              |                |               | 92.4<br>(3.63)  | 32x50<br>(1.41X1.96) |          |                 |          |                |                |              |              |               |                                 |
| BRD20LR |              |              |                |               | 82.4<br>(3.24)  |                      |          |                 |          |                |                |              |              |               |                                 |
| BRC25R0 | 40<br>(1.57) | 48<br>(1.88) | 12.5<br>(0.49) | 7<br>(0.27)   | 88<br>(3.46)    | 35x35<br>(1.37X1.37) | M6x10    | 57<br>(2.24)    | M6x1     | 11.8<br>(0.46) | 15.6<br>(0.61) | 23<br>(0.90) | 22<br>(0.86) | 60<br>(2.36)  | 7x11x9.5<br>(0.27X0.43X0.37)    |
| BRD25R0 |              |              |                |               | 78<br>(3.07)    |                      |          |                 |          |                |                |              |              |               |                                 |
| BRC25LR |              |              |                |               | 110.1<br>(4.33) | 35x50<br>(1.37X1.96) |          |                 |          |                |                |              |              |               |                                 |
| BRD25LR |              |              |                |               | 100.1<br>(3.94) |                      |          |                 |          |                |                |              |              |               |                                 |
| BRC30R0 | 45<br>(1.77) | 60<br>(2.36) | 16<br>(0.62)   | 9<br>(0.35)   | 109<br>(4.29)   | 40x40<br>(1.57X1.57) | M8x13    | 72<br>(2.83)    | M6x1     | 10<br>(0.39)   | 15.6<br>(0.61) | 28<br>(1.10) | 26<br>(1.02) | 60<br>(2.36)  | 9x14x12.5<br>(0.35X0.55X0.49)   |
| BRD30R0 |              |              |                |               | 99<br>(3.89)    |                      |          |                 |          |                |                |              |              |               |                                 |
| BRC30LR |              |              |                |               | 131.3<br>(5.16) | 40x60<br>(1.57X2.36) |          |                 |          |                |                |              |              |               |                                 |
| BRD30LR |              |              |                |               | 121.3<br>(4.77) |                      |          |                 |          |                |                |              |              |               |                                 |
| BRD35R0 | 55<br>(2.16) | 70<br>(2.75) | 18<br>(0.70)   | 9.5<br>(0.37) | 109<br>(4.29)   | 50x50<br>(1.96X1.96) | M8x13    | 80<br>(3.14)    | M6x1     | 15<br>(0.59)   | 15.6<br>(0.61) | 34<br>(1.33) | 29<br>(1.14) | 80<br>(3.14)  | 9x14x12.5<br>(0.35X0.55X0.49)   |
| BRD35LR |              |              |                |               | 134.8<br>(5.30) | 50x72<br>(1.96X2.83) |          | 105.8<br>(4.16) |          |                |                |              |              |               |                                 |
| BRD45R0 | 70<br>(2.75) | 86<br>(3.38) | 20.5<br>(0.80) | 14<br>(0.55)  | 138.2<br>(5.44) | 60x60<br>(2.36X2.36) | M10x16.5 | 105<br>(4.13)   | M8x1     | 18.5<br>(0.72) | 16<br>(0.62)   | 45<br>(1.77) | 38<br>(1.49) | 105<br>(4.13) | 14x20x17.5<br>(0.55X0.78X0.68)  |
| BRD45LR |              |              |                |               | 163<br>(6.41)   | 60x80<br>(2.36X3.14) |          | 129.8<br>(5.11) |          |                |                |              |              |               |                                 |

BEARINGS

BEARINGS

# LINEAR GUIDEWAY

BRC-R0/LR, BRD-R0/LR



| Model   | Ref data         |                | Basic load rating  |                     |
|---------|------------------|----------------|--------------------|---------------------|
|         | mm (in)          |                | (kgf) (N)          |                     |
|         | Lmax.            | G              | Dynamic (C)        | Static (Co)         |
| BRC15R0 | 4000<br>(157.47) | 20<br>(0.78)   | 850<br>(8335.65)   | 1350<br>(13238.98)  |
| BRD15R0 |                  |                |                    |                     |
| BRC20R0 | 4000<br>(157.47) | 20<br>(0.78)   | 1400<br>(13729.31) | 2400<br>(23535.96)  |
| BRD20R0 |                  |                |                    |                     |
| BRC20LR |                  |                | 1650<br>(16180.97) | 3000<br>(29419.95)  |
| BRD20LR |                  |                |                    |                     |
| BRC25R0 | 4000<br>(157.47) | 20<br>(0.78)   | 1950<br>(19122.97) | 3200<br>(31381.28)  |
| BRD25R0 |                  |                |                    |                     |
| BRC25LR |                  |                | 2600<br>(25497.29) | 4600<br>(45110.59)  |
| BRD25LR |                  |                |                    |                     |
| BRC30R0 | 4000<br>(157.47) | 20<br>(0.78)   | 2850<br>(27948.95) | 4800<br>(47071.92)  |
| BRD30R0 |                  |                |                    |                     |
| BRC30LR |                  |                | 3600<br>(35303.94) | 6400<br>(62762.56)  |
| BRD30LR |                  |                |                    |                     |
| BRD35R0 | 4000<br>(157.47) | 20<br>(0.78)   | 3850<br>(37755.6)  | 6200<br>(60801.23)  |
| BRD35LR |                  |                | 4800<br>(47071.92) | 8300<br>(81395.19)  |
| BRD45R0 | 4000<br>(157.47) | 22.5<br>(0.88) | 6500<br>(63743.22) | 10500<br>(102969.8) |
| BRD45LR |                  |                | 7700<br>(75511.21) | 13000<br>(127486.5) |

| Static moment      |                    |                    | Weight         |             |
|--------------------|--------------------|--------------------|----------------|-------------|
| (kgf*m) (Nm)       |                    |                    | kg (lb)        |             |
| Mx                 | My                 | Mz                 | Block          | Rail (kg/m) |
| 10.1<br>(99.04)    | 6.8<br>(66.68)     | 6.8<br>(66.68)     | 0.19<br>(0.41) | 1.4         |
| 24<br>(235.35)     | 14.6<br>(143.17)   | 14.6<br>(143.17)   | 0.31<br>(0.68) | 2.6         |
| 30<br>(294.19)     | 23.8<br>(233.39)   | 23.8<br>(233.39)   | 0.47<br>(1.03) |             |
| 36.8<br>(360.88)   | 22.8<br>(223.59)   | 22.8<br>(223.59)   | 0.45<br>(0.99) | 3.6         |
| 52.9<br>(518.77)   | 45.5<br>(446.20)   | 45.5<br>(446.20)   | 0.56<br>(1.23) |             |
| 67.2<br>(659.00)   | 43.2<br>(423.64)   | 43.2<br>(423.64)   | 0.91<br>(2.00) | 5.2         |
| 89.6<br>(878.67)   | 75.4<br>(739.42)   | 75.4<br>(739.42)   | 1.2<br>(2.64)  |             |
| 105.4<br>(1033.62) | 62<br>(608.01)     | 62<br>(608.01)     | 1.5<br>(3.30)  | 7.2         |
| 141.1<br>(1383.71) | 109.8<br>(1076.77) | 109.8<br>(1076.77) | 1.9<br>(4.18)  |             |
| 236.3<br>(2317.31) | 137.8<br>(1351.35) | 137.8<br>(1351.35) | 2.3<br>(5.07)  | 12.3        |
| 292.5<br>(2868.44) | 210.9<br>(2068.22) | 210.9<br>(2068.22) | 2.8<br>(6.17)  |             |

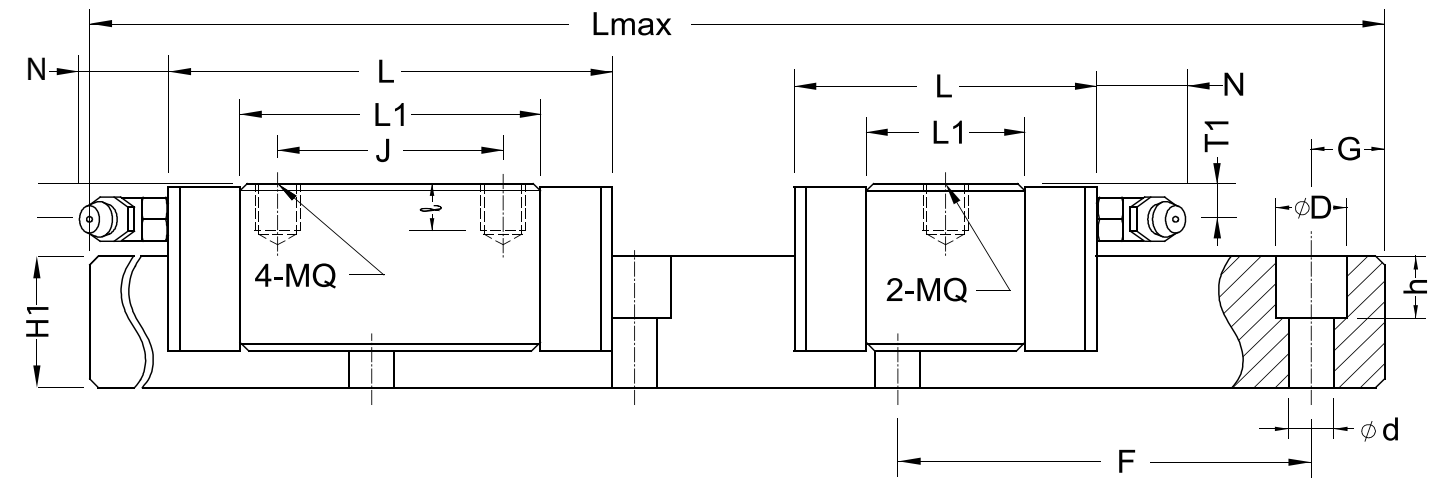
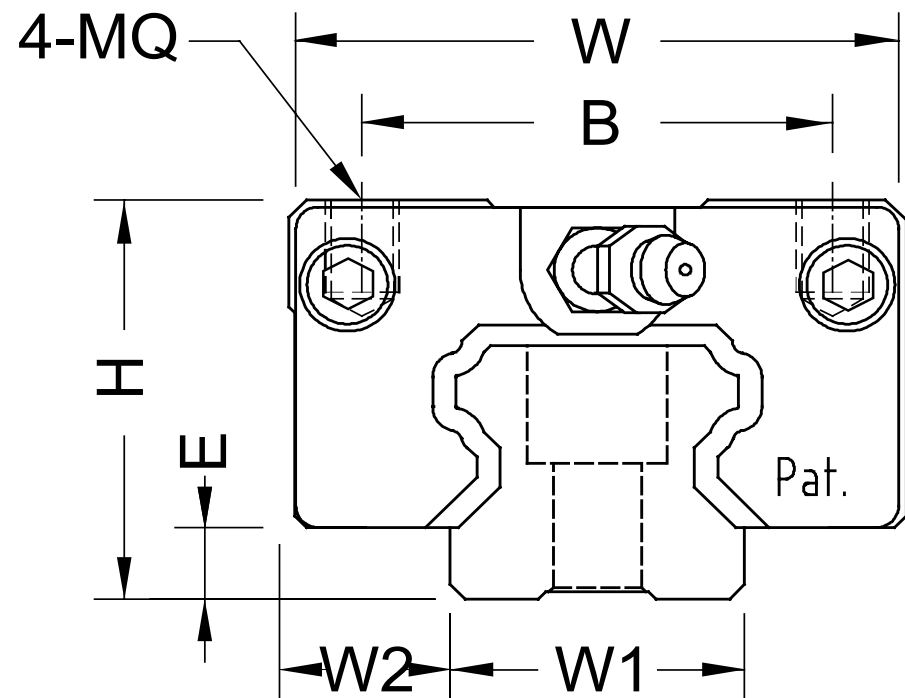
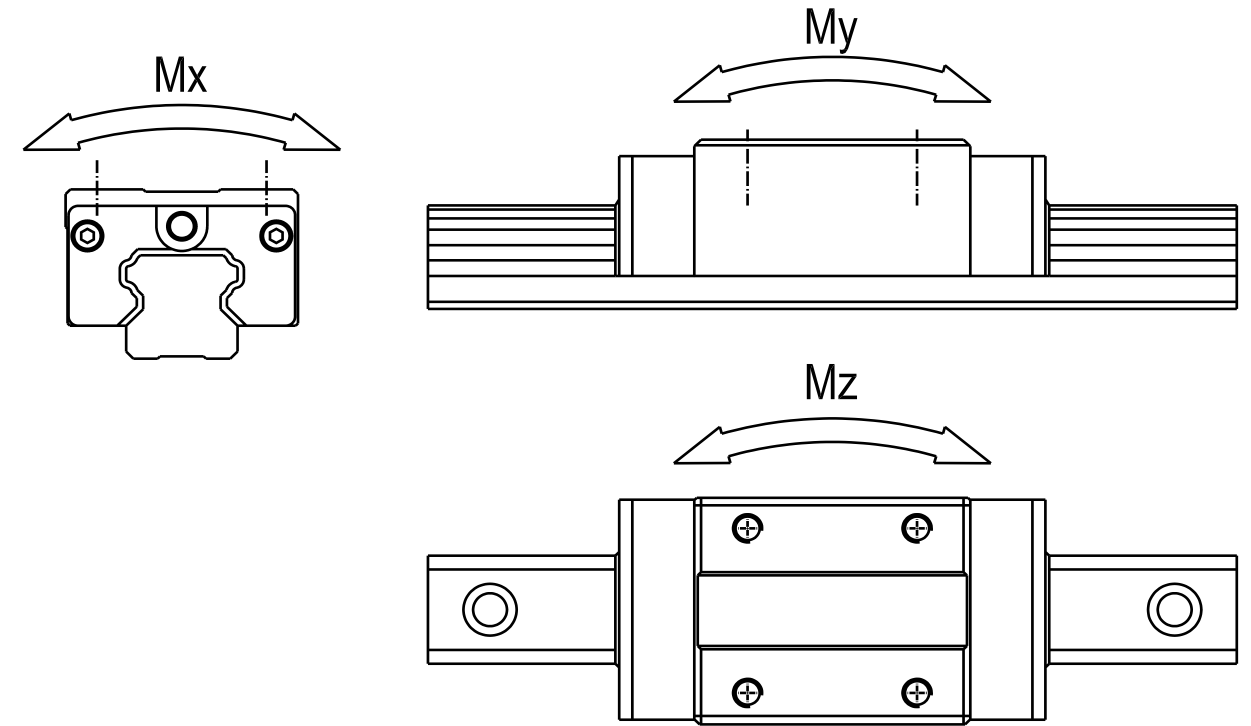
BEARINGS

BEARINGS



# LINEAR GUIDEWAY

BRC-SU/U0, BRD-SU/U0



BEARINGS

BEARINGS

# LINEAR GUIDEWAY

BRC-SU/U0, BRD-SU/U0



| Model   | Assembly     |              |                |               | BR block        |                      |         |
|---------|--------------|--------------|----------------|---------------|-----------------|----------------------|---------|
|         | mm (in)      |              |                |               | mm (in)         |                      |         |
|         | H            | W            | W2             | E             | L               | BxJ                  | MQxl    |
| BRC15U0 | 24<br>(0.94) | 34<br>(1.33) | 9.5<br>(0.37)  | 4.6<br>(0.18) | 66<br>(2.59)    | 26x26<br>(1.02x1.02) | M4x5.6  |
| BRD15U0 |              |              |                |               | 56<br>(2.20)    |                      |         |
| BRC15SU |              |              |                |               | 47.6<br>(1.87)  | 26x-<br>(1.02-)      |         |
| BRD15SU |              |              |                |               | 37.6<br>(1.48)  |                      |         |
| BRC20U0 | 28<br>(1.10) | 42<br>(1.65) | 11<br>(0.43)   | 5<br>(0.19)   | 77.8<br>(3.06)  | 32x32<br>(1.25x1.25) | M5x6.4  |
| BRD20U0 |              |              |                |               | 67.8<br>(2.66)  |                      |         |
| BRC20SU |              |              |                |               | 57<br>(2.24)    | 32x-<br>(1.25-)      |         |
| BRD20SU |              |              |                |               | 47<br>(1.85)    |                      |         |
| BRC25U0 | 33<br>(1.29) | 48<br>(1.88) | 12.5<br>(0.49) | 7<br>(0.27)   | 88<br>(3.46)    | 35x35<br>(1.37x1.37) | M6x8    |
| BRD25U0 |              |              |                |               | 78<br>(3.07)    |                      |         |
| BRC25SU |              |              |                |               | 62.5<br>(2.46)  | 35x-<br>(1.37-)      |         |
| BRD25SU |              |              |                |               | 52.5<br>(2.06)  |                      |         |
| BRC30U0 | 42<br>(1.65) | 60<br>(2.36) | 16<br>(0.62)   | 9<br>(0.35)   | 109<br>(4.29)   | 40x40<br>(1.57x1.57) | M8x11.5 |
| BRD30U0 |              |              |                |               | 99<br>(3.89)    |                      |         |
| BRC30SU |              |              |                |               | 75.6<br>(2.97)  | 40x-<br>(1.57-)      |         |
| BRD30SU |              |              |                |               | 65.6<br>(2.58)  |                      |         |
| BRD35U0 | 48<br>(1.88) | 70<br>(2.75) | 18<br>(0.70)   | 9.5<br>(0.37) | 109<br>(4.29)   | 50x50<br>(1.96x1.96) | M8x11.2 |
| BRD35SU |              |              |                |               | 74.7<br>(2.94)  | 50x-<br>(1.96-)      |         |
| BRD45U0 | 60<br>(2.36) | 86<br>(3.38) | 20.5<br>(0.80) | 14<br>(0.55)  | 138.2<br>(5.44) | 60x60<br>(2.36x2.36) | M10x13  |

| BR block       |          |               |                | BR rail      |              |               |                                 |
|----------------|----------|---------------|----------------|--------------|--------------|---------------|---------------------------------|
| mm (in)        |          |               |                | mm (in)      |              |               |                                 |
| L1             | Oil hole | T1            | (N)            | W1           | H1           | F             | dxDxh                           |
| 40<br>(1.57)   | Ø3       | 4.3<br>(0.16) | 5<br>(0.19)    | 15<br>(0.59) | 14<br>(0.55) | 60<br>(2.36)  | 4.5x7.5x5.8<br>(0.17x0.29x0.22) |
| 21.6<br>(0.85) |          |               |                |              |              |               |                                 |
| 48.8<br>(1.92) | M6x1     | 5<br>(0.19)   | 15.6<br>(0.61) | 20<br>(0.78) | 18<br>(0.70) | 60<br>(2.36)  | 6x9.5x9.0<br>(0.23x0.37x0.35)   |
| 28<br>(1.10)   |          |               |                |              |              |               |                                 |
| 57<br>(2.24)   | M6x1     | 4.8<br>(0.18) | 15.6<br>(0.61) | 23<br>(0.90) | 22<br>(0.86) | 60<br>(2.36)  | 7x11x9.5<br>(0.27x0.43x0.37)    |
| 31.5<br>(1.24) |          |               |                |              |              |               |                                 |
| 72<br>(2.83)   | M6x1     | 7<br>(0.27)   | 15.6<br>(0.61) | 28<br>(1.10) | 26<br>(1.02) | 80<br>(3.14)  | 9x14x12.5<br>(0.35x0.55x0.49)   |
| 38.6<br>(1.51) |          |               |                |              |              |               |                                 |
| 80<br>(3.14)   | M6x1     | 8<br>(0.31)   | 15.6<br>(0.61) | 34<br>(1.33) | 29<br>(1.14) | 80<br>(3.14)  | 9x14x12.5<br>(0.35x0.55x0.49)   |
| 45.7<br>(1.79) |          |               |                |              |              |               |                                 |
| 105<br>(4.13)  | M8x1     | 8.5<br>(0.33) | 16<br>(0.62)   | 45<br>(1.77) | 38<br>(1.49) | 105<br>(4.13) | 14x20x17.5<br>(0.55x0.78x0.68)  |

BEARINGS

BEARINGS

# LINEAR GUIDEWAY

BRC-SU/U0, BRD-SU/U0



| Model   | Ref data         |                | Basic load rating  |                     |
|---------|------------------|----------------|--------------------|---------------------|
|         | mm (in)          |                | (kgf) (N)          |                     |
|         | Lmax.            | G              | Dynamique (C)      | Statique (Co)       |
| BRC15U0 | 4000<br>(157.47) | 20<br>(0.78)   | 850<br>(8335.65)   | 1350<br>(13238.98)  |
| BRD15U0 |                  |                |                    |                     |
| BRC15SU |                  |                | 520<br>(5099.45)   | 680<br>(6668.52)    |
| BRD15SU |                  |                |                    |                     |
| BRC20U0 | 4000<br>(157.47) | 20<br>(0.78)   | 1400<br>(13729.31) | 2400<br>(23535.96)  |
| BRD20U0 |                  |                |                    |                     |
| BRC20SU |                  |                | 950<br>(9316.31)   | 1400<br>(13729.31)  |
| BRD20SU |                  |                |                    |                     |
| BRC25U0 | 4000<br>(157.47) | 20<br>(0.78)   | 1950<br>(19122.97) | 3200<br>(31381.28)  |
| BRD25U0 |                  |                |                    |                     |
| BRC25SU |                  |                | 1250<br>(12258.31) | 1750<br>(17161.64)  |
| BRD25SU |                  |                |                    |                     |
| BRC30U0 | 4000<br>(157.47) | 20<br>(0.78)   | 2850<br>(27948.95) | 4800<br>(47071.92)  |
| BRD30U0 |                  |                |                    |                     |
| BRC30SU |                  |                | 1750<br>(17161.64) | 2400<br>(23535.96)  |
| BRD30SU |                  |                |                    |                     |
| BRD35U0 | 4000<br>(157.47) | 20<br>(0.78)   | 3850<br>(37755.6)  | 6200<br>(60801.23)  |
| BRD35SU |                  |                | 2500<br>(24516.63) | 3650<br>(35794.27)  |
| BRD45U0 | 4000<br>(157.47) | 22.5<br>(0.88) | 6500<br>(63743.22) | 10500<br>(102969.8) |

| Static moment      |                    |                    | Weight         |             |
|--------------------|--------------------|--------------------|----------------|-------------|
| (kgf*m) (Nm)       |                    |                    | kg (lb)        |             |
| Mx                 | My                 | Mz                 | Block          | Rail (kg/m) |
| 10.1<br>(99.04)    | 6.8<br>(66.68)     | 6.8<br>(66.68)     | 0.17<br>(0.37) | 1.4         |
| 5.1<br>(50.01)     | 1.8<br>(17.65)     | 1.8<br>(17.65)     | 0.1<br>(0.22)  |             |
| 24<br>(235.35)     | 14.6<br>(143.17)   | 14.6<br>(143.17)   | 0.26<br>(0.57) | 2.6         |
| 7<br>(68.64)       | 4.9<br>(48.05)     | 4.9<br>(48.05)     | 0.17<br>(0.37) |             |
| 36.8<br>(360.88)   | 22.8<br>(223.59)   | 22.8<br>(223.59)   | 0.38<br>(0.83) | 3.6         |
| 17.5<br>(171.61)   | 6.9<br>(67.66)     | 6.9<br>(67.66)     | 0.21<br>(0.46) |             |
| 67.2<br>(659.00)   | 43.2<br>(423.64)   | 43.2<br>(423.64)   | 0.81<br>(1.78) | 5.2         |
| 33.6<br>(329.50)   | 11.6<br>(113.75)   | 11.6<br>(113.75)   | 0.48<br>(1.05) |             |
| 105.4<br>(1033.62) | 62<br>(608.01)     | 62<br>(608.01)     | 1.2<br>(2.64)  | 7.2         |
| 62.1<br>(608.99)   | 20.9<br>(204.95)   | 20.9<br>(204.95)   | 0.8<br>(1.76)  |             |
| 236.3<br>(2317.31) | 137.8<br>(1351.35) | 137.6<br>(1349.39) | 2.1<br>(4.62)  | 12.3        |

BEARINGS

BEARINGS

# CHAINS

---

- Good corrosion resistance
- High-quality
- More resistant to wear





# TABLE OF CONTENTS

---

## ROLLER CHAINS – CNX

|   |     |
|---|-----|
| Roller chain – ANSI standard .....        | 190 |
| Double pitch ANSI standard – Type A ..... | 192 |
| Double pitch ANSI standard – Type C ..... | 194 |
| O-ring .....                              | 196 |
| ANSI standard – Type HD .....             | 198 |
| Conveyor roller chain .....               | 200 |

## PINTLE CHAINS

|                    |     |
|--------------------|-----|
| Pintle chain ..... | 204 |
| Attachments .....  | 206 |
| Flat bar .....     | 207 |

## COMBINATION CHAINS

|                          |     |
|--------------------------|-----|
| Combination chains ..... | 212 |
|--------------------------|-----|

## WELDED CHAINS

|                                 |     |
|---------------------------------|-----|
| Grade 30 proof coil chain ..... | 216 |
| Grade 43 high test chain .....  | 216 |
| Grade 70 transport chain .....  | 216 |
| Grade 80 alloy chain .....      | 217 |
| Grade 100 alloy chain .....     | 217 |

## ROLLER CHAINS



These superior-quality chains are designed to withstand the shocks and vibrations generated by machinery used in agriculture, construction and the industrial sector.

- Good corrosion resistance
- Superior quality at an affordable price
- 30% more resistant to fatigue due to the steel's quality
- Meets ISO/ASME/ANSI standards



# ROLLER CHAINS

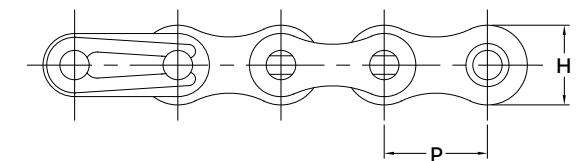
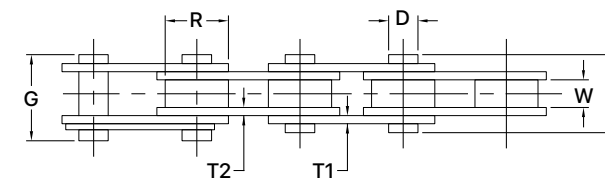
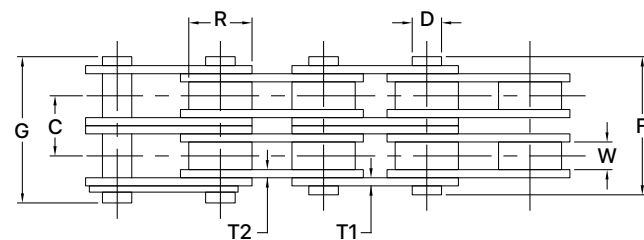
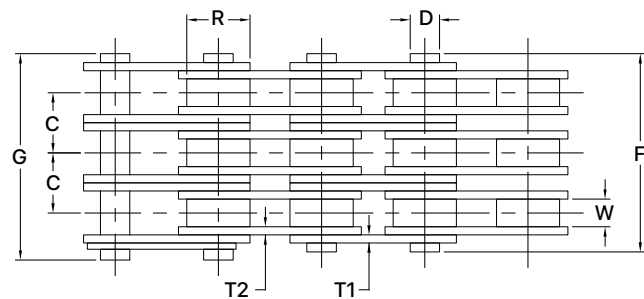
## ROLLER CHAIN – ANSI STANDARD



| Chain no. | Pitch   |         | Chain width<br>W (min.)<br>mm | Roller width<br>R (max.)<br>mm | Plate height<br>H (max.)<br>mm | Plate thickness |          | Pin diameter   |                |                |
|-----------|---------|---------|-------------------------------|--------------------------------|--------------------------------|-----------------|----------|----------------|----------------|----------------|
|           | P<br>in | P<br>mm |                               |                                |                                | T1<br>mm        | T2<br>mm | D (max.)<br>mm | F (max.)<br>mm | G (max.)<br>mm |
| 25-1      | 1/4     | 6.35    | 3.10                          | 3.30                           | 6.02                           | 0.80            | 0.80     | 2.31           | 9.1            | 11.6           |
| 25-2*     | 1/4     | 6.35    | 3.10                          | 3.30                           | 6.02                           | 0.80            | 0.80     | 2.31           | 15.5           | 16.0           |
| 25-3*     | 1/4     | 6.35    | 3.18                          | 3.30                           | 6.00                           | 0.80            | 0.80     | 2.31           | 21.0           | 21.5           |
| 35-1      | 3/8     | 9.525   | 4.68                          | 5.08                           | 9.05                           | 1.30            | 1.30     | 3.6            | 13.2           | 14.17          |
| 35-2*     | 3/8     | 9.525   | 4.68                          | 5.08                           | 9.05                           | 1.30            | 1.30     | 3.6            | 23.4           | 24.3           |
| 35-3*     | 3/8     | 9.525   | 4.77                          | 5.08                           | 9.05                           | 1.30            | 1.30     | 3.58           | 32.7           | 33.5           |
| 41*       | 1/2     | 12.70   | 6.25                          | 7.77                           | 9.91                           | 1.30            | 1.30     | 3.6            | 14.0           | 15.50          |
| 40-1      | 1/2     | 12.70   | 7.85                          | 7.92                           | 12.07                          | 1.50            | 1.50     | 3.98           | 17.8           | 18.80          |
| 40-2*     | 1/2     | 12.70   | 7.85                          | 7.92                           | 12.07                          | 1.50            | 1.50     | 3.98           | 31.0           | 34.2           |
| 40-3*     | 1/2     | 12.70   | 7.85                          | 7.95                           | 12.07                          | 1.50            | 1.50     | 3.96           | 45.4           | 46.6           |
| 50-1      | 5/8     | 15.875  | 9.40                          | 10.16                          | 15.09                          | 2.0             | 2.0      | 5.09           | 21.8           | 22.60          |
| 50-2*     | 5/8     | 15.875  | 9.40                          | 10.16                          | 15.09                          | 2.0             | 2.0      | 5.09           | 39.9           | 42.0           |
| 50-3*     | 5/8     | 15.875  | 9.40                          | 10.16                          | 15.09                          | 2.0             | 2.0      | 5.09           | 57.9           | 62.0           |
| 60-1      | 3/4     | 19.05   | 12.57                         | 11.91                          | 18.10                          | 2.42            | 2.42     | 5.96           | 26.9           | 27.70          |
| 60-2*     | 3/4     | 19.05   | 12.57                         | 11.91                          | 18.10                          | 2.42            | 2.42     | 5.96           | 49.8           | 51.5           |
| 60-3*     | 3/4     | 19.05   | 12.57                         | 11.91                          | 18.00                          | 2.42            | 2.42     | 5.94           | 71.5           | 73.3           |
| 80-1      | 1       | 25.40   | 15.75                         | 15.88                          | 24.13                          | 3.25            | 3.25     | 7.94           | 33.5           | 35.0           |
| 80-2*     | 1       | 25.40   | 15.75                         | 15.88                          | 24.13                          | 3.25            | 3.25     | 7.94           | 62.7           | 64.3           |
| 80-3*     | 1       | 25.40   | 15.75                         | 15.88                          | 24.10                          | 3.25            | 3.25     | 7.92           | 91.7           | 93.6           |
| 100-1     | 1 1/4   | 31.75   | 18.90                         | 19.05                          | 30.17                          | 4.0             | 4.0      | 9.54           | 41.1           | 44.70          |
| 100-2*    | 1 1/4   | 31.75   | 18.90                         | 19.05                          | 30.17                          | 4.0             | 4.0      | 9.54           | 77.0           | 80.5           |
| 100-3*    | 1 1/4   | 31.75   | 18.90                         | 19.05                          | 30.10                          | 4.0             | 4.0      | 9.53           | 112.2          | 116.3          |
| 120-1     | 1 1/2   | 38.10   | 25.22                         | 22.23                          | 36.20                          | 4.80            | 4.80     | 11.11          | 50.8           | 54.30          |
| 120-2*    | 1 1/2   | 38.10   | 25.22                         | 22.23                          | 36.20                          | 4.80            | 4.80     | 11.11          | 96.3           | 99.7           |
| 120-3*    | 1 1/2   | 38.10   | 25.22                         | 22.23                          | 36.10                          | 4.80            | 4.80     | 11.10          | 141.4          | 145.2          |
| 140-1     | 1 3/4   | 44.45   | 25.22                         | 25.40                          | 42.23                          | 5.60            | 5.60     | 12.71          | 54.9           | 59.0           |
| 140-2*    | 1 3/4   | 44.45   | 25.22                         | 25.40                          | 42.23                          | 5.60            | 5.60     | 12.71          | 103.6          | 110.9          |
| 140-3*    | 1 3/4   | 44.45   | 25.22                         | 25.40                          | 41.00                          | 5.60            | 5.60     | 12.70          | 152.2          | 156.8          |
| 160-1     | 2       | 50.80   | 31.55                         | 28.58                          | 48.26                          | 6.40            | 6.40     | 14.29          | 65.5           | 69.60          |
| 160-2*    | 2       | 50.80   | 31.55                         | 28.58                          | 48.26                          | 6.40            | 6.40     | 14.29          | 124.2          | 128.1          |
| 160-3*    | 2       | 50.80   | 31.55                         | 28.58                          | 48.00                          | 6.40            | 6.40     | 14.29          | 181.8          | 186.6          |

\* Available on request only.

| Transverse pitch<br>C<br>mm | Min. ultimate tensile strength<br>kN/lb | Approx. weight<br>(kg/m) / (lb/ft) | Working load<br>lb |
|-----------------------------|---|------------------------------------|--------------------|
| ---                         | 3.50/795                                | 0.14/0.094                         | 140                |
| 6.40                        | 7.00/1591                               | 0.26/0.1747                        | 240                |
| 6.40                        | 10.5/2386                               | 0.40/0.2687                        | 320                |
| ---                         | 7.90/1795                               | 0.33/0.2217                        | 480                |
| 10.13                       | 15.80/3591                              | 0.69/0.4636                        | 810                |
| 10.13                       | 23.7/5386                               | 1.05/0.70556                       | 1200               |
| ---                         | 6.67/1516                               | 0.41/0.2755                        | 500                |
| ---                         | 14.10/3205                              | 0.63/0.4233                        | 810                |
| 14.38                       | 28.20/6409                              | 1.19/0.7996                        | 1370               |
| 14.38                       | 42.3/9614                               | 1.77/1.1893                        | 2025               |
| ---                         | 22.20/5045                              | 1.01/0.6789                        | 1400               |
| 18.11                       | 44.40/10091                             | 2.04/1.3708                        | 2380               |
| 18.10                       | 66.73/14982                             | 3.05/2.0495                        | 3500               |
| ---                         | 31.80/7227                              | 1.44/0.9676                        | 1950               |
| 22.78                       | 63.60/14455                             | 3.03/2.0360                        | 3315               |
| 22.78                       | 95.4/21682                              | 4.50/3.023                         | 4875               |
| ---                         | 56.70/12886                             | 2.40/1.6127                        | 3300               |
| 29.29                       | 113.40/25772                            | 5.26/3.5345                        | 5610               |
| 29.29                       | 170.1/38659                             | 7.80/5.2413                        | 8250               |
| ---                         | 88.50/20114                             | 3.74/2.5131                        | 5060               |
| 35.76                       | 177.00/40227                            | 7.51/5.0464                        | 8600               |
| 35.76                       | 265.5/60341                             | 11.20/7.5260                       | 12650              |
| ---                         | 127.00/28864                            | 6.18/4.1527                        | 6800               |
| 45.44                       | 254.00/57727                            | 12.25/8.2316                       | 11560              |
| 45.44                       | 381.0/86591                             | 18.30/12.2970                      | 17000              |
| ---                         | 172.40/39182                            | 7.49/5.0330                        | 9000               |
| 48.87                       | 344.80/78364                            | 14.83/9.9652                       | 15300              |
| 48.87                       | 517.2/117545                            | 22.20/14.9177                      | 22500              |
| ---                         | 226.80/51545                            | 10.10/6.7868                       | 11900              |
| 58.55                       | 453.60/103091                           | 20.04/13.4662                      | 20230              |
| 58.55                       | 680.41/154636                           | 30.20/20.2934                      | 29750              |



# ROLLER CHAINS

## DOUBLE PITCH ANSI STANDARD – TYPE A

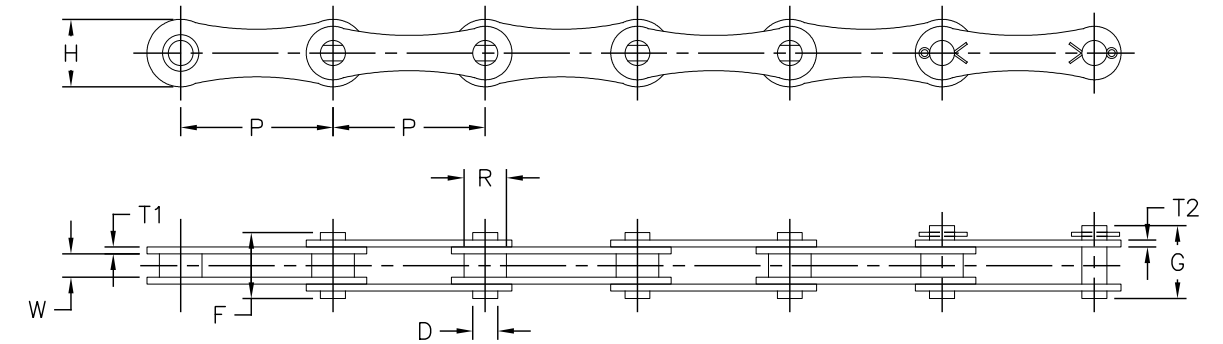


| Chain no. | Pitch   |         | Chain width<br>W (min.)<br>mm | Roller width<br>R (max.)<br>mm | Plate height<br>H (max.)<br>mm | Plate thickness (mm) |      | Pin diameter   |                |                | Pin length     |                |  |
|-----------|---------|---------|-------------------------------|--------------------------------|--------------------------------|----------------------|------|----------------|----------------|----------------|----------------|----------------|--|
|           | P<br>in | P<br>mm |                               |                                |                                | T1                   | T2   | D (max.)<br>mm | F (max.)<br>mm | G (max.)<br>mm | F (max.)<br>mm | G (max.)<br>mm |  |
| A2040*    | 1       | 25.40   | 7.85                          | 7.95                           | 12.07                          | 1.5                  | 1.5  | 3.98           | 17.8           | 18.8           |                |                |  |
| A2050*    | 1 1/4   | 31.75   | 9.40                          | 10.16                          | 15.09                          | 2                    | 2    | 5.09           | 21.8           | 22.6           |                |                |  |
| A2060*    | 1 1/2   | 38.10   | 12.57                         | 11.91                          | 18.10                          | 2.42                 | 2.42 | 5.96           | 26.9           | 27.7           |                |                |  |
| A2080*    | 2       | 50.80   | 15.75                         | 15.88                          | 24.13                          | 3.25                 | 3.25 | 7.94           | 33.5           | 35.0           |                |                |  |
| A2080H**  | 2       | 50.80   | 15.75                         | 15.88                          | 24.13                          | 4.0                  | 4.0  | 7.92           | 36.2           | 39.4           |                |                |  |
| A2100**   | 2 1/2   | 63.50   | 18.90                         | 19.05                          | 30.17                          | 4.0                  | 4.0  | 9.54           | 41.1           | 44.7           |                |                |  |
| A2120**   | 3       | 76.20   | 25.22                         | 22.23                          | 36.20                          | 4.80                 | 4.80 | 11.11          | 50.8           | 54.3           |                |                |  |

\* This type of chain is available on demand only.

\*\* This type of chain can be developed on demand only.

| Tranverse pitch<br>C<br>mm | Min. ultimate tensile strength<br>kN/lb | Approx. weight<br>(kg/m) / (lb/ft) | Working load<br>lb |
|----------------------------|---|------------------------------------|--------------------|
| ---                        | 14.1/3172                               | 0.42/0.282                         | 595                |
| ---                        | 22.2/4994                               | 0.73/0.4905                        | 970                |
| ---                        | 31.8/7154                               | 1.02/0.6854                        | 2200               |
| ---                        | 56.7/12755                              | 1.70/1.1423                        | N/A                |
| ---                        | 59.7/13430                              | 2.17/1.4582                        | 2400               |
| ---                        | 88.5/19909                              | 2.55/1.7135                        | 3840               |
| ---                        | 127.0/28570                             | 4.06/2.7282                        | 5380               |



# ROLLER CHAINS

## DOUBLE PITCH ANSI STANDARD – TYPE C

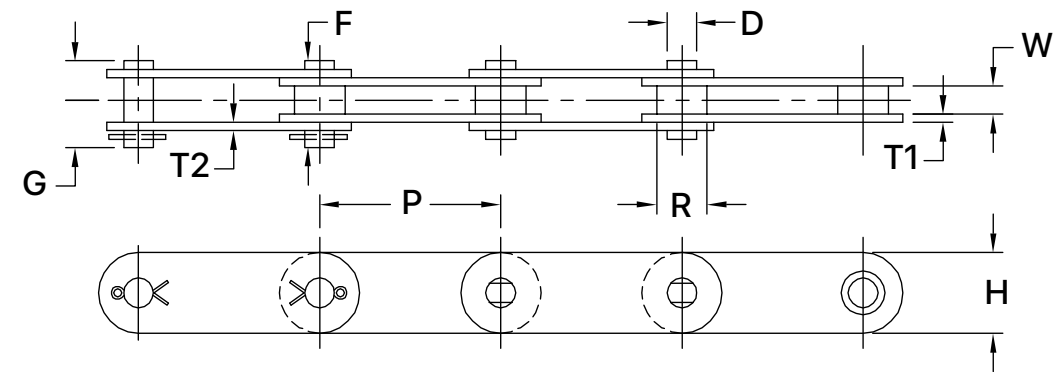


| Chain no. | Pitch   |         | Chain width<br>W (min.)<br>mm | Roller width<br>R (max.)<br>mm | Plate height<br>H (max.)<br>mm | Plate thickness |          | Pin diameter   |                |                |
|-----------|---------|---------|-------------------------------|--------------------------------|--------------------------------|-----------------|----------|----------------|----------------|----------------|
|           | P<br>in | P<br>mm |                               |                                |                                | T1<br>mm        | T2<br>mm | D (max.)<br>mm | F (max.)<br>mm | G (max.)<br>mm |
| C2040*    | 1       | 25.40   | 7.85                          | 7.95                           | 12.07                          | 1.5             | 1.5      | 3.98           | 17.8           | 18.8           |
| C2040H**  | 1       | 25.40   | 7.85                          | 7.95                           | 12.07                          | 2.0             | 2.0      | 3.96           | 18.8           | 19.9           |
| C2042**   | 1       | 25.40   | 7.85                          | 15.88                          | 12.07                          | 1.5             | 1.5      | 3.98           | 17.8           | 18.8           |
| C2050*    | 1 1/4   | 31.75   | 9.40                          | 10.16                          | 15.09                          | 2.0             | 2.0      | 5.09           | 21.8           | 22.6           |
| C2052**   | 1 1/4   | 31.75   | 9.40                          | 19.05                          | 15.09                          | 2.0             | 2.0      | 5.09           | 21.8           | 22.6           |
| C2060*    | 1 1/2   | 38.10   | 12.57                         | 11.91                          | 18.10                          | 2.42            | 2.42     | 5.94           | 25.9           | 27.7           |
| C2060H*   | 1 1/2   | 38.10   | 12.57                         | 10.91                          | 18.10                          | 3.25            | 3.25     | 5.94           | 29.2           | 31.6           |
| C2062*    | 1 1/2   | 38.10   | 12.57                         | 22.23                          | 18.10                          | 2.42            | 2.42     | 5.94           | 25.9           | 27.7           |
| C2062H**  | 1 1/2   | 38.10   | 12.57                         | 22.23                          | 18.10                          | 3.25            | 3.25     | 5.94           | 29.2           | 31.6           |
| C2080*    | 2       | 50.80   | 15.75                         | 15.88                          | 24.13                          | 3.25            | 3.25     | 7.94           | 33.5           | 35.0           |
| C2080H*   | 2       | 50.80   | 15.75                         | 15.88                          | 24.13                          | 4.0             | 4.0      | 7.92           | 36.2           | 39.4           |
| C2082*    | 2       | 50.80   | 15.75                         | 28.58                          | 24.13                          | 3.25            | 3.25     | 7.94           | 33.5           | 35.0           |
| C2082H**  | 2       | 50.80   | 15.75                         | 28.58                          | 24.13                          | 4.0             | 4.0      | 7.92           | 36.2           | 39.4           |
| C2100*    | 2 1/2   | 63.50   | 18.90                         | 19.05                          | 30.17                          | 4.0             | 4.0      | 9.54           | 41.1           | 44.7           |
| C2100H*   | 2 1/2   | 63.50   | 18.90                         | 19.05                          | 30.17                          | 4.8             | 4.8      | 9.54           | 44.5           | 50.6           |
| C2101H**  | 2 1/2   | 63.50   | 18.90                         | 19.05                          | 30.17                          | 4.8             | 4.8      | 9.53           | 43.6           | 46.9           |
| C2012**   | 2 1/2   | 63.50   | 18.90                         | 39.67                          | 30.17                          | 4.0             | 4.0      | 9.54           | 41.1           | 44.7           |
| C2012H**  | 2 1/2   | 63.50   | 18.90                         | 39.67                          | 30.17                          | 4.8             | 4.8      | 9.53           | 43.6           | 46.9           |
| C2120*    | 3       | 76.20   | 25.22                         | 22.23                          | 36.2                           | 4.8             | 4.8      | 11.11          | 50.8           | 54.3           |
| C2120H**  | 3       | 76.20   | 25.22                         | 22.23                          | 36.2                           | 5.60            | 5.60     | 11.10          | 53.5           | 57.5           |
| C2122*    | 3       | 76.20   | 25.22                         | 44.42                          | 36.2                           | 4.8             | 4.8      | 11.11          | 50.8           | 54.3           |
| C2122H**  | 3       | 76.20   | 25.22                         | 44.45                          | 36.2                           | 5.60            | 5.60     | 11.10          | 53.5           | 57.5           |
| C2160*    | 4       | 101.60  | 31.75                         | 28.58                          | 48.26                          | 6.40            | 6.40     | 14.29          | 65.5           | 69.6           |
| C2160H**  | 4       | 101.60  | 31.75                         | 28.58                          | 48.26                          | 7.20            | 7.20     | 14.27          | 68.2           | 73.0           |
| C2162**   | 4       | 101.60  | 31.75                         | 57.15                          | 48.26                          | 6.40            | 6.40     | 14.29          | 65.5           | 69.6           |
| C2162H**  | 4       | 101.60  | 31.75                         | 57.15                          | 48.26                          | 7.20            | 7.20     | 14.27          | 68.2           | 73.0           |

\*This type of chain is available on demand only.

\*\* To develop with the supplier

| Min. ultimate tensile strength | Approx. weight   | Working load |
|--------------------------------|------------------|--------------|
| kN/lb                          | (kg/m) / (lb/ft) | lb           |
| 14.1/3172                      | 0.50/0.3360      | 595          |
| 14.1/3172                      | 0.65/0.4368      | N/A          |
| 14.1/3172                      | 0.84/0.5645      | 595          |
| 22.2/4994                      | 0.78/0.5241      | 970          |
| 22.2/4994                      | 1.27/0.8534      | 970          |
| 31.8/7154                      | 1.12/0.7526      | N/A          |
| 31.8/7154                      | 1.44/0.9676      | 1410         |
| 31.8/7154                      | 1.61/1.0819      | N/A          |
| 31.8/7154                      | 2.07/1.3910      | 1410         |
| 56.7/12755                     | 2.08/1.3977      | N/A          |
| 56.7/12755                     | 2.54/1.7068      | 3600         |
| 56.7/12755                     | 3.12/2.0965      | 2400         |
| 56.7/12755                     | 3.58/2.4056      | 2400         |
| 88.5/19909                     | 3.01/2.0226      | N/A          |
| 88.5/19909                     | 3.50/2.3518      | 3840         |
| 88.5/19909                     | 3.56/2.3922      | N/A          |
| 88.5/19909                     | 4.83/3.2456      | N/A          |
| 88.5/19909                     | 5.38/3.6152      | N/A          |
| 127.0/28570                    | 4.66/3.1314      | N/A          |
| 127.0/28570                    | 5.26/3.5346      | 5380         |
| 127.0/28570                    | 7.66/5.1473      | N/A          |
| 127.0/28570                    | 8.26/5.5505      | 5380         |
| 226.8/51021                    | 8.15/5.4765      | N/A          |
| 226.8/51021                    | 9.06/6.0880      | 9190         |
| 226.8/51021                    | 13.00/8.7356     | N/A          |
| 226.8/51021                    | 13.84/9.3001     | 9190         |



CHAINS

CHAINS



# ROLLER CHAINS

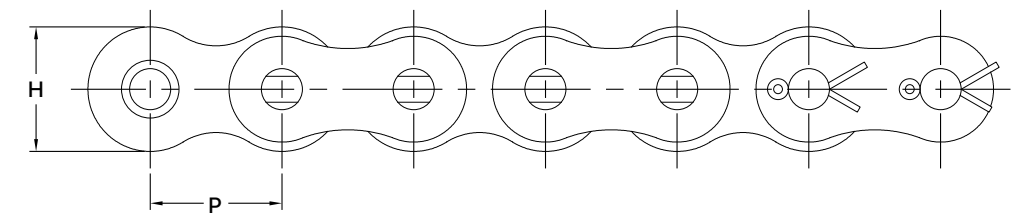
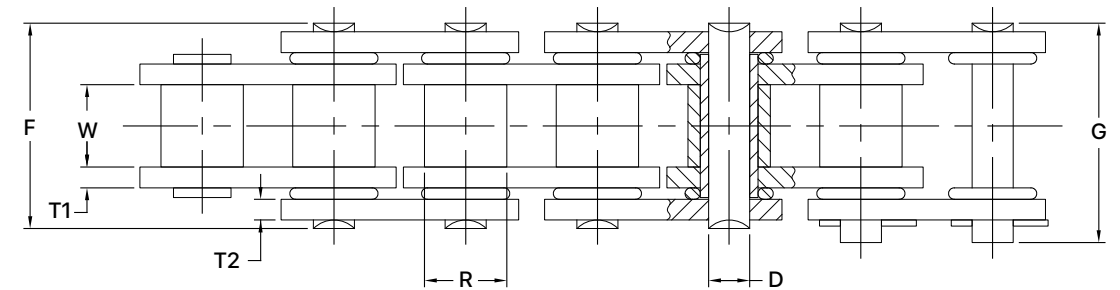
## O-RING



| Chain no.          | Pitch   |         | Chain width<br>W (min.)<br>mm | Roller width<br>R (max.)<br>mm | Plate height<br>H (max.)<br>mm | Plate thickness |          | Pin diameter<br>D (max.)<br>mm | Pin length     |                |
|--------------------|---------|---------|-------------------------------|--------------------------------|--------------------------------|-----------------|----------|--------------------------------|----------------|----------------|
|                    | P<br>in | P<br>mm |                               |                                |                                | T1<br>mm        | T2<br>mm |                                | F (max.)<br>mm | G (max.)<br>mm |
| 40 (o-ring chain)* | 1/2     | 12.700  | 7.85                          | 7.95                           | 12.00                          | 1.50            | 1.50     | 3.96                           | 18.3           | 19.6           |
| 50 (o-ring chain)* | 5/8     | 15.875  | 9.40                          | 10.16                          | 15.09                          | 2.00            | 2.00     | 5.08                           | 23.1           | 24.8           |
| 60(o-ring chain)*  | 3/4     | 19.050  | 12.57                         | 11.91                          | 18.00                          | 2.42            | 2.42     | 5.94                           | 28.5           | 30.4           |
| 80(o-ring chain)*  | 1       | 25.400  | 15.75                         | 15.88                          | 24.00                          | 3.25            | 3.25     | 7.95                           | 35.6           | 37.3           |
| 100(o-ring chain)* | 1 1/4   | 31.750  | 18.95                         | 19.05                          | 30.00                          | 4.00            | 4.00     | 9.53                           | 43.3           | 47.0           |
| 120(o-ring chain)* | 1 1/2   | 38.100  | 25.22                         | 22.23                          | 35.70                          | 4.80            | 4.80     | 11.11                          | 54.0           | 57.5           |

\* This type of chain is available on demand only.

| Min. ultimate tensile strength | Approx. weight   | Working load |
|--------------------------------|------------------|--------------|
| kN/lb                          | (kg/m) / (lb/ft) | lb           |
| 14.1/3172                      | 0.67/0.4502      | 4.7/3172     |
| 22.2/4994                      | 1.19/0.7996      | 7.36/4994    |
| 31.8/7154                      | 1.62/1.0886      | 10.6/7154    |
| 56.7/12755                     | 2.70/1.8143      | 18.9/12755   |
| 88.5/19909                     | 3.94/2.6476      | 29.5/19909   |
| 127.0/28570                    | 127.0/28570      | 42.33/28570  |



# ROLLER CHAINS

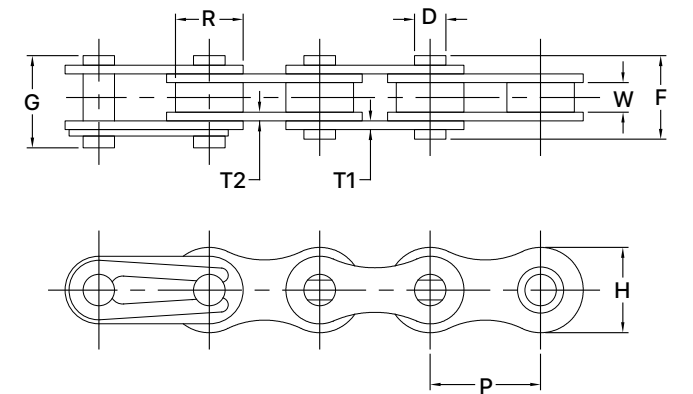
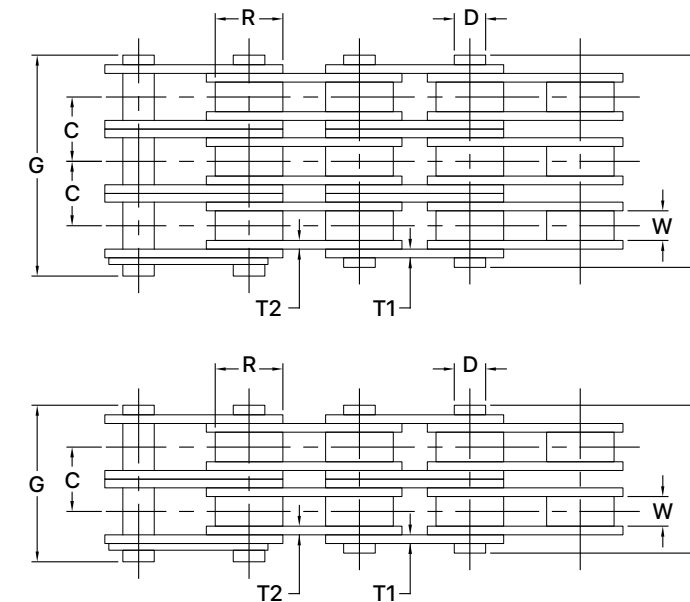
ANSI STANDARD – TYPE HD



| Chain no. | Pitch   |         | Chain width<br>W (min.)<br>mm | Roller width<br>R (max.)<br>mm | Plate height<br>H (max.)<br>mm | Plate thickness |          | Pin diameter   |                |                |
|-----------|---------|---------|-------------------------------|--------------------------------|--------------------------------|-----------------|----------|----------------|----------------|----------------|
|           | P<br>in | P<br>mm |                               |                                |                                | T1<br>mm        | T2<br>mm | D (max.)<br>mm | F (max.)<br>mm | G (max.)<br>mm |
| 60HD-1    | 3/4     | 19.05   | 12.57                         | 11.91                          | 18.00                          | 3.25            | 3.25     | 5.94           | 29.2           | 31.0           |
| 60HD-2*   | 3/4     | 19.05   | 12.57                         | 11.91                          | 18.00                          | 3.25            | 3.25     | 5.94           | 55.3           | 57.1           |
| 60HD-3*   | 3/4     | 19.05   | 12.57                         | 11.91                          | 18.00                          | 3.25            | 3.25     | 5.94           | 81.4           | 83.2           |
| 80HD-1    | 1       | 25.40   | 15.75                         | 15.88                          | 24.00                          | 4.00            | 4.00     | 7.92           | 36.2           | 37.7           |
| 80HD-2*   | 1       | 25.40   | 15.75                         | 15.88                          | 24.00                          | 4.00            | 4.00     | 7.92           | 68.8           | 70.3           |
| 80HD-3*   | 1       | 25.40   | 15.75                         | 15.88                          | 24.00                          | 4.00            | 4.00     | 7.92           | 101.4          | 102.9          |
| 100HD-1   | 1 1/4   | 31.75   | 18.90                         | 19.05                          | 30.00                          | 4.80            | 4.80     | 9.53           | 43.6           | 46.9           |
| 100HD-2*  | 1 1/4   | 31.75   | 18.90                         | 19.05                          | 30.00                          | 4.80            | 4.80     | 9.53           | 82.7           | 86.0           |
| 100HD-3*  | 1 1/4   | 31.75   | 18.90                         | 19.05                          | 30.00                          | 4.80            | 4.80     | 9.53           | 121.8          | 125.1          |
| 120HD-1   | 1 1/2   | 38.10   | 25.22                         | 22.23                          | 35.70                          | 5.60            | 5.60     | 11.10          | 53.5           | 57.5           |
| 120HD-2*  | 1 1/2   | 38.10   | 25.22                         | 22.23                          | 35.70                          | 5.60            | 5.60     | 11.10          | 102.4          | 106.4          |
| 120HD-3*  | 1 1/2   | 38.10   | 25.22                         | 22.23                          | 35.70                          | 5.60            | 5.60     | 11.10          | 151.2          | 155.2          |
| 140HD-1   | 1 3/4   | 44.45   | 25.22                         | 25.40                          | 41.00                          | 6.40            | 6.40     | 12.70          | 57.6           | 62.2           |
| 140HD-2*  | 1 3/4   | 44.45   | 25.22                         | 25.40                          | 41.00                          | 6.40            | 6.40     | 12.70          | 109.8          | 114.1          |
| 140HD-3*  | 1 3/4   | 44.45   | 25.55                         | 25.40                          | 41.00                          | 6.40            | 6.40     | 12.70          | 162.0          | 166.6          |
| 160HD-1   | 2       | 50.80   | 31.55                         | 28.58                          | 47.80                          | 7.20            | 7.20     | 14.27          | 68.2           | 73.0           |
| 160HD-2*  | 2       | 50.80   | 31.55                         | 28.58                          | 47.80                          | 7.20            | 7.20     | 14.27          | 130.1          | 134.9          |
| 160HD-3*  | 2       | 50.80   | 31.55                         | 28.58                          | 47.80                          | 7.20            | 7.20     | 14.27          | 192.8          | 196.8          |

\* This type of chain is available on demand only.

| Transverse pitch<br>C<br>mm | Min. ultimate tensile strength<br>kN/lb | Approx. weight<br>(kg/m) / (lb/ft) | Working load<br>lb |
|-----------------------------|---|------------------------------------|--------------------|
| ---                         | 48.1/10821                              | 1.87/1.2566                        | 16.03/10821        |
| 26.11                       | 96.1/21619                              | 3.71/2.4930                        | 32.03/21619        |
| 26.11                       | 144.0/32394                             | 5.54/3.7227                        | 48/32394           |
| ---                         | 81.5/18334                              | 3.11/2.0898                        | 27.16/18334        |
| 32.59                       | 163.0/36669                             | 6.18/4.1528                        | 54.33/36669        |
| 32.59                       | 244.0/54890                             | 9.42/6.3299                        | 81.33/54890        |
| ---                         | 124.0/27895                             | 4.53/3.0440                        | 41.33/27895        |
| 39.09                       | 247.0/55565                             | 9.03/6.0679                        | 82.33/55565        |
| 39.09                       | 371.0/83461                             | 13.02/8.7490                       | 123.66/83461       |
| ---                         | 167.0/37568                             | 6.60/4.4350                        | 55.66/37568        |
| 48.87                       | 33.0/74912                              | 13.13/8.8230                       | 11/74912           |
| 48.87                       | 500.0/112481                            | 19.64/13.1975                      | 166.66/112481      |
| ---                         | 218.0/49041                             | 8.30/5.5773                        | 72.66/49041        |
| 52.20                       | 435.0/97858                             | 16.60/11.1547                      | 145/97858          |
| 52.20                       | 653.0/146900                            | 24.90/16.7320                      | 217.66/146900      |
| ---                         | 279.0/32764                             | 10.50/7.0557                       | 93/32764           |
| 61.90                       | 555.0/124853                            | 20.20/13.5738                      | 185/124853         |
| 61.90                       | 833.0/187393                            | 30.20/20.2935                      | 277.66/187393      |



CHAINS

CHAINS

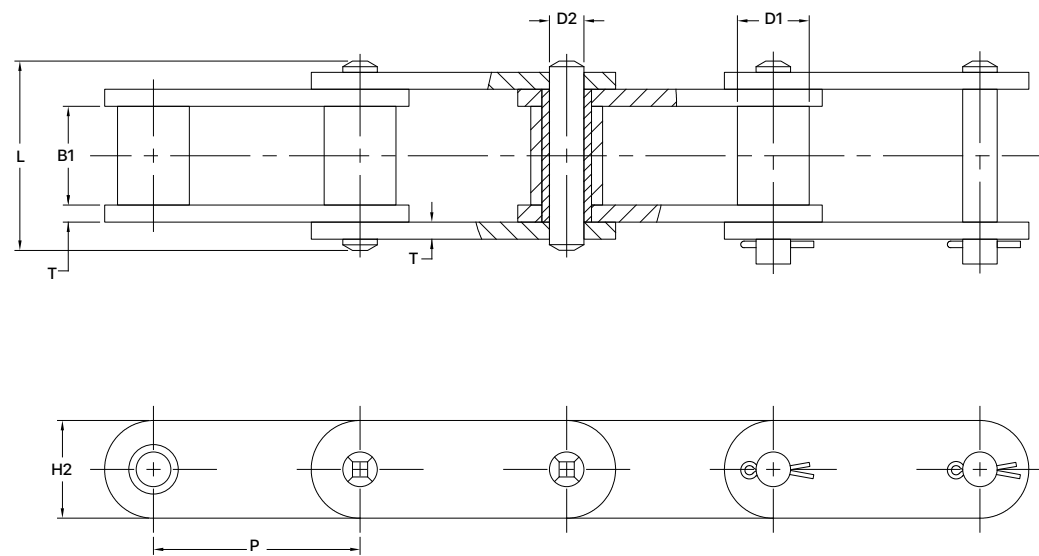


# ROLLER CHAINS

## CONVEYOR ROLLER CHAIN



| Chain no. | Pitch | Roller diameter | Inner width | Pin diameter | Link plate height | Plate thickness | Overall width | Tensile strength |
|-----------|-------|-----------------|-------------|--------------|-------------------|-----------------|---------------|------------------|
|           | P in  | D1 in           | B1 in       | D2 in        | H2 in             | T in            | L in          | lb               |
| 81X       | 2.609 | 0.905           | 1.062       | 0.437        | 1.122             | 0.156           | 1.929         | 28,900           |
| 81XH      | 2.609 | 0.905           | 1.062       | 0.437        | 1.122             | 0.220           | 2.390         | 39,500           |



CONTRIBUTING TO PEOPLE'S QUALITY OF LIFE, EVERY DAY.



CHAINS

CHAINS

# PINTLE CHAINS

Pintle chains are a quality product suitable for a wide range of applications such as salt, sand and fertilizer spreaders, conveyors, trailers with a moving bottom, power systems and spray boxes.

- More resistant to wear
- Good resistance in abrasive environments
- Designed to avoid corrosion problems
- Longer life, better resistance to fatigue
- Interchangeable
- Available with several surface finishes
- Available with several types of attachment and custom attachments





# PINTLE CHAINS

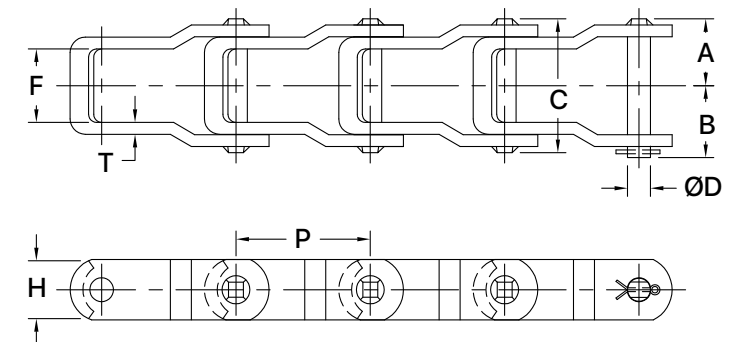
## PINTLE CHAIN

| Chain no.      | Links per 10'<br>(3048 mm) | Approx. weight<br>lb/100' | Average ultimate<br>strength | Minimum ultimate<br>tensile strength | Maximum<br>recommended<br>working load |
|----------------|----------------------------|---------------------------|------------------------------|--------------------------------------|--|
|                |                            | kg/m                      | lb (kN)                      | lb (kN)                              | lb (kN)                                |
| 205*           | 96                         | 39<br>(0.58)              | 4000<br>(17.79)              | 2800<br>(12.45)                      | 560<br>(2.49)                          |
| 662            | 72                         | 105<br>(1.6)              | 11000<br>(48.93)             | 8500<br>(37.81)                      | 1700<br>(7.56)                         |
| 667H           | 52                         | 117<br>(1.7)              | 12500<br>(55.60)             | 9500<br>(42.26)                      | 1900<br>(8.45)                         |
| 667J*          | 53                         | 181<br>(2.7)              | 20000<br>(88.97)             | 14000<br>(62.28)                     | 2800<br>(12.46)                        |
| 667X           | 53                         | 186<br>(2.8)              | 21000<br>(93.42)             | 15000<br>(66.73)                     | 3000<br>(13.35)                        |
| 667XC*         | 53                         | 210<br>(3.1)              | 24000<br>(106.76)            | 18000<br>(80.07)                     | 3600<br>(16.01)                        |
| 667K           | 53                         | 244<br>(3.6)              | 24500<br>(108.99)            | 20000<br>(88.97)                     | 4000<br>(17.79)                        |
| 667KC*         | 53                         | 256<br>(3.8)              | 30000<br>(133.45)            | 24000<br>(106.76)                    | 4800<br>(21.35)                        |
| 667XH          | 53                         | 280<br>(4.2)              | 28000<br>(124.53)            | 21000<br>(93.42)                     | 4200<br>(18.68)                        |
| 88K            | 46                         | 230<br>(3.4)              | 24500<br>(108.99)            | 20000<br>(88.97)                     | 4000<br>(17.79)                        |
| 88C*<br>(88KH) | 46                         | 347<br>(5.2)              | 38000<br>(169.04)            | 30000<br>(133.45)                    | 6000<br>(26.69)                        |
| 308C*          | 39                         | 563<br>(8.4)              | 50000<br>(222.42)            | 40000<br>(177.94)                    | 8000<br>(35.59)                        |
| 58*            | 30                         | 55<br>(0.8)               | 60500<br>(269.13)            | 50000<br>(222.42)                    | 10000<br>(44.47)                       |

\*This type of chain is available on request only.

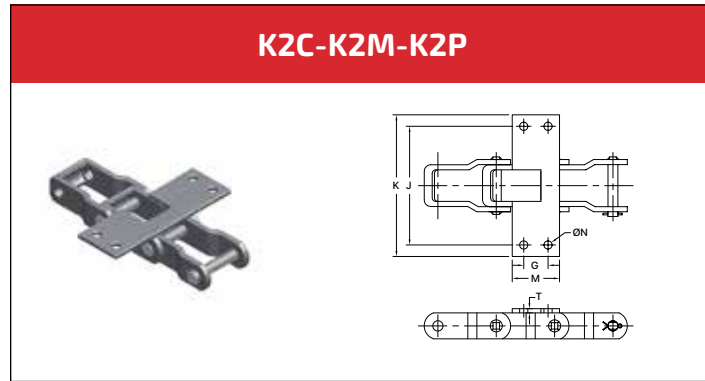
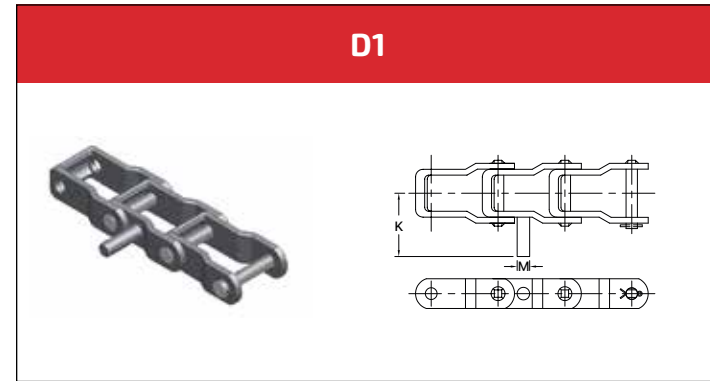
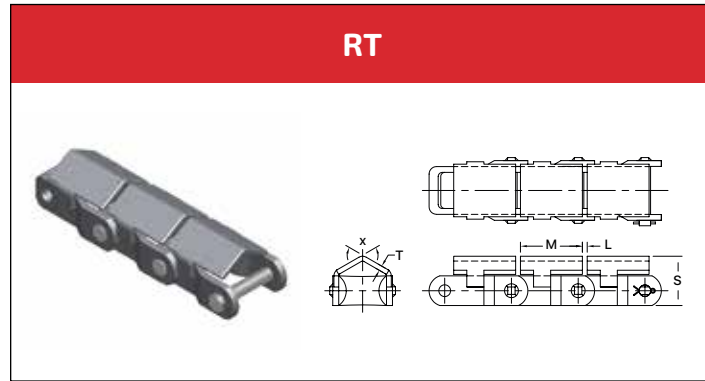
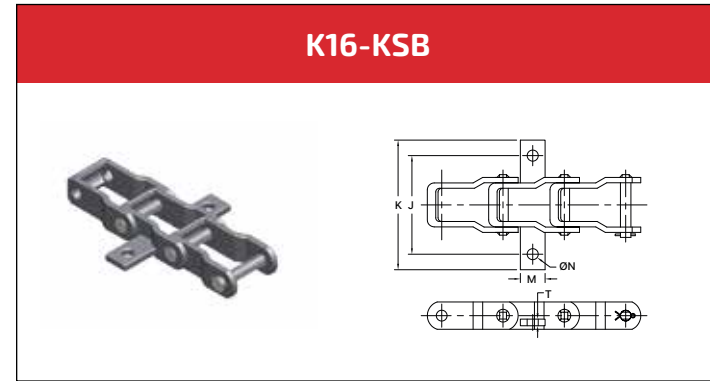
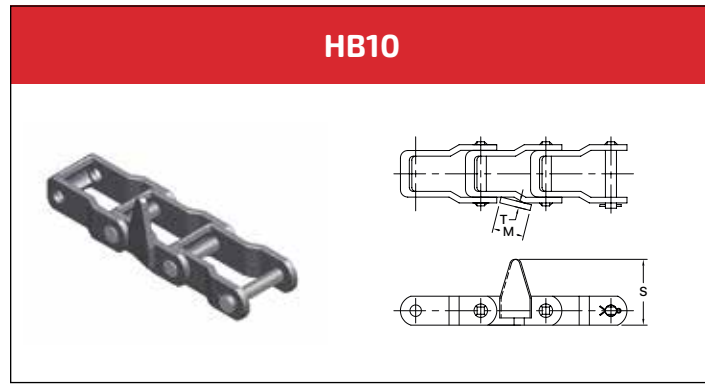
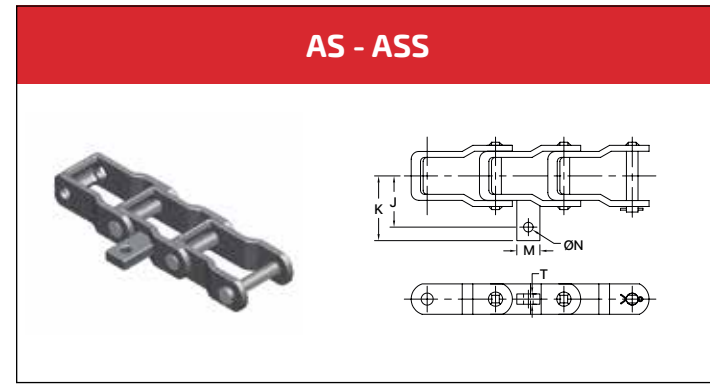


| Dimensions<br>in (mm) |                   |                    |                    |                  |                   |                  |                  |
|-----------------------|-------------------|--------------------|--------------------|------------------|-------------------|------------------|------------------|
| P<br>Pitch            | A                 | B                  | C                  | D                | F                 | H                | T                |
| 1.250<br>(31.75)      | 27/64<br>(10.72)  | 1/2<br>(12.70)     | 27/32<br>(21.43)   | 0.200<br>(5.08)  | 3/8<br>(9.53)     | 0.470<br>(11.94) | 0.080<br>(2.032) |
| 1.664<br>(42.27)      | 51/64<br>(20.24)  | 7/8<br>(22.23)     | 1:5/8<br>(41.28)   | 0.281<br>(7.14)  | 29/32<br>(23.02)  | 0.720<br>(18.29) | 0.125<br>(3.175) |
| 2.313<br>(58.75)      | 7/8<br>(22.23)    | 1:1/32<br>(26.19)  | 1:47/64<br>(44.05) | 0.312<br>(7.94)  | 1<br>(25.40)      | 0.875<br>(22.23) | 0.125<br>(3.175) |
| 2.250<br>(57.15)      | 1:1/32<br>(26.19) | 1:9/64<br>(28.97)  | 2:3/64<br>(51.99)  | 0.375<br>(9.53)  | 1:1/16<br>(26.99) | 0.937<br>(23.80) | 0.170<br>(4.318) |
| 2.250<br>(57.15)      | 1:1/32<br>(26.19) | 1:9/64<br>(28.97)  | 1:61/64<br>(49.61) | 0.437<br>(11.10) | 1:1/16<br>(26.99) | 0.937<br>(23.80) | 0.170<br>(4.318) |
| 2.250<br>(57.15)      | 1:1/32<br>(26.19) | 1:9/64<br>(28.97)  | 1:61/64<br>(49.61) | 0.437<br>(11.10) | 1:1/16<br>(26.99) | 0.937<br>(23.80) | 0.170<br>(4.318) |
| 2.250<br>(57.15)      | 1:1/8<br>(28.58)  | 1:15/64<br>(31.35) | 2:1/8<br>(53.98)   | 0.437<br>(11.10) | 1:5/64<br>(27.38) | 1.062<br>(26.98) | 0.200<br>(5.080) |
| 2.250<br>(57.15)      | 1:1/8<br>(28.58)  | 1:15/64<br>(31.35) | 2:1/8<br>(53.98)   | 0.437<br>(11.10) | 1:5/64<br>(27.38) | 1.062<br>(26.98) | 0.200<br>(5.080) |
| 2.250<br>(57.15)      | 1:1/8<br>(28.58)  | 1:1/4<br>(31.75)   | 2:5/16<br>(58.74)  | 0.469<br>(11.91) | 1:5/64<br>(27.38) | 1.062<br>(26.98) | 0.224<br>(5.690) |
| 2.609<br>(66.27)      | 1:1/8<br>(28.58)  | 1:15/64<br>(31.35) | 2:1/8<br>(53.98)   | 0.437<br>(11.10) | 1:5/64<br>(27.38) | 1.062<br>(26.98) | 0.200<br>(5.080) |
| 2.609<br>(66.27)      | 1:5/16<br>(33.34) | 1:17/32<br>(38.89) | 2:1/2<br>(63.50)   | 0.500<br>(12.70) | 1:1/4<br>(31.75)  | 1.125<br>(28.38) | 0.250<br>(6.350) |
| 3.075<br>(78.11)      | 1:1/2<br>(38.10)  | 1:11/16<br>(42.86) | 2:55/64<br>(72.63) | 0.625<br>(15.88) | 1:9/32<br>(32.54) | 1.500<br>(38.10) | 0.312<br>(7.925) |
| 4.000<br>(101.60)     | 1:3/4<br>(44.45)  | 1:59/64<br>(48.82) | 3:23/64<br>(85.33) | 0.625<br>(15.88) | 2:1/32<br>(51.59) | 1.500<br>(38.10) | 0.310<br>(7.874) |



# PINTLE CHAINS

## ATTACHMENTS



Check with our professionals for more models that will meet your needs.

# PINTLE CHAINS

## FLAT BAR

| Chain no.                | C/C                      | T           | W           | Interval (every link) | First bar position (from link) | NB bars | NB pitch |
|--------------------------|--------------------------|-------------|-------------|-----------------------|--------------------------------|---------|----------|
|                          |                          | in (mm)     | in (mm)     |                       |                                |         |          |
| 662                      | Width to suit your needs | 3/16 (4.76) | 3/4 (19.05) | 3                     | 2                              | 30      | 91       |
|                          | Width to suit your needs | 3/16 (4.76) | 3/4 (19.05) | 3                     | 2                              | 31      | 93       |
|                          |                          | 3/16 (4.76) | 3/4 (19.05) | 3                     | 2                              | 40      | 121      |
|                          | Width to suit your needs | 3/16 (4.76) | 3/4 (19.05) | 3                     | 2                              | 41      | 123      |
|                          | Width to suit your needs | 3/16 (4.76) | 3/4 (19.05) | 3                     | 2                              | 41      | 123      |
| Width to suit your needs | 3/16 (4.76)              | 3/4 (19.05) | 3           | 2                     | 41                             | 123     |          |
|                          | 1/4 (6.35)               | 1 (25.40)   | 3           | 2                     | 40                             | 121     |          |



| Chain no. | C/C                      | T           | W           | Interval (every link) | First bar position (from link) | NB bars | NB pitch |
|-----------|--------------------------|-------------|-------------|-----------------------|--------------------------------|---------|----------|
|           |                          | in (mm)     | in (mm)     |                       |                                |         |          |
| 662       | Width to suit your needs | 3/16 (4.76) | 3/4 (19.05) | 2                     | 2                              | 17      | 35       |
|           |                          | 3/16 (4.76) | 3/4 (19.05) | 2                     | 2                              | 29      | 59       |
|           |                          | 3/16 (4.76) | 3/4 (19.05) | 2                     | 2                              | 53      | 107      |
|           |                          | 3/16 (4.76) | 3/4 (19.05) | 3                     | 2                              | 41      | 125      |
|           | Width to suit your needs | 3/16 (4.76) | 1 (25.40)   | 3                     | 1                              | 18      | 53       |
|           |                          | 3/16 (4.76) | 1 (25.40)   | 3                     | 2                              | 41      | 125      |
|           |                          | 3/16 (4.76) | 1 (25.40)   | 3                     | 2                              | 42      | 127      |
|           |                          | 3/16 (4.76) | 1 (25.40)   | 3                     | 2                              | 43      | 131      |
|           |                          | 3/16 (4.76) | 1 (25.40)   | 3                     | 2                              | 48      | 146      |
|           |                          | 3/16 (4.76) | 1 (25.40)   | 3                     | 2                              | 53      | 161      |
|           |                          | 3/16 (4.76) | 3/4 (19.05) | 2                     | 2                              | 61      | 122      |

Dimensions indicated on this page are only a sample of our capabilities. Check with our professionals for more models that will meet your needs.

Availability on request

CHAINS

CHAINS

# PINTLE CHAINS

## FLAT BAR

| Chain no.                | C/C                      | T                        | W             | Interval (every link) | First bar position (from link) | NB bars | NB pitch |    |
|--------------------------|--------------------------|--------------------------|---------------|-----------------------|--------------------------------|---------|----------|----|
|                          |                          | in (mm)                  | in (mm)       |                       |                                |         |          |    |
| 662                      | Width to suit your needs | 3/16 (4.76)              | 3/4 (19.05)   | 3                     | 2                              | 36      | 109      |    |
|                          |                          | 3/16 (4.76)              | 3/4 (19.05)   | 3                     | 2                              | 41      | 123      |    |
|                          |                          | 3/16 (4.76)              | 3/4 (19.05)   | 3                     | 2                              | 45      | 127      |    |
|                          |                          | 3/16 (4.76)              | 3/4 (19.05)   | 3                     | 2                              | 50      | 152      |    |
|                          | Width to suit your needs | 1/4 (6.35)               | 1 (25.40)     | 3                     | 2                              | 40      | 121      |    |
|                          |                          | 1/4 (6.35)               | 1 (25.40)     | 3                     | 2                              | 46      | 138      |    |
|                          | Width to suit your needs | 3/16 (4.76)              | 3/4 (19.05)   | 3                     | 2                              | 36      | 108      |    |
|                          |                          | 3/16 (4.76)              | 3/4 (19.05)   | 3                     | 2                              | 41      | 123      |    |
|                          |                          | 3/16 (4.76)              | 3/4 (19.05)   | 3                     | 2                              | 46      | 138      |    |
|                          |                          | 3/16 (4.76)              | 3/4 (19.05)   | 3                     | 2                              | 50      | 150      |    |
|                          | 667H                     | Width to suit your needs | 1/4 (6.35)    | 1 (25.40)             | 2                              | 2       | 46       | 91 |
|                          | 667X                     | Width to suit your needs | 1/2 (12.70)   | 3/4 (19.05)           | 3                              | 2       | 33       | 98 |
| 1/2 (12.70)              |                          |                          | 3/4 (19.05)   | 3                     | 2                              | 40      | 120      |    |
| Width to suit your needs |                          | 3/8 (9.53)               | 1:1/4 (31.75) | 2                     | 2                              | 55      | 110      |    |
|                          |                          | 3/8 (9.53)               | 1:1/4 (31.75) | 2                     | 2                              | 52      | 104      |    |
| Width to suit your needs |                          | 3/8 (9.53)               | 1:1/4 (31.75) | 2                     | 2                              | 56      | 112      |    |
|                          |                          | 3/8 (9.53)               | 1:1/4 (31.75) | 2                     | 2                              | 72      | 144      |    |
|                          |                          | 3/8 (9.53)               | 1:1/4 (31.75) | 2                     | 2                              | 80      | 160      |    |
|                          |                          | 3/8 (9.53)               | 1:1/4 (31.75) | 2                     | 2                              | 80      | 160      |    |
| Width to suit your needs |                          | 1/4 (6.35)               | 1:1/2 (38.10) | 2                     | 2                              | 54      | 109      |    |
|                          |                          | 1/4 (6.35)               | 1:1/2 (38.10) | 2                     | 2                              | 59      | 119      |    |
|                          |                          | 1/4 (6.35)               | 1:1/2 (38.10) | 2                     | 2                              | 64      | 129      |    |
|                          |                          | 1/4 (6.35)               | 1:1/2 (38.10) | 2                     | 2                              | 69      | 139      |    |



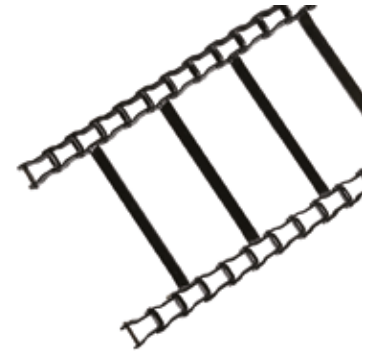
Dimensions indicated on this page are only a sample of our capabilities. Check with our professionals for more models that will meet your needs.

Availability on request

# PINTLE CHAINS

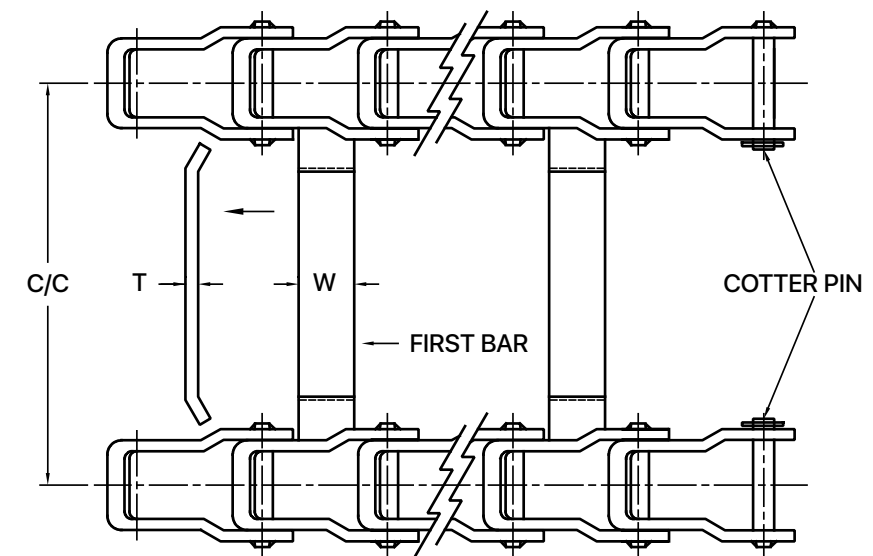
## FLAT BAR

| Chain no.    | C/C                      | T                        | W             | Interval (every link) | First bar position (from link) | NB bars | NB pitch |     |
|--------------|--------------------------|--------------------------|---------------|-----------------------|--------------------------------|---------|----------|-----|
|              |                          | in (mm)                  | in (mm)       |                       |                                |         |          |     |
| 667X         | Width to suit your needs | 1/4 (6.35)               | 1:1/2 (38.10) | 2                     | 2                              | 74      | 149      |     |
|              |                          | 1/4 (6.35)               | 1:1/2 (38.10) | 2                     | 2                              | 79      | 159      |     |
|              |                          | 1/4 (6.35)               | 1:1/2 (38.10) | 2                     | 2                              | 84      | 169      |     |
|              |                          | 3/8 (9.53)               | 1:1/4 (31.75) | 2                     | 2                              | 58      | 116      |     |
|              | Width to suit your needs | 3/8 (9.53)               | 1:1/2 (38.10) | 3                     | 2                              | 33      | 98       |     |
|              |                          | 3/8 (9.53)               | 1:1/2 (38.10) | 3                     | 2                              | 40      | 120      |     |
|              |                          | 3/8 (9.53)               | 1:1/2 (38.10) | 2                     | 2                              | 81      | 162      |     |
|              | 667XH                    | Width to suit your needs | 3/8 (9.53)    | 1:1/2 (38.10)         | 2                              | 2       | 81       | 163 |
|              | 88K                      | Width to suit your needs | 1/2 (12.70)   | 1:1/4 (31.75)         | 3                              | 3       | 46       | 138 |
|              |                          |                          | 1/4 (6.35)    | 1:1/4 (31.75)         | 2                              | 1       | 23       | 46  |
|              |                          |                          | 0.312 (7.92)  | 1:1/4 (31.75)         | 2                              | 2       | 23       | 46  |
|              |                          |                          | 0.312 (7.92)  | 1:1/4 (31.75)         | 3                              | 3       | 46       | 138 |
| 0.375 (9.52) |                          |                          | 1:1/4 (31.75) | 4                     | 2                              | 28      | 109      |     |



Dimensions indicated on this page are only a sample of our capabilities. Check with our professionals for more models that will meet your needs.

Availability on request



# COMBINATION CHAINS

- 20% stronger than the previous model
- Superior quality at an affordable price





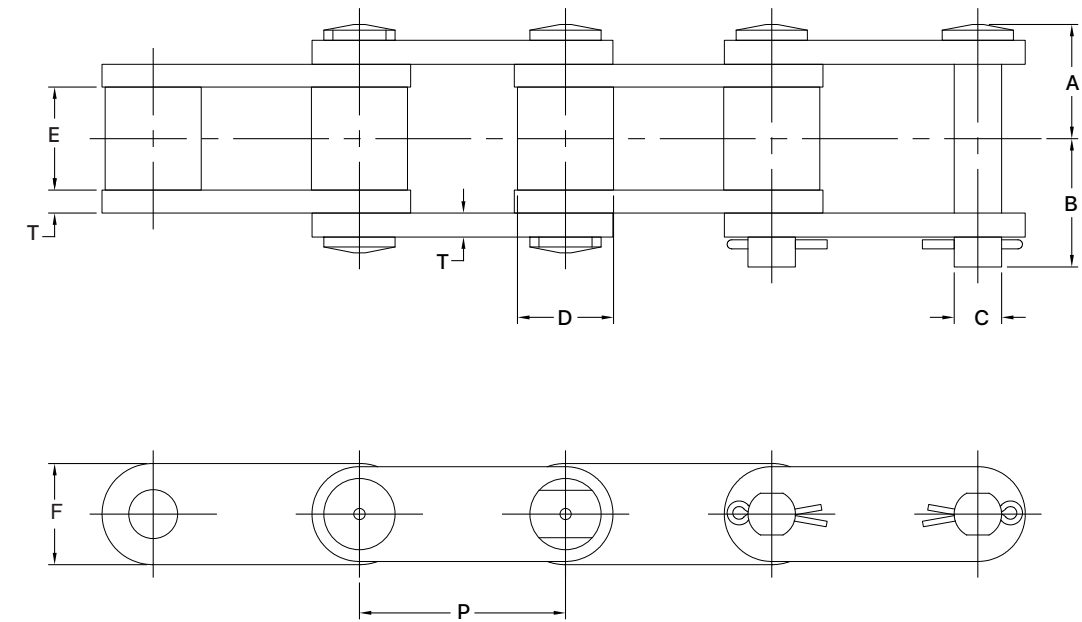
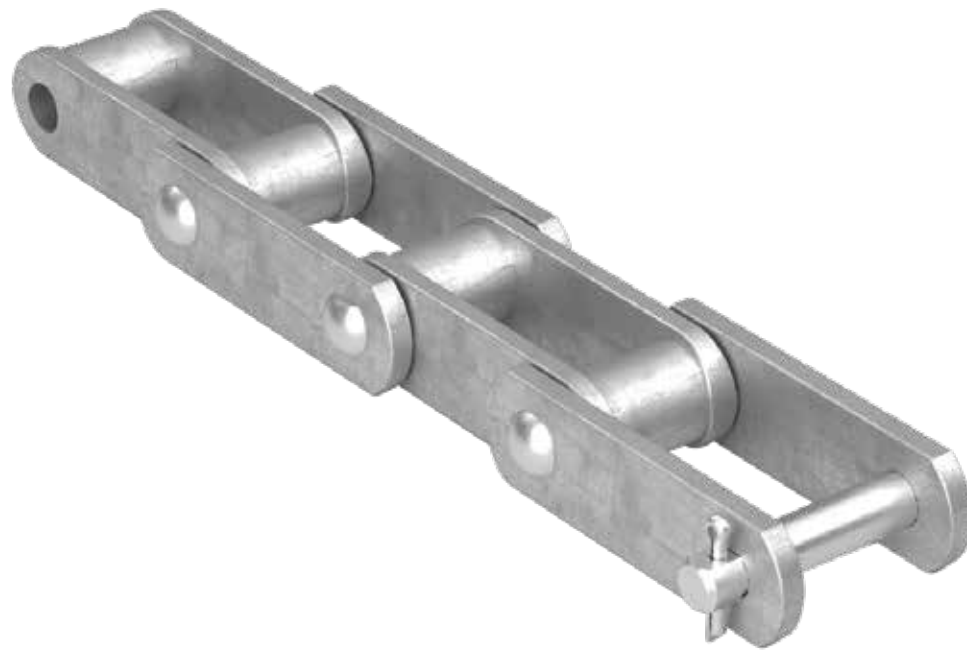
# COMBINATION CHAINS

## COMBINATION CHAINS

| Chain no. | Pitch (P) | No. of links per 10 feet | Average weight | Max. working load | Average ultimate strength |
|-----------|-----------|--------------------------|----------------|-------------------|---------------------------|
|           | in        |                          | lb/ft          | lb                | lb                        |
| C55*      | 1.631     | 74                       | 2.0            | 1,110             | 9,000                     |
| C188      | 2.609     | 46                       | 3.6            | 1,950             | 14,000                    |

\*This type of chain is available on demand only.

| Dimensions (in) |       |     |       |       |      |      |
|-----------------|-------|-----|-------|-------|------|------|
| A               | B     | C   | D     | E     | F    | T    |
| 11/16           | 29/32 | 3/8 | 23/32 | 11/16 | 3/4  | 3/16 |
| 113/32          | 19/32 | 1/2 | 7/8   | 15/16 | 11/8 | 1/4  |



## WELDED CHAINS

- Higher ultimate strength means they will not break as easily as malleable chains
- Simply weld attachment on to link side



## WELDED CHAINS

### GRADE 30 PROOF COIL CHAIN

| Nominal chain size |      | Material diameter |      | Working load limit (max.) |      | Inside length (max.) |      | Inside width (min.) |      |
|--------------------|------|-------------------|------|---------------------------|------|----------------------|------|---------------------|------|
| in                 | mm   | in                | mm   | lb                        | kg   | in                   | mm   | in                  | mm   |
| 1/8                | 4.0  | 0.156             | 4.0  | 400                       | 180  | 0.94                 | 23.9 | 0.25                | 6.4  |
| 3/16               | 5.5  | 0.217             | 5.5  | 800                       | 365  | 0.98                 | 24.8 | 0.30                | 7.7  |
| 1/4                | 7.0  | 0.276             | 7.0  | 1300                      | 580  | 1.24                 | 31.5 | 0.38                | 9.8  |
| 5/16               | 8.0  | 0.331             | 8.4  | 1900                      | 860  | 1.29                 | 32.8 | 0.44                | 11.2 |
| 3/8                | 10.0 | 0.394             | 10.0 | 2650                      | 1200 | 1.38                 | 35.0 | 0.55                | 14.0 |
| 7/16               | 11.9 | 0.488             | 11.9 | 3700                      | 1680 | 1.64                 | 41.6 | 0.65                | 16.6 |
| 1/2                | 13.0 | 0.512             | 13.0 | 4500                      | 2030 | 1.79                 | 45.5 | 0.72                | 18.2 |
| 5/8                | 16.0 | 0.630             | 16.0 | 6900                      | 3130 | 2.20                 | 56.0 | 0.79                | 20.0 |
| 3/4                | 20.0 | 0.787             | 20.0 | 10600                     | 4800 | 2.76                 | 70.0 | 0.98                | 25.0 |
| 7/8                | 22.0 | 0.866             | 22.0 | 12800                     | 5810 | 3.03                 | 77.0 | 1.08                | 27.5 |
| 1                  | 26.0 | 1.020             | 26.0 | 17900                     | 8140 | 3.58                 | 90.9 | 1.25                | 31.7 |

\*This type of chain is not suitable for transport.

### GRADE 43 HIGH TEST CHAIN

| Nominal chain size |      | Material diameter |      | Working load limit (max.) |       | Inside length (max.) |      | Inside width (min.) |      |
|--------------------|------|-------------------|------|---------------------------|-------|----------------------|------|---------------------|------|
| in                 | mm   | in                | mm   | lb                        | kg    | in                   | mm   | in                  | mm   |
| 1/4                | 7.0  | 0.276             | 7.0  | 2600                      | 1180  | 1.24                 | 31.5 | 0.38                | 9.8  |
| 5/16               | 8.7  | 0.343             | 8.7  | 3900                      | 1770  | 1.29                 | 32.8 | 0.44                | 11.2 |
| 3/8                | 10.0 | 0.406             | 10.3 | 5400                      | 2450  | 1.38                 | 35.0 | 0.55                | 14.0 |
| 7/16               | 11.9 | 0.468             | 11.9 | 7200                      | 3270  | 1.64                 | 41.6 | 0.65                | 16.6 |
| 1/2                | 13.0 | 0.531             | 13.5 | 9200                      | 4170  | 1.79                 | 45.5 | 0.72                | 18.2 |
| 5/8                | 16.0 | 0.630             | 16.0 | 13000                     | 5910  | 2.20                 | 56.0 | 0.79                | 20.0 |
| 3/4                | 20.0 | 0.787             | 20.0 | 20200                     | 9180  | 2.76                 | 70.0 | 0.98                | 25.0 |
| 7/8                | 22.0 | 0.866             | 22.0 | 24500                     | 11140 | 3.03                 | 77.0 | 1.08                | 27.5 |

\*This type of chain is not suitable for transport.

### GRADE 70 TRANSPORT CHAIN

| Nominal chain size |      | Material diameter |      | Working load limit (max.) |       | Inside length (max.) |      | Inside width (min.) |      |
|--------------------|------|-------------------|------|---------------------------|-------|----------------------|------|---------------------|------|
| in                 | mm   | in                | mm   | lb                        | kg    | in                   | mm   | in                  | mm   |
| 1/4                | 7.0  | 0.281             | 7.0  | 3150                      | 1430  | 1.24                 | 31.5 | 0.38                | 9.8  |
| 5/16               | 8.7  | 0.343             | 8.7  | 4700                      | 2130  | 1.29                 | 32.8 | 0.44                | 11.2 |
| 3/8                | 10.0 | 0.406             | 10.3 | 6600                      | 2990  | 1.38                 | 35.0 | 0.55                | 14.0 |
| 7/16               | 11.9 | 0.468             | 11.9 | 8750                      | 3970  | 1.64                 | 41.6 | 0.65                | 16.6 |
| 1/2                | 13.0 | 0.531             | 13.5 | 11300                     | 5130  | 1.79                 | 45.5 | 0.72                | 18.2 |
| 5/8                | 16.0 | 0.630             | 16.0 | 15800                     | 7170  | 2.20                 | 56.0 | 0.79                | 20.0 |
| 3/4                | 20.0 | 0.787             | 20.0 | 24700                     | 11200 | 2.76                 | 70.0 | 0.98                | 25.0 |

\*This type of chain is not suitable for transport.

## WELDED CHAINS

### GRADE 80 ALLOY CHAIN

| Nominal chain size |      | Material diameter |      | Working load limit (max.) |       | Inside length (max.) |       | Inside width (min.) |             |
|--------------------|------|-------------------|------|---------------------------|-------|----------------------|-------|---------------------|-------------|
| in                 | mm   | in                | mm   | lb                        | kg    | in                   | mm    | in                  | mm          |
| 7/32               | 5.5  | 0.217             | 5.5  | 2100                      | 970   | 0.69                 | 17.6  | 0.281-0.325         | 7.14-8.25   |
| 9/32               | 7.0  | 0.276             | 7.0  | 3500                      | 1570  | 0.90                 | 22.9  | 0.375-0.430         | 9.53-10.92  |
| 5/16               | 8.0  | 0.315             | 8.0  | 4500                      | 2000  | 1.04                 | 26.4  | 0.430-0.500         | 10.92-12.70 |
| 3/8                | 10.0 | 0.394             | 10.0 | 7100                      | 3200  | 1.26                 | 32.0  | 0.512-0.600         | 13.00-15.20 |
| 1/2                | 13.0 | 0.512             | 13.0 | 12000                     | 5400  | 1.64                 | 41.6  | 0.688-0.768         | 17.48-19.50 |
| 5/8                | 16.0 | 0.630             | 16.0 | 18100                     | 8200  | 2.02                 | 51.2  | 0.812-0.945         | 20.63-24.00 |
| 3/4                | 20.0 | 0.787             | 20.0 | 28300                     | 12800 | 2.52                 | 64.0  | 0.984-1.180         | 25.00-30.00 |
| 7/8                | 22.0 | 0.866             | 22.0 | 34200                     | 15500 | 2.77                 | 70.4  | 1.080-1.300         | 27.50-33.00 |
| 1                  | 26.0 | 1.020             | 26.0 | 47700                     | 21600 | 3.28                 | 83.2  | 1.280-1.540         | 32.50-39.00 |
| 1 1/4              | 32.0 | 1.260             | 32.0 | 72300                     | 32800 | 4.03                 | 102.4 | 1.580-1.890         | 40.00-48.00 |

### GRADE 100 ALLOY CHAIN

| Nominal chain size |      | Material diameter |      | Working load limit (max.) |       | Inside length (max.) |      | Inside width (min.) |             |
|--------------------|------|-------------------|------|---------------------------|-------|----------------------|------|---------------------|-------------|
| in                 | mm   | in                | mm   | lb                        | kg    | in                   | mm   | in                  | mm          |
| 7/32               | 5.5  | 0.217             | 5.5  | 2700                      | 1220  | 0.69                 | 17.6 | 0.281-0.325         | 7.14-8.25   |
| 9/32               | 7.0  | 0.276             | 7.0  | 4300                      | 1950  | 0.90                 | 22.9 | 0.375-0.430         | 9.53-10.92  |
| 5/16               | 8.0  | 0.315             | 8.0  | 5700                      | 2600  | 1.04                 | 26.4 | 0.430-0.500         | 10.92-12.70 |
| 3/8                | 10.0 | 0.394             | 10.0 | 8800                      | 4000  | 1.26                 | 32.0 | 0.512-0.600         | 13.00-15.20 |
| 1/2                | 13.0 | 0.512             | 13.0 | 15000                     | 6800  | 1.64                 | 41.6 | 0.688-0.768         | 17.48-19.50 |
| 5/8                | 16.0 | 0.630             | 16.0 | 22600                     | 10300 | 2.02                 | 51.2 | 0.812-0.945         | 20.63-24.00 |
| 3/4                | 20.0 | 0.787             | 20.0 | 35300                     | 16000 | 2.52                 | 64.0 | 0.984-1.180         | 25.00-30.00 |
| 7/8                | 22.0 | 0.866             | 22.0 | 42700                     | 19400 | 2.77                 | 70.4 | 1.080-1.300         | 27.50-33.00 |

\*This type of chain is not suitable for transport.



# SPROCKETS

---

- High-quality
- 8 to 112 teeth
- 1/4" to 5 1/4" bore
- Diameter of up to 27.75"





# TABLE OF CONTENTS

## SPROCKETS

|                                    |     |
|------------------------------------|-----|
| Sprocket #25 – 1/4" pitch .....    | 222 |
| Sprocket #35 – 3/8" pitch .....    | 223 |
| Sprocket #40 – 1/2" pitch .....    | 226 |
| Sprocket #41 – 1/2" pitch .....    | 231 |
| Sprocket #50 – 5/8" pitch .....    | 232 |
| Sprocket #60 – 3/4" pitch .....    | 239 |
| Sprocket #80 – 1" pitch .....      | 246 |
| Sprocket #100 – 1 1/4" pitch ..... | 251 |
| Sprocket #120 – 1 1/2" pitch ..... | 256 |
| Sprocket #140 – 1 3/4" pitch ..... | 259 |
| Sprocket #160 – 2" pitch .....     | 261 |
| Weld-on sprocket .....             | 262 |
| Weld-on hubs .....                 | 263 |

## CAST SPROCKETS

|                                 |     |
|---------------------------------|-----|
| Cast sprockets .....            | 266 |
| Conveyor sprockets 2.609" ..... | 269 |

## IDLERS

|                       |     |
|-----------------------|-----|
| Sprocket idlers ..... | 272 |
| Aetna idlers .....    | 273 |

## CHAIN COUPLINGS

|                       |     |
|-----------------------|-----|
| Chain couplings ..... | 276 |
|-----------------------|-----|

## SPROCKETS

- Extensive line designed for type 25 to 240 chains
- Single, double, triple, quadruple and more on request
- With single, double or without hubs
- Bore: minimum, finished, welded, bushing or split taper



# SPROCKETS

SPROCKET #25 – 1/4" PITCH | NOMINAL = 0.110"

| SINGLE – TYPE B |              |                |       |           |       |          |        |           |
|-----------------|--------------|----------------|-------|-----------|-------|----------|--------|-----------|
| Part no.        | No. of teeth | Diameters (in) |       | Bore (in) |       | Hub (in) |        | Weight lb |
|                 |              | Outside        | Pitch | Stock     | Max.  | Dia.     | L.T.B. |           |
| 25B9            | 9            | 0.837          | 0.731 | 1/4       | 1/4   | 7/16     | 1/2    | 0.03      |
| 25B10           | 10           | 0.919          | 0.809 | 1/4       | 1/4   | 1/2      | 1/2    | 0.03      |
| 25B11           | 11           | 1.002          | 0.887 | 1/4       | 5/16  | 9/16     | 1/2    | 0.04      |
| 25B12           | 12           | 1.083          | 0.966 | 1/4       | 3/8   | 5/8      | 1/2    | 0.06      |
| 25B13           | 13           | 1.167          | 1.045 | 1/4       | 7/16  | 23/32    | 1/2    | 0.07      |
| 25B14           | 14           | 1.246          | 1.124 | 1/4       | 9/16  | 13/16    | 1/2    | 0.08      |
| 25B15           | 15           | 1.326          | 1.203 | 1/4       | 9/16  | 57/64    | 1/2    | 0.10      |
| 25B16           | 16           | 1.407          | 1.282 | 1/4       | 9/16  | 31/32    | 1/2    | 0.12      |
| 25B17           | 17           | 1.487          | 1.361 | 1/4       | 5/8   | 11/32    | 1/2    | 0.14      |
| 25B18           | 18           | 1.568          | 1.440 | 1/4       | 3/4   | 11/8     | 1/2    | 0.16      |
| 25B19           | 19           | 1.648          | 1.519 | 1/4       | 13/16 | 17/32    | 1/2    | 0.19      |
| 25B20           | 20           | 1.729          | 1.598 | 1/4       | 7/8   | 19/32    | 5/8    | 0.25      |
| 25B21           | 21           | 1.809          | 1.678 | 1/4       | 7/8   | 13/8     | 5/8    | 0.28      |
| 25B22           | 22           | 1.889          | 1.757 | 1/4       | 15/16 | 17/16    | 5/8    | 0.31      |
| 25B23           | 23           | 1.969          | 1.836 | 1/4       | 1     | 11/2     | 5/8    | 0.32      |
| 25B24           | 24           | 2.049          | 1.915 | 3/8       | 1     | 11/2     | 5/8    | 0.33      |
| 25B25           | 25           | 2.129          | 1.995 | 3/8       | 1     | 11/2     | 5/8    | 0.34      |
| 25B26           | 26           | 2.209          | 2.074 | 3/8       | 1     | 11/2     | 5/8    | 0.35      |
| 25B28           | 28           | 2.369          | 2.233 | 3/8       | 1     | 11/2     | 5/8    | 0.36      |
| 25B30           | 30           | 2.529          | 2.392 | 3/8       | 1     | 11/2     | 5/8    | 0.38      |
| 25B32           | 32           | 2.688          | 2.551 | 3/8       | 1     | 11/2     | 5/8    | 0.40      |
| 25B36           | 36           | 3.008          | 2.869 | 3/8       | 1     | 11/2     | 3/4    | 0.50      |
| 25B40           | 40           | 3.327          | 3.187 | 1/2       | 13/8  | 2        | 3/4    | 0.53      |
| 25B45           | 45           | 3.725          | 3.584 | 1/2       | 13/8  | 2        | 3/4    | 0.56      |
| 25B48           | 48           | 3.964          | 3.823 | 1/2       | 13/8  | 2        | 3/4    | 0.60      |
| 25B54           | 54           | 4.442          | 4.300 | 1/2       | 13/8  | 2        | 3/4    | 1.00      |
| 25B60           | 60           | 4.920          | 4.777 | 1/2       | 13/8  | 2        | 3/4    | 1.10      |
| 25B70           | 70           | 5.717          | 5.572 | 1/2       | 13/8  | 2        | 3/4    | 1.25      |
| 25B72           | 72           | 5.876          | 5.732 | 1/2       | 13/8  | 2        | 3/4    | 1.30      |

(H) = With hardened teeth.

Maximum bores shown will accommodate standard keyway and setscrew over keyseat. Slightly larger bores are possible with no keyway, shallow keyway or setscrew at an angle to keyway.



# SPROCKETS

SPROCKET #35 – 3/8" PITCH | NOMINAL = 0.168"

| SINGLE – TYPE A |                 |           |
|-----------------|-----------------|-----------|
| Part no.        | Bore (in) Stock | Weight lb |
| 25A18           | 1/4             | 0.04      |
| 25A19           | 1/4             | 0.04      |
| 25A20           | 1/4             | 0.04      |
| 25A21           | 3/8             | 0.04      |
| 25A22           | 3/8             | 0.06      |
| 25A23           | 3/8             | 0.06      |
| 25A24           | 3/8             | 0.08      |
| 25A25           | 3/8             | 0.08      |
| 25A26           | 3/8             | 0.09      |
| 25A28           | 3/8             | 0.10      |
| 25A30           | 3/8             | 0.12      |
| 25A32           | 3/8             | 0.14      |
| 25A36           | 3/8             | 0.18      |
| 25A40           | 1/2             | 0.20      |
| 25A45           | 1/2             | 0.25      |
| 25A48           | 1/2             | 0.32      |
| 25A54           | 1/2             | 0.38      |
| 25A60           | 1/2             | 0.54      |
| 25A70           | 1/2             | 0.70      |
| 25A72           | 1/2             | 0.74      |

| SINGLE – TYPE B |              |                |        |           |       |          |        |           |
|-----------------|--------------|----------------|--------|-----------|-------|----------|--------|-----------|
| Part no.        | No. of teeth | Diameters (in) |        | Bore (in) |       | Hub (in) |        | Weight lb |
|                 |              | Outside        | Pitch  | Stock     | Max.  | Dia.     | L.T.B. |           |
| 35B8H           | 8            | 1.130          | 0.980  | 3/8       | 3/8   | 3/4*     | 3/4    | 0.07      |
| 35B9H           | 9            | 1.260          | 1.096  | 3/8       | 3/8   | 27/32*   | 3/4    | 0.09      |
| 35B10H          | 10           | 1.380          | 1.214  | 3/8       | 9/16  | 31/32*   | 3/4    | 0.14      |
| 35B11H          | 11           | 1.500          | 1.331  | 3/8       | 9/16  | 11/16*   | 3/4    | 0.17      |
| 35B12H          | 12           | 1.630          | 1.449  | 1/2       | 9/16  | 17/32*   | 3/4    | 0.20      |
| 35B13H          | 13           | 1.750          | 1.567  | 1/2       | 11/16 | 11/4*    | 3/4    | 0.23      |
| 35B14H          | 14           | 1.870          | 1.685  | 1/2       | 7/8   | 11/4     | 3/4    | 0.25      |
| 35B15H          | 15           | 1.990          | 1.804  | 1/2       | 7/8   | 111/32   | 3/4    | 0.29      |
| 35B16H          | 16           | 2.110          | 1.922  | 1/2       | 15/16 | 115/32   | 3/4    | 0.35      |
| 35B17H          | 17           | 2.230          | 2.041  | 1/2       | 11/16 | 119/32   | 3/4    | 0.42      |
| 35B18H          | 18           | 2.350          | 2.159  | 1/2       | 13/16 | 123/32   | 3/4    | 0.48      |
| 35B19H          | 19           | 2.470          | 2.278  | 1/2       | 11/4  | 127/32   | 3/4    | 0.54      |
| 35B20H          | 20           | 2.590          | 2.397  | 1/2       | 15/16 | 115/16   | 3/4    | 0.59      |
| 35B21H          | 21           | 2.710          | 2.516  | 1/2       | 13/8  | 2        | 7/8    | 0.80      |
| 35B22H          | 22           | 2.830          | 2.635  | 1/2       | 13/8  | 2        | 7/8    | 0.80      |
| 35B23H          | 23           | 2.950          | 2.754  | 1/2       | 13/8  | 2        | 7/8    | 0.82      |
| 35B24H          | 24           | 3.070          | 2.873  | 1/2       | 13/8  | 2        | 7/8    | 0.88      |
| 35B25H          | 25           | 3.190          | 2.992  | 1/2       | 13/8  | 2        | 7/8    | 0.88      |
| 35B26H          | 26           | 3.310          | 3.111  | 1/2       | 13/8  | 2        | 7/8    | 0.90      |
| 35B27H          | 27           | 3.430          | 3.230  | 1/2       | 13/8  | 2        | 7/8    | 0.94      |
| 35B28H          | 28           | 3.550          | 3.349  | 1/2       | 13/8  | 2        | 7/8    | 0.94      |
| 35B30H          | 30           | 3.790          | 3.588  | 1/2       | 13/8  | 2        | 7/8    | 1.02      |
| 35B32H          | 32           | 4.030          | 3.826  | 1/2       | 13/8  | 2        | 7/8    | 1.24      |
| 35B35H          | 35           | 4.390          | 4.183  | 5/8       | 11/2  | 2 1/4    | 7/8    | 1.50      |
| 35B36H          | 36           | 4.510          | 4.303  | 5/8       | 11/2  | 2 1/4    | 7/8    | 1.56      |
| 35B40H          | 40           | 4.990          | 4.780  | 5/8       | 11/2  | 2 1/4    | 1      | 1.62      |
| 35B42           | 42           | 5.230          | 5.018  | 5/8       | 11/2  | 2 1/4    | 1      | 1.68      |
| 35B45           | 45           | 5.590          | 5.376  | 5/8       | 11/2  | 2 1/4    | 1      | 1.78      |
| 35B48           | 48           | 5.950          | 5.734  | 5/8       | 11/2  | 2 1/4    | 1      | 1.88      |
| 35B54           | 54           | 6.660          | 6.449  | 5/8       | 11/2  | 2 1/4    | 1      | 2.20      |
| 35B60           | 60           | 7.380          | 7.165  | 3/4       | 11/2  | 2 1/4    | 1      | 2.48      |
| 35B70           | 70           | 8.580          | 8.358  | 3/4       | 11/2  | 2 1/4    | 1      | 3.12      |
| 35B72           | 72           | 8.810          | 8.597  | 3/4       | 11/2  | 2 1/4    | 1      | 3.42      |
| 35B80           | 80           | 9.770          | 9.552  | 3/4       | 11/2  | 2 1/4    | 1      | 3.82      |
| 35B84           | 84           | 10.250         | 10.029 | 3/4       | 11/2  | 2 1/4    | 1      | 4.24      |
| 35B96           | 96           | 11.680         | 11.461 | 3/4       | 11/2  | 2 1/4    | 1      | 5.16      |
| 35B112          | 112          | 13.590         | 13.371 | 3/4       | 11/2  | 2 1/4    | 1      | 6.70      |

| SINGLE – TYPE A |                 |           |
|-----------------|-----------------|-----------|
| Part no.        | Bore (in) Stock | Weight lb |
| 35A15           | 1/2             | 0.10      |
| 35A16           | 1/2             | 0.12      |
| 35A17           | 1/2             | 0.12      |
| 35A18           | 1/2             | 0.14      |
| 35A19           | 1/2             | 0.16      |
| 35A20           | 1/2             | 0.20      |
| 35A21           | 1/2             | 0.20      |
| 35A22           | 1/2             | 0.22      |
| 35A23           | 1/2             | 0.24      |
| 35A24           | 1/2             | 0.26      |
| 35A25           | 1/2             | 0.28      |
| 35A26           | 1/2             | 0.28      |
| 35A27           | 1/2             | 0.34      |
| 35A28           | 1/2             | 0.34      |
| 35A30           | 1/2             | 0.46      |
| 35A32           | 5/8             | 0.46      |
| 35A35           | 5/8             | 0.60      |
| 35A36           | 5/8             | 0.62      |
| 35A40           | 19/32           | 0.70      |
| 35A42           | 19/32           | 0.78      |
| 35A45           | 19/32           | 0.88      |
| 35A48           | 19/32           | 1.21      |
| 35A54           | 19/32           | 1.32      |
| 35A60           | 23/32           | 1.66      |
| 35A70           | 23/32           | 2.30      |
| 35A72           | 23/32           | 2.56      |
| 35A80           | 23/32           | 3.16      |
| 35A84           | 23/32           | 3.26      |
| 35A96           | 23/32           | 4.64      |
| 35A112          | 23/32           | 5.05      |

\*Has recessed groove in hub for chain clearance. Maximum bores shown will accommodate standard keyway and setscrew over keyseat. Slightly larger bores are possible with no keyway, shallow keyway or setscrew at an angle to keyway.



## SPROCKETS

SPROCKET #35 – 3/8" PITCH | NOMINAL = 0.168"

| SINGLE – TYPE FB – FINISH BORE |              |                |       |          |           |                             |     |     |     |   |      |
|--------------------------------|--------------|----------------|-------|----------|-----------|-----------------------------|-----|-----|-----|---|------|
| Part no.                       | No. of teeth | Diameters (in) |       | Hub (in) | Weight lb | Stock finish bore (in)      |     |     |     |   |      |
|                                |              | Outside        | Pitch | L.T.B.   |           | Includes keyway & setscrews |     |     |     |   |      |
| 35FB 10H                       | 10           | 1.380          | 1.214 | 3/4      | 0.11      | 1/2                         | 5/8 |     |     |   |      |
| 35FB 11H                       | 11           | 1.500          | 1.331 | 3/4      | 0.15      | 1/2                         | 5/8 |     |     |   |      |
| 35FB12H                        | 12           | 1.630          | 1.449 | 3/4      | 0.18      | 1/2                         | 5/8 | 3/4 |     |   |      |
| 35FB13H                        | 13           | 1.750          | 1.567 | 3/4      | 0.20      | 1/2                         | 5/8 | 3/4 |     |   |      |
| 35FB14H                        | 14           | 1.870          | 1.685 | 3/4      | 0.22      | 1/2                         | 5/8 | 3/4 |     |   |      |
| 35FB15H                        | 15           | 1.990          | 1.804 | 3/4      | 0.24      | 1/2                         | 5/8 | 3/4 | 7/8 | 1 |      |
| 35FB16H                        | 16           | 2.110          | 1.922 | 3/4      | 0.29      | 1/2                         | 5/8 | 3/4 | 7/8 | 1 |      |
| 35FB17H                        | 17           | 2.230          | 2.041 | 3/4      | 0.36      | 1/2                         | 5/8 | 3/4 | 7/8 | 1 |      |
| 35FB18H                        | 18           | 2.350          | 2.159 | 3/4      | 0.39      | 1/2                         | 5/8 | 3/4 | 7/8 | 1 |      |
| 35FB19H                        | 19           | 2.470          | 2.278 | 3/4      | 0.44      | 1/2                         | 5/8 | 3/4 |     | 1 |      |
| 35FB20H                        | 20           | 2.590          | 2.397 | 3/4      | 0.51      | 1/2                         | 5/8 | 3/4 |     | 1 |      |
| 35FB21H                        | 21           | 2.710          | 2.516 | 7/8      | 0.75      | 1/2                         | 5/8 | 3/4 |     | 1 |      |
| 35FB22H                        | 22           | 2.830          | 2.635 | 7/8      | 0.76      | 1/2                         | 5/8 | 3/4 |     | 1 |      |
| 35FB23H                        | 23           | 2.950          | 2.754 | 7/8      | 0.78      | 1/2                         | 5/8 | 3/4 |     | 1 |      |
| 35FB24H                        | 24           | 3.070          | 2.873 | 7/8      | 0.79      | 1/2                         | 5/8 | 3/4 |     | 1 |      |
| 35FB25H                        | 25           | 3.190          | 2.992 | 7/8      | 0.80      | 1/2                         | 5/8 | 3/4 |     | 1 |      |
| 35FB26H                        | 26           | 3.310          | 3.111 | 7/8      | 0.84      |                             | 5/8 | 3/4 | 7/8 | 1 | 11/4 |
| 35FB27H                        | 27           | 3.430          | 3.230 | 7/8      | 0.86      |                             | 5/8 | 3/4 | 7/8 | 1 | 11/4 |
| 35FB28H                        | 28           | 3.550          | 3.349 | 7/8      | 0.88      |                             | 5/8 | 3/4 | 7/8 | 1 | 11/4 |
| 35FB30H                        | 30           | 3.790          | 3.588 | 7/8      | 0.96      |                             | 5/8 | 3/4 | 7/8 | 1 | 11/4 |
| 35FB32H                        | 32           | 4.030          | 3.827 | 7/8      | 1.14      |                             |     |     |     | 1 | 11/4 |
| 35FB48                         | 48           | 5.950          | 5.734 | 1        | 1.65      |                             |     |     |     | 1 | 11/4 |

(H) = With hardened teeth.

Keyway is on center line of tooth.



## SPROCKETS

SPROCKET #D35 – 3/8" PITCH | NOMINAL = 0.126"

| DOUBLE – TYPE B – DIMENSION T FOR # D35 = 0.561" |              |                |        |           |       |          |        |           |
|--|--------------|----------------|--------|-----------|-------|----------|--------|-----------|
| Part no.   | No. of teeth | Diameters (in) |        | Bore (in) |       | Hub (in) |        | Weight lb |
|  |              | Outside        | Pitch  | Stock     | Max.  | Dia.     | L.T.B. |           |
| D35B12H  | 12           | 1.630          | 1.449  | 1/2       | 9/16  | 63/64    | 11/4   | 0.32      |
| D35B13H  | 13           | 1.750          | 1.567  | 1/2       | 11/16 | 17/64    | 11/4   | 0.36      |
| D35B14H  | 14           | 1.870          | 1.685  | 1/2       | 7/8   | 11/4     | 11/4   | 0.44      |
| D35B15H  | 15           | 1.990          | 1.804  | 1/2       | 15/16 | 113/32   | 11/4   | 0.56      |
| D35B16H  | 16           | 2.110          | 1.922  | 1/2       | 15/16 | 115/32   | 11/4   | 0.64      |
| D35B17H  | 17           | 2.230          | 2.041  | 1/2       | 11/16 | 119/32   | 11/4   | 0.74      |
| D35B18H  | 18           | 2.350          | 2.159  | 1/2       | 13/16 | 123/32   | 11/4   | 0.84      |
| D35B19H  | 19           | 2.470          | 2.278  | 1/2       | 15/16 | 17/8     | 11/4   | 0.96      |
| D35B20H  | 20           | 2.590          | 2.397  | 3/4       | 15/16 | 115/16   | 13/8   | 1.08      |
| D35B21H  | 21           | 2.710          | 2.516  | 3/4       | 13/8  | 21/16    | 13/8   | 1.24      |
| D35B22H  | 22           | 2.830          | 2.635  | 3/4       | 17/16 | 23/16    | 13/8   | 1.42      |
| D35B23H  | 23           | 2.950          | 2.754  | 3/4       | 11/2  | 21/4     | 13/8   | 1.54      |
| D35B24H  | 24           | 3.070          | 2.873  | 3/4       | 11/2  | 21/4     | 13/8   | 1.62      |
| D35B25H  | 25           | 3.190          | 2.992  | 3/4       | 11/2  | 21/4     | 13/8   | 1.66      |
| D35B26H  | 26           | 3.310          | 3.111  | 3/4       | 13/4  | 21/4     | 13/8   | 1.98      |
| D35B30H  | 30           | 3.790          | 3.588  | 3/4       | 13/4  | 21/4     | 13/8   | 2.34      |
| D35B36H  | 36           | 4.510          | 4.303  | 3/4       | 13/4  | 21/4     | 13/8   | 3.00      |
| D35B42H  | 42           | 5.230          | 5.018  | 3/4       | 13/4  | 21/4     | 13/8   | 3.80      |
| D35B48H  | 48           | 5.950          | 5.734  | 3/4       | 13/4  | 21/4     | 13/8   | 4.66      |
| D35B52   | 52           | 6.540          | 6.224  | 3/4       | 13/4  | 21/4     | 13/8   | 5.40      |
| D35B60   | 60           | 7.380          | 7.165  | 3/4       | 13/4  | 21/4     | 13/8   | 6.84      |
| D35B76   | 76           | 8.920          | 8.752  | 3/4       | 23/8  | 31/2     | 11/2   | 11.94     |
| D35B84   | 84           | 10.250         | 10.029 | 3/4       | 23/8  | 31/2     | 11/2   | 14.98     |

(H) = With hardened teeth.

Maximum bores shown will accommodate standard keyway and setscrew over keyseat. Slightly larger bores are possible with no keyseat, shallow keyseat or setscrew at an angle to keyseat.



# SPROCKETS

SPROCKET #40 – 1/2" PITCH | NOMINAL = 0.284"

| SINGLE – TYPE B |              |                |        |           |       |          |        |           |
|-----------------|--------------|----------------|--------|-----------|-------|----------|--------|-----------|
| Part no.        | No. of teeth | Diameters (in) |        | Bore (in) |       | Hub (in) |        | Weight lb |
|                 |              | Outside        | Pitch  | Stock     | Max.  | Dia.     | L.T.B. |           |
| 40B8H           | 8            | 1.500          | 1.307  | 1/2       | 1/2   | 31/32*   | 7/8    | 0.18      |
| 40B9H           | 9            | 1.670          | 1.462  | 1/2       | 9/16  | 11/16*   | 7/8    | 0.20      |
| 40B10H          | 10           | 1.840          | 1.618  | 1/2       | 3/4   | 11/4*    | 7/8    | 0.27      |
| 40B11H          | 11           | 2.000          | 1.775  | 1/2       | 7/8   | 13/8*    | 7/8    | 0.35      |
| 40B12H          | 12           | 2.170          | 1.932  | 1/2       | 1     | 19/16*   | 7/8    | 0.45      |
| 40B13H          | 13           | 2.330          | 2.089  | 1/2       | 11/16 | 19/16    | 7/8    | 0.50      |
| 40B14H          | 14           | 2.490          | 2.247  | 1/2       | 11/8  | 111/16   | 7/8    | 0.59      |
| 40B15H          | 15           | 2.650          | 2.405  | 1/2       | 11/4  | 113/16   | 7/8    | 0.70      |
| 40B16H          | 16           | 2.810          | 2.563  | 5/8       | 13/8  | 2        | 7/8    | 0.79      |
| 40B17H          | 17           | 2.980          | 2.721  | 5/8       | 17/16 | 2 1/8    | 1      | 1.04      |
| 40B18H          | 18           | 3.140          | 2.879  | 5/8       | 11/2  | 2 5/16   | 1      | 1.22      |
| 40B19H          | 19           | 3.300          | 3.038  | 5/8       | 13/4  | 2 1/2    | 1      | 1.43      |
| 40B20H          | 20           | 3.460          | 3.196  | 5/8       | 17/8  | 2 5/8    | 1      | 1.56      |
| 40B21H          | 21           | 3.620          | 3.355  | 5/8       | 17/8  | 2 3/4    | 1      | 1.73      |
| 40B22H          | 22           | 3.780          | 3.513  | 5/8       | 17/8  | 2 7/8    | 1      | 1.96      |
| 40B23H          | 23           | 3.940          | 3.672  | 5/8       | 2     | 3        | 1      | 2.13      |
| 40B24H          | 24           | 4.100          | 3.831  | 5/8       | 2 1/4 | 3 1/4    | 1      | 2.41      |
| 40B25H          | 25           | 4.260          | 3.989  | 5/8       | 2 1/4 | 3 1/4    | 1      | 2.54      |
| 40B26H          | 26           | 4.420          | 4.148  | 5/8       | 2 1/4 | 3 1/4    | 1      | 2.58      |
| 40B27H          | 27           | 4.580          | 4.307  | 5/8       | 2 1/4 | 3 1/4    | 1      | 2.66      |
| 40B28H          | 28           | 4.740          | 4.466  | 5/8       | 2 1/4 | 3 1/4    | 1      | 2.73      |
| 40B30H          | 30           | 5.060          | 4.873  | 5/8       | 2 1/4 | 3 1/4    | 1      | 2.98      |
| 40B32H          | 32           | 5.380          | 5.101  | 5/8       | 2 1/4 | 3 1/4    | 1      | 3.16      |
| 40B33H          | 33           | 5.540          | 5.260  | 5/8       | 2 1/4 | 3 1/4    | 1      | 3.22      |
| 40B34H          | 34           | 5.700          | 5.419  | 5/8       | 2 1/4 | 3 1/4    | 1      | 3.30      |
| 40B35H          | 35           | 5.860          | 5.578  | 5/8       | 2 1/4 | 3 1/4    | 1      | 3.46      |
| 40B36H          | 36           | 6.020          | 5.737  | 5/8       | 2 1/4 | 3 1/4    | 1      | 3.58      |
| 40B38H          | 38           | 6.330          | 6.055  | 5/8       | 2 1/4 | 3 1/4    | 1      | 3.70      |
| 40B39H          | 39           | 6.490          | 6.214  | 5/8       | 2 1/4 | 3 1/4    | 1      | 3.76      |
| 40B40H          | 40           | 6.650          | 6.373  | 3/4       | 2 3/8 | 3 1/2    | 1      | 4.69      |
| 40B41           | 41           | 6.810          | 6.532  | 3/4       | 2 3/8 | 3 1/2    | 1      | 4.76      |
| 40B42           | 42           | 6.970          | 6.691  | 3/4       | 2 3/8 | 3 1/2    | 11/8   | 4.82      |
| 40B45           | 45           | 7.450          | 7.168  | 3/4       | 2 3/8 | 3 1/2    | 11/8   | 5.30      |
| 40B47           | 47           | 7.770          | 7.486  | 3/4       | 2 3/8 | 3 1/2    | 11/8   | 5.44      |
| 40B48           | 48           | 7.930          | 7.645  | 3/4       | 2 3/8 | 3 1/2    | 11/8   | 5.84      |
| 40B50           | 50           | 8.250          | 7.963  | 3/4       | 2 3/8 | 3 1/2    | 11/8   | 5.96      |
| 40B54           | 54           | 8.890          | 8.599  | 3/4       | 2 3/8 | 3 1/2    | 11/8   | 6.42      |
| 40B60           | 60           | 9.840          | 9.554  | 3/4       | 2 3/8 | 3 1/2    | 11/8   | 7.86      |
| 40B70           | 70           | 11.430         | 11.145 | 3/4       | 2 3/4 | 4        | 11/4   | 11.00     |
| 40B72           | 72           | 11.750         | 11.463 | 3/4       | 2 3/4 | 4        | 11/4   | 11.50     |
| 40B80           | 80           | 13.030         | 12.736 | 3/4       | 2 3/4 | 4        | 11/4   | 13.40     |
| 40B84           | 84           | 13.660         | 13.372 | 3/4       | 2 3/4 | 4        | 11/4   | 14.04     |
| 40B96           | 96           | 15.570         | 15.281 | 1         | 2 3/4 | 4        | 11/4   | 17.56     |
| 40B112          | 112          | 18.120         | 17.828 | 1         | 2 3/4 | 4        | 11/4   | 22.56     |

(H) = With hardened teeth.

\*Has recessed groove in hub for chain clearance. Maximum bores shown will accommodate standard keyway and setscrew over key-seat. Slightly larger bores are possible with no keyway, shallow keyway or setscrew at an angle to keyway.

# SPROCKETS

SPROCKET #40 – 1/2" PITCH | NOMINAL = 0.284"

| SINGLE – TYPE A |           |           |
|-----------------|-----------|-----------|
| Part no.        | Bore (in) | Weight lb |
|                 | Stock     |           |
| 40A12           | 1/2       | 0.18      |
| 40A13           | 1/2       | 0.22      |
| 40A14           | 1/2       | 0.26      |
| 40A15           | 5/8       | 0.30      |
| 40A16           | 5/8       | 0.34      |
| 40A17           | 5/8       | 0.36      |
| 40A18           | 5/8       | 0.44      |
| 40A19           | 5/8       | 0.46      |
| 40A20           | 5/8       | 0.56      |
| 40A21           | 5/8       | 0.58      |
| 40A22           | 5/8       | 0.66      |
| 40A23           | 5/8       | 0.72      |
| 40A24           | 5/8       | 0.82      |
| 40A25           | 5/8       | 0.88      |
| 40A26           | 5/8       | 0.94      |
| 40A27           | 5/8       | 0.98      |
| 40A28           | 5/8       | 1.10      |
| 40A30           | 19/32     | 1.26      |
| 40A32           | 19/32     | 1.48      |
| 40A33           | 19/32     | 1.56      |
| 40A34           | 19/32     | 1.64      |
| 40A35           | 19/32     | 1.70      |
| 40A36           | 19/32     | 1.84      |
| 40A38           | 19/32     | 2.00      |
| 40A39           | 19/32     | 2.02      |
| 40A40           | 23/32     | 2.22      |
| 40A41           | 23/32     | 2.42      |
| 40A42           | 23/32     | 2.50      |
| 40A45           | 23/32     | 3.15      |
| 40A47           | 23/32     | 3.22      |
| 40A48           | 23/32     | 3.32      |
| 40A50           | 23/32     | 3.62      |
| 40A54           | 23/32     | 4.44      |
| 40A60           | 23/32     | 5.48      |
| 40A70           | 23/32     | 7.24      |
| 40A72           | 23/32     | 7.74      |
| 40A80           | 23/32     | 10.20     |
| 40A84           | 23/32     | 11.07     |
| 40A96           | 15/16     | 12.15     |
| 40A112          | 15/16     | 20.00     |

| SINGLE – TYPE FB – FINISH BORE |              |                |        |          |           |                        |                             |     |   |       |      |
|--------------------------------|--------------|----------------|--------|----------|-----------|------------------------|-----------------------------|-----|---|-------|------|
| Part no.                       | No. of teeth | Diameters (in) |        | Hub (in) | Weight lb | Stock finish bore (in) |                             |     |   |       |      |
|                                |              | Outside        | Pitch  |          |           | L.T.B.                 | Includes keyway & setscrews |     |   |       |      |
| 40FB10H                        | 10           | 1.840          | 1.618  | 7/8      | 0.24      | 5/8                    | 3/4                         |     |   |       |      |
| 40FB11H                        | 11           | 2.000          | 1.775  | 7/8      | 0.28      | 5/8                    | 3/4                         | 7/8 |   |       |      |
| 40FB12H                        | 12           | 2.170          | 1.932  | 7/8      | 0.34      | 5/8                    | 3/4                         | 7/8 | 1 |       |      |
| 40FB13H                        | 13           | 2.330          | 2.089  | 7/8      | 0.45      | 5/8                    | 3/4                         | 7/8 | 1 |       |      |
| 40FB14H                        | 14           | 2.490          | 2.247  | 7/8      | 0.51      | 5/8                    | 3/4                         | 7/8 | 1 |       |      |
| 40FB15H                        | 15           | 2.650          | 2.405  | 7/8      | 0.53      | 5/8                    | 3/4                         | 7/8 | 1 | 11/8  |      |
| 40FB16H                        | 16           | 2.810          | 2.563  | 7/8      | 0.66      | 5/8                    | 3/4                         | 7/8 | 1 | 11/8  | 11/4 |
| 40FB17H                        | 17           | 2.980          | 2.721  | 1        | 0.88      | 5/8                    | 3/4                         | 7/8 | 1 | 11/8  | 11/4 |
| 40FB18H                        | 18           | 3.140          | 2.879  | 1        | 1.03      | 5/8                    | 3/4                         | 7/8 | 1 | 11/8  | 11/4 |
| 40FB19H                        | 19           | 3.300          | 3.038  | 1        | 1.17      | 5/8                    | 3/4                         | 7/8 | 1 | 11/8  | 11/4 |
| 40FB20H                        | 20           | 3.460          | 3.196  | 1        | 1.33      | 5/8                    | 3/4                         | 7/8 | 1 | 11/8  | 11/4 |
| 40FB21H                        | 21           | 3.620          | 3.355  | 1        | 1.53      | 5/8                    | 3/4                         | 7/8 | 1 | 11/8  | 11/4 |
| 40FB22H                        | 22           | 3.780          | 3.513  | 1        | 1.66      | 5/8                    | 3/4                         | 7/8 | 1 | 11/8  | 11/4 |
| 40FB23H                        | 23           | 3.940          | 3.672  | 1        | 1.92      | 5/8                    | 3/4                         | 7/8 | 1 | 11/8  | 11/4 |
| 40FB24H                        | 24           | 4.100          | 3.831  | 1        | 2.10      | 5/8                    | 3/4                         | 7/8 | 1 | 11/8  | 11/4 |
| 40FB25H                        | 25           | 4.260          | 3.989  | 1        | 2.22      | 5/8                    | 3/4                         | 7/8 | 1 | 11/8  | 11/4 |
| 40FB26H                        | 26           | 4.420          | 4.148  | 1        | 2.34      | 5/8                    | 3/4                         | 7/8 | 1 | 11/8  | 11/4 |
| 40FB27H                        | 27           | 4.580          | 4.307  | 1        | 2.42      | 5/8                    | 3/4                         | 7/8 | 1 | 11/8  | 11/4 |
| 40FB28H                        | 28           | 4.740          | 4.466  | 1        | 2.50      | 5/8                    | 3/4                         | 7/8 | 1 | 11/8  | 11/4 |
| 40FB30H                        | 30           | 5.060          | 4.783  | 1        | 2.70      | 5/8                    | 3/4                         | 7/8 | 1 | 11/8  | 11/4 |
| 40FB32H                        | 32           | 5.380          | 5.101  | 1        | 3.00      |                        | 3/4                         | 7/8 | 1 | 1-1/8 | 11/4 |
| 40FB36H                        | 36           | 6.020          | 5.737  | 1        | 3.39      |                        | 3/4                         | 7/8 | 1 | 11/8  | 11/4 |
| 40FB40H                        | 40           | 6.650          | 6.373  | 1        | 4.28      |                        | 3/4                         | 7/8 | 1 | 11/8  | 11/4 |
| 40FB45                         | 45           | 7.450          | 7.168  | 1        | 5.06      |                        | 3/4                         | 7/8 | 1 | 11/8  | 11/4 |
| 40FB50                         | 50           | 8.250          | 7.963  | 11/8     | 5.78      |                        | 3/4                         | 7/8 | 1 | 11/8  | 11/4 |
| 40FB54                         | 54           | 8.890          | 8.599  | 11/8     | 6.24      |                        | 3/4                         | 7/8 | 1 | 11/8  | 11/4 |
| 40FB56                         | 56           | 9.200          | 8.917  | 11/8     | 6.71      |                        | 3/4                         | 7/8 | 1 | 11/8  | 11/4 |
| 40FB60                         | 60           | 9.840          | 9.554  | 11/8     | 7.68      |                        | 3/4                         | 7/8 | 1 | 11/8  | 11/4 |
| 40FB72                         | 72           | 11.750         | 11.463 | 11/4     | 11.30     |                        | 3/4                         | 7/8 | 1 | 11/8  | 11/4 |
| 40FB80                         | 80           | 13.030         | 12.736 | 11/4     | 13.20     |                        | 3/4                         | 7/8 | 1 | 11/8  | 11/4 |
| 40FB84                         | 84           | 13.660         | 13.372 | 11/4     | 13.84     |                        | 3/4                         | 7/8 | 1 | 11/8  | 11/4 |
| 40FB96                         | 96           | 15.570         | 15.281 | 11/4     | 17.44     |                        |                             |     | 1 | 11/8  | 11/4 |

(H) = With hardened teeth.

Keyway is on center line of tooth. All sprockets are one piece-construction



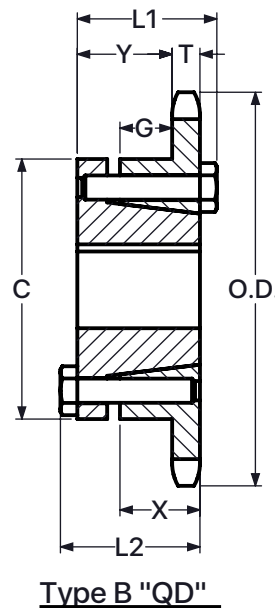


# SPROCKETS

SPROCKET #40 – 1/2" PITCH | NOMINAL = 0.284"

| SINGLE – TYPE QD |              |                |        |         |                |                 |        |         |       |       |       |           |
|------------------|--------------|----------------|--------|---------|----------------|-----------------|--------|---------|-------|-------|-------|-----------|
| Part no.         | No. of teeth | Diameters (in) |        | Bushing | Bore (in) Max. | Dimensions (in) |        |         |       |       |       | Weight lb |
|                  |              | Outside        | Pitch  |         |                | L1              | L2     | C       | Y     | G     | X     |           |
| 40JA15H          | 15           | 2.650          | 2.405  | JA      | 1 1/4          | 1 1/8           | 1 1/8  | 2 1/16  | 23/32 | 11/32 | 5/8   | 0.34      |
| 40JA16H          | 16           | 2.810          | 2.563  | JA      |                |                 |        |         |       |       |       | 0.40      |
| 40JA17H          | 17           | 2.980          | 2.721  | JA      |                |                 |        |         |       |       |       | 0.48      |
| 40JA18H          | 18           | 3.140          | 2.879  | JA      |                |                 |        |         |       |       |       | 0.54      |
| 40JA19H          | 19           | 3.300          | 3.038  | JA      |                |                 |        |         |       |       |       | 0.60      |
| 40JA20H          | 20           | 3.460          | 3.196  | JA      |                |                 |        |         |       |       |       | 0.76      |
| 40SH21H          | 21           | 3.620          | 3.355  | SH      | 1 5/8          | 1 7/16          | 1 7/16 | 2 11/16 | 31/32 | 17/32 | 13/16 | 0.84      |
| 40S H22H         | 22           | 3.780          | 3.513  | SH      |                |                 |        |         |       |       |       | 0.92      |
| 40SH23H          | 23           | 3.940          | 3.672  | SH      |                |                 |        |         |       |       |       | 1.14      |
| 40SH24H          | 24           | 4.100          | 3.831  | SH      |                |                 |        |         |       |       |       | 1.22      |
| 40SH25H          | 25           | 4.260          | 3.989  | SH      |                |                 |        |         |       |       |       | 1.30      |
| 40SH26H          | 26           | 4.420          | 4.148  | SH      |                |                 |        |         |       |       |       | 1.44      |
| 40SH27H          | 27           | 4.580          | 4.307  | SH      |                |                 |        |         |       |       |       | 1.46      |
| 40SH28H          | 28           | 4.740          | 4.466  | SH      |                |                 |        |         |       |       |       | 1.54      |
| 40SH30H          | 30           | 5.060          | 4.873  | SH      |                |                 |        |         |       |       |       | 1.72      |
| 40S H32H         | 32           | 5.380          | 5.101  | SH      |                |                 |        |         |       |       |       | 1.90      |
| 40SH35H          | 35           | 5.860          | 5.578  | SH      | 2.22           |                 |        |         |       |       |       |           |
| 40SDS36H         | 36           | 6.020          | 5.737  | SDS     | 2              | 1 1/2           | 1 1/2  | 3 3/16  | 11/32 | 1/2   | 3/4   | 2.20      |
| 40SDS40H         | 40           | 6.650          | 6.373  | SDS     |                |                 |        |         |       |       |       | 2.72      |
| 40SDS42          | 42           | 6.970          | 6.691  | SDS     |                |                 |        |         |       |       |       | 2.92      |
| 40SDS45          | 45           | 7.450          | 7.168  | SDS     |                |                 |        |         |       |       |       | 3.32      |
| 40SDS48          | 48           | 7.930          | 7.645  | SDS     |                |                 |        |         |       |       |       | 3.7       |
| 40SDS54          | 54           | 8.890          | 8.599  | SDS     |                |                 |        |         |       |       |       | 4.78      |
| 40SDS60          | 60           | 9.840          | 9.554  | SDS     |                |                 |        |         |       |       |       | 5.86      |
| 40SK70           | 70           | 11.430         | 11.145 | SK      |                |                 |        |         |       |       |       | 7.42      |
| 40SK80           | 80           | 13.030         | 12.736 | SK      |                |                 |        |         |       |       |       | 9.64      |
| 40SK96           | 96           | 15.570         | 15.281 | SK      |                |                 |        |         |       |       |       | 12.82     |

(H) = With hardened teeth.

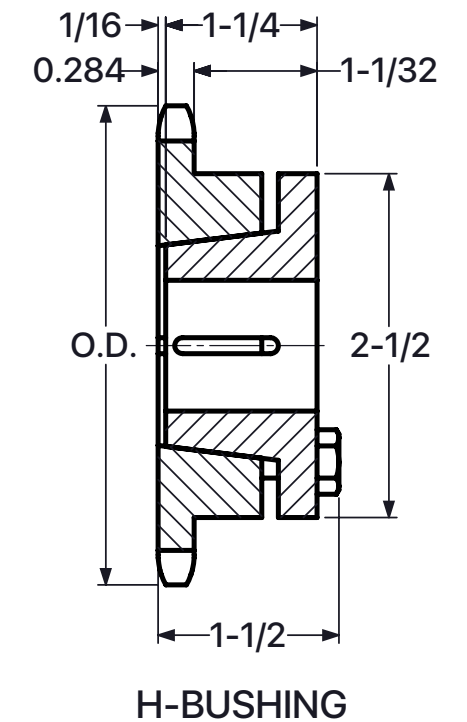


# SPROCKETS

SPROCKET #40 – 1/2" PITCH | NOMINAL = 0.284"

| SINGLE – SPLIT TAPER SPROCKETS – WITH HARDENED TEETH |              |                |       |           |
|--|--------------|----------------|-------|-----------|
| Part no.   | No. of teeth | Diameters (in) |       | Weight lb |
|  |              | Outside        | Pitch |           |
| 40H 15H  | 15           | 2.650          | 2.405 | 0.50      |
| 40H16H   | 16           | 2.810          | 2.563 | 0.60      |
| 40H17H   | 17           | 2.980          | 2.721 | 0.65      |
| 40H18H   | 18           | 3.140          | 2.879 | 0.70      |
| 40H19H   | 19           | 3.300          | 3.038 | 0.80      |
| 40H20H   | 20           | 3.460          | 3.196 | 0.85      |
| 40H21H   | 21           | 3.620          | 3.355 | 0.90      |
| 40H22H   | 22           | 3.780          | 3.513 | 0.95      |
| 40H23H   | 23           | 3.940          | 3.672 | 1.00      |
| 40H24H   | 24           | 4.100          | 3.831 | 1.20      |
| 40H25H   | 25           | 4.260          | 3.989 | 1.30      |
| 40H26H   | 26           | 4.420          | 4.148 | 1.40      |
| 40H27H   | 27           | 4.580          | 4.307 | 1.45      |
| 40H28H   | 28           | 4.740          | 4.466 | 1.50      |
| 40H29H   | 29           | 4.900          | 4.625 | 1.55      |
| 40H30H   | 30           | 5.060          | 4.873 | 1.60      |
| 40H32H   | 32           | 5.380          | 5.101 | 1.80      |
| 40H33H   | 33           | 5.540          | 5.260 | 1.90      |
| 40H34H   | 34           | 5.700          | 5.419 | 2.00      |
| 40H35H   | 35           | 5.860          | 5.578 | 2.10      |
| 40H36H   | 36           | 6.020          | 5.737 | 2.30      |
| 40H38H   | 38           | 6.330          | 6.055 | 2.60      |
| 40H40H   | 40           | 6.650          | 6.373 | 2.80      |

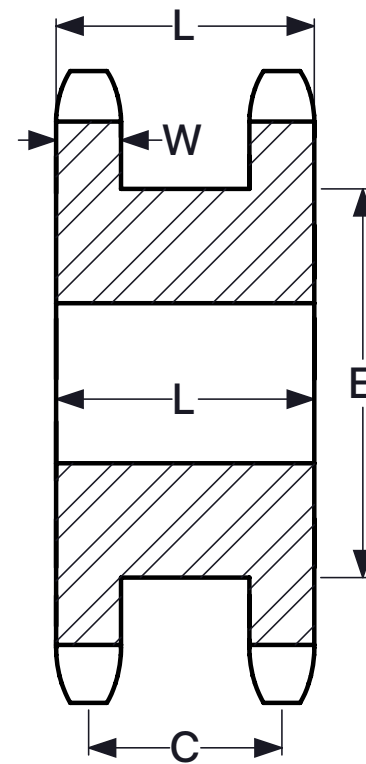
\*All sprockets above fit the H bushing, max. bore 1 1/2"



# SPROCKETS

SPROCKETS #D40 & DS40 – 1/2" PITCH | NOMINAL = 0.275"

| DOUBLE – TYPE B |              |                |        |           |       |          |        |           |
|-----------------|--------------|----------------|--------|-----------|-------|----------|--------|-----------|
| Part no.        | No. of teeth | Diameters (in) |        | Bore (in) |       | Hub (in) |        | Weight lb |
|                 |              | Outside        | Pitch  | Stock     | Max   | Dia.     | L.T.B. |           |
| D40B11H         | 11           | 2.000          | 1.775  | 1/2       | 3/4   | 17/16*   | 11/2   | 0.62      |
| D40B12H         | 12           | 2.170          | 1.932  | 1/2       | 15/16 | 19/16*   | 11/2   | 0.76      |
| D40B13H         | 13           | 2.330          | 2.089  | 1/2       | 1     | 11/2     | 11/2   | 0.86      |
| D40B14H         | 14           | 2.490          | 2.247  | 1/2       | 11/8  | 111/16   | 11/2   | 1.08      |
| D40B15H         | 15           | 2.650          | 2.405  | 1/2       | 11/4  | 113/16   | 11/2   | 1.24      |
| D40B16H         | 16           | 2.810          | 2.563  | 5/8       | 13/8  | 2        | 11/2   | 1.42      |
| D40B17H         | 17           | 2.980          | 2.721  | 5/8       | 17/16 | 2 1/8    | 11/2   | 1.64      |
| D40B18H         | 18           | 3.140          | 2.879  | 5/8       | 11/2  | 2 5/16   | 11/2   | 1.92      |
| D40B19H         | 19           | 3.300          | 3.038  | 5/8       | 13/4  | 2 1/2    | 11/2   | 2.22      |
| D40B20H         | 20           | 3.460          | 3.196  | 5/8       | 17/8  | 2 5/8    | 15/8   | 2.64      |
| D40B21H         | 21           | 3.620          | 3.355  | 5/8       | 17/8  | 2 3/4    | 15/8   | 2.94      |
| D40B22H         | 22           | 3.780          | 3.513  | 5/8       | 17/8  | 2 7/8    | 15/8   | 3.18      |
| D40B23H         | 23           | 3.940          | 3.672  | 5/8       | 2     | 3        | 15/8   | 3.52      |
| D40B24H         | 24           | 4.100          | 3.831  | 5/8       | 2 1/4 | 3 1/4    | 15/8   | 4.04      |
| D40B25H         | 25           | 4.260          | 3.989  | 5/8       | 2 1/4 | 3 1/4    | 15/8   | 4.26      |
| D40B26H         | 26           | 4.420          | 4.148  | 5/8       | 2 1/4 | 3 1/4    | 15/8   | 4.48      |
| D40B27H         | 27           | 4.580          | 4.307  | 5/8       | 2 1/4 | 3 1/4    | 15/8   | 4.62      |
| D40B28H         | 28           | 4.740          | 4.466  | 5/8       | 2 1/4 | 3        | 15/8   | 4.86      |
| D40B29H         | 29           | 4.900          | 4.670  | 5/8       | 2 1/4 | 3 1/4    | 15/8   | 5.18      |
| D40B30H         | 30           | 5.060          | 4.873  | 7/8       | 2 1/4 | 3 1/4    | 15/8   | 5.34      |
| D40B35H         | 35           | 5.860          | 5.578  | 7/8       | 2 1/4 | 3 1/4    | 15/8   | 6.80      |
| D40B36H         | 36           | 6.020          | 5.737  | 15/16     | 2 1/2 | 3 3/4    | 15/8   | 7.20      |
| D40B40H         | 40           | 6.650          | 6.373  | 15/16     | 2 1/2 | 3 3/4    | 13/4   | 9.40      |
| D40B42          | 42           | 6.970          | 6.691  | 15/16     | 2 1/2 | 3 3/4    | 13/4   | 10.20     |
| D40B45          | 45           | 7.450          | 7.168  | 15/16     | 3     | 4        | 13/4   | 11.36     |
| D40B48          | 48           | 7.930          | 7.645  | 15/16     | 2 1/2 | 3 3/4    | 13/4   | 12.66     |
| D40B54          | 54           | 8.890          | 8.599  | 15/16     | 2 1/2 | 3 3/4    | 13/4   | 15.48     |
| D40B60          | 60           | 9.840          | 9.554  | 15/16     | 2 1/2 | 3 3/4    | 13/4   | 18.60     |
| D40B72          | 72           | 11.750         | 11.463 | 13/16     | 2 3/4 | 4 1/4    | 2 1/8  | 27.88     |
| D40B84          | 84           | 13.660         | 13.372 | 13/16     | 2 3/4 | 4        | 2 1/8  | 36.24     |
| D40B96          | 96           | 15.570         | 15.281 | 13/16     | 2 3/4 | 4 1/4    | 2 1/8  | 39.50     |



A- Type

| 1-13/32 DOUBLE SINGLE – TYPE A |              |                   |           |        |                 |      |         |           |
|--------------------------------|--------------|-------------------|-----------|--------|-----------------|------|---------|-----------|
| Part no.                       | No. of teeth | Outside dia. (in) | Bore (in) |        | Dimensions (in) |      |         | Weight lb |
|                                |              |                   | Min.      | Max    | L               | C    | E       |           |
| DS40A15H                       | 15           | 2.650             | 0.500     | 11/4   | 113/32          | 11/8 | 113/16  | 1.20      |
| DS40A16H                       | 16           | 2.810             | 0.500     | 11/4   | 113/32          | 11/8 | 2       | 1.40      |
| DS40A17H                       | 17           | 2.980             | 0.500     | 15/16  | 113/32          | 11/8 | 2 1/8   | 1.60      |
| DS40A18H                       | 18           | 3.140             | 0.500     | 11/2   | 113/32          | 11/8 | 2 5/16  | 1.80      |
| DS40A19H                       | 19           | 3.300             | 0.625     | 111/16 | 113/32          | 11/8 | 2 1/2   | 2.20      |
| DS40A20H                       | 20           | 3.460             | 0.625     | 13/4   | 113/32          | 11/8 | 2 5/8   | 2.60      |
| DS40A21H                       | 21           | 3.620             | 0.625     | 13/4   | 113/32          | 11/8 | 2 25/32 | 2.90      |
| DS40A22H                       | 22           | 3.780             | 0.625     | 113/16 | 113/32          | 11/8 | 2 15/16 | 3.00      |
| DS40A23H                       | 23           | 3.940             | 0.625     | 2 1/16 | 113/32          | 11/8 | 3 3/32  | 3.50      |
| DS40A24H                       | 24           | 4.100             | 0.625     | 2 1/4  | 113/32          | 11/8 | 3 17/64 | 4.00      |

(H) = With hardened teeth.

Maximum bores shown will accommodate standard keyway and setscrew over keyseat.

Slightly larger bores are possible with no keyseat, shallow keyseat or setscrew at an angle to keyseat.

# SPROCKETS

SPROCKET #41 – 1/2" PITCH | NOMINAL = 0.227"

| SINGLE – TYPE B |              |                |        |           |       |          |        |           |
|-----------------|--------------|----------------|--------|-----------|-------|----------|--------|-----------|
| Part no.        | No. of teeth | Diameters (in) |        | Bore (in) |       | Hub (in) |        | Weight lb |
|                 |              | Outside        | Pitch  | Stock     | Max.  | Dia.     | L.T.B. |           |
| 41B8H           | 8            | 1.510          | 1.307  | 1/2       | 1/2   | 63/64*   | 7/8    | 0.19      |
| 41B9H           | 9            | 1.670          | 1.462  | 1/2       | 5/8   | 11/8*    | 7/8    | 0.20      |
| 41B10H          | 10           | 1.840          | 1.618  | 1/2       | 3/4   | 11/4*    | 7/8    | 0.27      |
| 41B11H          | 11           | 2.000          | 1.775  | 1/2       | 7/8   | 1 7/16*  | 7/8    | 0.35      |
| 41B12H          | 12           | 2.170          | 1.932  | 1/2       | 15/16 | 19/16*   | 7/8    | 0.44      |
| 41B13H          | 13           | 2.330          | 2.089  | 1/2       | 1     | 19/16    | 7/8    | 0.50      |
| 41B14H          | 14           | 2.490          | 2.247  | 1/2       | 11/4  | 13/4     | 7/8    | 0.57      |
| 41B15H          | 15           | 2.650          | 2.405  | 1/2       | 15/16 | 129/32   | 7/8    | 0.72      |
| 41B16H          | 16           | 2.810          | 2.563  | 5/8       | 13/8  | 2 1/16   | 7/8    | 0.91      |
| 41B17H          | 17           | 2.980          | 2.721  | 5/8       | 11/2  | 2 15/16  | 1      | 1.09      |
| 41B18H          | 18           | 3.140          | 2.879  | 5/8       | 15/8  | 2 3/8    | 1      | 1.25      |
| 41B19H          | 19           | 3.300          | 3.038  | 5/8       | 13/4  | 2 15/16  | 1      | 1.49      |
| 41B20H          | 20           | 3.460          | 3.196  | 5/8       | 17/8  | 2 3/4    | 1      | 1.64      |
| 41B21H          | 21           | 3.620          | 3.355  | 5/8       | 17/8  | 3        | 1      | 1.81      |
| 41B22H          | 22           | 3.780          | 3.513  | 5/8       | 2     | 3        | 1      | 1.93      |
| 41B23H          | 23           | 3.940          | 3.672  | 5/8       | 2 1/4 | 3        | 1      | 2.25      |
| 41B24H          | 24           | 4.100          | 3.831  | 5/8       | 2 1/4 | 3        | 1      | 2.33      |
| 41B25H          | 25           | 4.260          | 3.989  | 5/8       | 2 1/4 | 3        | 1      | 2.46      |
| 41B26H          | 26           | 4.420          | 4.148  | 5/8       | 2 1/4 | 3        | 1      | 2.50      |
| 41B27H          | 27           | 4.580          | 4.307  | 5/8       | 2 1/4 | 3        | 1      | 2.56      |
| 41B28H          | 28           | 4.740          | 4.466  | 5/8       | 2 1/4 | 3        | 1      | 2.64      |
| 41B30H          | 30           | 5.060          | 4.783  | 5/8       | 2 1/4 | 3        | 1      | 2.80      |
| 41B32H          | 32           | 5.380          | 5.101  | 5/8       | 2 1/4 | 3        | 1      | 2.96      |
| 41B35H          | 35           | 5.860          | 5.307  | 5/8       | 2 3/8 | 3 1/4    | 1      | 3.12      |
| 41B36H          | 36           | 6.020          | 5.737  | 5/8       | 2 3/8 | 3 1/4    | 1      | 3.32      |
| 41B40H          | 40           | 6.650          | 6.373  | 3/4       | 2 3/8 | 3 1/4    | 1      | 4.06      |
| 41B42           | 42           | 6.970          | 6.691  | 3/4       | 2 3/8 | 3 1/2    | 1      | 4.10      |
| 41B45           | 45           | 7.450          | 7.168  | 3/4       | 2 3/8 | 3 1/2    | 1      | 4.18      |
| 41B48           | 48           | 7.930          | 7.645  | 3/4       | 2 3/8 | 3-1/2    | 1      | 4.92      |
| 41B54           | 54           | 8.890          | 8.599  | 3/4       | 2 3/8 | 3-1/2    | 1      | 5.68      |
| 41B60           | 60           | 9.840          | 9.554  | 3/4       | 2 3/8 | 3-1/2    | 1      | 6.78      |
| 41B70           | 70           | 11.430         | 11.145 | 3/4       | 2 3/4 | 4        | 1 3/16 | 10.20     |
| 41B72           | 72           | 11.750         | 11.463 | 3/4       | 2 3/4 | 4        | 1 3/16 | 10.55     |
| 41B80           | 80           | 13.030         | 12.736 | 3/4       | 2 3/4 | 4        | 1 3/16 | 12.40     |
| 41B84           | 84           | 13.660         | 13.372 | 3/4       | 2 3/4 | 4        | 1 3/16 | 13.04     |
| 41B96           | 96           | 15.570         | 15.281 | 1         | 2 3/4 | 4        | 1 3/16 | 16.25     |

(H) = With hardened teeth.

\*Has recessed groove in hub for chain clearance. Maximum bores shown will accommodate standard keyway and setscrew over keyseat. Slightly larger bores are possible with no keyway, shallow keyway or setscrew at an angle to keyway.



| SINGLE – TYPE A |                 |           |
|-----------------|-----------------|-----------|
| Part no.        | Bore (in) Stock | Weight lb |
| 41A15           | 5/8             | 0.28      |
| 41A16           | 5/8             | 0.34      |
| 41A17           | 5/8             | 0.36      |
| 41A18           | 5/8             | 0.44      |
| 41A19           | 5/8             | 0.46      |
| 41A20           | 5/8             | 0.52      |
| 41A21           | 5/8             | 0.60      |
| 41A22           | 5/8             | 0.66      |
| 41A23           | 5/8             | 0.72      |
| 41A24           | 5/8             | 0.82      |
| 41A25           | 5/8             | 0.88      |
| 41A26           | 5/8             | 0.94      |
| 41A27           | 5/8             | 1.00      |
| 41A28           | 5/8             | 1.08      |
| 41A30           | 19/32           | 1.20      |
| 41A32           | 19/32           | 1.44      |
| 41A35           | 19/32           | 1.70      |
| 41A36           | 19/32           | 1.84      |
| 41A40           | 23/32           | 2.22      |
| 41A42           | 23/32           | 2.50      |
| 41A45           | 23/32           | 2.52      |
| 41A48           | 23/32           | 2.92      |
| 41A54           | 23/32           | 3.54      |
| 41A60           | 23/32           | 4.60      |

# SPROCKETS

SPROCKET #50 – 5/8" PITCH | NOMINAL = 0.343"

| SINGLE – TYPE B |              |                |        |           |       |          |        |           |
|-----------------|--------------|----------------|--------|-----------|-------|----------|--------|-----------|
| Part no.        | No. of teeth | Diameters (in) |        | Bore (in) |       | Hub (in) |        | Weight lb |
|                 |              | Outside        | Pitch  | Stock     | Max   | Dia.     | L.T.B. |           |
| 50B8H           | 8            | 1.880          | 1.633  | 5/8       | 5/8   | 11/8*    | 1      | 0.25      |
| 50B9H           | 9            | 2.090          | 1.827  | 5/8       | 3/4   | 13/8*    | 1      | 0.36      |
| 50B10H          | 10           | 2.300          | 2.023  | 5/8       | 7/8   | 19/16*   | 1      | 0.48      |
| 50B11H          | 11           | 2.500          | 2.219  | 5/8       | 1     | 13/4*    | 1      | 0.64      |
| 50B12H          | 12           | 2.710          | 2.415  | 5/8       | 11/4  | 163/64*  | 1      | 0.83      |
| 50B13H          | 13           | 2.910          | 2.612  | 5/8       | 15/16 | 17/8     | 1      | 0.88      |
| 50B14H          | 14           | 3.110          | 2.809  | 5/8       | 17/16 | 21/8     | 1      | 1.13      |
| 50B15H          | 15           | 3.320          | 3.006  | 5/8       | 11/2  | 23/8     | 1      | 1.34      |
| 50B16H          | 16           | 3.520          | 3.204  | 5/8       | 17/8  | 3        | 1      | 1.51      |
| 50B17H          | 17           | 3.720          | 3.401  | 5/8       | 17/8  | 211/16   | 1      | 1.74      |
| 50B18H          | 18           | 3.920          | 3.599  | 5/8       | 17/8  | 27/8     | 1      | 2.00      |
| 50B19H          | 19           | 4.120          | 3.797  | 5/8       | 2     | 3        | 1      | 2.22      |
| 50B20H          | 20           | 4.320          | 3.995  | 3/4       | 2     | 3        | 1      | 2.28      |
| 50B21H          | 21           | 4.520          | 4.194  | 3/4       | 2     | 3        | 1      | 2.40      |
| 50B22H          | 22           | 4.720          | 4.392  | 3/4       | 2     | 3        | 1      | 2.56      |
| 50B23H          | 23           | 4.920          | 4.590  | 3/4       | 2     | 3        | 1      | 2.66      |
| 50B24H          | 24           | 5.120          | 4.788  | 3/4       | 2     | 3        | 11/4   | 3.30      |
| 50B25H          | 25           | 5.320          | 4.986  | 3/4       | 2     | 3        | 11/4   | 3.40      |
| 50B26H          | 26           | 5.520          | 5.185  | 3/4       | 2     | 3        | 11/4   | 3.44      |
| 50B27H          | 27           | 5.720          | 5.384  | 3/4       | 2     | 3        | 11/4   | 3.74      |
| 50B28H          | 28           | 5.920          | 5.582  | 3/4       | 2     | 3        | 11/4   | 3.80      |
| 50B29H          | 29           | 6.120          | 5.781  | 3/4       | 2     | 3        | 11/4   | 4.06      |
| 50B30H          | 30           | 6.320          | 5.979  | 3/4       | 21/4  | 31/4     | 11/4   | 4.56      |
| 50B31H          | 31           | 6.520          | 6.178  | 3/4       | 21/4  | 31/4     | 11/4   | 4.74      |
| 50B32H          | 32           | 6.720          | 6.376  | 3/4       | 21/4  | 31/4     | 11/4   | 4.96      |
| 50B33H          | 33           | 6.920          | 6.575  | 3/4       | 21/4  | 31/4     | 11/4   | 5.20      |
| 50B34H          | 34           | 7.120          | 6.774  | 3/4       | 21/4  | 31/4     | 11/4   | 5.14      |
| 50B35H          | 35           | 7.320          | 6.972  | 3/4       | 21/4  | 31/4     | 11/4   | 5.44      |
| 50B36           | 36           | 7.520          | 7.171  | 3/4       | 21/4  | 31/4     | 11/4   | 5.64      |
| 50B38           | 38           | 7.920          | 7.569  | 3/4       | 21/4  | 31/4     | 11/4   | 6.08      |
| 50B39           | 39           | 8.120          | 7.767  | 3/4       | 21/4  | 31/4     | 11/4   | 6.30      |
| 50B40           | 40           | 8.320          | 7.966  | 3/4       | 21/4  | 31/4     | 11/4   | 6.50      |
| 50B41           | 41           | 8.520          | 8.165  | 3/4       | 21/4  | 31/4     | 11/4   | 6.70      |
| 50B42           | 42           | 8.720          | 8.363  | 3/4       | 21/4  | 31/4     | 11/4   | 6.96      |
| 50B44           | 44           | 9.110          | 8.761  | 3/4       | 21/4  | 31/4     | 11/4   | 7.58      |
| 50B45           | 45           | 9.310          | 8.960  | 3/4       | 21/2  | 33/4     | 11/4   | 8.58      |
| 50B48           | 48           | 9.910          | 9.556  | 1         | 21/2  | 33/4     | 11/4   | 9.28      |
| 50B50           | 50           | 10.310         | 9.954  | 1         | 21/2  | 33/4     | 11/4   | 9.88      |
| 50B52           | 52           | 10.710         | 10.351 | 1         | 3     | 33/4     | 1-1/4  | 10.24     |
| 50B54           | 54           | 11.110         | 10.749 | 1         | 21/2  | 33/4     | 11/4   | 11.00     |
| 50B60           | 60           | 12.300         | 11.942 | 1         | 21/2  | 33/4     | 11/4   | 13.00     |
| 50B70           | 70           | 14.290         | 13.931 | 1         | 21/2  | 33/4     | 13/4   | 18.16     |
| 50B72           | 72           | 14.690         | 14.329 | 1         | 21/2  | 33/4     | 13/4   | 19.48     |
| 50B76           | 76           | 15.486         | 15.124 | 1         | 21/2  | 33/4     | 13/4   | 21.00     |
| 50B80           | 80           | 16.280         | 15.920 | 1         | 23/4  | 41/4     | 13/4   | 24.74     |
| 50B84           | 84           | 17.080         | 16.715 | 1         | 23/4  | 41/4     | 13/4   | 25.50     |
| 50B96           | 96           | 19.470         | 19.102 | 1         | 23/4  | 41/4     | 13/4   | 32.92     |
| 50B112          | 112          | 22.650         | 22.285 | 1         | 23/4  | 41/4     | 13/4   | 42.00     |

# SPROCKETS

SPROCKET #50 – 5/8" PITCH | NOMINAL = 0.343"

| SINGLE – TYPE FB – FINISH BORE |              |                |        |                 |           |                             |     |     |      |      |       |
|--------------------------------|--------------|----------------|--------|-----------------|-----------|-----------------------------|-----|-----|------|------|-------|
| Part no.                       | No. of teeth | Diameters (in) |        | Hub (in) L.T.B. | Weight lb | Stock finish bore (in)      |     |     |      |      |       |
|                                |              | Outside        | Pitch  |                 |           | Includes keyway & setscrews |     |     |      |      |       |
| 50FB10H                        | 10           | 2.300          | 2.023  | 1               | 0.30      | 5/8                         | 3/4 | 7/8 |      |      |       |
| 50FB11H                        | 11           | 2.500          | 2.219  | 1               | 0.60      | 5/8                         | 3/4 | 7/8 |      |      |       |
| 50FB12H                        | 12           | 2.710          | 2.415  | 1               | 0.70      | 5/8                         | 3/4 | 7/8 |      |      |       |
| 50FB13H                        | 13           | 2.910          | 2.612  | 1               | 0.80      | 5/8                         | 3/4 | 7/8 | 11/8 | 11/4 | 17/16 |
| 50FB14H                        | 14           | 3.110          | 2.809  | 1               | 1.00      | 5/8                         | 3/4 | 7/8 | 11/8 | 11/4 | 17/16 |
| 50FB15H                        | 15           | 3.320          | 3.006  | 1               | 1.20      | 5/8                         | 3/4 | 7/8 | 11/8 | 11/4 | 17/16 |
| 50FB16H                        | 16           | 3.520          | 3.204  | 1               | 1.45      | 5/8                         | 3/4 | 7/8 | 11/8 | 11/4 | 17/16 |
| 50FB17H                        | 17           | 3.720          | 3.401  | 1               | 1.60      | 5/8                         | 3/4 | 7/8 | 11/8 | 11/4 | 17/16 |
| 50FB18H                        | 18           | 3.920          | 3.599  | 1               | 1.90      | 5/8                         | 3/4 | 7/8 | 11/8 | 11/4 | 17/16 |
| 50FB19H                        | 19           | 4.120          | 3.797  | 1               | 2.00      | 5/8                         | 3/4 | 7/8 | 11/8 | 11/4 | 17/16 |
| 50FB20H                        | 20           | 4.320          | 3.995  | 1               | 2.10      |                             | 3/4 | 7/8 | 11/8 | 11/4 | 17/16 |
| 50FB21H                        | 21           | 4.520          | 4.194  | 1               | 2.25      |                             | 3/4 | 7/8 | 11/8 | 11/4 | 17/16 |
| 50FB22H                        | 22           | 4.720          | 4.392  | 1               | 2.40      |                             | 3/4 | 7/8 | 11/8 | 11/4 | 17/16 |
| 50FB23H                        | 23           | 4.920          | 4.590  | 1               | 2.50      |                             | 3/4 | 7/8 | 11/8 | 11/4 | 17/16 |
| 50FB24H                        | 24           | 5.120          | 4.788  | 11/4            | 3.00      |                             | 3/4 | 7/8 | 11/8 | 11/4 | 17/16 |
| 50FB25H                        | 25           | 5.320          | 4.986  | 11/4            | 3.10      |                             | 3/4 | 7/8 | 11/8 | 11/4 | 17/16 |
| 50FB26H                        | 26           | 5.520          | 5.185  | 11/4            | 3.30      |                             | 3/4 | 7/8 | 11/8 | 11/4 | 17/16 |
| 50FB27H                        | 27           | 5.720          | 5.384  | 11/4            | 3.46      |                             | 3/4 | 7/8 | 11/8 | 11/4 | 17/16 |
| 50FB28H                        | 28           | 5.920          | 5.582  | 11/4            | 3.60      |                             | 3/4 | 7/8 | 11/8 | 11/4 | 17/16 |
| 50FB29H                        | 29           | 6.120          | 5.781  | 11/4            | 3.78      |                             | 3/4 | 7/8 | 11/8 | 11/4 | 17/16 |
| 50FB30H                        | 30           | 6.320          | 5.979  | 11/4            | 3.90      |                             | 3/4 | 7/8 | 11/8 | 11/4 | 17/16 |
| 50FB32H                        | 32           | 6.720          | 6.376  | 11/4            | 4.7       |                             | 3/4 | 7/8 | 11/8 | 11/4 | 17/16 |
| 50FB35H                        | 35           | 7.320          | 6.972  | 11/4            | 5.30      |                             | 3/4 | 7/8 | 11/8 | 11/4 | 17/16 |
| 50FB36                         | 36           | 7.520          | 7.171  | 11/4            | 5.50      |                             | 3/4 | 7/8 | 11/8 | 11/4 | 17/16 |
| 50FB40                         | 40           | 8.320          | 7.966  | 11/4            | 6.20      |                             |     | 7/8 | 11/8 | 11/4 | 17/16 |
| 50FB42                         | 42           | 8.720          | 8.363  | 11/4            | 6.68      |                             |     | 7/8 | 11/8 | 11/4 | 17/16 |
| 50FB45                         | 45           | 9.310          | 8.960  | 11/4            | 8.00      |                             |     | 7/8 | 11/8 | 11/4 | 17/16 |
| 50FB48                         | 48           | 9.910          | 9.556  | 11/4            | 9.03      |                             |     |     | 11/8 | 11/4 | 17/16 |
| 50FB50                         | 50           | 10.310         | 9.954  | 11/4            | 9.63      |                             |     |     | 11/8 | 11/4 | 17/16 |
| 50FB54                         | 54           | 11.110         | 10.749 | 11/4            | 10.75     |                             |     |     | 11/8 | 11/4 | 17/16 |
| 50FB60                         | 60           | 11.900         | 11.942 | 13/4            | 13.50     |                             |     |     | 11/8 | 11/4 | 17/16 |
| 50FB72                         | 72           | 12.300         | 14.329 | 13/4            | 19.13     |                             |     |     | 11/8 | 11/4 | 17/16 |



(H) = With hardened teeth.

\*Has recessed groove in hub for chain clearance. Maximum bores shown will accommodate standard keyway and setscrew over keyseat. Slightly larger bores are possible with no keyway, shallow keyway or setscrew at an angle to keyway.



(H) = With hardened teeth.

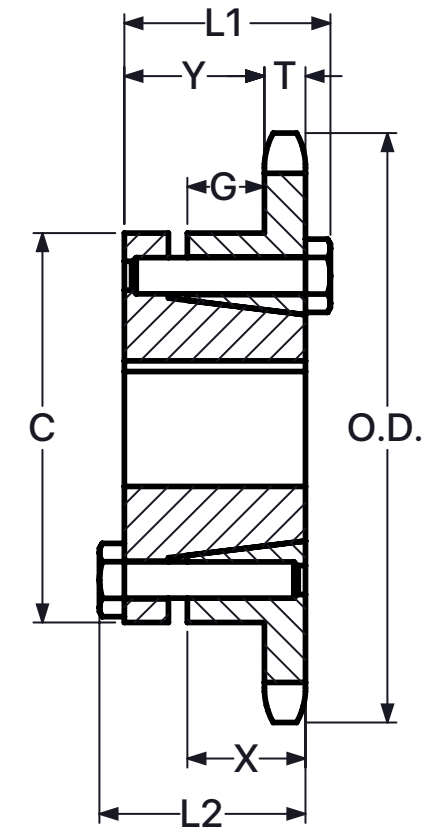
\*Keyway is on center line of tooth.

# SPROCKETS

SPROCKET #50 – 5/8" PITCH | NOMINAL = 0.343"

| SINGLE – TYPE QD |              |                |        |         |                   |                 |        |         |         |        |        |              |
|------------------|--------------|----------------|--------|---------|-------------------|-----------------|--------|---------|---------|--------|--------|--------------|
| Part no.         | No. of teeth | Diameters (in) |        | Bushing | Bore (in)<br>Max. | Dimensions (in) |        |         |         |        |        | Weight<br>lb |
|                  |              | Outside        | Pitch  |         |                   | L1              | L2     | C       | Y       | G      | X      |              |
| 50JA12H          | 12           | 2.710          | 2.415  | JA      | 1 1/4             | 1 1/8           | 1 1/8  | 2 1/16  | 2 1/32  | 9/32   | 5/8    | 0.34         |
| 50JA13H          | 13           | 2.910          | 2.612  | JA      |                   |                 |        |         |         |        |        | 0.40         |
| 50JA14H          | 14           | 3.110          | 2.809  | JA      |                   |                 |        |         |         |        |        | 0.52         |
| 50JA15H          | 15           | 3.320          | 3.006  | JA      |                   |                 |        |         |         |        |        | 0.60         |
| 50JA16H          | 16           | 3.520          | 3.204  | JA      |                   |                 |        |         |         |        |        | 0.68         |
| 50SH17H          | 17           | 3.720          | 3.401  | SH      | 1 5/8             | 1 7/16          | 1 7/16 | 2 11/16 | 2 9/32  | 1 5/32 | 1 3/16 | 0.84         |
| 50SH18H          | 18           | 3.920          | 3.599  | SH      |                   |                 |        |         |         |        |        | 1.04         |
| 50SH19H          | 19           | 4.120          | 3.797  | SH      |                   |                 |        |         |         |        |        | 1.24         |
| 50SDS20H         | 20           | 4.320          | 3.995  | SDS     |                   |                 |        |         |         |        |        | 1.20         |
| 50SDS21H         | 21           | 4.520          | 4.194  | SDS     |                   |                 |        |         |         |        |        | 1.32         |
| 50SDS22H         | 22           | 4.720          | 4.392  | SDS     | 1.42              |                 |        |         |         |        |        |              |
| 50SDS23H         | 23           | 4.920          | 4.590  | SDS     | 1.58              |                 |        |         |         |        |        |              |
| 50SDS24H         | 24           | 5.120          | 4.788  | SDS     | 1.70              |                 |        |         |         |        |        |              |
| 50SDS25H         | 25           | 5.320          | 4.987  | SDS     | 1.86              |                 |        |         |         |        |        |              |
| 50SDS26H         | 26           | 5.520          | 5.185  | SDS     | 2.00              |                 |        |         |         |        |        |              |
| 50SDS27H         | 27           | 5.720          | 5.384  | SDS     | 2.12              |                 |        |         |         |        |        |              |
| 50SDS28H         | 28           | 5.920          | 5.582  | SDS     | 2                 | 1 1/2           | 1 1/2  | 3 3/16  | 3 1/32  | 1 3/32 | 3/4    | 2.32         |
| 50SDS30H         | 30           | 6.320          | 5.979  | SDS     |                   |                 |        |         |         |        |        | 2.64         |
| 50SDS32H         | 32           | 6.720          | 6.372  | SDS     |                   |                 |        |         |         |        |        | 2.98         |
| 50SDS35H         | 35           | 7.320          | 6.972  | SDS     |                   |                 |        |         |         |        |        | 3.62         |
| 50SDS36          | 36           | 7.520          | 7.171  | SDS     |                   |                 |        |         |         |        |        | 3.64         |
| 50SDS40          | 40           | 8.320          | 7.966  | SDS     | 4.74              |                 |        |         |         |        |        |              |
| 50SDS42          | 42           | 8.720          | 8.363  | SDS     | 5.40              |                 |        |         |         |        |        |              |
| 50SDS45          | 45           | 9.310          | 8.960  | SDS     | 5.90              |                 |        |         |         |        |        |              |
| 50SDS48          | 48           | 9.910          | 9.556  | SDS     | 6.66              |                 |        |         |         |        |        |              |
| 50SK54           | 54           | 11.110         | 10.749 | SK      | 2 5/8             | 2 1/8           | 2 1/8  | 3 7/8   | 1 17/32 | 2 9/32 | 1 1/4  | 9.68         |
| 50SK60           | 60           | 12.300         | 11.942 | SK      |                   |                 |        |         |         |        |        | 11.88        |
| 50SK70           | 70           | 14.290         | 13.931 | SK      |                   |                 |        |         |         |        |        | 15.52        |
| 50SK72           | 72           | 14.690         | 14.329 | SK      | 16.44             |                 |        |         |         |        |        |              |
| 50SF80           | 80           | 16.280         | 15.920 | SF      | 2 15/16           | 2 1/4           | 2 1/4  | 4 5/8   | 1 21/32 | 2 9/32 | 1 1/4  | 19.90        |
| 50SF84           | 84           | 17.080         | 16.715 | SF      |                   |                 |        |         |         |        |        | 22.98        |
| 50SF96           | 96           | 19.470         | 19.102 | SF      |                   |                 |        |         |         |        |        | 29.88        |

(H) = With hardened teeth.



Type B "QD"



# SPROCKETS

SPROCKET #50 – 5/8" PITCH | NOMINAL = 0.343"

| SINGLE – SPLIT TAPER SPROCKET |              |                |       |           |
|-------------------------------|--------------|----------------|-------|-----------|
| Part no.                      | No. of teeth | Diameters (in) |       | Weight lb |
|                               |              | Outside        | Pitch |           |
| 50P15H                        | 15           | 3.320          | 3.006 | 1.10      |
| 50P16H                        | 16           | 3.520          | 3.204 | 1.30      |
| 50P17H                        | 17           | 3.720          | 3.401 | 1.40      |
| 50P18H                        | 18           | 3.920          | 3.599 | 1.60      |
| 50P19H                        | 19           | 4.120          | 3.797 | 1.80      |
| 50P20H                        | 20           | 4.320          | 3.995 | 2.00      |
| 50P21H                        | 21           | 4.520          | 4.194 | 2.10      |
| 50P22H                        | 22           | 4.720          | 4.392 | 2.30      |
| 50P23H                        | 23           | 4.920          | 4.590 | 2.40      |
| 50Q23H                        | 23           | 4.920          | 4.590 | 3.40      |
| 50P24H                        | 24           | 5.120          | 4.788 | 2.50      |
| 50Q24H                        | 24           | 5.120          | 4.788 | 3.40      |
| 50P25H                        | 25           | 5.320          | 4.987 | 2.60      |
| 50Q25H                        | 25           | 5.320          | 4.987 | 3.70      |
| 50P26H                        | 26           | 5.520          | 5.185 | 2.90      |
| 50Q26H                        | 26           | 5.520          | 5.185 | 3.80      |
| 50P27H                        | 27           | 5.720          | 5.384 | 3.00      |
| 50Q27H                        | 27           | 5.720          | 5.384 | 3.90      |
| 50P28H                        | 28           | 5.920          | 5.582 | 3.20      |
| 50Q28H                        | 28           | 5.920          | 5.582 | 4.00      |
| 50P29H                        | 29           | 6.120          | 5.781 | 3.30      |
| 50Q29H                        | 29           | 6.120          | 5.781 | 5.00      |
| 50P30H                        | 30           | 6.320          | 5.979 | 3.50      |
| 50Q30H                        | 30           | 6.320          | 5.979 | 5.60      |

(H) = With hardened teeth.

\*P or Q indicates P1 or Q1 bushings should be used.

P1 max. bore : 1 3/4" ; Q1 max. bore : 2 11/16"



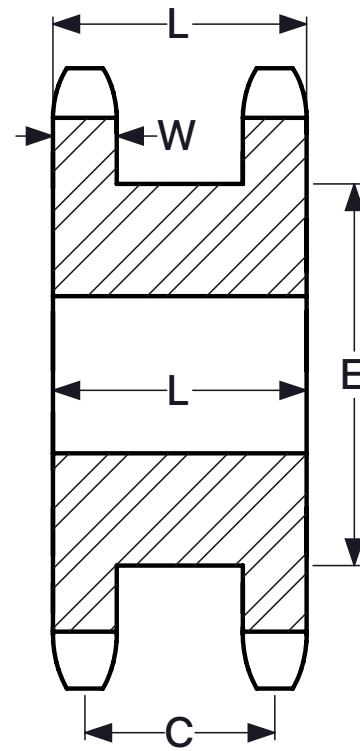
| SINGLE – SPLIT TAPER SPROCKET |              |                |        |           |
|-------------------------------|--------------|----------------|--------|-----------|
| Part no.                      | No. of teeth | Diameters (in) |        | Weight lb |
|                               |              | Outside        | Pitch  |           |
| 50P31H                        | 31           | 6.520          | 6.178  | 3.60      |
| 50Q31H                        | 31           | 6.520          | 6.178  | 5.85      |
| 50P32H                        | 32           | 6.720          | 6.372  | 3.90      |
| 50Q32H                        | 32           | 6.720          | 6.372  | 6.10      |
| 50P33H                        | 33           | 6.920          | 6.575  | 4.10      |
| 50Q33H                        | 33           | 6.920          | 6.575  | 6.25      |
| 50P34H                        | 34           | 7.120          | 6.774  | 4.30      |
| 50Q34H                        | 34           | 7.120          | 6.774  | 6.55      |
| 50P35H                        | 35           | 7.320          | 6.972  | 4.35      |
| 50Q35H                        | 35           | 7.320          | 6.972  | 6.80      |
| 50P36H                        | 36           | 7.520          | 7.171  | 4.80      |
| 50Q36H                        | 36           | 7.520          | 7.171  | 6.85      |
| 50Q37                         | 37           | 7.720          | 7.370  | 7.00      |
| 50Q42                         | 42           | 8.720          | 8.363  | 8.30      |
| 50Q44                         | 44           | 9.110          | 8.761  | 8.60      |
| 50Q45                         | 45           | 9.310          | 8.960  | 9.00      |
| 50Q47                         | 47           | 9.710          | 9.357  | 9.30      |
| 50Q48                         | 48           | 9.910          | 9.556  | 9.60      |
| 50Q50                         | 50           | 10.310         | 9.954  | 9.80      |
| 50Q56                         | 56           | 11.500         | 11.147 | 12.30     |
| 50Q60                         | 60           | 12.300         | 11.942 | 13.30     |
| 50Q 70                        | 70           | 14.290         | 13.931 | 16.90     |
| 50Q80                         | 80           | 16.280         | 15.920 | 21.10     |
| 50Q84                         | 84           | 17.800         | 16.715 | 24.30     |
| 50Q96                         | 96           | 19.470         | 19.102 | 29.80     |



# SPROCKETS

SPROCKETS #D50 & DS50 – 5/8" PITCH | NOMINAL = 0.332"

| DOUBLE – TYPE B – DIMENSION T FOR #D50 = 1.045 |              |                |        |           |         |          |        |           |
|--|--------------|----------------|--------|-----------|---------|----------|--------|-----------|
| Part no.                                       | No. of teeth | Diameters (in) |        | Bore (in) |         | Hub (in) |        | Weight lb |
|  |              | Outside        | Pitch  | Stock     | Max.    | Dia.     | L.T.B. |           |
| D50B11H  | 11           | 2.500          | 2.219  | 5/8       | 15/16   | 1 15/32  | 13/4   | 0.96      |
| D50B12H  | 12           | 2.710          | 2.415  | 5/8       | 11/8    | 1 11/16  | 13/4   | 1.25      |
| D50B13H  | 13           | 2.910          | 2.612  | 5/8       | 15/16   | 1 7/8    | 13/4   | 1.56      |
| D50B14H  | 14           | 3.110          | 2.809  | 5/8       | 13/8    | 2 1/16   | 13/4   | 1.86      |
| D50B15H  | 15           | 3.320          | 3.006  | 3/4       | 1 1/2   | 2 5/16   | 13/4   | 2.22      |
| D50B16H  | 16           | 3.520          | 3.204  | 3/4       | 1 3/4   | 2 1/2    | 13/4   | 2.62      |
| D50B17H  | 17           | 3.720          | 3.401  | 3/4       | 1 7/8   | 2 11/16  | 13/4   | 3.04      |
| D50B18H  | 18           | 3.920          | 3.599  | 3/4       | 1 15/16 | 2 15/16  | 13/4   | 3.58      |
| D50B19H  | 19           | 4.120          | 3.797  | 1         | 2 1/8   | 3 1/8    | 13/4   | 3.90      |
| D50B20H  | 20           | 4.320          | 3.995  | 1         | 2 1/4   | 3 1/4    | 13/4   | 4.26      |
| D50B21H  | 21           | 4.520          | 4.194  | 1         | 2 3/8   | 3 1/2    | 13/4   | 4.90      |
| D50B22H  | 22           | 4.720          | 4.392  | 1         | 2 3/8   | 3 9/16   | 17/8   | 5.58      |
| D50B23H  | 23           | 4.920          | 4.590  | 1         | 2 1/2   | 3 5/8    | 17/8   | 6.10      |
| D50B24H  | 24           | 5.120          | 4.788  | 1         | 2 1/2   | 3 5/8    | 17/8   | 6.50      |
| D50B25H  | 25           | 5.320          | 4.987  | 1         | 2 1/2   | 3 5/8    | 17/8   | 6.94      |
| D50B26H  | 26           | 5.520          | 5.185  | 1         | 2 1/2   | 3 3/4    | 17/8   | 7.54      |
| D50B30H  | 30           | 6.320          | 5.979  | 1         | 2 1/2   | 3 3/4    | 17/8   | 9.40      |
| D50B32H  | 32           | 6.720          | 6.376  | 1         | 2 1/2   | 3 3/4    | 17/8   | 10.46     |
| D50B35H  | 35           | 7.320          | 6.972  | 1         | 2 1/2   | 3 3/4    | 17/8   | 12.28     |
| D50B36   | 36           | 7.520          | 7.171  | 1 3/16    | 2 3/4   | 4        | 2 1/8  | 13.94     |
| D50B40   | 40           | 8.320          | 7.966  | 1 3/16    | 2 3/4   | 4        | 2 1/8  | 16.54     |
| D50B42   | 42           | 8.720          | 8.363  | 1 3/16    | 2 3/4   | 4        | 2 1/8  | 17.92     |
| D50B45   | 45           | 9.310          | 8.960  | 1 3/16    | 2 3/4   | 4        | 2 3/8  | 20.30     |
| D50B48   | 48           | 9.910          | 9.556  | 1 3/16    | 2 3/4   | 4 1/4    | 2 3/8  | 24.08     |
| D50B54   | 54           | 11.110         | 10.749 | 1 3/16    | 2 3/4   | 4 1/4    | 2 3/8  | 29.16     |
| D50B60   | 60           | 12.300         | 11.942 | 1 3/16    | 3       | 4 1/2    | 2 3/8  | 35.88     |
| D50B72   | 72           | 14.690         | 14.329 | 1 5/16    | 3       | 4 1/2    | 2 3/8  | 50.22     |
| D50B84   | 84           | 17.080         | 16.715 | 1 5/16    | 3       | 4 1/2    | 2 3/8  | 51.64     |
| D50B96   | 96           | 19.470         | 19.102 | 1 5/16    | 3       | 4 1/2    | 2 3/8  | 67.42     |



A- Type

(H) = With hardened teeth.

Maximum bores shown will accommodate standard keyseat and setscrew over keyseat. Slightly larger bores are possible with no keyseat, shallow keyseat or setscrew at an angle to keyseat.

# SPROCKETS

SPROCKET #60 – 3/4" PITCH | NOMINAL = 0.459"

| SINGLE – TYPE B |              |                |        |           |        |          |        |           |
|-----------------|--------------|----------------|--------|-----------|--------|----------|--------|-----------|
| Part no.        | No. of teeth | Diameters (in) |        | Bore (in) |        | Hub (in) |        | Weight lb |
|                 |              | Outside        | Pitch  | Stock     | Max.   | Dia.     | L.T.B. |           |
| 60B8H           | 8            | 2.260          | 1.960  | 5/8       | 5/8    | 1 15/32* | 1 1/4  | 0.54      |
| 60B9H           | 9            | 2.510          | 2.193  | 3/4       | 7/8    | 1 9/16*  | 1 1/4  | 0.64      |
| 60B10H          | 10           | 2.760          | 2.427  | 3/4       | 1 1/8  | 1 15/16* | 1 1/4  | 0.99      |
| 60B11H          | 11           | 3.000          | 2.662  | 3/4       | 1 5/16 | 2 1/16*  | 1 1/4  | 1.16      |
| 60B12H          | 12           | 3.250          | 2.898  | 3/4       | 1 3/8  | 2 3/8*   | 1 1/4  | 1.47      |
| 60B13H          | 13           | 3.490          | 3.134  | 3/4       | 1 1/2  | 2 11/32  | 1 1/4  | 1.66      |
| 60B14H          | 14           | 3.740          | 3.371  | 3/4       | 1 3/4  | 2 9/16   | 1 1/4  | 2.00      |
| 60B15H          | 15           | 3.980          | 3.607  | 3/4       | 1 7/8  | 2 7/8    | 1 1/4  | 2.51      |
| 60B16H          | 16           | 4.220          | 3.844  | 3/4       | 2      | 3 1/16   | 1 1/4  | 2.81      |
| 60B17H          | 17           | 4.460          | 4.082  | 3/4       | 2 1/4  | 3 1/4    | 1 1/4  | 3.22      |
| 60B18H          | 18           | 4.700          | 4.319  | 3/4       | 2 3/8  | 3 1/2    | 1 1/4  | 3.72      |
| 60B19H          | 19           | 4.950          | 4.557  | 3/4       | 2 5/8  | 3 1/2    | 1 1/4  | 3.92      |
| 60B20H          | 20           | 5.190          | 4.794  | 3/4       | 2 3/4  | 3 7/8    | 1 1/4  | 4.63      |
| 60B21H          | 21           | 5.430          | 5.032  | 3/4       | 2 3/4  | 4        | 1 1/4  | 5.00      |
| 60B22H          | 22           | 5.670          | 5.270  | 3/4       | 2 3/4  | 4        | 1 1/4  | 5.25      |
| 60B23H          | 23           | 5.910          | 5.508  | 3/4       | 2 3/4  | 4        | 1 1/4  | 5.48      |
| 60B24H          | 24           | 6.150          | 5.746  | 3/4       | 2 3/4  | 4        | 1 1/4  | 5.78      |
| 60B25H          | 25           | 6.390          | 5.984  | 3/4       | 2 3/4  | 4        | 1 1/4  | 6.13      |
| 60B26H          | 26           | 6.630          | 6.222  | 3/4       | 2 3/4  | 4        | 1 1/4  | 6.38      |
| 60B27H          | 27           | 6.870          | 6.460  | 3/4       | 2 3/4  | 4        | 1 1/4  | 6.72      |
| 60B28H          | 28           | 7.110          | 6.699  | 3/4       | 2 3/4  | 4        | 1 1/4  | 6.88      |
| 60B29H          | 29           | 7.350          | 6.937  | 3/4       | 2 3/4  | 4        | 1 1/4  | 7.28      |
| 60B30H          | 30           | 7.590          | 7.175  | 3/4       | 2 3/4  | 4        | 1 1/4  | 7.58      |
| 60B31           | 31           | 7.830          | 7.413  | 3/4       | 2 3/4  | 4        | 1 1/4  | 7.72      |
| 60B32           | 32           | 8.070          | 7.652  | 3/4       | 2 3/4  | 4        | 1 1/4  | 8.26      |
| 60B33           | 33           | 8.300          | 7.890  | 1         | 2 3/4  | 4        | 1 1/4  | 8.42      |
| 60B34           | 34           | 8.540          | 8.129  | 1         | 2 3/4  | 4        | 1 1/4  | 8.80      |
| 60B35           | 35           | 8.780          | 8.367  | 1         | 2 3/4  | 4        | 1 1/4  | 9.04      |
| 60B36           | 36           | 9.020          | 8.605  | 1         | 2 3/4  | 4        | 1 1/4  | 9.60      |
| 60B37           | 37           | 9.260          | 8.844  | 1         | 2 3/4  | 4        | 1 1/4  | 10.24     |
| 60B38           | 38           | 9.500          | 9.082  | 1         | 2 3/4  | 4 1/4    | 1 1/4  | 10.84     |
| 60B39           | 39           | 9.740          | 9.321  | 1         | 2 3/4  | 4 1/4    | 1 1/4  | 11.36     |
| 60B40           | 40           | 9.980          | 9.559  | 1         | 2 3/4  | 4 1/4    | 1 1/4  | 11.50     |
| 60B41           | 41           | 10.220         | 9.798  | 1         | 2 3/4  | 4 1/4    | 1 1/4  | 12.14     |
| 60B42           | 42           | 10.420         | 10.036 | 1         | 2 3/4  | 4 1/4    | 1 1/4  | 12.74     |
| 60B44           | 44           | 10.940         | 10.513 | 1 5/16    | 2 3/4  | 4 1/4    | 1 1/4  | 13.88     |
| 60B45           | 45           | 11.180         | 10.752 | 1 5/16    | 2 3/4  | 4 1/4    | 1 1/4  | 13.98     |
| 60B48           | 48           | 11.890         | 11.467 | 1 5/16    | 2 3/4  | 4 1/4    | 1 1/4  | 15.82     |
| 60B50           | 50           | 12.370         | 11.945 | 1 5/16    | 2 3/4  | 4 1/4    | 1 1/4  | 17.66     |
| 60B54           | 54           | 13.330         | 12.899 | 1 5/16    | 2 3/4  | 4 1/4    | 1 3/4  | 21.60     |
| 60B60           | 60           | 14.760         | 14.331 | 1 1/4     | 2 3/4  | 4 1/4    | 1 3/4  | 25.20     |
| 60B70           | 70           | 17.150         | 16.717 | 1 1/4     | 2 3/4  | 4 1/4    | 1 3/4  | 31.98     |
| 60B72           | 72           | 17.630         | 17.194 | 1 1/4     | 2 3/4  | 4 1/4    | 2      | 34.18     |
| 60B76           | 76           | 18.580         | 18.149 | 1 1/4     | 2 3/4  | 4 1/4    | 2      | 38.06     |
| 60B80           | 80           | 19.540         | 19.103 | 1 1/4     | 2 3/4  | 4 1/4    | 2      | 41.88     |
| 60B84           | 84           | 20.490         | 20.058 | 1 1/4     | 3 1/4  | 4 3/4    | 2      | 46.46     |
| 60B96           | 96           | 23.360         | 22.922 | 1 1/4     | 3 3/4  | 5 1/2    | 2 1/4  | 63.08     |
| 60B112          | 112          | 27.180         | 26.742 | 1 1/4     | 3 3/4  | 5 1/2    | 2 1/4  | 81.78     |

# SPROCKETS

SPROCKET #60 – 3/4" PITCH | NOMINAL = 0.459"

| SINGLE – TYPE A |           |           |
|-----------------|-----------|-----------|
| Part no.        | Bore (in) | Weight lb |
|                 | Stock     |           |
| 60A10           | 3/4       | 0.44      |
| 60A11           | 3/4       | 0.54      |
| 60A12           | 3/4       | 0.68      |
| 60A13           | 3/4       | 0.80      |
| 60A14           | 3/4       | 0.94      |
| 60A15           | 3/4       | 1.08      |
| 60A16           | 3/4       | 1.24      |
| 60A17           | 3/4       | 1.44      |
| 60A18           | 3/4       | 1.62      |
| 60A19           | 3/4       | 1.84      |
| 60A20           | 3/4       | 2.12      |
| 60A21           | 3/4       | 2.28      |
| 60A22           | 3/4       | 2.48      |
| 60A23           | 3/4       | 2.68      |
| 60A24           | 23/32     | 3.00      |
| 60A25           | 23/32     | 3.34      |
| 60A26           | 23/32     | 3.54      |
| 60A27           | 23/32     | 3.96      |
| 60A28           | 23/32     | 4.14      |
| 60A29           | 23/32     | 4.40      |
| 60A30           | 23/32     | 4.78      |
| 60A31           | 23/32     | 5.24      |
| 60A32           | 23/32     | 5.52      |
| 60A33           | 15/16     | 5.86      |
| 60A34           | 15/16     | 6.16      |
| 60A35           | 15/16     | 6.78      |
| 60A36           | 15/16     | 6.82      |
| 60A37           | 15/16     | 7.52      |
| 60A38           | 15/16     | 7.84      |
| 60A39           | 15/16     | 8.28      |
| 60A40           | 15/16     | 8.56      |
| 60A41           | 15/16     | 9.10      |
| 60A42           | 15/16     | 9.84      |
| 60A44           | 15/16     | 10.76     |
| 60A45           | 15/16     | 11.08     |
| 60A48           | 15/16     | 12.42     |
| 60A50           | 15/16     | 13.98     |
| 60A54           | 15/16     | 15.92     |
| 60A60           | 11/4      | 20.02     |
| 60A70           | 11/4      | 27.20     |
| 60A72           | 11/4      | 28.90     |
| 60A76           | 11/4      | 32.34     |
| 60A80           | 11/4      | 45.50     |
| 60A84           | 11/4      | 40.18     |
| 60A96           | 11/4      | 52.02     |
| 60A112          | 11/4      | 70.80     |



(H) = With hardened teeth.

\*Has recessed groove in hub for chain clearance. Maximum bores shown will accommodate standard keyway and setscrew over keyseat. Slightly larger bores are possible with no keyway, shallow keyway or setscrew at an angle to keyway.

# SPROCKETS

SPROCKET #60 – 3/4" PITCH | NOMINAL = 0.459"

| SINGLE – TYPE FB – FINISH BORE |              |                |        |                 |           |  |     |   |       |       |        |       |
|--------------------------------|--------------|----------------|--------|-----------------|-----------|--|-----|---|-------|-------|--------|-------|
| Part no.                       | No. of teeth | Diameters (in) |        | Hub (in) L.T.B. | Weight lb | Stock finish bore (in) Includes keyway & setscrews |     |   |       |       |        |       |
|                                |              | Outside        | Pitch  |                 |           | 3/4  | 7/8 | 1 | 1 1/8 | 1 1/4 | 1 7/16 | 1 1/2 |
| 60FB10H                        | 10           | 2.760          | 2.427  | 1               | 0.70      | 3/4  | 7/8 | 1 | 1 1/8 | 1 1/4 |        |       |
| 60FB11H                        | 11           | 3.000          | 2.662  | 1               | 0.90      | 3/4  | 7/8 | 1 | 1 1/8 | 1 1/4 |        |       |
| 60FB12H                        | 12           | 3.250          | 2.898  | 1               | 1.30      | 3/4  | 7/8 | 1 | 1 1/8 | 1 1/4 |        |       |
| 60FB13H                        | 13           | 3.490          | 3.134  | 1               | 1.30      | 3/4  | 7/8 | 1 | 1 1/8 | 1 1/4 | 1 7/16 |       |
| 60FB14H                        | 14           | 3.740          | 3.371  | 1               | 1.60      | 3/4  | 7/8 | 1 | 1 1/8 | 1 1/4 | 1 7/16 |       |
| 60FB15H                        | 15           | 3.980          | 3.607  | 1               | 1.70      | 3/4  | 7/8 | 1 | 1 1/8 | 1 1/4 | 1 7/16 | 1 1/2 |
| 60FB16H                        | 16           | 4.220          | 3.844  | 1               | 2.10      | 3/4  | 7/8 | 1 | 1 1/8 | 1 1/4 | 1 7/16 | 1 1/2 |
| 60FB17H                        | 17           | 4.460          | 4.082  | 1               | 2.40      |  |     | 1 | 1 1/8 | 1 1/4 | 1 7/16 | 1 1/2 |
| 60FB18H                        | 18           | 4.700          | 4.319  | 1               | 2.60      |  |     | 1 | 1 1/8 | 1 1/4 | 1 7/16 | 1 1/2 |
| 60FB19H                        | 19           | 4.950          | 4.557  | 1               | 3.40      |  |     | 1 | 1 1/8 | 1 1/4 | 1 7/16 | 1 1/2 |
| 60FB20H                        | 20           | 5.190          | 4.794  | 1               | 3.90      |  |     | 1 | 1 1/8 | 1 1/4 | 1 7/16 | 1 1/2 |
| 60FB21H                        | 21           | 5.430          | 5.032  | 1               | 4.40      |  |     | 1 | 1 1/8 | 1 1/4 | 1 7/16 | 1 1/2 |
| 60FB22H                        | 22           | 5.670          | 5.270  | 1               | 4.70      |  |     | 1 | 1 1/8 | 1 1/4 | 1 7/16 | 1 1/2 |
| 60FB23H                        | 23           | 5.910          | 5.508  | 1               | 5.00      |  |     | 1 | 1 1/8 | 1 1/4 | 1 7/16 | 1 1/2 |
| 60FB24H                        | 24           | 6.150          | 5.746  | 1 1/4           | 5.30      |  |     | 1 | 1 1/8 | 1 1/4 | 1 7/16 | 1 1/2 |
| 60FB25H                        | 25           | 6.390          | 5.984  | 1 1/4           | 5.40      |  |     | 1 | 1 1/8 | 1 1/4 | 1 7/16 | 1 1/2 |
| 60FB26H                        | 26           | 6.630          | 6.222  | 1 1/4           | 5.80      |  |     | 1 | 1 1/8 | 1 1/4 | 1 7/16 | 1 1/2 |
| 60FB27H                        | 27           | 6.870          | 6.460  | 1 1/4           | 6.30      |  |     | 1 | 1 1/8 | 1 1/4 | 1 7/16 | 1 1/2 |
| 60FB28H                        | 28           | 7.110          | 6.699  | 1 1/4           | 6.40      |  |     | 1 | 1 1/8 | 1 1/4 | 1 7/16 | 1 1/2 |
| 60FB29H                        | 29           | 7.350          | 6.937  | 1 1/4           | 6.90      |  |     | 1 | 1 1/8 | 1 1/4 | 1 7/16 | 1 1/2 |
| 60FB30H                        | 30           | 7.590          | 7.175  | 1 1/4           | 7.10      |  |     | 1 | 1 1/8 | 1 1/4 | 1 7/16 | 1 1/2 |
| 60FB32                         | 32           | 8.070          | 7.652  | 1 1/4           | 7.8       |  |     | 1 | 1 1/8 | 1 1/4 | 1 7/16 | 1 1/2 |
| 60FB35                         | 35           | 8.780          | 8.367  | 1 1/4           | 8.80      |  |     | 1 | 1 1/8 | 1 1/4 | 1 7/16 | 1 1/2 |
| 60FB40                         | 40           | 9.980          | 9.559  | 1 1/4           | 11.20     |  |     | 1 | 1 1/8 | 1 1/4 | 1 7/16 | 1 1/2 |
| 60FB42                         | 42           | 10.460         | 10.036 | 1 1/4           | 12.40     |  |     | 1 | 1 1/8 | 1 1/4 | 1 7/16 | 1 1/2 |
| 60FB45                         | 45           | 11.180         | 10.752 | 1 1/4           | 13.80     |  |     | 1 | 1 1/8 | 1 1/4 | 1 7/16 | 1 1/2 |
| 60FB48                         | 48           | 11.890         | 11.467 | 1 1/4           | 15.40     |  |     | 1 | 1 1/8 | 1 1/4 | 1 7/16 | 1 1/2 |
| 60FB50                         | 50           | 12.370         | 11.945 | 1 1/4           | 17.30     |  |     | 1 | 1 1/8 | 1 1/4 | 1 7/16 | 1 1/2 |
| 60FB54                         | 54           | 13.330         | 12.899 | 1 3/4           | 21.00     |  |     | 1 | 1 1/8 | 1 1/4 | 1 7/16 | 1 1/2 |
| 60FB60                         | 60           | 14.760         | 14.330 | 1 3/4           | 24.00     |  |     |   |       |       |        | 1 1/2 |
| 60FB72                         | 72           | 17.630         | 17.194 | 2               | 32.00     |  |     |   |       |       |        | 1 1/2 |

(H) = With hardened teeth.

Keyway is on center line of tooth.

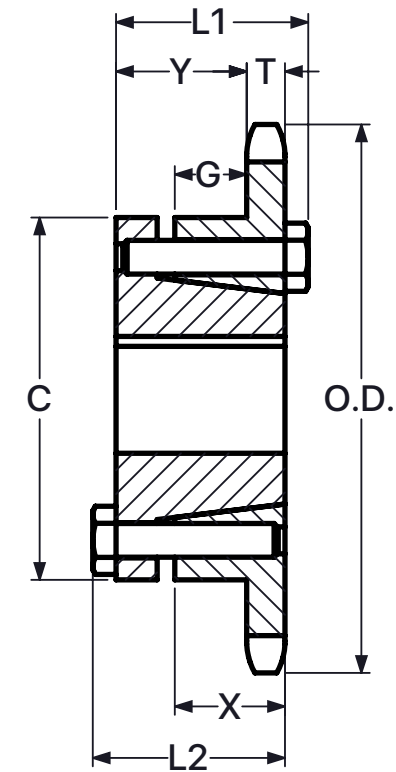


# SPROCKETS

SPROCKET #60 – 3/4" PITCH | NOMINAL = 0.459"

| SINGLE – TYPE QD |              |                |        |         |                   |                 |        |         |         |       |       |              |
|------------------|--------------|----------------|--------|---------|-------------------|-----------------|--------|---------|---------|-------|-------|--------------|
| Part no.         | No. of teeth | Diameters (in) |        | Bushing | Bore (in)<br>Max. | Dimensions (in) |        |         |         |       |       | Weight<br>lb |
|                  |              | Outside        | Pitch  |         |                   | L1              | L2     | C       | Y       | G     | X     |              |
| 60JA11H          | 11           | 3.000          | 2.662  | JA      |                   |                 |        |         |         |       |       | 0.46         |
| 60JA12H          | 12           | 3.250          | 2.898  | JA      | 1 1/4             | 1 1/8           | 1 1/8  | 2 1/16  | 35/64   | 11/64 | 5/8   | 0.60         |
| 60JA13H          | 13           | 3.490          | 3.134  | JA      |                   |                 |        |         |         |       |       | 0.76         |
| 60SH14H          | 14           | 3.740          | 3.371  | SH      |                   |                 |        |         |         |       |       | 0.88         |
| 60SH15H          | 15           | 3.980          | 3.607  | SH      | 1 5/8             | 1 7/16          | 1 7/16 | 2 11/16 | 51/64   | 23/64 | 13/16 | 1.08         |
| 60SH16H          | 16           | 4.220          | 3.844  | SH      |                   |                 |        |         |         |       |       | 1.26         |
| 60SDS17H         | 17           | 4.460          | 4.082  | SDS     |                   |                 |        |         |         |       |       | 1.38         |
| 60SDS18H         | 18           | 4.700          | 4.319  | SDS     |                   |                 |        |         |         |       |       | 1.56         |
| 60SDS19H         | 19           | 4.950          | 4.557  | SDS     |                   |                 |        |         |         |       |       | 1.76         |
| 60SDS20H         | 20           | 5.190          | 4.794  | SDS     |                   |                 |        |         |         |       |       | 2.00         |
| 60SDS21H         | 21           | 5.430          | 5.032  | SDS     | 2                 | 1 1/2           | 1 1/2  | 3 3/16  | 55/64   | 19/64 | 3/4   | 2.20         |
| 60SDS22H         | 22           | 5.670          | 5.270  | SDS     |                   |                 |        |         |         |       |       | 2.44         |
| 60SDS23H         | 23           | 5.910          | 5.508  | SDS     |                   |                 |        |         |         |       |       | 2.70         |
| 60SDS24H         | 24           | 6.150          | 5.746  | SDS     |                   |                 |        |         |         |       |       | 2.94         |
| 60SDS25H         | 25           | 6.390          | 5.984  | SDS     |                   |                 |        |         |         |       |       | 3.24         |
| 60SK26H          | 26           | 6.630          | 6.222  | SK      |                   |                 |        |         |         |       |       | 4.18         |
| 60SK27H          | 27           | 6.870          | 6.460  | SK      |                   |                 |        |         |         |       |       | 4.52         |
| 60SK28H          | 28           | 7.110          | 6.699  | SK      |                   |                 |        |         |         |       |       | 4.78         |
| 60SK30H          | 30           | 7.590          | 7.175  | SK      | 2 5/8             | 2 1/8           | 2 1/8  | 3 7/8   | 1 27/64 | 51/64 | 1 1/4 | 5.34         |
| 60SK32           | 32           | 8.070          | 7.625  | SK      |                   |                 |        |         |         |       |       | 6.10         |
| 60SK35           | 35           | 8.780          | 8.367  | SK      |                   |                 |        |         |         |       |       | 7.42         |
| 60SK36           | 36           | 9.020          | 8.605  | SK      |                   |                 |        |         |         |       |       | 7.70         |
| 60SK40           | 40           | 9.980          | 9.559  | SK      |                   |                 |        |         |         |       |       | 9.56         |
| 60SF42           | 42           | 10.460         | 10.036 | SF      |                   |                 |        |         |         |       |       | 10.78        |
| 60SF45           | 45           | 11.180         | 10.752 | SF      |                   |                 |        |         |         |       |       | 12.40        |
| 60SF48           | 48           | 11.890         | 11.467 | SF      |                   |                 |        |         |         |       |       | 14.26        |
| 60SF54           | 54           | 13.330         | 12.899 | SF      |                   |                 |        |         |         |       |       | 17.02        |
| 60SF60           | 60           | 14.760         | 14.331 | SF      | 2 15/16           | 2 1/4           | 2 1/4  | 4 5/8   | 1 35/64 | 51/64 | 1 1/4 | 20.76        |
| 60SF70           | 70           | 17.150         | 16.717 | SF      |                   |                 |        |         |         |       |       | 28.60        |
| 60SF72           | 72           | 17.630         | 17.194 | SF      |                   |                 |        |         |         |       |       | 29.58        |
| 60SF80           | 80           | 19.540         | 19.103 | SF      |                   |                 |        |         |         |       |       | 38.24        |
| 60SF84           | 84           | 20.490         | 20.058 | SF      |                   |                 |        |         |         |       |       | 40.94        |
| 60SF96           | 96           | 23.360         | 22.922 | SF      |                   |                 |        |         |         |       |       | 52.40        |

(H) = With hardened teeth.





# SPROCKETS

SPROCKET #60 – 3/4" PITCH | NOMINAL = 0.459"

| SINGLE – SPLIT TAPER SPROCKETS |              |                |       |           |
|--------------------------------|--------------|----------------|-------|-----------|
| Part no.                       | No. of teeth | Diameters (in) |       | Weight lb |
|                                |              | Outside        | Pitch |           |
| 60P13H                         | 13           | 3.490          | 3.134 | 1.10      |
| 60P14H                         | 14           | 3.740          | 3.371 | 1.20      |
| 60P15H                         | 15           | 3.980          | 3.607 | 1.60      |
| 60P16H                         | 16           | 4.220          | 3.844 | 2.00      |
| 60P17H                         | 17           | 4.460          | 4.082 | 2.20      |
| 60P18H                         | 18           | 4.700          | 4.319 | 2.40      |
| 60P19H                         | 19           | 4.950          | 4.557 | 2.50      |
| 60P20H                         | 20           | 5.190          | 4.794 | 3.00      |
| 60Q20H                         | 20           | 5.190          | 4.794 | 3.50      |
| 60P21H                         | 21           | 5.430          | 5.032 | 3.00      |
| 60Q21H                         | 21           | 5.430          | 5.032 | 3.80      |
| 60P22H                         | 22           | 5.670          | 5.270 | 3.30      |
| 60Q22H                         | 22           | 5.670          | 5.270 | 4.10      |
| 60P23H                         | 23           | 5.910          | 5.508 | 3.50      |
| 60Q23H                         | 23           | 5.910          | 5.508 | 4.30      |
| 60P24H                         | 24           | 6.150          | 5.746 | 3.90      |
| 60Q24H                         | 24           | 6.150          | 5.746 | 4.50      |
| 60P25H                         | 25           | 6.390          | 5.984 | 4.30      |
| 60Q25H                         | 25           | 6.390          | 5.984 | 4.00      |
| 60P26H                         | 26           | 6.630          | 6.222 | 4.30      |
| 60Q26H                         | 26           | 6.630          | 6.222 | 6.40      |
| 60P27H                         | 27           | 6.870          | 6.460 | 4.60      |
| 60Q27H                         | 27           | 6.870          | 6.460 | 6.60      |
| 60P28H                         | 28           | 7.110          | 6.699 | 5.00      |
| 60Q28H                         | 28           | 7.110          | 6.699 | 6.90      |
| 60P29H                         | 29           | 7.350          | 6.937 | 5.30      |
| 60Q29H                         | 29           | 7.350          | 6.937 | 7.30      |

(H) = With hardened teeth.

\*P or Q indicates P1 or Q1 bushings should be used.

P1 max. bore : 1 3/4" ; Q1 max. bore : 2 11/16"



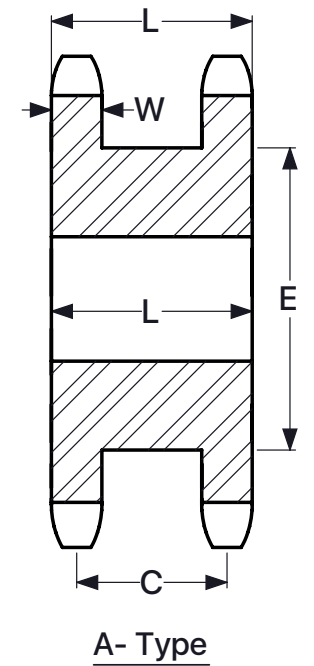
| SINGLE – SPLIT TAPER SPROCKETS |              |                |        |           |
|--------------------------------|--------------|----------------|--------|-----------|
| Part no.                       | No. of teeth | Diameters (in) |        | Weight lb |
|                                |              | Outside        | Pitch  |           |
| 60P30H                         | 30           | 7.590          | 7.175  | 5.60      |
| 60Q30H                         | 30           | 7.590          | 7.175  | 7.70      |
| 60Q 31H                        | 31           | 7.830          | 7.413  | 7.80      |
| 60Q 32H                        | 32           | 8.070          | 7.652  | 8.30      |
| 60Q33H                         | 33           | 8.300          | 7.891  | 8.70      |
| 60Q34H                         | 34           | 8.540          | 8.129  | 9.10      |
| 60Q35H                         | 35           | 8.780          | 8.367  | 9.30      |
| 60Q36H                         | 36           | 9.020          | 8.605  | 9.90      |
| 60Q37                          | 37           | 9.260          | 8.844  | 10.30     |
| 60Q38                          | 38           | 9.500          | 9.082  | 10.60     |
| 60Q39                          | 39           | 9.740          | 9.321  | 11.10     |
| 60Q40                          | 40           | 9.980          | 9.559  | 11.60     |
| 60Q41                          | 41           | 10.220         | 9.798  | 11.90     |
| 60Q42                          | 42           | 10.460         | 10.036 | 12.60     |
| 60Q43                          | 43           | 10.750         | 10.215 | 12.90     |
| 60Q44                          | 44           | 10.940         | 10.513 | 13.40     |
| 60Q45                          | 45           | 11.180         | 10.752 | 13.90     |
| 60Q47                          | 47           | 11.650         | 11.229 | 16.30     |
| 60Q48                          | 48           | 11.890         | 11.467 | 16.40     |
| 60Q50                          | 50           | 12.370         | 11.945 | 16.90     |
| 60Q54                          | 54           | 13.330         | 12.899 | 19.60     |
| 60Q60                          | 60           | 14.730         | 14.331 | 22.90     |
| 60Q70                          | 70           | 17.120         | 16.717 | 30.90     |
| 60Q72                          | 72           | 17.630         | 17.194 | 31.90     |
| 60Q80                          | 80           | 19.540         | 19.103 | 39.10     |



# SPROCKETS

SPROCKET #60 – 3/4" PITCH | NOMINAL = 0.459"

| DOUBLE – TYPE B – DIMENSION T FOR #D60 = 1.341" |              |                |        |           |        |          |        |           |
|---|--------------|----------------|--------|-----------|--------|----------|--------|-----------|
| Part no.  | No. of teeth | Diameters (in) |        | Bore (in) |        | Hub (in) |        | Weight lb |
|   |              | Outside        | Pitch  | Stock     | Max.   | Dia.     | L.T.B. |           |
| D60B11H   | 11           | 3.000          | 2.662  | 1         | 1 1/4  | 1 13/16  | 2 1/8  | 1.62      |
| D60B12H   | 12           | 3.250          | 2.898  | 1         | 1 7/16 | 2 1/8    | 2 1/8  | 2.20      |
| D60B13H   | 13           | 3.490          | 3.134  | 1         | 1 1/2  | 2 1/4    | 2 1/8  | 2.60      |
| D60B14H   | 14           | 3.740          | 3.371  | 1         | 1 3/4  | 2 1/2    | 2 1/8  | 3.24      |
| D60B15H   | 15           | 3.980          | 3.607  | 1         | 1 7/8  | 2 13/16  | 2 1/8  | 3.96      |
| D60B16H   | 16           | 4.220          | 3.844  | 1         | 2      | 3        | 2 1/8  | 4.62      |
| D60B17H   | 17           | 4.460          | 4.082  | 1         | 2 1/4  | 3 1/4    | 2 1/8  | 5.40      |
| D60B18H   | 18           | 4.700          | 4.319  | 1         | 2 3/8  | 3 1/2    | 2 1/8  | 6.24      |
| D60B19H   | 19           | 4.950          | 4.557  | 1         | 2 1/2  | 3 11/16  | 2 1/8  | 7.00      |
| D60B20H   | 20           | 5.190          | 4.794  | 1         | 2 1/2  | 3 3/4    | 2 1/8  | 7.72      |
| D60B21H   | 21           | 5.430          | 5.032  | 1         | 2 3/4  | 4 1/8    | 2 1/8  | 8.82      |
| D60B22H   | 22           | 5.670          | 5.270  | 1         | 2 3/4  | 4 1/4    | 2 1/8  | 9.68      |
| D60B23H   | 23           | 5.910          | 5.508  | 1         | 2 3/4  | 4 1/4    | 2 1/8  | 10.30     |
| D60B24H   | 24           | 6.150          | 5.746  | 1         | 2 3/4  | 4 1/4    | 2 1/8  | 11.14     |
| D60B25H   | 25           | 6.390          | 5.984  | 1         | 2 3/4  | 4 1/4    | 2 1/8  | 11.96     |
| D60B26H   | 26           | 6.630          | 6.222  | 1         | 2 3/4  | 4 1/4    | 2 1/8  | 12.70     |
| D60B30H   | 30           | 7.590          | 7.175  | 1         | 2 3/4  | 4 1/4    | 2 1/8  | 16.36     |
| D60B32  | 32           | 8.070          | 7.652  | 1 1/4     | 3      | 4 1/2    | 2 3/8  | 19.52     |
| D60B35  | 35           | 8.780          | 8.367  | 1 1/4     | 3      | 4 1/2    | 2 3/8  | 22.80     |
| D60B36  | 36           | 9.020          | 8.605  | 1 1/4     | 3      | 4 1/2    | 2 3/8  | 23.82     |
| D60B40  | 40           | 9.980          | 9.559  | 1 1/4     | 3 1/4  | 4 3/4    | 2 3/4  | 30.84     |
| D60B42  | 42           | 10.460         | 10.036 | 1 1/4     | 3 1/4  | 4 3/4    | 2 3/4  | 33.08     |
| D60B45  | 45           | 11.180         | 10.752 | 1 1/4     | 3 1/4  | 4 3/4    | 2 3/4  | 37.08     |
| D60B60  | 60           | 14.760         | 14.331 | 1 1/4     | 3 1/4  | 4 3/4    | 2 3/4  | 63.10     |



| DOUBLE SINGLE – TYPE A – NOMINAL = 0.459" |              |              |           |         |                 |         |         |           |
|---|--------------|--------------|-----------|---------|-----------------|---------|---------|-----------|
| Part no.                                  | No. of teeth | Outside dia. | Bore (in) |         | Dimensions (in) |         |         | Weight lb |
|   |              |              | Min.      | Max.    | L               | C       | E       |           |
| DS60A13H                                  | 13           | 3.490        | 0.750     | 1 1/4   | 1 15/16         | 1 31/64 | 2 11/32 | 2.60      |
| DS60A14H                                  | 14           | 3.740        | 0.750     | 1 5/16  | 1 15/16         | 1 31/64 | 2 9/16  | 3.20      |
| DS60A15H                                  | 15           | 3.980        | 0.750     | 1 1/2   | 1 15/16         | 1 31/64 | 2 7/8   | 3.80      |
| DS60A16H                                  | 16           | 4.220        | 0.750     | 1 11/16 | 1 15/16         | 1 31/64 | 3 3/64  | 4.50      |
| DS60A17H                                  | 17           | 4.460        | 0.750     | 1 3/4   | 1 15/16         | 1 31/64 | 3 1/4   | 5.30      |
| DS60A18H                                  | 18           | 4.700        | 0.750     | 1 7/8   | 1 15/16         | 1 31/64 | 3 1/2   | 6.50      |
| DS60A19H                                  | 19           | 4.950        | 0.750     | 2 1/16  | 1 15/16         | 1 31/64 | 3 45/64 | 6.80      |
| DS60A20H                                  | 20           | 5.190        | 0.750     | 2 1/4   | 1 15/16         | 1 31/64 | 3 61/64 | 7.00      |
| DS60A21H                                  | 21           | 5.430        | 0.750     | 2 3/4   | 1 15/16         | 1 31/64 | 4 3/16  | 7.50      |

(H) = With hardened teeth.

Maximum bores shown will accommodate standard keyway and setscrew over keyseat. Slightly larger bores are possible with no keyseat, shallow keyseat or setscrew at an angle to keyseat.

# SPROCKETS

SPROCKET #80 – 1" PITCH | NOMINAL = 0.575"

| SINGLE – TYPE B |              |                |        |           |        |          |        |           |
|-----------------|--------------|----------------|--------|-----------|--------|----------|--------|-----------|
| Part no.        | No. of teeth | Diameters (in) |        | Bore (in) |        | Hub (in) |        | Weight lb |
|                 |              | Outside        | Pitch  | Stock     | Max.   | Dia.     | L.T.B. |           |
| 80B8H           | 8            | 3.010          | 2.613  | 1         | 1      | 1 15/16* | 1 5/8  | 1.40      |
| 80B9H           | 9            | 3.350          | 2.924  | 1         | 1 5/16 | 2 1/4*   | 1 5/8  | 1.60      |
| 80B1H           | 10           | 3.680          | 3.236  | 1         | 1 1/2  | 2 9/16*  | 1 5/8  | 2.20      |
| 80B11H          | 11           | 4.010          | 3.550  | 1         | 1 5/8  | 2 13/16* | 1 5/8  | 3.20      |
| 80B12H          | 12           | 4.330          | 3.864  | 1         | 1 7/8  | 3 1/8*   | 1 5/8  | 3.40      |
| 80B13H          | 13           | 4.660          | 4.179  | 1         | 2      | 3        | 1 1/2  | 3.50      |
| 80B14H          | 14           | 4.980          | 4.494  | 1         | 2 1/4  | 3 1/4    | 1 1/2  | 4.10      |
| 80B15H          | 15           | 5.300          | 4.810  | 1         | 2 1/2  | 3 13/16  | 1 1/2  | 5.30      |
| 80B16H          | 16           | 5.630          | 5.126  | 1         | 2 3/4  | 4        | 1 1/2  | 5.90      |
| 80B17H          | 17           | 5.950          | 5.442  | 1         | 2 3/4  | 4        | 1 1/2  | 6.60      |
| 80B18H          | 18           | 6.270          | 5.759  | 1         | 2 3/4  | 4 1/4    | 1 1/2  | 7.30      |
| 80B19H          | 19           | 6.590          | 6.076  | 1         | 2 3/4  | 4 1/4    | 1 1/2  | 7.80      |
| 80B20H          | 20           | 6.910          | 6.392  | 1         | 2 3/4  | 4 1/4    | 1 1/2  | 8.40      |
| 80B21H          | 21           | 7.240          | 6.710  | 1         | 2 3/4  | 4 1/4    | 1 3/4  | 9.40      |
| 80B22           | 22           | 7.560          | 7.027  | 1         | 2 3/4  | 4 1/4    | 1 3/4  | 10.00     |
| 80B23           | 23           | 7.880          | 7.344  | 1         | 2 3/4  | 4 1/4    | 1 3/4  | 10.70     |
| 80B24           | 24           | 8.200          | 7.661  | 1         | 2 3/4  | 4 1/4    | 1 3/4  | 11.30     |
| 80B25           | 25           | 8.520          | 7.979  | 1         | 2 3/4  | 4 1/4    | 1 3/4  | 11.90     |
| 80B26           | 26           | 8.840          | 8.296  | 1 1/4     | 3 1/4  | 4 3/4    | 2      | 14.30     |
| 80B27           | 27           | 9.160          | 8.614  | 1 1/4     | 3 1/4  | 4 3/4    | 2      | 15.40     |
| 80B28           | 28           | 9.480          | 8.931  | 1 1/4     | 3 1/4  | 4 3/4    | 2      | 16.00     |
| 80B29           | 29           | 9.800          | 9.249  | 1 3/16    | 3 1/4  | 4 3/4    | 2      | 17.10     |
| 80B30           | 30           | 10.110         | 9.567  | 1 3/16    | 3 1/4  | 4 3/4    | 2      | 17.40     |
| 80B31           | 31           | 10.430         | 9.885  | 1 3/16    | 3 1/4  | 4 3/4    | 2      | 18.70     |
| 80B32           | 32           | 10.750         | 10.202 | 1 3/16    | 3 1/4  | 4 3/4    | 2      | 19.50     |
| 80B33           | 33           | 11.070         | 10.520 | 1 3/16    | 3 1/4  | 4 3/4    | 2      | 19.60     |
| 80B34           | 34           | 11.390         | 10.838 | 1 3/16    | 3 1/4  | 4 3/4    | 2      | 21.30     |
| 80B35           | 35           | 11.710         | 11.156 | 1 3/16    | 3 1/4  | 4 3/4    | 2      | 22.10     |
| 80B36           | 36           | 12.030         | 11.474 | 1 3/16    | 3 1/4  | 4 3/4    | 2      | 23.10     |
| 80B37           | 37           | 12.350         | 11.792 | 1 3/16    | 3 1/4  | 4 3/4    | 2      | 23.80     |
| 80B38           | 38           | 12.670         | 12.110 | 1 3/16    | 3 1/4  | 4 3/4    | 2      | 24.70     |
| 80B39           | 39           | 12.990         | 12.428 | 1 3/16    | 3 1/4  | 4 3/4    | 2      | 25.60     |
| 80B40           | 40           | 13.310         | 12.746 | 1 3/16    | 3 1/4  | 4 3/4    | 2      | 26.70     |
| 80B42           | 42           | 13.940         | 13.382 | 1 1/4     | 3 1/4  | 4 3/4    | 2      | 28.70     |
| 80B45           | 45           | 14.900         | 14.336 | 1 1/4     | 3 1/4  | 4 3/4    | 2      | 31.40     |
| 80B48           | 48           | 15.860         | 15.290 | 1 1/4     | 3 1/4  | 4 3/4    | 2      | 35.50     |
| 80B50           | 50           | 16.500         | 15.926 | 1 1/4     | 3 1/4  | 4 3/4    | 2      | 37.30     |
| 80B54           | 54           | 17.770         | 17.198 | 1 1/4     | 3 1/2  | 5 1/4    | 2      | 44.70     |
| 80B56           | 56           | 18.410         | 17.835 | 1 1/4     | 3 1/2  | 5 1/4    | 2      | 47.50     |
| 80B60           | 60           | 19.680         | 19.107 | 1 1/4     | 3 1/2  | 5 1/4    | 2      | 54.50     |
| 80C70           | 70           | 22.870         | 22.289 | 1 1/2     | 4 1/4  | 6 1/4    | 3 1/2  | 75.70     |
| 80C72           | 72           | 23.500         | 22.926 | 1 1/2     | 4 1/4  | 6 1/4    | 3 1/2  | 81.40     |
| 80C80           | 80           | 26.050         | 25.471 | 1 1/2     | 4 1/4  | 6 1/4    | 3 1/2  | 89.90     |

(H) = With hardened teeth.

\*Has recessed groove in hub for chain clearance. Maximum bores shown will accommodate standard keyway and setscrew over keyseat. Slightly larger bores are possible with no keyway, shallow keyway or setscrew at an angle to keyway.



# SPROCKETS

SPROCKET #80 – 1" PITCH | NOMINAL = 0.575"

| SINGLE – TYPE FB – FINISH BORE |              |                |        |          |       |           |   |       |        |       |       |         |   |  |  |       |
|--------------------------------|--------------|----------------|--------|----------|-------|-----------|---|-------|--------|-------|-------|---------|---|--|--|-------|
| Part no.                       | No. of teeth | Diameters (in) |        | Hub (in) |       | Weight lb | Stock finish bore (in)<br>Includes keyway & setscrews |       |        |       |       |         |   |  |  |       |
|                                |              | Outside        | Pitch  | L.T.B.   |       |           |   |       |        |       |       |         |   |  |  |       |
| 80FB9H                         | 9            | 3.350          | 2.924  | 1 5/8    | 1.60  | 1         | 1 1/8   | 1 1/4 |        |       |       |         |   |  |  |       |
| 80FB10H                        | 10           | 3.680          | 3.236  | 1 5/8    | 1.70  | 1         | 1 1/8   | 1 1/4 |        |       |       |         |   |  |  |       |
| 80FB11H                        | 11           | 4.010          | 3.550  | 1 5/8    | 1.80  | 1         | 1 1/8   | 1 1/4 |        |       |       |         |   |  |  |       |
| 80FB12H                        | 12           | 4.330          | 3.864  | 1 5/8    | 3.00  | 1         | 1 1/8   | 1 1/4 |        |       |       |         |   |  |  |       |
| 80FB13H                        | 13           | 4.660          | 4.179  | 1 1/2    | 3.50  | 1         | 1 1/8   | 1 1/4 | 1 7/16 | 1 1/2 | 1 3/4 |         |   |  |  |       |
| 80FB14H                        | 14           | 4.980          | 4.494  | 1 1/2    | 4.10  | 1         | 1 1/8   | 1 1/4 | 1 7/16 | 1 1/2 | 1 3/4 |         |   |  |  |       |
| 80FB15H                        | 15           | 5.300          | 4.810  | 1 1/2    | 5.20  | 1         | 1 1/8   | 1 1/4 | 1 7/16 | 1 1/2 | 1 3/4 | 1 15/16 | 2 |  |  |       |
| 80FB16H                        | 16           | 5.630          | 5.126  | 1 1/2    | 5.50  | 1         |   | 1 1/4 | 1 7/16 | 1 1/2 | 1 3/4 | 1 15/16 | 2 |  |  |       |
| 80FB17H                        | 17           | 5.950          | 5.442  | 1 1/2    | 6.00  | 1         |   | 1 1/4 | 1 7/16 | 1 1/2 | 1 3/4 | 1 15/16 | 2 |  |  |       |
| 80FB18H                        | 18           | 6.270          | 5.759  | 1 1/2    | 6.50  | 1         |   | 1 1/4 | 1 7/16 | 1 1/2 | 1 3/4 | 1 15/16 | 2 |  |  |       |
| 80FB19H                        | 19           | 6.590          | 6.076  | 1 1/2    | 7.00  | 1         |   | 1 1/4 | 1 7/16 | 1 1/2 | 1 3/4 | 1 15/16 | 2 |  |  |       |
| 80FB20H                        | 20           | 6.910          | 6.392  | 1 1/2    | 8.00  | 1         |   | 1 1/4 | 1 7/16 | 1 1/2 | 1 3/4 | 1 15/16 | 2 |  |  |       |
| 80FB21H                        | 21           | 7.240          | 6.710  | 1 3/4    | 8.90  | 1         |   | 1 1/4 | 1 7/16 | 1 1/2 | 1 3/4 | 1 15/16 | 2 |  |  |       |
| 80FB22                         | 22           | 7.560          | 7.027  | 1 3/4    | 9.50  | 1         |   | 1 1/4 | 1 7/16 | 1 1/2 | 1 3/4 | 1 15/16 | 2 |  |  |       |
| 80FB23                         | 23           | 7.880          | 7.344  | 1 3/4    | 10.20 | 1         |   | 1 1/4 | 1 7/16 | 1 1/2 | 1 3/4 | 1 15/16 | 2 |  |  |       |
| 80FB24                         | 24           | 8.200          | 7.661  | 1 3/4    | 10.80 | 1         |   | 1 1/4 | 1 7/16 | 1 1/2 | 1 3/4 | 1 15/16 | 2 |  |  |       |
| 80FB25                         | 25           | 8.520          | 7.979  | 1 3/4    | 11.40 | 1         |   | 1 1/4 | 1 7/16 | 1 1/2 | 1 3/4 | 1 15/16 | 2 |  |  |       |
| 80FB26                         | 26           | 8.840          | 8.296  | 2        | 14.00 |           |   | 1 1/4 | 1 7/16 | 1 1/2 | 1 3/4 | 1 15/16 | 2 |  |  |       |
| 80FB27                         | 27           | 9.160          | 8.614  | 2        | 14.70 |           |   | 1 1/4 | 1 7/16 | 1 1/2 | 1 3/4 | 1 15/16 | 2 |  |  |       |
| 80FB28                         | 28           | 9.480          | 8.931  | 2        | 15.30 |           |   | 1 1/4 | 1 7/16 | 1 1/2 | 1 3/4 | 1 15/16 | 2 |  |  |       |
| 80FB29                         | 29           | 9.800          | 9.249  | 2        | 16.40 |           |   | 1 1/4 | 1 7/16 | 1 1/2 | 1 3/4 | 1 15/16 | 2 |  |  |       |
| 80FB30                         | 30           | 10.110         | 9.567  | 2        | 16.7  |           |   | 1 1/4 | 1 7/16 | 1 1/2 | 1 3/4 | 1 15/16 | 2 |  |  |       |
| 80FB32                         | 32           | 10.750         | 10.202 | 2        | 18.80 |           |   | 1 1/4 | 1 7/16 | 1 1/2 | 1 3/4 | 1 15/16 | 2 |  |  |       |
| 80FB35                         | 35           | 11.710         | 11.156 | 2        | 21.40 |           |   | 1 1/4 | 1 7/16 | 1 1/2 | 1 3/4 | 1 15/16 | 2 |  |  |       |
| 80FB36                         | 36           | 12.030         | 11.474 | 2        | 22.40 |           |   | 1 1/4 | 1 7/16 | 1 1/2 | 1 3/4 | 1 15/16 | 2 |  |  |       |
| 80FB40                         | 40           | 13.310         | 12.746 | 2        | 26.00 |           |   | 1 1/4 | 1 7/16 | 1 1/2 | 1 3/4 | 1 15/16 | 2 |  |  |       |
| 80FB42                         | 42           | 13.940         | 13.382 | 2        | 28.00 |           |   |       |        |       | 1 1/2 |         |   |  |  | 2 1/2 |
| 80FB45                         | 45           | 14.900         | 14.336 | 2        | 30.00 |           |   |       |        |       |       |         |   |  |  | 2 1/2 |
| 80FB46                         | 46           | 15.460         | 14.860 | 2        | 31.50 |           |   |       |        |       |       |         |   |  |  | 2 1/2 |
| 80FB48                         | 48           | 15.860         | 15.290 | 2        | 33.00 |           |   |       |        |       |       |         |   |  |  | 2 1/2 |
| 80FB54                         | 54           | 17.770         | 17.198 | 2        | 40.50 |           |   |       |        |       |       |         |   |  |  | 2 1/2 |
| 80FB60                         | 60           | 19.680         | 19.107 | 2        | 48.00 |           |   |       |        |       |       |         |   |  |  | 2 1/2 |
| 80FB80                         | 80           | 26.050         | 25.471 | 2        | 72.00 |           |   |       |        |       |       |         |   |  |  | 2 1/2 |

(H) = With hardened teeth.

Keyway is on center line of tooth.



# SPROCKETS

SPROCKET #80 – 1" PITCH | NOMINAL = 0575"

| SINGLE – TYPE QD |              |                |        |         |      |                |                 |         |         |         |        |        |           |
|------------------|--------------|----------------|--------|---------|------|----------------|-----------------|---------|---------|---------|--------|--------|-----------|
| Part no.         | No. of teeth | Diameters (in) |        | Bushing | Type | Bore (in) Max. | Dimensions (in) |         |         |         |        |        | Weight lb |
|                  |              | Outside        | Pitch  |         |      |                | L1              | L2      | C       | Y       | G      | X      |           |
| 80SH11H          | 11           | 4.010          | 3.550  | SH      | B    | 1 5/8          | 1 7/16          | 1 7/16  | 2 11/16 | 2 1/32  | 1 5/64 | 1 3/16 | 1.00      |
| 80SH12H          | 12           | 4.330          | 3.864  | SH      | B    |                |                 |         |         |         |        |        | 1.40      |
| 80SDS13H         | 13           | 4.660          | 4.179  | SDS     | B    | 2              | 1 1/2           | 1 1/2   | 3 3/16  | 4 7/64  | 1 1/64 | 3/4    | 1.50      |
| 80SDS14H         | 14           | 4.980          | 4.494  | SDS     | B    |                |                 |         |         |         |        |        | 1.80      |
| 80SK15H          | 15           | 5.300          | 4.810  | SK      | B    | 2 5/8          | 2 1/8           | 2 1/8   | 3 7/8   | 1 19/64 | 2 1/32 | 1 1/4  | 2.50      |
| 80SK16H          | 16           | 5.630          | 5.126  | SK      | B    |                |                 |         |         |         |        |        | 3.10      |
| 80SK17H          | 17           | 5.950          | 5.442  | SK      | B    |                |                 |         |         |         |        |        | 3.50      |
| 80SK18H          | 18           | 6.270          | 5.759  | SK      | B    |                |                 |         |         |         |        |        | 3.90      |
| 80SK19H          | 19           | 6.590          | 6.076  | SK      | B    |                |                 |         |         |         |        |        | 4.40      |
| 80SF20H          | 20           | 6.910          | 6.392  | SF      | B    |                |                 |         |         |         |        |        | 5.30      |
| 80SF21H          | 21           | 7.240          | 6.710  | SF      | B    |                |                 |         |         |         |        |        | 5.70      |
| 80SF22           | 22           | 7.560          | 7.027  | SF      | B    |                |                 |         |         |         |        |        | 6.30      |
| 80SF23           | 23           | 7.880          | 7.344  | SF      | B    | 6.80           |                 |         |         |         |        |        |           |
| 80SF24           | 24           | 8.200          | 7.661  | SF      | B    | 7.50           |                 |         |         |         |        |        |           |
| 80SF25           | 25           | 8.520          | 7.979  | SF      | B    | 8.00           |                 |         |         |         |        |        |           |
| 80SF26           | 26           | 8.840          | 8.296  | SF      | B    | 8.60           |                 |         |         |         |        |        |           |
| 80SF27           | 27           | 9.160          | 8.614  | SF      | B    | 9.40           |                 |         |         |         |        |        |           |
| 80SF28           | 28           | 9.480          | 8.931  | SF      | B    | 10.20          |                 |         |         |         |        |        |           |
| 80SF30           | 30           | 10.110         | 9.567  | SF      | B    | 11.30          |                 |         |         |         |        |        |           |
| 80SF32           | 32           | 10.750         | 10.202 | SF      | B    | 2 15/16        | 2 1/4           | 2 1/4   | 4 5/8   | 1 27/64 | 2 1/32 | 1 1/4  | 13.00     |
| 80SF33           | 33           | 11.070         | 10.520 | SF      | B    | 13.50          |                 |         |         |         |        |        |           |
| 80SF34           | 34           | 11.390         | 10.838 | SF      | B    | 14.10          |                 |         |         |         |        |        |           |
| 80SF35           | 35           | 11.710         | 11.156 | SF      | B    | 15.50          |                 |         |         |         |        |        |           |
| 80SF36           | 36           | 12.030         | 11.474 | SF      | B    | 16.90          |                 |         |         |         |        |        |           |
| 80SF40           | 40           | 13.310         | 12.746 | SF      | B    | 20.60          |                 |         |         |         |        |        |           |
| 80SF42           | 42           | 13.940         | 13.382 | SF      | B    | 22.40          |                 |         |         |         |        |        |           |
| 80SF45           | 45           | 14.900         | 14.336 | SF      | B    | 25.10          |                 |         |         |         |        |        |           |
| 80SF48           | 48           | 15.860         | 15.290 | SF      | B    | 28.60          |                 |         |         |         |        |        |           |
| 80SF54           | 54           | 17.770         | 17.198 | SF      | B    | 36.80          |                 |         |         |         |        |        |           |
| 80SF60           | 60           | 19.680         | 19.107 | SF      | B    | 45.80          |                 |         |         |         |        |        |           |
| 80E70            | 70           | 22.870         | 22.289 | E       | C    | 3 1/2          | 2 5/8           | 2 15/16 | 6       | 7/8     | 1 3/64 | 1 5/8  | 55.60     |
| 80E72            | 72           | 23.500         | 22.926 | E       | C    |                |                 |         |         |         |        |        | 59.30     |
| 80E80            | 80           | 26.050         | 25.471 | E       | C    |                |                 |         |         |         |        |        | 69.20     |

(H) = With hardened teeth.



# SPROCKETS

SPROCKET #80 – 1" PITCH | NOMINAL = 0575"

| SINGLE – SPLIT TAPER SPROCKETS |              |                |        |           |
|--------------------------------|--------------|----------------|--------|-----------|
| Part no.                       | No. of teeth | Diameters (in) |        | Weight lb |
|                                |              | Outside        | Pitch  |           |
| 80Q14H                         | 14           | 4.980          | 4.494  | 3.00      |
| 80Q15H                         | 15           | 5.310          | 4.810  | 3.60      |
| 80Q16H                         | 16           | 5.630          | 5.126  | 4.60      |
| 80Q17H                         | 17           | 5.950          | 5.442  | 5.40      |
| 80Q18H                         | 18           | 6.270          | 5.759  | 6.00      |
| 80Q19H                         | 19           | 6.590          | 6.079  | 6.40      |
| 80Q20H                         | 20           | 6.910          | 6.392  | 6.90      |
| 80Q21H                         | 21           | 7.240          | 6.710  | 7.40      |
| 80Q22H                         | 22           | 7.560          | 7.027  | 8.00      |
| 80Q23H                         | 23           | 7.880          | 7.344  | 8.50      |
| 80Q24H                         | 24           | 8.200          | 7.661  | 9.30      |
| 80Q25H                         | 25           | 8.520          | 7.979  | 9.90      |
| 80Q26H                         | 26           | 8.840          | 8.296  | 10.40     |
| 80Q27H                         | 27           | 9.160          | 8.614  | 10.90     |
| 80Q28H                         | 28           | 9.480          | 8.931  | 11.50     |
| 80Q 30H                        | 30           | 10.110         | 9.567  | 13.00     |
| 80Q32H                         | 32           | 10.750         | 10.202 | 14.80     |
| 80Q33H                         | 33           | 11.070         | 10.520 | 15.50     |
| 80Q35H                         | 35           | 11.710         | 11.156 | 17.80     |
| 80Q36H                         | 36           | 11.980         | 11.474 | 18.10     |
| 80Q40                          | 40           | 13.310         | 12.746 | 21.90     |
| 80Q45                          | 45           | 14.900         | 14.336 | 27.80     |
| 80Q48                          | 48           | 15.860         | 15.290 | 30.80     |

(H) = With hardened teeth.

\*Q indicates Q1 bushings should be used. Q1 max. bore : 2 11/16"



# SPROCKETS

SPROCKETS #D80 & DS80 – 1" PITCH | NOMINAL = 0575"

| DOUBLE – TYPE B – DIMENSION T FOR #D80 = 1.710" |              |                |        |           |        |          |        |           |
|---|--------------|----------------|--------|-----------|--------|----------|--------|-----------|
| Part no.  | No. of teeth | Diameters (in) |        | Bore (in) |        | Hub (in) |        | Weight lb |
|   |              | Outside        | Pitch  | Stock     | Max.   | Dia.     | L.T.B. |           |
| D80B10H   | 10           | 3.680          | 3.236  | 1         | 1 1/2  | 2 9/16*  | 2 1/2  | 3.60      |
| D80B11H   | 11           | 4.010          | 3.550  | 1         | 1 3/4  | 2 1/2    | 2 1/2  | 4.00      |
| D80B12H   | 12           | 4.330          | 3.864  | 1         | 1 7/8  | 2 27/32  | 2 1/2  | 5.10      |
| D80B13H   | 13           | 4.660          | 4.179  | 1         | 2 1/4  | 3 5/32   | 2 1/2  | 6.30      |
| D80B14H   | 14           | 4.980          | 4.494  | 1         | 2 3/8  | 3 15/16  | 2 1/2  | 7.60      |
| D80B15H   | 15           | 5.300          | 4.810  | 1         | 2 1/2  | 3 51/64  | 2 1/2  | 9.00      |
| D80B16H   | 16           | 5.630          | 5.126  | 1         | 2 3/4  | 4        | 2 3/4  | 11.00     |
| D80B17H   | 17           | 5.950          | 5.442  | 1         | 3      | 4 27/64  | 2 3/4  | 13.20     |
| D80B18H   | 18           | 6.270          | 5.759  | 1         | 3 1/4  | 4 47/64  | 2 3/4  | 15.00     |
| D80B19H   | 19           | 6.590          | 6.076  | 1         | 3 5/16 | 5        | 2 3/4  | 17.00     |
| D80B20H   | 20           | 6.910          | 6.392  | 1         | 3 5/16 | 5        | 2 3/4  | 18.20     |
| D80B21H   | 21           | 7.240          | 6.710  | 1         | 3 5/16 | 5        | 2 3/4  | 19.60     |
| D80B22  | 22           | 7.560          | 7.027  | 1         | 3 5/16 | 5        | 2 3/4  | 21.00     |
| D80B23  | 23           | 7.880          | 7.344  | 1         | 3 5/16 | 5        | 2 3/4  | 22.80     |
| D80B24  | 24           | 8.200          | 7.661  | 1         | 3 1/2  | 5 1/4    | 2 3/4  | 25.10     |
| D80B25  | 25           | 8.520          | 7.979  | 1         | 3 1/2  | 5 1/4    | 3      | 28.30     |
| D80B26  | 26           | 8.840          | 8.296  | 1         | 3 1/2  | 5 1/4    | 3      | 29.90     |
| D80B30  | 30           | 10.110         | 9.567  | 1 1/4     | 3 3/4  | 5 3/4    | 3      | 39.50     |
| D80B32  | 32           | 10.750         | 10.202 | 1 1/4     | 3 3/4  | 5 3/4    | 3      | 43.80     |
| D80B35  | 35           | 11.710         | 11.156 | 1 1/4     | 3 3/4  | 5 3/4    | 3      | 49.10     |
| D80B36  | 36           | 12.030         | 11.474 | 1 1/4     | 3 3/4  | 5 3/4    | 3 1/8  | 54.20     |
| D80B42  | 42           | 13.940         | 13.382 | 1 1/4     | 3 3/4  | 5 3/4    | 3 1/8  | 71.50     |
| D80B45  | 45           | 14.900         | 14.336 | 1 1/4     | 3 3/4  | 5 3/4    | 3 3/4  | 73.50     |
| D80C60  | 60           | 19.680         | 19.107 | 1 1/2     | 3 3/4  | 5 3/4    | 3 3/4  | 93.30     |

| DOUBLE SINGLE – TYPE A |              |                   |           |         |                 |       |         |           |
|------------------------|--------------|-------------------|-----------|---------|-----------------|-------|---------|-----------|
| Part no.               | No. of teeth | Outside dia. (in) | Bore (in) |         | Dimensions (in) |       |         | Weight lb |
|                        |              |                   | Min.      | Max.    | L               | C     | E       |           |
| DS80A13H               | 13           | 4.660             | 1.000     | 2       | 2 3/16          | 1 5/8 | 3 1/64  | 6.50      |
| DS80A14H               | 14           | 4.980             | 1.000     | 2 1/4   | 2 3/16          | 1 5/8 | 3 11/32 | 7.70      |
| DS80A15H               | 15           | 5.300             | 1.000     | 2 3/8   | 2 3/16          | 1 5/8 | 3 13/16 | 9.10      |
| DS80A16H               | 16           | 5.630             | 1.000     | 2 11/16 | 2 3/16          | 1 5/8 | 4       | 9.50      |
| DS80A17H               | 17           | 5.950             | 1.000     | 2 13/16 | 2 3/16          | 1 5/8 | 4 5/16  | 10.80     |
| DS80A18H               | 18           | 6.270             | 1.000     | 3 1/8   | 2 3/16          | 1 5/8 | 4 41/64 | 12.10     |
| DS80A19H               | 19           | 6.590             | 1.000     | 3 1/4   | 2 3/16          | 1 5/8 | 4 61/64 | 12.80     |
| DS80A20H               | 20           | 6.910             | 1.000     | 3 1/2   | 2 3/16          | 1 5/8 | 5 9/32  | 14.00     |
| DS80A21H               | 21           | 7.240             | 1.000     | 3 3/4   | 2 3/16          | 1 5/8 | 5 19/32 | 16.50     |
| DS80A22H               | 22           | 7.560             | 1.000     | 3 7/8   | 2 3/16          | 1 5/8 | 5 59/64 | 18.40     |

(H) = With hardened teeth.

Maximum bores shown will accommodate standard keyway and setscrew over keyseat.

Slightly larger bores are possible with no keyseat, shallow keyseat or setscrew at an angle to keyseat.

# SPROCKETS

SPROCKET #100 – 1 1/4" PITCH | NOMINAL = 0.692"

| SINGLE – TYPE B |              |                |        |           |        |          |        |           |
|-----------------|--------------|----------------|--------|-----------|--------|----------|--------|-----------|
| Part no.        | No. of teeth | Diameters (in) |        | Bore (in) |        | Hub (in) |        | Weight lb |
|                 |              | Outside        | Pitch  | Stock     | Max.   | Dia.     | L.T.B. |           |
| 100B8H          | 8            | 3.770          | 3.266  | 1         | 1 1/4  | 2 7/8*   | 1 7/8  | 2.30      |
| 100B9H          | 9            | 4.180          | 3.655  | 1         | 1 5/8  | 2 13/16* | 1 7/8  | 3.20      |
| 100B10H         | 10           | 4.600          | 4.045  | 1         | 1 7/8  | 3 1/4*   | 1 7/8  | 4.10      |
| 100B11H         | 11           | 5.010          | 4.437  | 1         | 2 1/4  | 3 9/16*  | 1 7/8  | 5.30      |
| 100B12H         | 12           | 5.420          | 4.830  | 1         | 2 1/4  | 4*       | 1 7/8  | 6.40      |
| 100B13H         | 13           | 5.820          | 5.223  | 1         | 2 3/8  | 3 7/8    | 1 5/8  | 6.60      |
| 100B14H         | 14           | 6.230          | 5.617  | 1 1/4     | 2 3/4  | 4 3/16   | 1 5/8  | 7.40      |
| 100B15H         | 15           | 6.630          | 6.012  | 1 1/4     | 3      | 4 1/2    | 1 3/4  | 9.20      |
| 100B16H         | 16           | 7.030          | 6.407  | 1 5/16    | 3      | 4 1/2    | 1 3/4  | 9.90      |
| 100B17H         | 17           | 7.440          | 6.803  | 1 5/16    | 3      | 4 1/2    | 1 3/4  | 10.80     |
| 100B18H         | 18           | 7.840          | 7.198  | 1 5/16    | 3      | 4 1/2    | 1 3/4  | 11.50     |
| 100B19H         | 19           | 8.240          | 7.595  | 1 5/16    | 3      | 4 1/2    | 2      | 13.10     |
| 100B20H         | 20           | 8.640          | 7.991  | 1 5/16    | 3      | 4 1/2    | 2      | 14.20     |
| 100B21H         | 21           | 9.040          | 8.387  | 1 5/16    | 3      | 4 1/2    | 2      | 15.30     |
| 100B22          | 22           | 9.440          | 8.783  | 1 5/16    | 3      | 4 1/2    | 2      | 16.10     |
| 100B23          | 23           | 9.840          | 9.180  | 1 1/4     | 3      | 4 1/2    | 2      | 17.20     |
| 100B24          | 24           | 10.250         | 9.577  | 1 1/4     | 3      | 4 1/2    | 2      | 19.20     |
| 100B25          | 25           | 10.650         | 9.973  | 1 1/4     | 3      | 4 1/2    | 2      | 19.50     |
| 100B26          | 26           | 11.050         | 10.370 | 1 1/4     | 3 5/16 | 5        | 2      | 21.70     |
| 100B27          | 27           | 11.440         | 10.767 | 1 1/4     | 3 5/16 | 5        | 2      | 23.00     |
| 100B28          | 28           | 11.840         | 11.164 | 1 1/4     | 3 5/16 | 5        | 2      | 24.40     |
| 100B29          | 29           | 12.240         | 11.561 | 1 1/4     | 3 5/16 | 5        | 2      | 25.00     |
| 100B30          | 30           | 12.640         | 11.958 | 1 1/4     | 3 5/16 | 5        | 2      | 26.90     |
| 100B32          | 32           | 13.440         | 12.753 | 1 1/4     | 3 5/16 | 5        | 2      | 29.80     |
| 100B35          | 35           | 14.640         | 13.945 | 1 1/4     | 3 5/16 | 5        | 2 1/2  | 36.90     |
| 100B36          | 36           | 15.040         | 14.342 | 1 1/4     | 3 5/16 | 5        | 2 1/2  | 38.60     |
| 100B38          | 38           | 15.840         | 15.137 | 1 1/4     | 3 5/16 | 5        | 2 1/2  | 41.50     |
| 100B39          | 39           | 16.230         | 15.534 | 1 1/4     | 3 5/16 | 5        | 2 1/2  | 43.60     |
| 100B40          | 40           | 16.630         | 15.932 | 1 1/4     | 3 5/16 | 5        | 2 1/2  | 46.90     |
| 100B42          | 42           | 17.430         | 16.727 | 1 1/4     | 3 5/16 | 5        | 2 1/2  | 50.40     |
| 100B45          | 45           | 18.630         | 17.920 | 1 1/4     | 3 5/16 | 5        | 2 1/2  | 54.00     |
| 100B48          | 48           | 19.820         | 19.112 | 1 1/2     | 4      | 6        | 2 1/2  | 66.00     |
| 100B54          | 54           | 22.210         | 21.498 | 1 1/2     | 4      | 6        | 3 1/4  | 78.00     |
| 100B60          | 60           | 24.600         | 23.880 | 1 1/2     | 4      | 6        | 3 1/4  | 89.00     |

(H) = With hardened teeth.

\*Has recessed groove in hub for chain clearance. Maximum bores shown will accommodate standard keyway and setscrew over keyseat. Slightly larger bores are possible with no keyway, shallow keyway or setscrew at an angle to keyway.

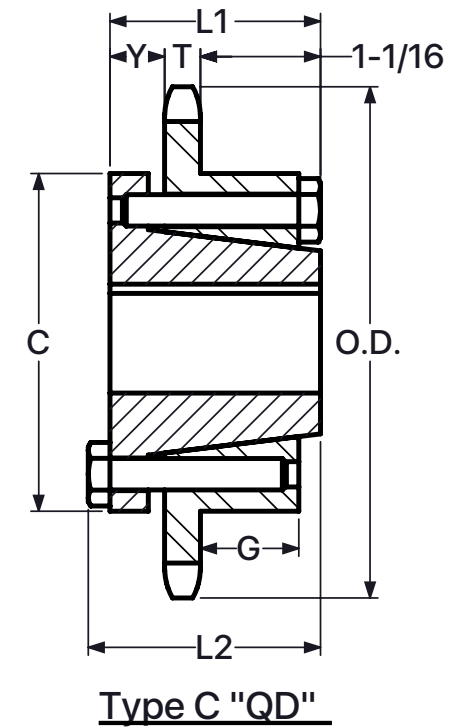
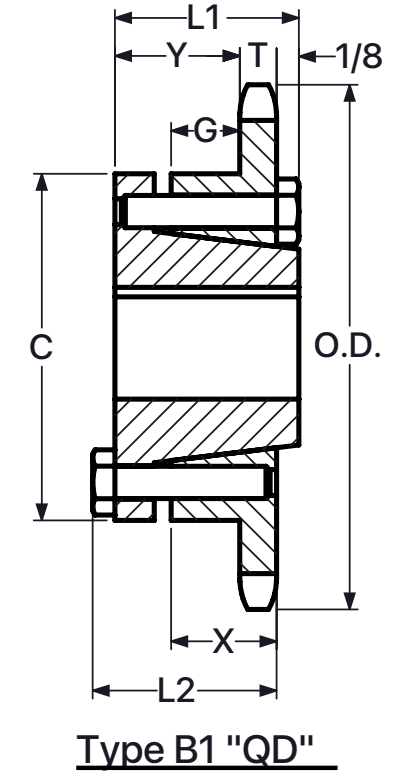
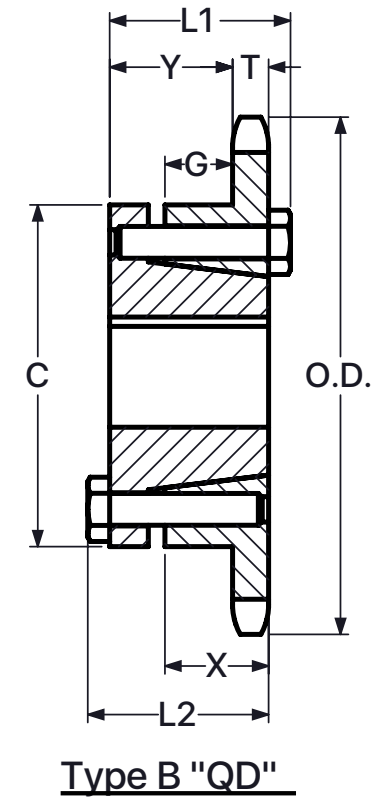




# SPROCKETS

SPROCKET #100 – 1 1/4" PITCH | NOMINAL = 0.692"

| SINGLE – TYPE QD |              |                |        |         |      |                |                 |         |        |         |       |       |           |
|------------------|--------------|----------------|--------|---------|------|----------------|-----------------|---------|--------|---------|-------|-------|-----------|
| Part no.         | No. of teeth | Diameters (in) |        | Bushing | Type | Bore (in) Max. | Dimensions (in) |         |        |         |       |       | Weight lb |
|                  |              | Outside        | Pitch  |         |      |                | L1              | L2      | C      | Y       | G     | X     |           |
| 100SDS11H        | 11           | 5.010          | 4.437  | SDS     | B    | 2              | 1 1/2           | 1 1/2   | 3 3/16 | 5/8     | 1/16  | 3/4   | 2.00      |
| 100SDS12H        | 12           | 5.420          | 4.830  | SDS     | B    |                |                 |         |        |         |       |       | 2.60      |
| 100SK13H         | 13           | 5.820          | 5.223  | SK      | B    | 2 5/8          | 2 1/8           | 2 1/8   | 3 7/8  | 1-13/64 | 9/16  | 11/4  | 3.30      |
| 100SK14H         | 14           | 6.230          | 5.617  | SK      | B    |                |                 |         |        |         |       |       | 4.10      |
| 100SF15H         | 15           | 6.630          | 6.012  | SF      | B    | 2 15/16        | 2 1/4           | 2 1/4   | 4 5/8  | 119/64  | 9/16  | 11/4  | 4.80      |
| 100SF16H         | 16           | 7.030          | 6.407  | SF      | B    |                |                 |         |        |         |       |       | 5.60      |
| 100SF17H         | 17           | 7.440          | 6.803  | SF      | B    |                |                 |         |        |         |       |       | 6.50      |
| 100E18H          | 18           | 7.840          | 7.198  | E       | B1   |                |                 |         |        |         |       |       | 9.00      |
| 100E19H          | 19           | 8.240          | 7.595  | E       | B1   |                |                 |         |        |         |       |       | 10.20     |
| 100E20H          | 20           | 8.640          | 7.991  | E       | B1   |                |                 |         |        |         |       |       | 11.60     |
| 100E21H          | 21           | 9.040          | 8.387  | E       | B1   |                |                 |         |        |         |       |       | 12.50     |
| 100E22           | 22           | 9.440          | 8.783  | E       | B1   |                |                 |         |        |         |       |       | 13.50     |
| 100E23           | 23           | 9.840          | 9.180  | E       | B1   |                |                 |         |        |         |       |       | 14.60     |
| 100E24           | 24           | 10.250         | 9.577  | E       | B1   |                |                 |         |        |         |       |       | 15.70     |
| 100E25           | 25           | 10.650         | 9.973  | E       | B1   |                |                 |         |        |         |       |       | 16.80     |
| 100E26           | 26           | 11.050         | 10.370 | E       | B1   |                |                 |         |        |         |       |       | 18.10     |
| 100E27           | 27           | 11.440         | 10.767 | E       | B1   |                |                 |         |        |         |       |       | 19.20     |
| 100E28           | 28           | 11.840         | 11.164 | E       | B1   | 3 1/2          | 2 5/8           | 2 15/16 | 6      | 113/16  | 15/16 | 1 5/8 | 20.70     |
| 100E30           | 30           | 12.640         | 11.958 | E       | B1   |                |                 |         |        |         |       |       | 23.20     |
| 100E32           | 32           | 13.440         | 12.753 | E       | B1   |                |                 |         |        |         |       |       | 25.40     |
| 100E35           | 35           | 14.640         | 13.945 | E       | B1   |                |                 |         |        |         |       |       | 30.50     |
| 100E36           | 36           | 15.040         | 14.342 | E       | B1   |                |                 |         |        |         |       |       | 32.30     |
| 100E40           | 40           | 16.630         | 15.932 | E       | B1   |                |                 |         |        |         |       |       | 39.10     |
| 100E42           | 42           | 17.430         | 16.727 | E       | B1   |                |                 |         |        |         |       |       | 43.40     |
| 100E45           | 45           | 18.630         | 17.920 | E       | B1   |                |                 |         |        |         |       |       | 48.90     |
| 100E48           | 48           | 19.820         | 19.112 | E       | B1   |                |                 |         |        |         |       |       | 54.00     |
| 100E54           | 54           | 22.210         | 21.498 | E       | C    |                |                 |         |        |         |       |       | 62.00     |
| 100E60           | 60           | 24.600         | 23.884 | E       | C    |                |                 |         |        |         |       |       | 74.00     |



## SPROCKETS

SPROCKET #100 – 1 1/4" PITCH | NOMINAL = 0.692"

| SINGLE – SPLIT TAPER SPROCKETS |              |                |       |           |
|--------------------------------|--------------|----------------|-------|-----------|
| Part no.                       | No. of teeth | Diameters (in) |       | Weight lb |
|                                |              | Outside        | Pitch |           |
| 100Q12H                        | 12           | 5.420          | 4.830 | 3.50      |
| 100Q13H                        | 13           | 5.820          | 5.223 | 4.30      |
| 100Q14H                        | 14           | 6.230          | 5.617 | 5.60      |
| 100Q15H                        | 15           | 6.630          | 6.012 | 6.50      |
| 100Q16H                        | 16           | 7.030          | 6.407 | 7.40      |
| 100Q17H                        | 17           | 7.440          | 6.803 | 8.20      |
| 100Q18H                        | 18           | 7.840          | 7.198 | 9.00      |
| 100Q19H                        | 19           | 8.240          | 7.595 | 9.90      |
| 100Q20H                        | 20           | 8.640          | 7.991 | 10.80     |
| 100Q21H                        | 21           | 9.040          | 8.387 | 11.70     |
| 100R21H                        | 21           | 9.040          | 8.387 | 13.30     |
| 100Q22H                        | 22           | 9.440          | 8.783 | 12.50     |
| 100R22H                        | 22           | 9.440          | 8.783 | 13.80     |
| 100Q23H                        | 23           | 9.840          | 9.180 | 13.90     |
| 100R23H                        | 23           | 9.840          | 9.180 | 15.00     |
| 100Q24H                        | 24           | 10.250         | 9.577 | 15.50     |
| 100R24H                        | 24           | 10.250         | 9.577 | 16.10     |
| 100Q25H                        | 25           | 10.650         | 9.973 | 16.20     |
| 100R25H                        | 25           | 10.650         | 9.973 | 17.00     |

(H) = With hardened teeth.

\*Q or R indicates Q1 and R1 bushing should be used.

Q1 max. bore : 2 11/16" ; R1 max. bore : 3 3/4"



## SPROCKETS

SPROCKET #D100 – 1 1/4" PITCH | NOMINAL = 0.669"

| DOUBLE – TYPE B – DIMENSION T FOR #D100 = 2.077" |              |                |        |           |        |          |        |           |
|--|--------------|----------------|--------|-----------|--------|----------|--------|-----------|
| Part no.   | No. of teeth | Diameters (in) |        | Bore (in) |        | Hub (in) |        | Weight lb |
|  |              | Outside        | Pitch  | Stock     | Max.   | Dia.     | L.T.B. |           |
| D100B12H   | 12           | 5.420          | 4.830  | 11/8      | 2 1/4  | 3 3/8    | 2 7/8  | 9.30      |
| D100B13H   | 13           | 5.820          | 5.223  | 11/8      | 2 1/2  | 3 13/16  | 2 7/8  | 11.40     |
| D100B14H   | 14           | 6.230          | 5.617  | 11/8      | 2 3/4  | 4 3/16   | 2 7/8  | 13.60     |
| D100B15H   | 15           | 6.630          | 6.012  | 11/4      | 3 1/8  | 4 5/8    | 3 1/8  | 17.10     |
| D100B16H   | 16           | 7.030          | 6.407  | 11/4      | 3 5/16 | 5        | 3 1/8  | 20.10     |
| D100B17H   | 17           | 7.440          | 6.803  | 11/4      | 3 1/2  | 5 1/4    | 3 1/8  | 23.10     |
| D100B18H   | 18           | 7.840          | 7.198  | 11/4      | 3 1/2  | 5 1/4    | 3 1/8  | 25.40     |
| D100B19H   | 19           | 8.240          | 7.595  | 11/4      | 3 3/4  | 5 1/2    | 3 3/8  | 29.60     |
| D100B20H   | 20           | 8.640          | 7.991  | 11/4      | 3 3/4  | 5 1/2    | 3 3/8  | 32.40     |
| D100B21H   | 21           | 9.040          | 8.387  | 11/4      | 3 3/4  | 5 1/2    | 3 3/8  | 35.30     |
| D100B22  | 22           | 9.440          | 8.783  | 11/4      | 3 3/4  | 5 1/2    | 3 3/8  | 38.40     |
| D100B23  | 23           | 9.840          | 9.180  | 11/4      | 3 3/4  | 5 1/2    | 3 3/8  | 41.30     |
| D100B24  | 24           | 10.250         | 9.577  | 11/4      | 3 3/4  | 5 3/4    | 3 3/8  | 45.10     |
| D100B25  | 25           | 10.650         | 9.973  | 11/4      | 3 3/4  | 5 3/4    | 3 3/8  | 48.50     |
| D100B26  | 26           | 11.050         | 10.370 | 11/2      | 3 3/4  | 5 3/4    | 3 3/8  | 51.50     |
| D100B30  | 30           | 12.640         | 11.958 | 11/2      | 3 3/4  | 5 3/4    | 3 3/8  | 65.00     |

(H) = With hardened teeth.

Maximum bores shown will accommodate standard keyseat and setscrew over keyseat. Slightly larger bores are possible with no keyseat, shallow keyseat or setscrew at an angle to keyseat.



# SPROCKETS

SPROCKET #120 – 1 1/2" PITCH | NOMINAL = 0.924"

| SINGLE – TYPE B |              |                |        |           |         |          |        |           |
|-----------------|--------------|----------------|--------|-----------|---------|----------|--------|-----------|
| Part no.        | No. of teeth | Diameters (in) |        | Bore (in) |         | Hub (in) |        | Weight lb |
|                 |              | Outside        | Pitch  | Stock     | Max.    | Dia.     | L.T.B. |           |
| 120B9H          | 9            | 5.020          | 4.386  | 1 3/8     | 1 13/16 | 3 3/8*   | 2 1/4  | 5.30      |
| 120B10H         | 10           | 5.520          | 4.854  | 1 3/8     | 2 1/4   | 3 3/4*   | 2 1/4  | 7.10      |
| 120B11H         | 11           | 6.010          | 5.324  | 1 3/8     | 2 3/8   | 3 9/16   | 2 1/8  | 7.60      |
| 120B12H         | 12           | 6.500          | 5.796  | 1 3/8     | 2 3/4   | 4 1/8    | 2 1/8  | 9.90      |
| 120B13H         | 13           | 6.900          | 6.268  | 1 3/8     | 3       | 4 9/16   | 2 1/4  | 12.40     |
| 120B14H         | 14           | 7.470          | 6.741  | 1 3/8     | 3 1/4   | 4 3/4    | 2 1/4  | 14.40     |
| 120B15H         | 15           | 7.960          | 7.215  | 1 1/4     | 3 1/4   | 4 3/4    | 2 3/8  | 16.70     |
| 120B16H         | 16           | 8.440          | 7.689  | 1 1/4     | 3 1/2   | 5 1/4    | 2 3/8  | 19.90     |
| 120B17H         | 17           | 8.940          | 8.163  | 1 1/4     | 3 1/2   | 5 1/4    | 2 3/8  | 20.80     |
| 120B18H         | 18           | 9.410          | 8.638  | 1 1/4     | 3 1/2   | 5 1/4    | 2 3/8  | 22.20     |
| 120B19H         | 19           | 9.890          | 9.113  | 1 1/4     | 3 1/2   | 5 1/4    | 2 3/8  | 24.80     |
| 120B20H         | 20           | 10.370         | 9.589  | 1 1/4     | 3 1/2   | 5 1/4    | 2 3/8  | 25.80     |
| 120B21H         | 21           | 10.850         | 10.064 | 1 1/4     | 3 1/2   | 5 1/4    | 2 3/8  | 26.70     |
| 120B22          | 22           | 11.330         | 10.540 | 1 1/4     | 3 1/2   | 5 1/4    | 2 3/8  | 28.20     |
| 120B23          | 23           | 11.810         | 11.016 | 1 1/4     | 3 1/2   | 5 1/4    | 2 3/8  | 30.30     |
| 120B24          | 24           | 12.290         | 11.492 | 1 1/4     | 3 1/2   | 5 1/4    | 2 3/8  | 32.10     |
| 120B25          | 25           | 12.770         | 11.968 | 1 1/4     | 3 1/2   | 5 1/4    | 2 3/8  | 34.60     |
| 120B26          | 26           | 13.250         | 12.444 | 1 1/2     | 4       | 6        | 2 1/2  | 40.00     |
| 120B28          | 28           | 14.210         | 13.397 | 1 1/2     | 4       | 6        | 2 1/2  | 44.90     |
| 120B30          | 30           | 15.170         | 14.350 | 1 1/2     | 4       | 6        | 2 1/2  | 50.20     |
| 120B32          | 32           | 16.130         | 15.303 | 1 1/2     | 4       | 6        | 2 1/2  | 56.00     |
| 120B35          | 35           | 17.570         | 16.734 | 1 1/2     | 4       | 6        | 2 1/2  | 62.40     |
| 120B36          | 36           | 18.050         | 17.211 | 1 1/2     | 4       | 6        | 2 1/2  | 66.40     |
| 120B40          | 40           | 19.960         | 19.118 | 1 1/2     | 4       | 6        | 3 3/4  | 92.00     |

(H) = With hardened teeth.

\*Has recessed groove in hub for chain clearance. Maximum bores shown will accommodate standard keyway and setscrew over keyseat. Slightly larger bores are possible with no keyway, shallow keyway or setscrew at an angle to keyway.



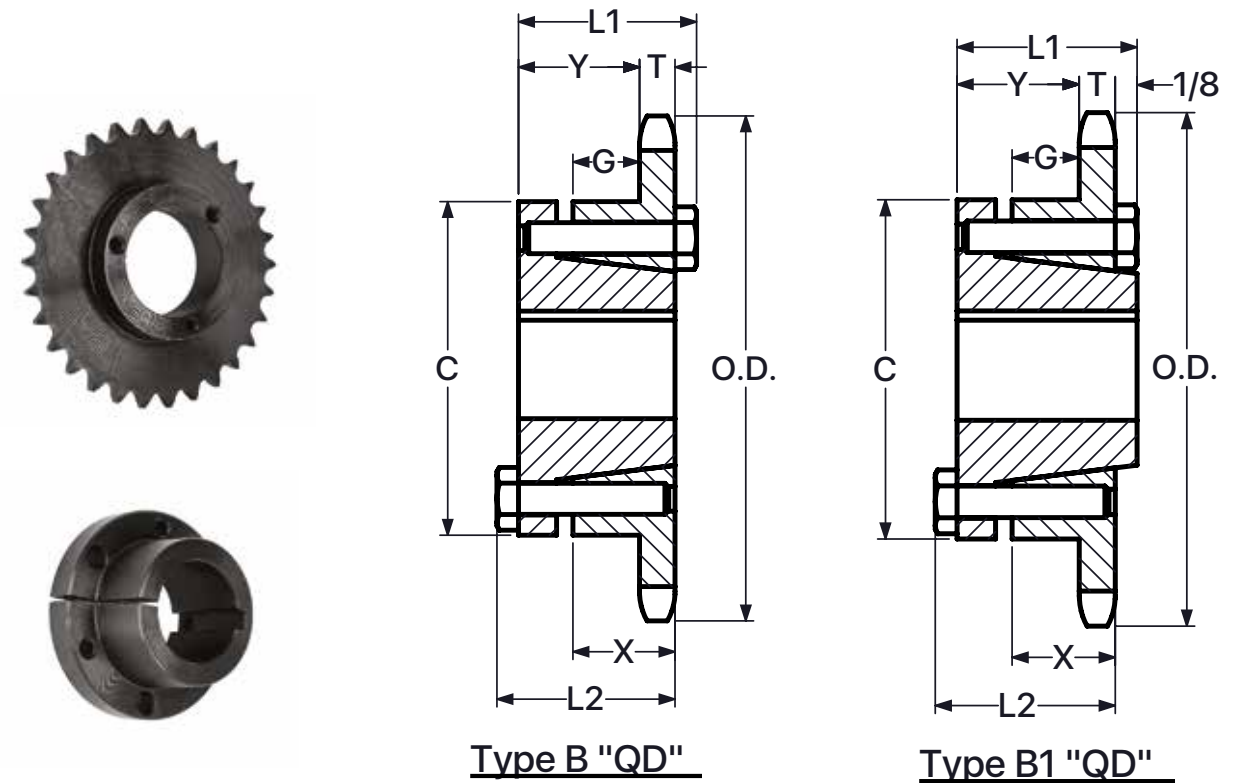
| SINGLE – TYPE A |           |           |
|-----------------|-----------|-----------|
| Part no.        | Bore (in) | Weight lb |
| 120A9           | 1 1/4     | 3.00      |
| 120A10          | 1 1/4     | 3.80      |
| 120A11          | 1 1/4     | 4.80      |
| 120A12          | 1 1/4     | 5.80      |
| 120A13          | 1 1/4     | 6.70      |
| 120A14          | 1 1/4     | 8.00      |
| 120A15          | 1 1/4     | 9.00      |
| 120A16          | 1 1/4     | 10.60     |
| 120A17          | 1 1/4     | 12.60     |
| 120A18          | 1 1/4     | 13.60     |
| 120A19          | 1 1/4     | 15.10     |
| 120A20          | 1 1/4     | 16.90     |
| 120A21          | 1 1/4     | 18.70     |
| 120A22          | 1 1/4     | 20.00     |
| 120A23          | 1 1/4     | 22.10     |
| 120A24          | 1 1/4     | 24.80     |
| 120A25          | 1 1/4     | 26.80     |
| 120A26          | 1 1/2     | 28.30     |
| 120A28          | 1 1/2     | 33.60     |
| 120A30          | 1 1/2     | 39.00     |
| 12032           | 1 1/2     | 43.90     |
| 12035           | 1 1/2     | 52.00     |
| 12036           | 1 1/2     | 56.00     |
| 12040           | 1 1/2     | 71.00     |

# SPROCKETS

SPROCKET #120 – 1 1/2" PITCH | NOMINAL = 0.924"

| SINGLE – TYPE QD |              |                |        |         |      |                |                 |         |       |       |       |       |           |
|------------------|--------------|----------------|--------|---------|------|----------------|-----------------|---------|-------|-------|-------|-------|-----------|
| Part no.         | No. of teeth | Diameters (in) |        | Bushing | Type | Bore (in) Max. | Dimensions (in) |         |       |       |       |       | Weight lb |
|                  |              | Outside        | Pitch  |         |      |                | L1              | L2      | C     | Y     | G     | X     |           |
| 120SF12H         | 12           | 6.500          | 5.796  | SF      | B    | 2 15/16        | 2 1/4           | 2 1/4   | 4-5/8 | 15/64 | 21/64 | 1 1/4 | 4.70      |
| 120SF13H         | 13           | 6.900          | 6.268  | SF      | B    |                |                 |         |       |       |       |       | 6.10      |
| 120SF14H         | 14           | 7.470          | 6.741  | SF      | B    |                |                 |         |       |       |       |       | 7.40      |
| 120SF15H         | 15           | 7.960          | 7.215  | SF      | B    |                |                 |         |       |       |       |       | 8.00      |
| 120E16H          | 16           | 8.440          | 7.689  | E       | B1   |                |                 |         |       |       |       |       | 11.20     |
| 120E17H          | 17           | 8.940          | 8.163  | E       | B1   | 13.40          |                 |         |       |       |       |       |           |
| 120E18H          | 18           | 9.410          | 8.638  | E       | B1   | 14.80          |                 |         |       |       |       |       |           |
| 120E19H          | 19           | 9.890          | 9.113  | E       | B1   | 16.50          |                 |         |       |       |       |       |           |
| 120E20H          | 20           | 10.370         | 9.589  | E       | B1   | 19.20          |                 |         |       |       |       |       |           |
| 120E21H          | 21           | 10.850         | 10.064 | E       | B1   | 19.90          |                 |         |       |       |       |       |           |
| 120E22           | 22           | 11.330         | 10.540 | E       | B1   | 3 1/2          | 2 5/8           | 2 15/16 | 6     | 19/16 | 45/64 | 15/8  | 21.60     |
| 120E23           | 23           | 11.810         | 11.016 | E       | B1   | 23.80          |                 |         |       |       |       |       |           |
| 120E24           | 24           | 12.290         | 11.492 | E       | B1   | 25.80          |                 |         |       |       |       |       |           |
| 120E25           | 25           | 12.770         | 11.968 | E       | B1   | 28.10          |                 |         |       |       |       |       |           |
| 120E26           | 26           | 13.250         | 12.444 | E       | B1   | 29.90          |                 |         |       |       |       |       |           |
| 120E28           | 28           | 14.210         | 13.397 | E       | B1   | 34.70          |                 |         |       |       |       |       |           |
| 120E30           | 30           | 15.170         | 14.350 | E       | B1   | 39.40          |                 |         |       |       |       |       |           |

(H) = With hardened teeth.



# SPROCKETS

SPROCKET #120 – 1 1/2" PITCH | NOMINAL = 0.924"

| SINGLE – SPLIT TAPER SPROCKETS |              |                |        |           |
|--------------------------------|--------------|----------------|--------|-----------|
| Part no.                       | No. of teeth | Diameters (in) |        | Weight lb |
|                                |              | Outside        | Pitch  |           |
| 120Q11H                        | 11           | 6.010          | 5.324  | 4.80      |
| 120Q12H                        | 12           | 6.500          | 5.796  | 6.30      |
| 120Q13H                        | 13           | 6.990          | 6.268  | 7.90      |
| 120Q14H                        | 14           | 7.470          | 6.741  | 9.10      |
| 120Q15H                        | 15           | 7.960          | 7.215  | 10.40     |
| 120R16H                        | 16           | 8.390          | 7.689  | 12.30     |
| 120R17H                        | 17           | 8.880          | 8.163  | 13.60     |
| 120R18H                        | 18           | 9.410          | 8.638  | 15.90     |
| 120R19H                        | 19           | 9.890          | 9.113  | 16.80     |
| 120R20H                        | 20           | 10.370         | 9.589  | 18.80     |
| 120R21H                        | 21           | 10.850         | 10.064 | 21.00     |
| 120R22H                        | 22           | 11.330         | 10.540 | 22.50     |
| 120R23H                        | 23           | 11.810         | 11.016 | 24.80     |
| 120R24H                        | 24           | 12.290         | 11.492 | 26.90     |
| 120R25H                        | 25           | 12.770         | 11.968 | 29.80     |
| 120R26H*                       | 26           | 13.250         | 12.444 | 29.80     |
| 120R27H*                       | 27           | 13.850         | 12.862 | 32.00     |
| 120R28H*                       | 28           | 14.210         | 13.397 | 38.30     |
| 120R29H*                       | 29           | 14.800         | 13.896 | 41.00     |
| 120R30H*                       | 30           | 15.170         | 14.350 | 43.40     |
| 120R32*                        | 32           | 16.130         | 15.303 | 49.40     |

(H) = With hardened teeth.

\*Q or R indicates Q1 and R1 bushings should be used.

Q1 max. bore : 2 11/16" ; R1 max. bore : 3 3/4"

\*\*Indicates that bushings are reversed when assembled.



# SPROCKETS

SPROCKET #140 – 1 3/4" PITCH | NOMINAL = 0.924"

| SINGLE – TYPE B |              |                |        |           |       |          |        |           |
|-----------------|--------------|----------------|--------|-----------|-------|----------|--------|-----------|
| Part no.        | No. of teeth | Diameters (in) |        | Bore (in) |       | Hub (in) |        | Weight lb |
|                 |              | Outside        | Pitch  | Stock     | Max.  | Dia.     | L.T.B. |           |
| 140B12H         | 12           | 7.580          | 6.762  | 1 1/2     | 3     | 4 1/2    | 2 1/4  | 13.20     |
| 140B13H         | 13           | 8.150          | 7.313  | 1 1/2     | 3 3/4 | 4 1/2    | 2 3/8  | 18.90     |
| 140B14H         | 14           | 8.720          | 7.864  | 1 1/2     | 3 3/4 | 5 1/2    | 2 3/8  | 20.40     |
| 140B15H         | 15           | 9.280          | 8.417  | 1 1/2     | 4 1/4 | 6 1/4    | 2 3/8  | 25.10     |
| 140B16H         | 16           | 9.850          | 8.970  | 1 1/2     | 4 1/4 | 6 1/4    | 2 3/8  | 27.90     |
| 140B17H         | 17           | 10.410         | 9.524  | 1 1/2     | 4 1/4 | 6 1/4    | 2 1/2  | 29.80     |
| 140B18H         | 18           | 10.980         | 10.078 | 1 1/2     | 4 1/4 | 6 1/4    | 2 1/2  | 32.00     |
| 140B19H         | 19           | 11.540         | 10.632 | 1 1/2     | 4 1/4 | 6 1/4    | 2 1/2  | 34.10     |
| 140B20H         | 20           | 12.100         | 11.187 | 1 1/2     | 4 1/4 | 6 1/4    | 2 1/2  | 36.00     |
| 140B21H         | 21           | 12.660         | 11.742 | 1 1/2     | 4 1/4 | 6 1/4    | 2 1/2  | 38.70     |
| 140B22          | 22           | 13.220         | 12.297 | 1 1/2     | 4 1/4 | 6 1/4    | 2 1/2  | 40.60     |
| 140B23          | 23           | 13.780         | 12.852 | 1 1/2     | 4 1/4 | 6 1/4    | 2 1/2  | 42.10     |
| 140B24          | 24           | 14.340         | 13.407 | 1 1/2     | 4 1/4 | 6 1/4    | 2 1/2  | 46.20     |
| 140B25          | 25           | 14.900         | 13.963 | 1 1/2     | 4 1/4 | 6 1/4    | 2 1/2  | 47.80     |
| 140B26          | 26           | 15.460         | 14.518 | 1 1/2     | 4 1/4 | 6 1/4    | 3      | 57.20     |
| 140B27          | 27           | 16.020         | 15.074 | 1 1/2     | 4 1/4 | 6 1/4    | 3      | 58.50     |
| 140B28          | 28           | 16.580         | 15.630 | 1 1/2     | 4 1/4 | 6 1/4    | 3      | 62.20     |
| 140B30          | 30           | 17.700         | 16.742 | 1 1/2     | 4 1/4 | 6 1/4    | 3      | 69.80     |
| 140B32          | 32           | 18.820         | 17.854 | 1 1/2     | 4 1/4 | 6 1/4    | 3      | 76.30     |
| 140B35          | 35           | 20.490         | 19.523 | 1 1/2     | 5 1/4 | 6 1/4    | 3      | 108.00    |
| 140B40          | 40           | 23.290         | 22.305 | 1 1/2     | 5 1/4 | 6 1/4    | 3      | 128.00    |
| 140B45          | 45           | 26.080         | 25.087 | 1 1/2     | 5 1/4 | 6 1/4    | 3      | 166.00    |
| 140B48          | 48           | 27.750         | 26.757 | 1 1/2     | 5 1/4 | 6 1/4    | 3      | 169.00    |

(H) = With hardened teeth.

\*Has recessed groove in hub for chain clearance. Maximum bores shown will accommodate standard keyway and setscrew over keyseat. Slightly larger bores are possible with no keyway, shallow keyway or setscrew at an angle to keyway.

| SINGLE – TYPE A |                 |           |
|-----------------|-----------------|-----------|
| Part no.        | Bore (in) Stock | Weight lb |
| 140A12          | 1 1/2           | 7.80      |
| 140A13          | 1 1/2           | 8.20      |
| 140A14          | 1 1/2           | 10.00     |
| 140A15          | 1 1/2           | 11.00     |
| 140A16          | 1 1/2           | 14.00     |
| 140A17          | 1 1/2           | 16.00     |
| 140A18          | 1 1/2           | 18.00     |
| 140A19          | 1 1/2           | 21.00     |
| 140A20          | 1 1/2           | 23.00     |
| 140A21          | 1 1/2           | 25.00     |
| 140A22          | 1 1/2           | 28.00     |
| 140A23          | 1 1/2           | 30.00     |
| 140A24          | 1 1/2           | 33.00     |
| 140A25          | 1 1/2           | 34.00     |
| 140A26          | 1 1/2           | 39.00     |
| 140A27          | 1 1/2           | 41.00     |
| 140A28          | 1 1/2           | 45.00     |
| 140A30          | 1 1/2           | 52.00     |
| 140A32          | 1 1/2           | 60.00     |
| 140A35          | 1 1/2           | 73.00     |
| 140A40          | 1 1/2           | 93.00     |
| 140A45          | 1 1/2           | 131.00    |
| 140A48          | 1 1/2           | 134.00    |





# SPROCKETS

SPROCKET #140 – 1 3/4" PITCH | NOMINAL = 0.924"

| SINGLE – SPLIT TAPER SPROCKETS |              |                |        |           |
|--------------------------------|--------------|----------------|--------|-----------|
| Part no.                       | No. of teeth | Diameters (in) |        | Weight lb |
|                                |              | Outside        | Pitch  |           |
| 140Q11H                        | 11           | 7.010          | 6.212  | 6.40      |
| 140Q12H                        | 12           | 7.580          | 6.762  | 9.00      |
| 140R13H                        | 13           | 8.150          | 7.313  | 11.10     |
| 140R14H                        | 14           | 8.720          | 7.864  | 12.60     |
| 140R15H                        | 15           | 9.280          | 8.417  | 14.70     |
| 140R16H                        | 16           | 9.850          | 8.970  | 16.50     |
| 140R17H                        | 17           | 10.410         | 9.524  | 18.50     |
| 140R18H                        | 18           | 10.970         | 10.078 | 20.50     |
| 140R19H                        | 19           | 11.540         | 10.632 | 23.00     |
| 140R20H                        | 20           | 12.100         | 11.187 | 25.40     |
| 140R21H                        | 21           | 12.660         | 11.742 | 27.80     |
| 140R22*                        | 22           | 13.220         | 12.297 | 27.80     |
| 140R23*                        | 23           | 13.780         | 12.852 | 32.50     |
| 140R24*                        | 24           | 14.340         | 13.407 | 36.00     |
| 140R25*                        | 25           | 14.900         | 13.963 | 37.60     |
| 140R26*                        | 26           | 15.460         | 14.513 | 40.30     |

(H) = With hardened teeth.

\*Q or R indicates Q1 & R1 bushings should be used.

Q1 max. bore : 2 11/16" ; R1 max. bore : 3 3/4"

\*\*Indicates that bushings are reversed when assembled.



# SPROCKETS

SPROCKET #160 – 2" PITCH | NOMINAL = 1.156"

| SINGLE – TYPE B |              |                |        |           |       |          |        |            |
|-----------------|--------------|----------------|--------|-----------|-------|----------|--------|------------|
| Part no.        | No. of teeth | Diameters (in) |        | Bore (in) |       | Hub (in) |        | Weight Lb. |
|                 |              | Outside        | Pitch  | Stock     | Max.  | Dia.     | L.T.B. |            |
| 160B10H         | 10           | 7.360          | 6.472  | 1 1/2     | 2 3/4 | 4 1/4    | 2 1/4  | 12.00      |
| 160B11H         | 11           | 8.010          | 7.099  | 1 1/2     | 3 1/4 | 4 3/4    | 2 1/2  | 17.00      |
| 160B12H         | 12           | 8.660          | 7.727  | 1 1/2     | 3 3/4 | 5 1/2    | 2 1/2  | 21.00      |
| 160B13H         | 13           | 9.310          | 8.357  | 1 1/2     | 4     | 6        | 2 3/4  | 28.00      |
| 160B14H         | 14           | 9.960          | 8.988  | 1 1/2     | 4 1/2 | 6 1/2    | 2 3/4  | 32.00      |
| 160B15H         | 15           | 10.610         | 9.620  | 1 1/2     | 5 1/4 | 7        | 2 3/4  | 37.00      |
| 160B16H         | 16           | 11.260         | 10.252 | 1 1/2     | 5 1/4 | 7        | 2 3/4  | 41.00      |
| 160B17H         | 17           | 11.900         | 10.885 | 1 1/2     | 5 1/4 | 7        | 2 3/4  | 45.00      |
| 160B18H         | 18           | 12.540         | 11.518 | 1 1/2     | 5 1/4 | 7        | 2 3/4  | 48.00      |
| 160B19H         | 19           | 13.190         | 12.151 | 1 1/2     | 5 1/4 | 7        | 2 3/4  | 52.00      |
| 160B20H         | 20           | 13.830         | 12.785 | 1 1/2     | 5 1/4 | 7        | 2 3/4  | 56.00      |
| 160B21H         | 21           | 14.470         | 13.419 | 1 1/2     | 5 1/4 | 7        | 2 3/4  | 59.00      |
| 160B22          | 22           | 15.110         | 14.053 | 1 1/2     | 5 1/4 | 7        | 2 3/4  | 65.00      |
| 160B23          | 23           | 15.750         | 14.688 | 1 1/2     | 5 1/4 | 7        | 2 3/4  | 68.00      |
| 160B24          | 24           | 16.390         | 15.323 | 1 1/2     | 5 1/4 | 7        | 3      | 77.00      |
| 160B25          | 25           | 17.030         | 15.958 | 1 1/2     | 5 1/4 | 7        | 3      | 81.00      |
| 160B26          | 26           | 17.670         | 16.593 | 1 1/2     | 5 1/4 | 7        | 3      | 86.00      |
| 160B27          | 27           | 18.310         | 17.228 | 1 1/2     | 5 1/4 | 7        | 3      | 91.00      |
| 160B28          | 28           | 18.950         | 17.863 | 1 1/2     | 5 1/4 | 7        | 3      | 98.00      |
| 160B30          | 30           | 20.230         | 19.134 | 1 1/2     | 5 1/4 | 7        | 3      | 108.00     |

(H) = With hardened teeth.

Maximum bores shown will accommodate standard keyway and setscrew over keyseat. Slightly larger bores are possible with no keyway, shallow keyway or setscrew at an angle to keyway.

| SINGLE – TYPE A |                 |           |
|-----------------|-----------------|-----------|
| Part no.        | Bore (in) Stock | Weight lb |
| 160A10          | 1 1/2           | 8.00      |
| 160A11          | 1 1/2           | 10.00     |
| 160A12          | 1 1/2           | 12.00     |
| 160A13          | 1 1/2           | 16.00     |
| 160A14          | 1 1/2           | 17.00     |
| 160A15          | 1 1/2           | 21.00     |
| 160A16          | 1 1/2           | 24.00     |
| 160A17          | 1 1/2           | 27.00     |
| 160A18          | 1 1/2           | 30.00     |
| 160A19          | 1 1/2           | 34.00     |
| 160A20          | 1 1/2           | 38.00     |
| 160A21          | 1 1/2           | 42.00     |
| 160A22          | 1 1/2           | 46.00     |
| 160A23          | 1 1/2           | 50.00     |
| 160A24          | 1 1/2           | 56.00     |
| 160A25          | 1 1/2           | 61.00     |
| 160A26          | 1 1/2           | 65.00     |
| 160A27          | 1 1/2           | 71.00     |
| 160A28          | 1 1/2           | 77.00     |
| 160A30          | 1 1/2           | 90.00     |



# SPROCKETS

## WELD-ON SPROCKET

| No. of teeth | ANSI-35<br>Pitch 3/8" | ANSI-40<br>Pitch 1/2" | ANSI-50<br>Pitch 5/8" | ANSI-60<br>Pitch 3/4" | ANSI-80<br>Pitch 1" |
|--------------|-----------------------|-----------------------|-----------------------|-----------------------|---------------------|
| 9            | -----                 | -----                 | -----                 | 60V09                 | 80W09               |
| 10           | -----                 | -----                 | 50V10                 | 60V10                 | 80W10               |
| 11           | -----                 | -----                 | 50V11                 | 60W11                 | 80W11               |
| 12           | -----                 | 40V12                 | 50W12                 | 60W12                 | 80X12               |
| 13           | -----                 | 40V13                 | 50W13                 | 60W13                 | 80X13               |
| 14           | -----                 | 40V14                 | 50W14                 | 60W14                 | 80X14               |
| 15           | 35V15                 | 40V15                 | 50W15                 | 60X15                 | 80X15               |
| 16           | 35V16                 | 40W16                 | 50W16                 | 60X16                 | 80X16               |
| 17           | 35V17                 | 40W17                 | 50X17                 | 60X17                 | 80X17               |
| 18           | 35V18                 | 40W18                 | 50X18                 | 60X18                 | 80X18               |
| 19           | 35V19                 | 40W19                 | 50X19                 | 60X19                 | 80X19               |
| 20           | 35V20                 | 40X20                 | 50X20                 | 60X20                 | 80X20               |
| 21           | 35V21                 | 40X21                 | 50X21                 | 60X21                 | 80X21               |
| 22           | 35W22                 | 40X22                 | 50X22                 | 60X22                 | 80X22               |
| 23           | 35W23                 | 40X23                 | 50X23                 | 60X23                 | 80X23               |
| 24           | 35W24                 | 40X24                 | 50X24                 | 60X24                 | 80X24               |
| 25           | 35W25                 | 40X25                 | 50X25                 | 60X25                 | 80X25               |
| 26           | 35W26                 | 40X26                 | 50X26                 | 60X26                 | 80X26               |
| 27           | 35W27                 | 40X27                 | 50X27                 | 60X27                 | 80X27               |
| 28           | 35W28                 | 40X28                 | 50X28                 | 60X28                 | 80X28               |
| 29           | 35W29                 | 40X29                 | 50X29                 | 60X29                 | 80X29               |
| 30           | 35W30                 | 40X30                 | 50X30                 | 60X30                 | 80X30               |
| 31           | -----                 | -----                 | 50X31                 | 60X31                 | -----               |
| 32           | 35W32                 | 40X32                 | 50X32                 | 60X32                 | 80X32               |
| 33           | -----                 | -----                 | 50X33                 | 60X33                 | 80X33               |
| 34           | -----                 | -----                 | 50X34                 | 60X34                 | 80X34               |
| 35           | 35W35                 | 40X35                 | 50X35                 | 60X35                 | 80X35               |
| 36           | 35W36                 | 40X36                 | 50X36                 | 60X36                 | 80X36               |
| 37           | -----                 | -----                 | 50X37                 | -----                 | -----               |
| 38           | -----                 | 40X38                 | 50X38                 | 60X38                 | -----               |
| 39           | -----                 | -----                 | 50X39                 | 60X39                 | -----               |
| 40           | 35W40                 | 40X40                 | 50X40                 | 60X40                 | 80X40               |
| 42           | -----                 | 40X42                 | 50X42                 | 60X42                 | -----               |
| 43           | -----                 | -----                 | 50X43                 | -----                 | -----               |
| 44           | -----                 | -----                 | 50X44                 | -----                 | -----               |
| 45           | 35W45                 | 40X45                 | 50X45                 | 60X45                 | 80X45               |
| 48           | 35W48                 | 40X48                 | 50X48                 | 60X48                 | 80X48               |
| 50           | -----                 | -----                 | 50X50                 | 60X50                 | -----               |
| 54           | 35W54                 | 40X54                 | 50X54                 | 60X54                 | -----               |
| 60           | 35W60                 | 40X60                 | 50X60                 | 60X60                 | 80Y60               |
| 70           | -----                 | 40X70                 | 50X70                 | -----                 | -----               |
| 72           | 35W72                 | 40X72                 | 50X72                 | 60X72                 | -----               |
| 80           | -----                 | 40X80                 | 50X80                 | 60X80                 | -----               |
| 84           | 35W84                 | 40X84                 | 50X84                 | -----                 | -----               |
| 96           | 35W96                 | 40X96                 | 50X96                 | -----                 | -----               |

(H) = With hardened teeth.

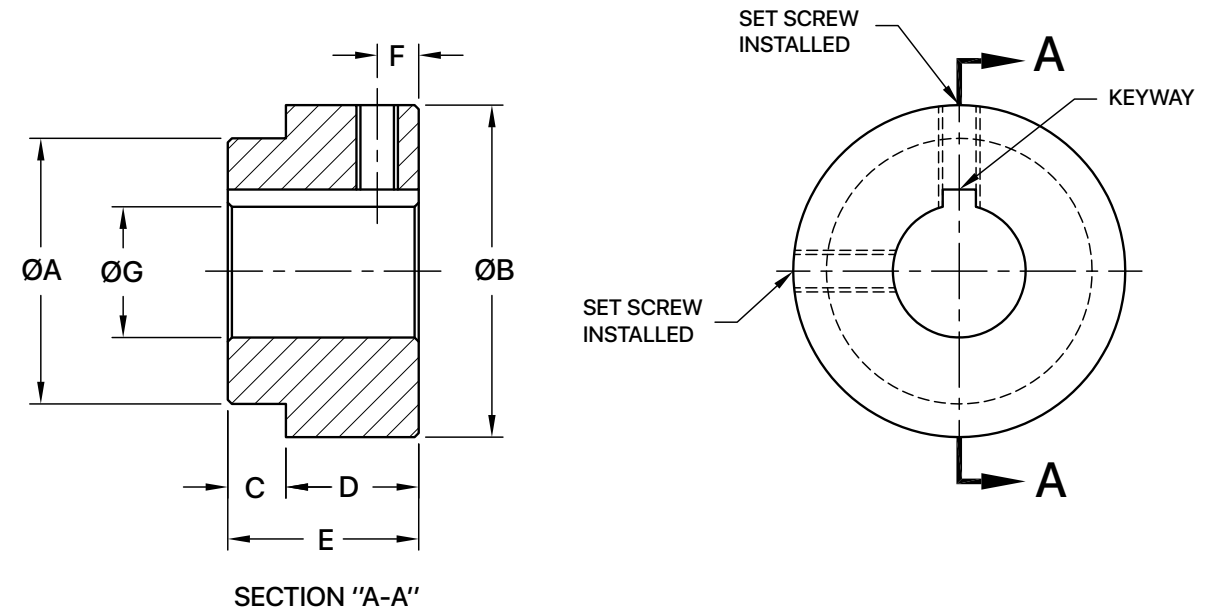
| Bore             |
|------------------|
| in               |
| V Series = 1 1/8 |
| W Series = 1 5/8 |
| X Series = 2     |
| Y Series = 2 3/4 |



# SPROCKETS

## WELD-ON HUBS

| Part no. | Bore range      | Dimensions (in) |         |        |        |        |
|----------|-----------------|-----------------|---------|--------|--------|--------|
|          |                 | A               | B       | C      | D      | E      |
| V-Hub    | 1/2 to 7/8      | 1 1/8           | 1 7/16  | 7/16   | 3/4    | 1 3/16 |
| W-Hub    | 1/2 to 1 1/4    | 1 5/8           | 1 13/16 | 7/16   | 1      | 1 7/16 |
| X-Hub    | 5/8 to 1 1/2    | 2               | 2 1/2   | 7/16   | 1      | 1 7/16 |
| XX-Hub   | 1, 1 1/4, 1 1/2 | 2               | 3       | 7/16   | 1 1/16 | 1 1/2  |
| Y-Hub    | 1 to 2          | 2 3/4           | 3 3/4   | 1 1/16 | 1 3/16 | 1 7/8  |
| YY-Hub   | 2 Plain Bore    | 2 3/4           | 5       | 1 1/16 | 1 7/16 | 2 1/8  |



# CAST SPROCKETS

- Extensive line designed for chains of types : 88, 662, 667, 55, etc.
- With single, double or without hub



## CAST SPROCKETS

### CAST SPROCKETS

| Part no. | No. of teeth | Pitch diameter | Bore (in) | Plate thickness | Hub dia. | Hub LTB | Weight |
|----------|--------------|----------------|-----------|-----------------|----------|---------|--------|
|          |              | in             | Max.      | in              | in       | in      | lb     |
| 55A      | 6            | 3.26           | 1.95      | 0.72            | N/A      | N/A     | 1.5    |
| 55A      | 9            | 4.77           | 3.6       | 0.72            | N/A      | N/A     | 3.5    |
| 55A      | 10           | 5.28           | 4.14      | 0.72            | N/A      | N/A     | 4      |
| 55B or C | 6            | 3.26           | 0.94      | 0.72            | 2        | 2       | 2      |
| 55B or C | 7            | 3.76           | 1.63      | 0.72            | 1.5      | 2       | 3      |
| 55B or C | 8            | 4.26           | 1.68      | 0.72            | 2.5      | 2       | 4      |
| 55B or C | 9            | 4.76           | 2         | 0.72            | 3        | 2       | 5      |
| 55B or C | 10           | 5.26           | 2.19      | 0.72            | 3.5      | 2       | 5      |
| 55B or C | 11           | 5.77           | 2.88      | 0.72            | 4.5      | 3       | 6      |
| 55B or C | 12           | 6.3            | 2.88      | 0.72            | 4.5      | 3       | 10     |
| 55B or C | 13           | 6.8            | 2.88      | 0.72            | 4.5      | 3       | 10     |
| 55B or C | 14           | 7.31           | 2.88      | 0.72            | 4.5      | 3       | 12     |

\*More available on request

\*\* Suitable for combinaison chain C188, conveyor chain 81X, 81XH, 81XHD, pintle chain 88C, 88K

| Part no. | No. of teeth | Pitch diameter | Bore (in) | Plate thickness | Hub dia. | Hub LTB | Weight |
|----------|--------------|----------------|-----------|-----------------|----------|---------|--------|
|          |              | in             | Max.      | in              | in       | in      | lb     |
| 88B or C | 6            | 5.219          | 2         | 7/8             | 3        | 2       | 6.5    |
| 88B or C | 7            | 6.012          | 2.5       | 7/8             | 4        | 2 3/4   | 8      |
| 88B or C | 8            | 6.818          | 2.5       | 7/8             | 4        | 3       | 9.5    |
| 88B or C | 9            | 7.627          | 3         | 7/8             | 5        | 3       | 11     |
| 88B or C | 10           | 8.444          | 3         | 7/8             | 5.5      | 3.5     | 12.5   |
| 88B or C | 11           | 9.261          | 3         | 7/9             | 5.5      | 3.5     | 14     |
| 88B or C | 12           | 10.08          | 3         | 7/8             | 5.5      | 3.5     | 15     |

\*More available on request

\*\* Suitable for combinaison chain C188, conveyor chains 81X, 81XH, 81XHD, pintle chains 88C, 88K

## CAST SPROCKETS

### CAST SPROCKETS

| Part no. | No. of teeth | Pitch diameter | Bore (in) | Plate thickness | Hub dia. | Hub LTB | Weight |
|----------|--------------|----------------|-----------|-----------------|----------|---------|--------|
|          |              | in             | Max.      | in              | in       | in      | lb     |
| 662A6    | 6            | 3.328          | 1         | 13/16           | N/A      | N/A     | 1.5    |
| 662A8    | 8            | 4.348          | 1.688     | 13/16           | N/A      | N/A     | 2.5    |
| 662B6    | 6            | 3.328          | 1 1/4     | 13/16           | 2        | 2 1/16  | 2      |
| 662B7    | 7            | 3.834          | 1 1/4     | 13/16           | 2        | 1 3/4   | 3      |
| 662B8    | 8            | 4.348          | 1 1/4     | 13/16           | 2.5      | 1 5/8   | 5      |
| 662B9    | 9            | 4.864          | 1 7/16    | 13/16           | 2.5      | 1 5/8   | 7      |
| 662C6    | 6            | 3.328          | 1 1/4     | 0.875           | 2        | 2 1/8   | 1.3    |
| 662C8    | 8            | 4.348          | 1 1/4     | 0.855           | 3.237    | 1.6     | 4.43   |
| 662C12   | 12           | 6.428          | 1 1/4     | 0.855           | 2 1/4    | 2       | 7      |

\*More available on request

\*\* Suitable for detachable chain 62, pintle chain 662, 662H

| Part no. | No. of teeth | Pitch diameter | Bore (in) | Plate thickness | Hub dia. | Hub LTB | Weight |
|----------|--------------|----------------|-----------|-----------------|----------|---------|--------|
|          |              | in             | Max.      | in              | in       | in      | lb     |
| 667A8    | 8            | 5.879          | 2 3/4     | 7/8             | N/A      | N/A     | 3      |
| 667B6    | 6            | 4.5            | 1 1/2     | 0.76            | 2 1/2    | 1 1/2   | 3      |
| 667B7    | 7            | 2.27           | 1 1/2     |                 |          |         | 5      |
| 667B8    | 8            | 5.879          | 2         | 0.78            | 3 1/2    | 1 5/8   | 7      |
| 667B10   | 10           | 7.281          | 2         |                 |          |         | 9      |
| 667C     | 6            | 4.5            | 1 1/2     | 1.062           | 2.5      | 2.5     | 9      |
| 667C     | 8            | 5.87           | 2         | 1.062           | 3        | 2.75    | 10     |
| 667C     | 11           | 7.98           | 2         | 1.062           | 4        | 2.75    | 15     |

\*More available on request

\*\* Suitable for detachable chains 67, 67H, 67W, 67XH, pintle chains 667H, 667J, 667K, 667KC, 667X, 667XC





# CAST SPROCKETS

## CAST SPROCKETS

| Part no.                                 | No. of teeth | Pitch diameter | Rough & finish bores   | Plate thickness | Hub dia. | Hub LTB | Weight |
|--|--------------|----------------|------------------------|-----------------|----------|---------|--------|
|  |              | in             | in                     | in              | in       | in      | lb     |
| <b>662 chains, 1.664" pitch</b>          |              |                |                        |                 |          |         |        |
| 662B06-FB                                | 6            | 4.350          | 3/4, 7/8, 1            | 0.80            | 2        | 1 1/2   | 2      |
| <b>667 chains, 2.250" pitch</b>          |              |                |                        |                 |          |         |        |
| 667C06                                   | 6            | 4.500          | 3/4                    | 0.90            | 3        | 2       | 8      |
| 667C08                                   | 8            | 5.880          | 3/4                    | 0.90            | 3        | 2       | 10     |
| 667B06-FB                                | 6            | 4.500          | 1, 1 1/4               | 0.90            | 2 7/8    | 1 3/4   | 7      |
| 667B08-FB                                | 8            | 5.880          | 1 1/4, 1 3/4, 2        | 0.90            | 2 1/2    | 2       | 10     |
| 667C08-FB                                | 8            | 5.880          | 1 1/4                  | 0.90            | 2 1/2    | 3       | ---    |
| 667B09-FB                                | 9            | ---            | 1 1/4, 1 1/2, 1 3/4, 2 | 0.90            | ---      | ---     | ---    |
| <b>662 &amp; 667 c/w oilite bushings</b> |              |                |                        |                 |          |         |        |
| 662B06OIL                                | 6            | 4.350          | 1" c/w oilite bushing  | 0.80            | 2        | 1 1/2   | 2      |
| 667B06OIL                                | 6            | 4.500          | 1" c/w oilite bushing  | 0.90            | 3        | 2       | 7      |
| <b>667 &amp; 88 chain saver</b>          |              |                |                        |                 |          |         |        |
| 667C08-FB                                | 8            | 5.88           | 1 1/4                  | 0.90            | 2 1/2    | 3       | 11     |
| 667B09-FB                                | 9            | ---            | 1 1/4                  | 0.90            | ---      | ---     | ---    |
| 88B08-FB                                 | 8            | 6.82           | 1 1/4, 1 3/4           | 0.90            | 3.5      | 2       | 12     |
| 88C08-FB                                 | 8            | 6.82           | 1 1/4                  | 0.90            | ---      | ---     | ---    |
| <b>667 &amp; 88 idler</b>                |              |                |                        |                 |          |         |        |
| 667-IDLER 6"                             | 0            | 6              | 1" plain bore + ZSS    | 0.90            | ---      | ---     | ---    |
| 88-IDLER 6"                              | 0            | 6              | 1 1/4 plain bore + ZSS | 0.90            | 3        | 1 15/16 | 20     |



# CAST SPROCKETS

## CONVEYOR SPROCKETS 2.609"

| Part no. | No. of teeth | Pitch diameter | Bore (in)                          | Plate thickness | Weight     |    |
|----------|--------------|----------------|------------------------------------|-----------------|------------|----|
|          |              | in             | Stock                              | in              | lb         |    |
| 88A06    | 6            | 5.220          | 2.753"<br>Bore to fit the<br>Y-hub | 0.862"          | 5          |    |
| 88A07    | 7            | 6.010          |                                    |                 | 6          |    |
| 88A08    | 8            | 6.820          |                                    |                 | 8          |    |
| 88A09    | 9            | 7.630          |                                    |                 | 11         |    |
| 88A10    | 10           | 8.440          |                                    |                 | 12         |    |
| 88A11    | 11           | 9.260          |                                    |                 | 15         |    |
| 88A12    | 12           | 10.080         |                                    |                 | 17         |    |
| 88A14    | 14           | 11.720         |                                    |                 | 21         |    |
| 88A15    | 15           | 12.550         |                                    |                 | 26         |    |
| 88A16    | 16           | 13.370         |                                    |                 | 31         |    |
| 88A17    | 17           | 14.200         |                                    |                 | 36         |    |
| 88A18    | 18           | 15.000         |                                    |                 | 40         |    |
| 88HQ10   | 10           | 8.440          |                                    |                 | To fit HQ1 | 11 |
| 88HQ12   | 12           | 10.080         |                                    |                 |            | 15 |
| 88HQ14   | 14           | 11.720         | To fit HR1                         | 19              |            |    |
| 88HR12   | 12           | 10.080         |                                    | 14              |            |    |
| 88HR14   | 14           | 11.720         | 18                                 |                 |            |    |

\*Please note sprockets above fit the following chains: (H78, H78RT, WR78, H74, 81X, C188, SS188, 88K)



# IDLERS

- 8 to 18 teeth
- 1/2" to 1" bore
- Outside diameter of up to 6.5"



# IDLERS

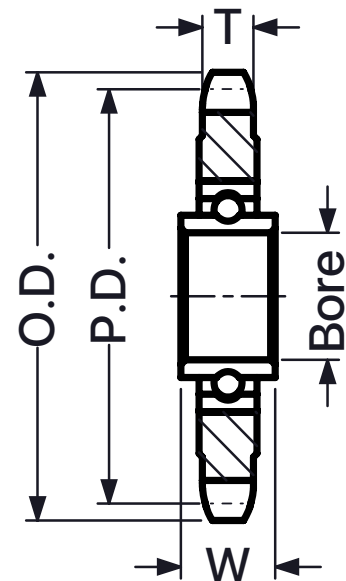
## SPROCKET IDLERS

| Part no.  | Canimex part no. | Outside diameter | Chain size | No. of teeth | Bore  | Width (W) | Nominal width (T) | Approx. weight |
|-----------|------------------|------------------|------------|--------------|-------|-----------|-------------------|----------------|
|           |                  | in               |            |              | in*   | in        | in                | lb             |
| SI35C18H  | 217873           | 2.350            | RC35       | 18           | 1/2   | 0.435     | 0.168             | 0.260          |
| SI40A11   | 131176           | 2.000            | RC40       | 11           | 10 mm | 0.353     | 0.284             | 0.150          |
| SI40B15   | 106514           | 2.650            |            | 15           | 12 mm | 0.598     |                   | 0.404          |
| SI40C17H  | 142767           | 2.980            |            | 17           | 5/8   | 0.720     |                   | 0.542          |
| SI40C18H  | 130906           | 3.140            | RC50       | 18           | 1/2   | 0.445     | 0.343             | 0.488          |
| SI50C12H  | 231448           | 2.710            |            | 12           | 5/8   | 0.433     |                   | 0.350          |
| SI50C14H  | 191897           | 3.110            |            | 14           | 1/2   | 0.438     |                   | 0.530          |
| SI50C14H  | 233683           | 3.110            | RC60       | 14           | 1/2   | 0.732     | 0.469             | 0.530          |
| SI50C15H  | 142764           | 3.110            |            | 15           | 5/8   | 0.708     |                   | 0.674          |
| SI50C17H  | 106526           | 3.720            |            | 17           | 5/8   | 0.472     |                   | 0.780          |
| SI60C12H  | 233684           | 3.250            | RC80       | 12           | 1/2   | 0.733     | 0.575             | 0.790          |
| SI60A12H  | 231447           | 3.250            |            | 12           | 5/8   | 0.459     |                   | 0.640          |
| SI60C13H  | 166269           | 3.490            |            | 13           | 5/8   | 0.719     |                   | 0.912          |
| SI60C13H  | 166264           | 3.980            | RC100      | 15           | 5/8   | 0.719     | 0.692             | 1.240          |
| SI60C15H  | 131783           | 3.980            |            | 15           | 5/8   | 0.475     |                   | 1.100          |
| SI80A11H  | 191902           | 4.006            |            | 11           | 3/4   | 0.596     |                   | 1.400          |
| SI80C11H  | 233863           | 4.006            | RC120      | 11           | 3/4   | 0.938     | 0.924             | 1.350          |
| SI80A11H  | 195774           | 4.006            |            | 11           | 1     | 0.593     |                   | 1.100          |
| SI80C12H  | 166274           | 4.330            |            | 12           | 5/8   | 0.984     |                   | 1.660          |
| SI80A15H  | 213049           | 5.300            | RC120      | 15           | 3/4   | 0.591     | 0.924             | 2.050          |
| SI100A9H  | 191906           | 4.180            |            | 9            | 3/4   | 0.692     |                   | 1.400          |
| SI100A12H | 191908           | 5.420            | RC120      | 12           | 3/4   | 0.692     | 0.924             | 2.800          |
| SI120A12  | 140598           | 6.500            |            | 12           | 1     | 0.924     |                   | 5.460          |

\*Unless otherwise specified

(H) = With hardened teeth.

Several other dimensions also available



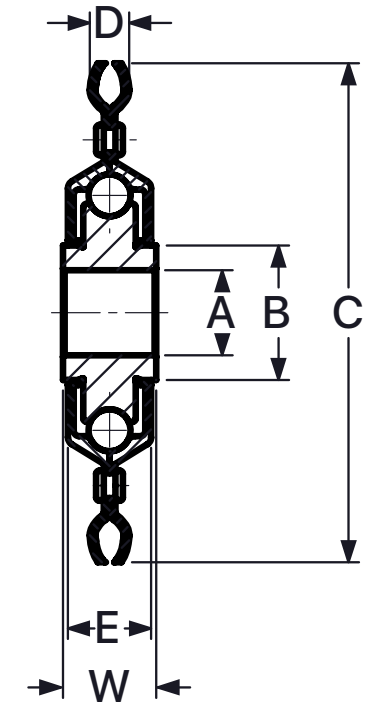
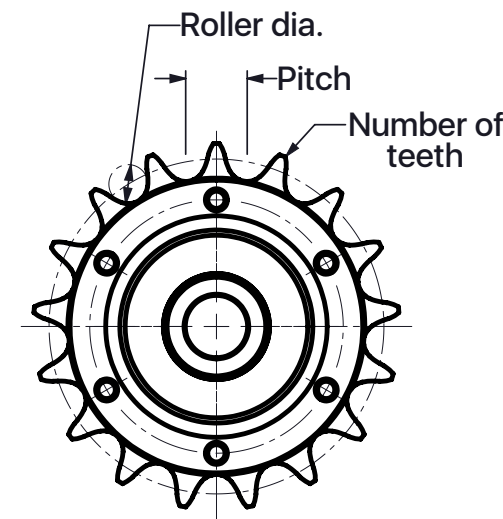
# IDLERS

## AETNA IDLERS

| Part no. | Canimex part no. | Outside diameter | Chain size | No. of teeth | Bore | Width (W) | Nominal width (T) | Approx. weight | Aetna no. |
|----------|------------------|------------------|------------|--------------|------|-----------|-------------------|----------------|-----------|
|          |                  | in               |            |              | in   | in        | in                | lb             |           |
| SI40B18  | 106516           | 3.140            | RC40       | 18           | 1/2  | 0.750     | 0.284             | 0.440          | AG2318A   |
| SI40B18  | 106517           | 3.140            |            | 18           | 5/8  |           |                   | 0.404          | AG2318S   |
| SI50B17  | 106524           | 3.920            | RC50       | 17           | 1/2  | 0.930     | 0.343             | 0.726          | AG2416A   |
| SI50B17  | 106525           | 3.920            |            | 17           | 5/8  |           |                   | 0.700          | AG2416    |
| SI60B15  | 106536           | 3.980            | RC60       | 15           | 5/8  | 0.900     | 0.459             | 0.770          | AG2417    |
| SI55B8   | 106528           | 5.765            | RC55       | 8            | 5/8  |           |                   | 1.230          | AG2558S   |

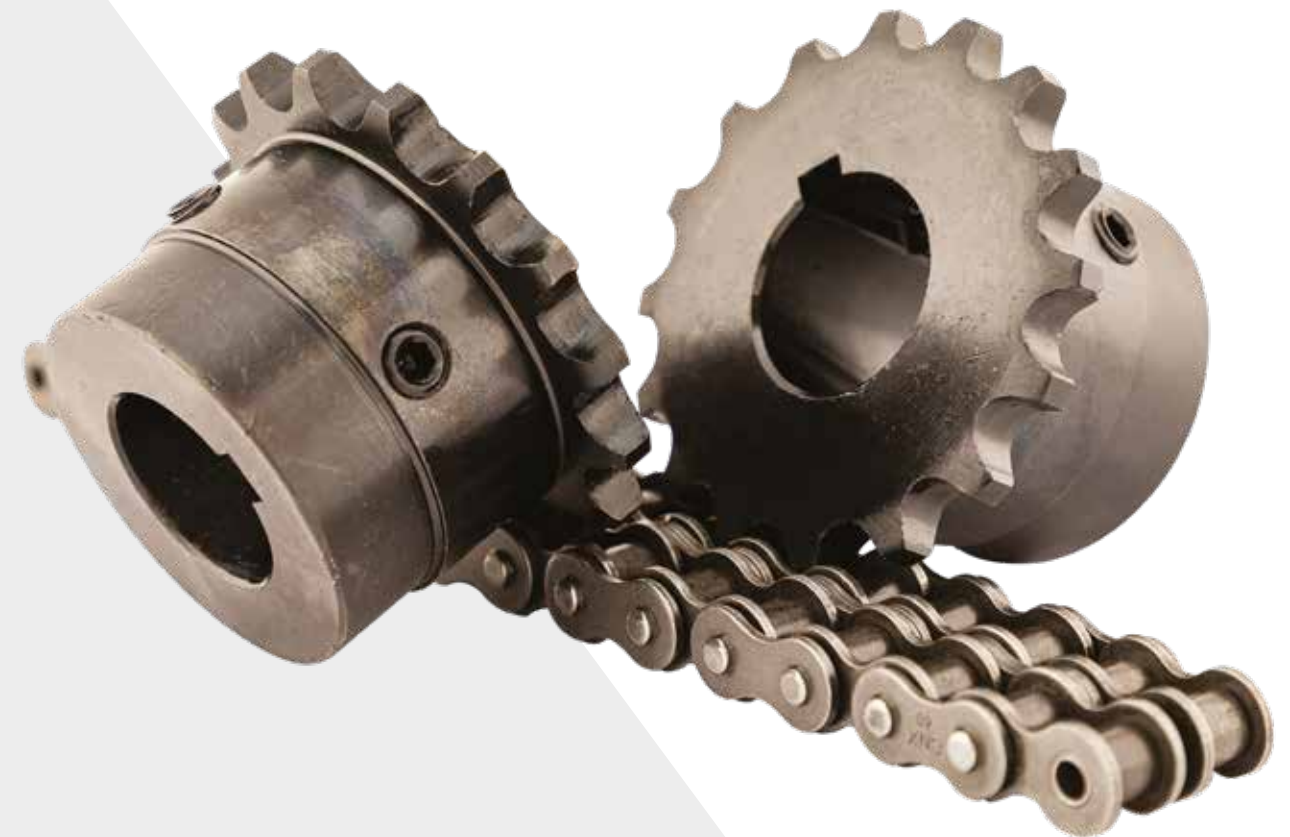
(H) = With hardened teeth.

Several other dimensions also available



# CHAIN COUPLINGS

- Compact
- Versatile
- 16 mm to 140 mm bore





# CHAIN COUPLINGS

## CHAIN COUPLINGS

| Coupling dimensions (mm) |           |      |       |      |      |      |     |      |                    |                     |      |
|--------------------------|-----------|------|-------|------|------|------|-----|------|--------------------|---------------------|------|
| Type                     | Bore (mm) |      | L     | I    | S    | D    | O   | C    | M<br>+0.1<br>-0.00 | N<br>+0.25<br>-0.00 | Wgt. |
|                          | Min.      | Max. |       |      |      |      |     |      |                    |                     |      |
| 3012                     | 12        | 16   | 54.8  | 29.5 | 5.2  | -    | 45  | 10.1 | -                  | -                   | 0.3  |
| 4012                     | 12        | 22   | 79.4  | 36   | 7.4  | 35   | 62  | 14.4 | 32                 | 23                  | 0.8  |
| 4014                     | 14        | 28   | 79.4  | 36   | 7.4  | -    | 65  | 14.4 | -                  | -                   | 1.1  |
| 4016                     | 14        | 32   | 87.4  | 40   | 7.4  | 51   | 77  | 14.4 | 48                 | 25                  | 1.4  |
| 5014                     | 15        | 35   | 99.7  | 45   | 9.7  | -    | 86  | 18.1 | -                  | -                   | 2.2  |
| 5016                     | 16        | 40   | 99.7  | 45   | 9.7  | 63   | 93  | 18.1 | 60                 | 29                  | 2.7  |
| 5018                     | 16        | 45   | 99.7  | 45   | 9.7  | 73.5 | 106 | 18.1 | 70                 | 28                  | 3.8  |
| 6018                     | 20        | 56   | 123.5 | 55   | 11.5 | 85   | 127 | 22.8 | 85                 | 23                  | 6.2  |
| 6020                     | 20        | 60   | 123.5 | 56   | 11.5 | -    | 139 | 22.8 | -                  | -                   | 7.8  |
| 6022                     | 20        | 71   | 123.5 | 56   | 11.5 | -    | 151 | 22.8 | -                  | -                   | 10.4 |
| 8018                     | 20        | 80   | 141.2 | 63   | 15.2 | 117  | 169 | 29.3 | 110                | 48                  | 12.7 |
| 8020                     | 20        | 90   | 145.2 | 65   | 15.2 | -    | 185 | 29.3 | -                  | -                   | 16   |
| 8022                     | 20        | 100  | 157.2 | 71   | 15.2 | -    | 202 | 29.3 | -                  | -                   | 20.2 |
| 10020                    | 25        | 110  | 178.8 | 80   | 18.1 | -    | 233 | 35.8 | -                  | -                   | 33   |
| 12018                    | 35        | 125  | 202.7 | 90   | 22.7 | -    | 256 | 45.4 | -                  | -                   | 47   |
| 12022                    | 35        | 140  | 222.7 | 100  | 22.7 | -    | 304 | 45.4 | -                  | -                   | 72   |

Chain couplings are not sold as a kit.

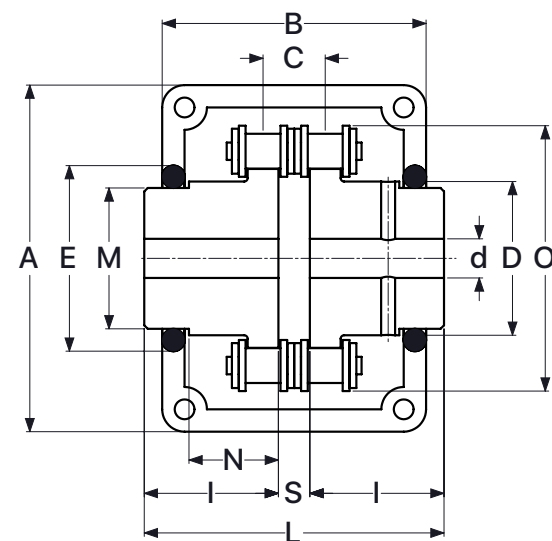
Sprockets and chain must be bought separately

| Casing dimensions (mm) |               |               |                       |                                      |    |
|------------------------|---------------|---------------|-----------------------|--------------------------------------|----|
| Casing no.             | A<br>+1<br>-0 | B<br>+1<br>-0 | O-ring<br>dia. ± 0.25 | Sprocket head<br>cap screw<br>4 pcs* | E  |
| 3012                   | 69            | 63            | -                     | -                                    | -  |
| 4012                   | 77            | 72            | -                     | -                                    | -  |
| 4014                   | 84            | 75            | -                     | -                                    | -  |
| 4016                   | 92            | 72            | 5                     | M5x0.8x12                            | 48 |
| 5014                   | 101           | 85            | -                     | -                                    | -  |
| 5016                   | 110           | 87            | 5.5                   | M6x1.0x15                            | 70 |
| 5018                   | 122           | 85            | -                     | -                                    | -  |
| 6018                   | 142           | 105           | 5.5                   | -                                    | 96 |
| 6020                   | 158           | 105           | -                     | -                                    | -  |
| 6022                   | 168           | 117           | -                     | -                                    | -  |
| 8018                   | 190           | 129           | -                     | -                                    | -  |
| 8020                   | 210           | 137           | -                     | -                                    | -  |
| 8022                   | 226           | 137           | -                     | -                                    | -  |
| 10020                  | 281           | 153           | -                     | -                                    | -  |
| 12018                  | 307           | 181           | -                     | -                                    | -  |
| 12022                  | 357           | 218           | -                     | -                                    | -  |

N/A, to be established when ordering so that covers and couplings fit together.

\*Full length of thread, 2 gaskets of 1.5 mm approx. included

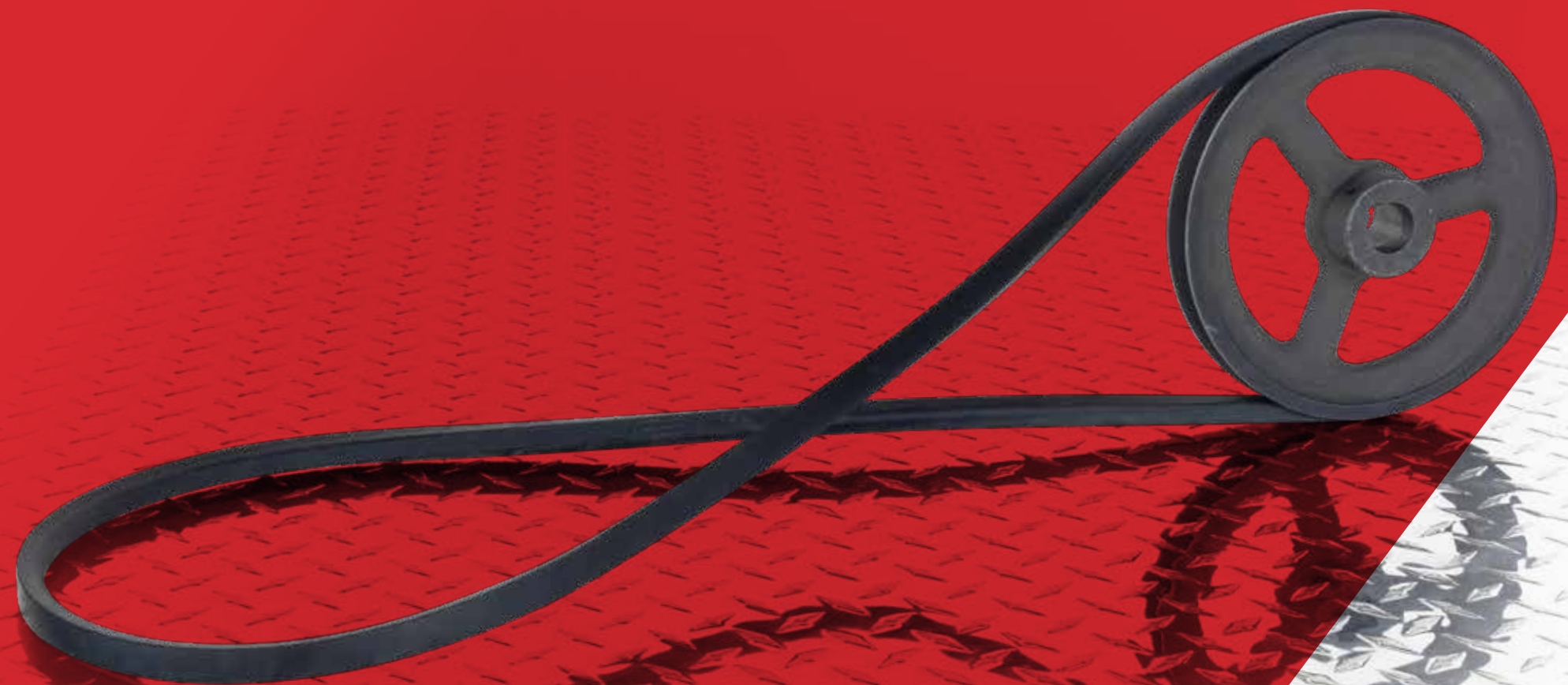
| Finished bore | Bore sizes available (in) |     |     |   |       |       |       |        |       |       |       |       |         |   |
|---------------|---------------------------|-----|-----|---|-------|-------|-------|--------|-------|-------|-------|-------|---------|---|
|               | 5/8                       | 3/4 | 7/8 | 1 | 1 1/8 | 1 1/4 | 1 3/8 | 1 7/16 | 1 1/2 | 1 5/8 | 1 3/4 | 1 7/8 | 1 15/16 | 2 |
| 4012          | X                         | X   | -   | - | -     | -     | -     | -      | -     | -     | -     | -     | -       | - |
| 4016          | X                         | X   | X   | X | X     | X     | X     | -      | -     | -     | -     | -     | -       | - |
| 5016          | X                         | X   | X   | X | X     | X     | X     | -      | X     | X     | -     | -     | -       | - |
| 6018          | -                         | X   | X   | X | X     | X     | X     | X      | X     | X     | X     | X     | X       | - |
| 8018          | -                         | -   | -   | - | -     | -     | -     | -      | X     | X     | X     | X     | -       | X |



# BELTS

---

- Manufactured for excellent tensile strength
- Belt fibre properties assure solid creep strength (e.g. low rigidity)
- Good power/footprint ratio
- Satisfactory lifespan (good fatigue and wear resistance)



# TABLE OF CONTENTS

---

## BELT CHARACTERISTICS

|                               |     |
|-------------------------------|-----|
| V-belts .....                 | 282 |
| V-ribbed (cogged) belts ..... | 282 |
| Timing belts .....            | 282 |

## BELT TYPES

|                                   |     |
|-----------------------------------|-----|
| Super HC series .....             | 286 |
| Gates power series .....          | 286 |
| Light-duty series .....           | 286 |
| Double V-belt cross section ..... | 287 |
| Micro-V belts .....               | 287 |
| Polyflex JB belts .....           | 287 |
| Belts .....                       | 288 |
| Timing belts .....                | 288 |
| Metric timing belts .....         | 288 |

## STANDARD BELTS / PULLEYS

|             |     |
|-------------|-----|
| Gates ..... | 292 |
| PIX .....   | 293 |

## BELT CHARACTERISTICS

- Elasticity assures absorption of shocks and vibrations
- Helps make transmissions silent
- Increases service life





## BELT CHARACTERISTICS

### V-BELTS



- High resistance to traction
- Good resistance to flowing
- Good power vs available room ratio
- Decreased tension, good lateral stability
- Works through centrifugal force
- Grooves assure resistance/adherence
- Lower speeds due to heavier weight (5-10 m/s)
- Good resistance to fatigue and wear (satisfactory service life)

### V-RIBBED (COGGED) BELTS



- Combination of flat and V-belt advantages
- Increased contact surface compared to flatbelts, leading to decreased radial tension
- Better performance compared to V-belts by eliminating sticking grooves

### TIMING BELTS



- Same characteristics as gears for a steady speed ratio
- Speeds up to 80 m/s
- Powers up to 200 kW



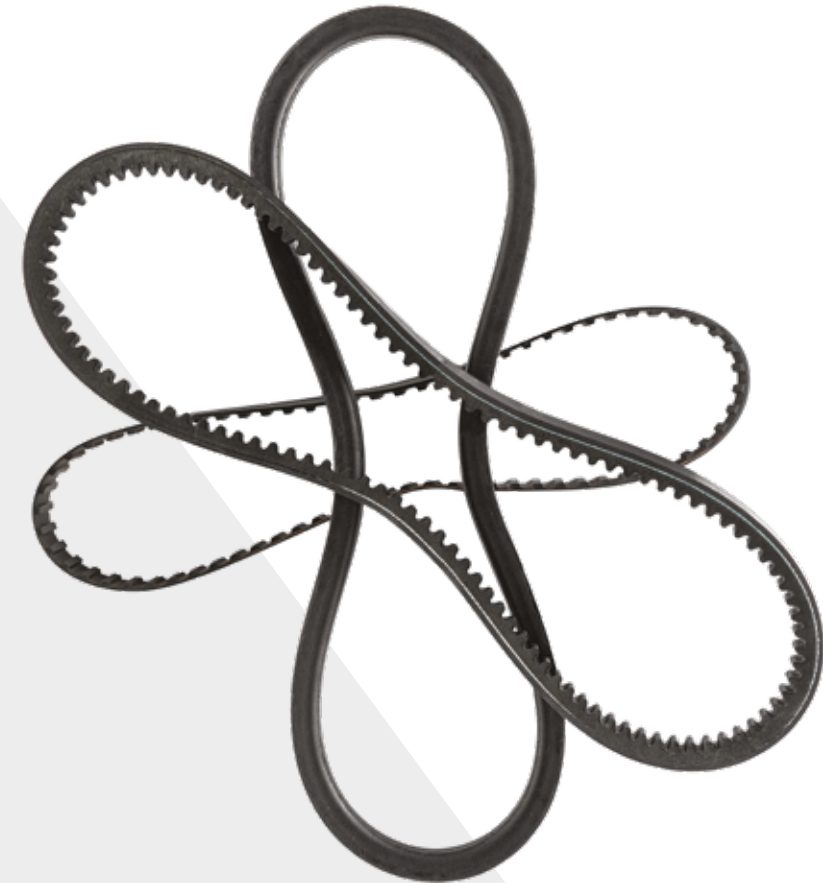
CONTRIBUTING TO PEOPLE'S QUALITY OF LIFE, EVERY DAY.



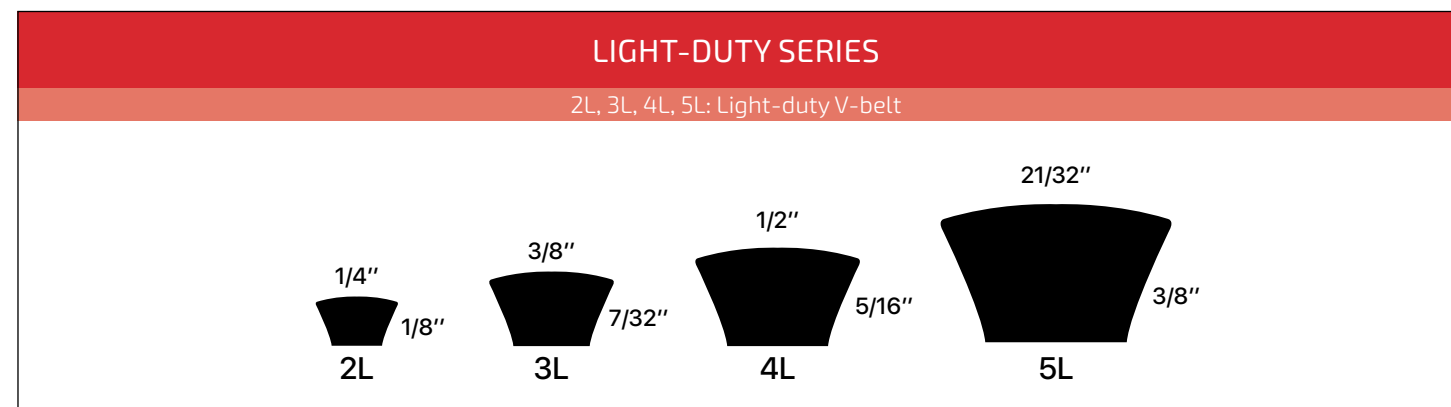
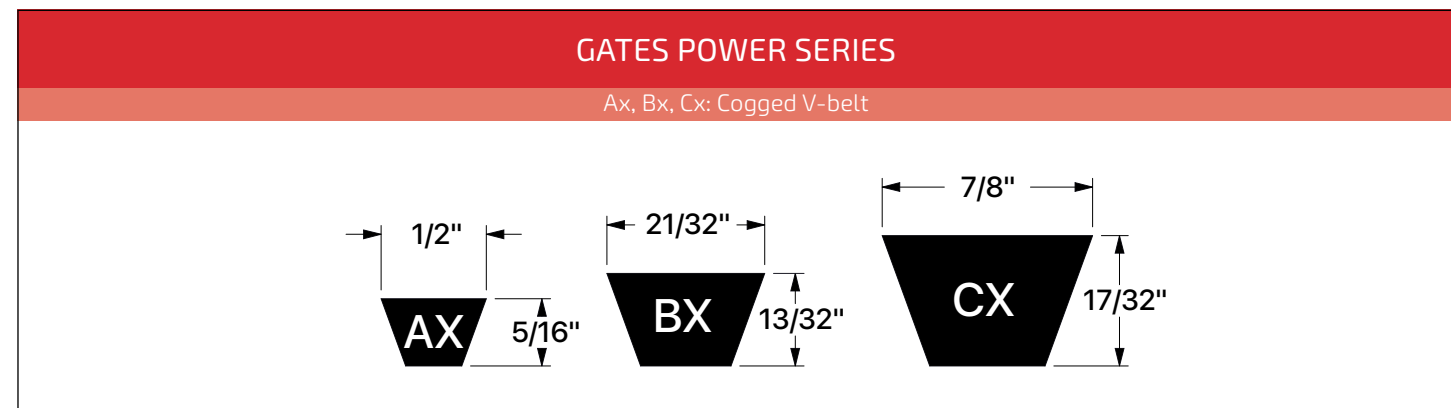
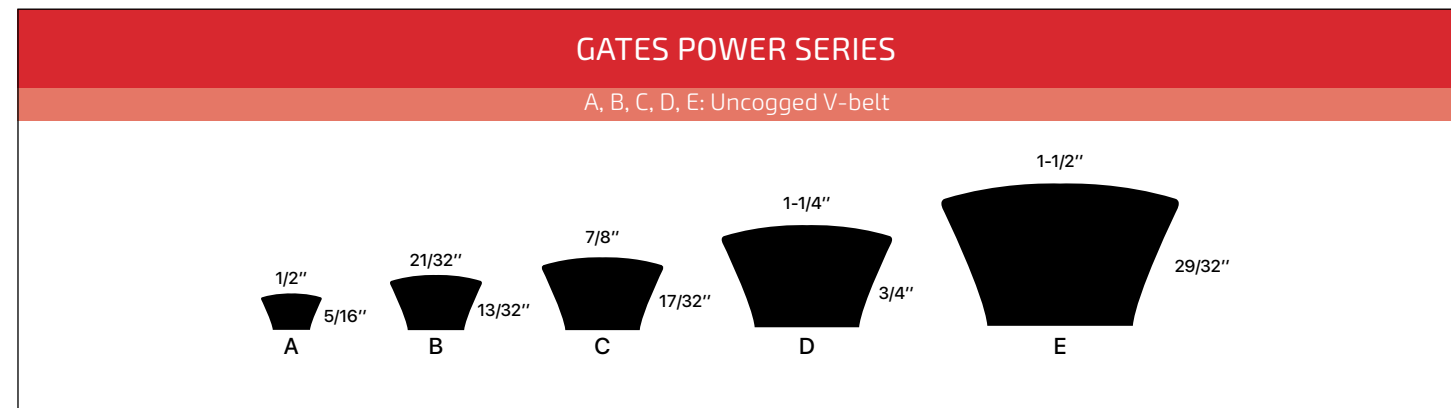
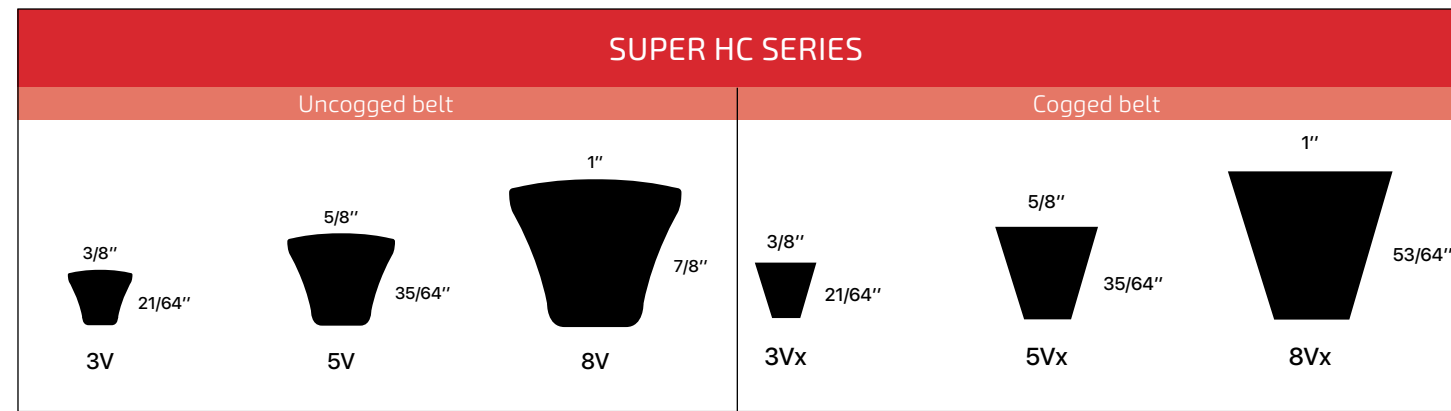


## BELT TYPES

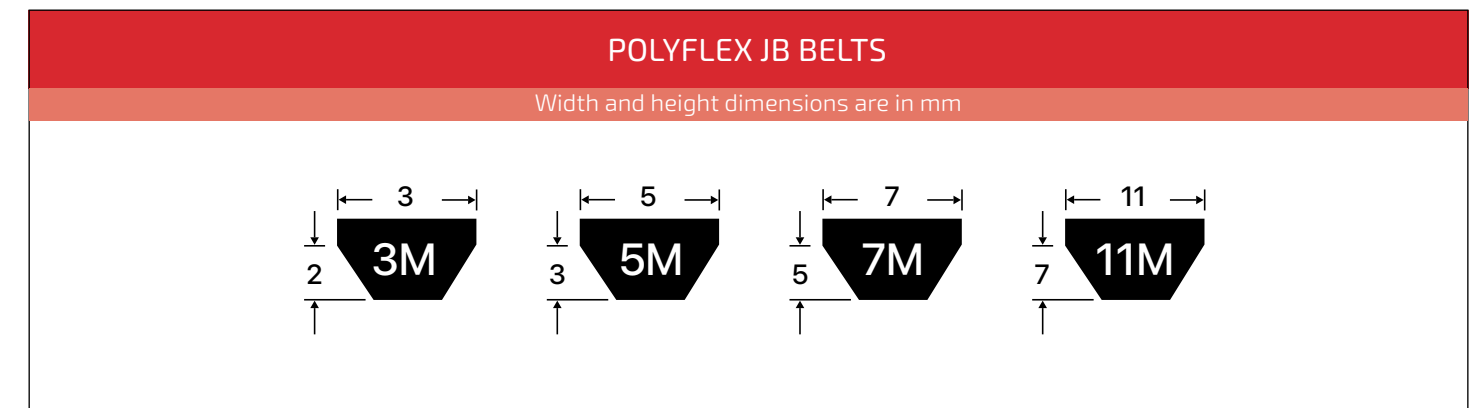
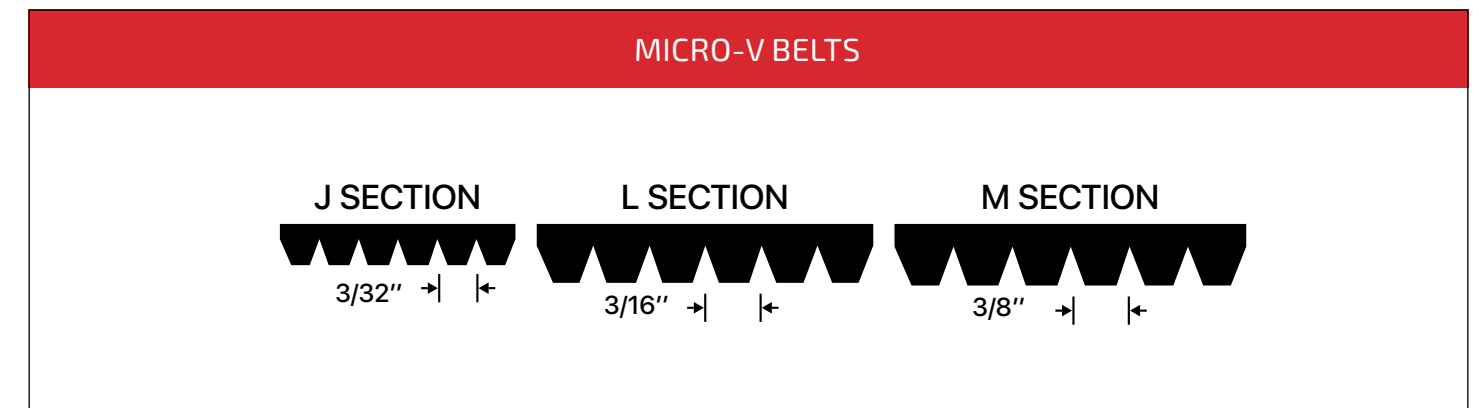
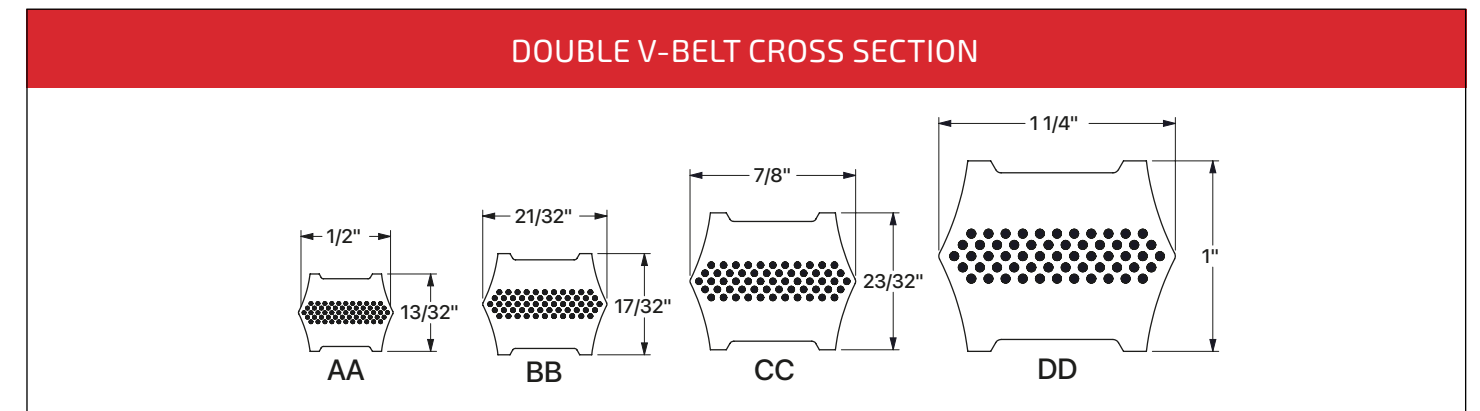
- Oil resistance
- High efficiency
- No maintenance required
- Longer service life
- Excellent performance



## BELT TYPES

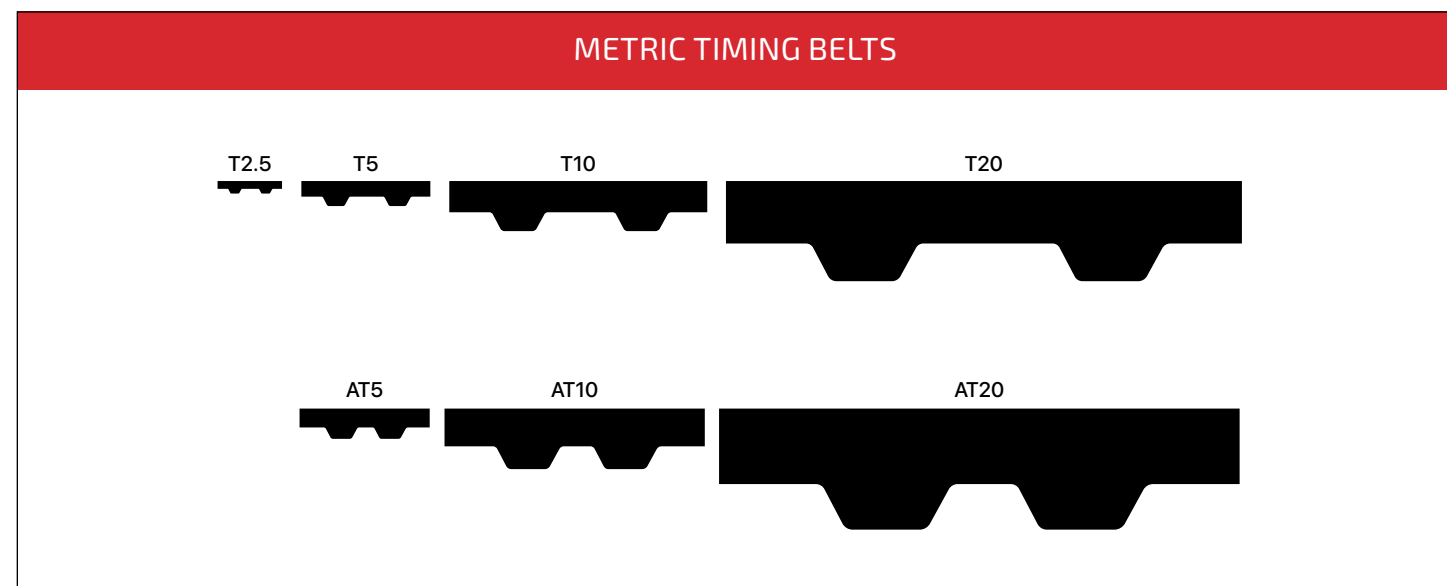
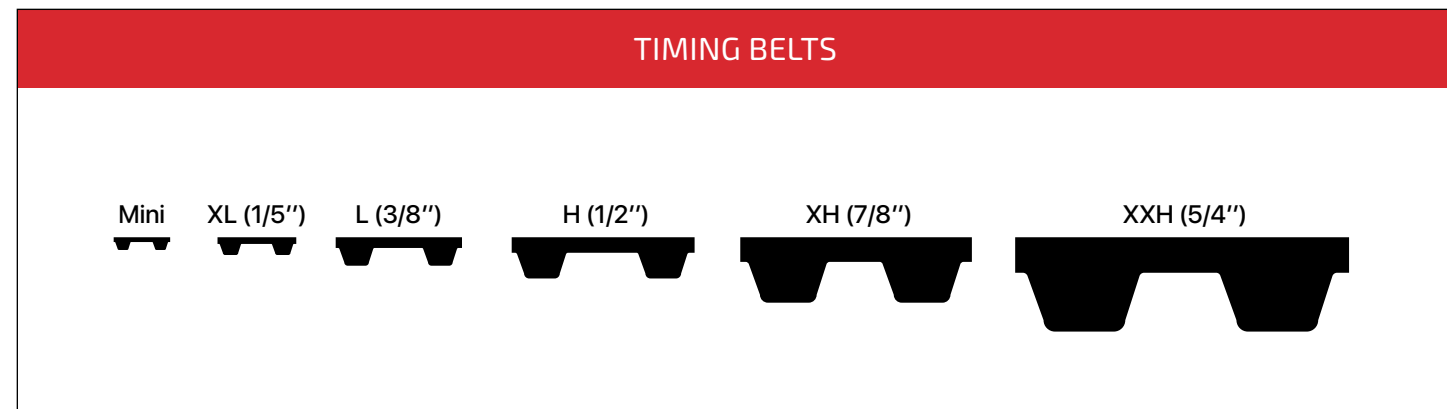
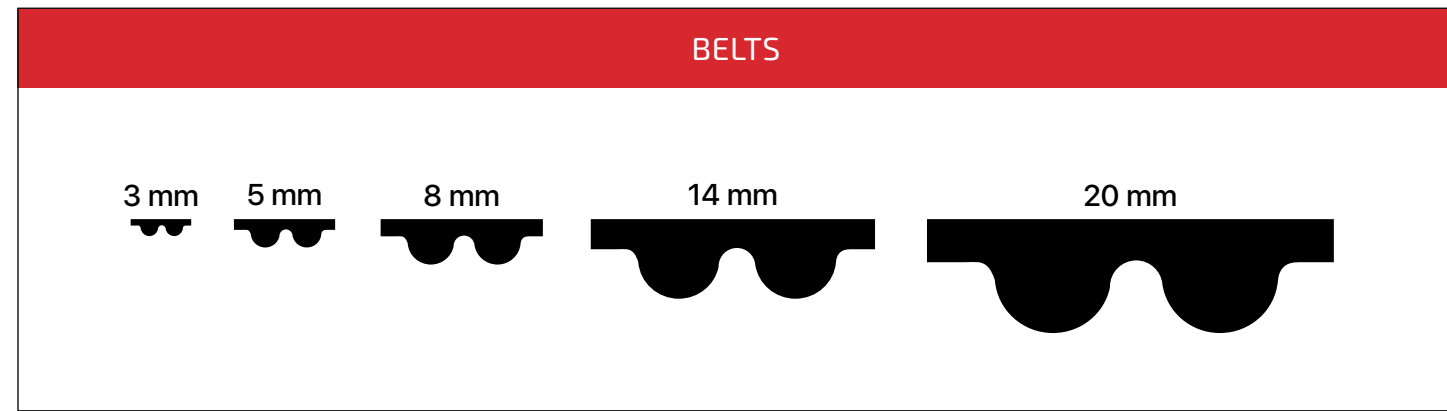


## BELT TYPES



# BELT TYPES

## STANDARD PITCHES



# STANDARD BELTS / PULLEYS

- Standard pitches, HTB belts
- Non-standard pitch timing belt
- Metric timing belts





# STANDARD BELTS / PULLEYS

GATES



| Belt type                     | Minimum recommended diameter (in) | Belt pitch                      | Recommended minimum number of teeth |
|-------------------------------|-----------------------------------|---------------------------------|-------------------------------------|
| Traditional V-belt            |                                   | PowerGrip (PIX X'act CT)        |                                     |
| AX                            | 2.20                              | MXL                             | 12                                  |
| A                             | 3.00                              | XL                              | 12                                  |
| BX                            | 4.00                              | L                               | 12                                  |
| B                             | 5.40                              | H                               | 14                                  |
| CX                            | 6.80                              | XH                              | 18                                  |
| C                             | 9.00                              | XXH                             | 18                                  |
| D                             | 13.00                             | PowerGrip HTD (PIX X'act HTD)   |                                     |
| E                             | 21.00                             | 3M                              | 12                                  |
| Narrow V-belts                |                                   | 5M                              | 14                                  |
| 3VX                           | 2.20                              | 8M                              | 22                                  |
| 3V                            | 2.65                              | 14M                             | 28                                  |
| 5VX                           | 4.40                              | 20M                             | 34                                  |
| 5V                            | 7.10                              | PowerGrip GT 2 (PIX TorquePlus) |                                     |
| 8V                            | 12.50                             | 2M                              | 12                                  |
| Light-duty V-belts            |                                   | 3M                              | 16                                  |
| 2L                            | 0.8                               | 5M                              | 18                                  |
| 3L                            | 1.5                               | 8M                              | 22                                  |
| 4L                            | 2.5                               | 14M                             | 28                                  |
| 5L                            | 3.5                               | Poly Chain GT Carbon™           |                                     |
| Micro-V belts (PIX X'ceed-XC) |                                   | 8M                              | 22                                  |
| J                             | 0.8                               | 14M                             | 28                                  |
| L                             | 3.00                              | Syncho-Power polyurethane       |                                     |
| M                             | 7.00                              | MXL                             | 10                                  |
| Polyflex JB belts             |                                   | XL                              | 10                                  |
| 3M                            | 0.67                              | L                               | 10                                  |
| 5M                            | 1.04                              | H                               | 14                                  |
| 7M                            | 1.67                              | T2.5                            | 12                                  |
| 11M                           | 2.64                              | T5                              | 10                                  |
|                               |                                   | T10                             | 16                                  |
|                               |                                   | T20                             | 15                                  |
|                               |                                   | AT5                             | 12                                  |
|                               |                                   | AT10                            | 18                                  |
|                               |                                   | AT20                            | 18                                  |
|                               |                                   | 5mm HTD                         | 10                                  |
|                               |                                   | 8mm HTD                         | 16                                  |
|                               |                                   | 14mm HTD                        | 28                                  |

Minimum recommended pulley diameter according to the selected belt.

# STANDARD BELTS / PULLEYS

PIX



| Belt Type                     | Minimum recommended diameter (mm) |
|-------------------------------|-----------------------------------|
| Traditional V-belt            |                                   |
| AX                            | 63 (2.48 in)                      |
| A                             | 71 (2.79 in)                      |
| BX                            | 90 (3.54 in)                      |
| B                             | 112 (4.40 in)                     |
| CX                            | 140 (5.51 in)                     |
| C                             | 180 (7.08 in)                     |
| D                             | 355 (13.97 in)                    |
| E                             | 500 (19.68 in)                    |
| Narrow V-belts                |                                   |
| 3VX                           | 56 (2.20 in)                      |
| 3V                            | 63 (2.48 in)                      |
| 5VX                           | 112 (4.40 in)                     |
| 5V                            | 140 (5.51 in)                     |
| 8V                            | 335 (13.18 in)                    |
| Light-duty V-belts            |                                   |
| 2L                            | Not in range                      |
| 3L                            | 45 (1.77 in)                      |
| 4L                            | 65 (2.55 in)                      |
| 5L                            | 91 (3.58 in)                      |
| Micro-V belts (PIX X'ceed-XC) |                                   |
| J                             | 20 (0.78 in)                      |
| L                             | 75 (2.95 in)                      |
| M                             | 180 (7.08 in)                     |

Minimum recommended pulley diameter according to the selected belt.

Product available on volume order.

Other Pix belt lines available on request.

# PULLEYS

---

- High performance
- Precision quality
- 1 to 8 grooves
- Outside diameter of up to 25.35"
- Interchangeable with MA type



# TABLE OF CONTENTS

## CAST IRON PULLEYS

|                   |     |
|-------------------|-----|
| AK series .....   | 298 |
| 2AK series .....  | 300 |
| BK series .....   | 302 |
| 2BK series .....  | 304 |
| 3BK serie .....   | 306 |
| AKH series .....  | 308 |
| 2AKH series ..... | 310 |
| BKH series .....  | 312 |
| 2BKH series ..... | 314 |
| 3BKH series ..... | 316 |

## A/B COMBINATION PULLEYS

|                 |     |
|-----------------|-----|
| 1 groove .....  | 321 |
| 2 grooves ..... | 322 |
| 3 grooves ..... | 323 |
| 4 grooves ..... | 324 |
| 5 grooves ..... | 325 |
| 6 grooves ..... | 326 |
| 7 grooves ..... | 327 |
| 8 grooves ..... | 328 |

## TIMING PULLEYS

|                      |     |
|----------------------|-----|
| Timing pulleys ..... | 332 |
| QD bushing .....     | 336 |

## QD BUSHING PROPER TORQUE WRENCH

|                       |     |
|-----------------------|-----|
| QD weld-on hubs ..... | 340 |
|-----------------------|-----|

## CAST IRON PULLEYS

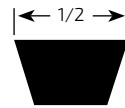
- Rustproof
- Corrosion resistant
- Lightweight
- 1 to 3 grooves
- Outside diameter of up to 18.75"



# CAST IRON PULLEYS

## AK SERIES

Single groove pulleys for "4L" or "A" belts. "3L" belts may be used with these pulleys as indicated below.



| Part no. | Diameters (in) |       |            | Type | Dimensions (in) |        |         |      | Weight<br>lb | Interchange* |
|----------|----------------|-------|------------|------|-----------------|--------|---------|------|--------------|--------------|
|          | O.D.           | D.D.  | Pitch "3L" |      | F               | L      | P       | C    |              |              |
| AK17 Δ   | 1.75           | 1.5   | 1.16       | 1    | 21/32           | 15/16  | 7/16    | 5/32 | 0.2          | MA18         |
| AK20 Δ   | 2              | 1.8   | 1.46       | 1    | 21/32           | 15/16  | 7/16    | 5/32 | 0.3          | MA20         |
| AK21 Δ   | 2.1            | 1.9   | 1.56       | 1    | 21/32           | 15/16  | 7/16    | 5/32 | 0.4          | MA21         |
| AK22 Δ   | 2.2            | 2     | 1.66       | 1    | 21/32           | 15/16  | 7/16    | 5/32 | 0.5          | MA22         |
| AK23 Δ   | 2.3            | 2.1   | 1.76       | 1    | 21/32           | 15/16  | 7/16    | 5/32 | 0.5          | MA23         |
| AK25 Δ   | 2.5            | 2.3   | 1.96       | 2    | 21/32           | 15/16  | 7/16    | 5/32 | 0.5          | MA25         |
| AK26 Δ   | 2.6            | 2.4   | 2.06       | 2    | 21/32           | 15/16  | 7/16    | 5/32 | 0.5          | MA26         |
| AK27 Δ   | 2.7            | 2.5   | 2.16       | 2    | 21/32           | 15/16  | 7/16    | 5/32 | 0.6          | MA27         |
| AK28 Δ   | 2.8            | 2.6   | 2.26       | 2    | 21/32           | 15/16  | 7/16    | 5/32 | 0.7          | MA28         |
| AK30 Δ   | 3.05           | 2.8   | 2.46       | 2    | 21/32           | 15/16  | 7/16    | 5/32 | 0.7          | MA30         |
| AK32 Δ   | 3.25           | 3     | 2.66       | 2    | 21/32           | 15/16  | 7/16    | 5/32 | 0.7          | MA33         |
| AK34 Δ   | 3.45           | 3.2   | 2.86       | 2    | 21/32           | 15/16  | 7/16    | 5/32 | 0.9          | MA35         |
| AK39     | 3.75           | 3.5   | 3.16       | 2    | 3/4             | 15/32  | 15/32   | 1/16 | 1.4          | MA38         |
| AK41     | 3.95           | 3.7   | 3.36       | 2    | 3/4             | 15/32  | 15/32   | 1/16 | 1.5          | MA40         |
| AK44     | 4.25           | 4     | 3.66       | 3    | 3/4             | 15/32  | 15/32   | 1/16 | 1.5          | MA43         |
| AK46     | 4.45           | 4.2   | 3.86       | 3    | 3/4             | 15/32  | 15/32   | 1/16 | 1.5          | MA45         |
| AK49     | 4.75           | 4.5   | 4.16       | 3    | 3/4             | 15/32  | 15/32   | 1/16 | 1.7          | MA48         |
| AK51     | 4.95           | 4.7   | 4.36       | 3    | 3/4             | 15/32  | 15/32   | 1/16 | 1.7          | MA50         |
| AK54     | 5.25           | 5     | 4.66       | 3    | 3/4             | 15/32  | 15/32   | 1/16 | 1.8          | MA53         |
| AK56     | 5.45           | 5.2   | 4.86       | 3    | 3/4             | 15/32  | 15/32   | 1/16 | 1.9          | MA55         |
| AK59     | 5.75           | 5.5   | 5.16       | 3    | 3/4             | 15/32  | 15/32   | 1/16 | 2            | MA58         |
| AK61     | 5.95           | 5.7   | 5.36       | 3    | 3/4             | 15/32  | 15/32   | 1/16 | 2.1          | MA60         |
| AK64     | 6.25           | 6     | 5.66       | 3    | 3/4             | 15/32  | 15/32   | 1/16 | 2.2          | MA63         |
| AK66     | 6.45           | 6.2   | 5.86       | 3    | 3/4             | 15/32  | 15/32   | 1/16 | 2.3          | MA65         |
| AK69     | 6.75           | 6.5   | 6.16       | 3    | 3/4             | 115/32 | 23/32   | 0    | 3.5          | MA68         |
| AK71     | 6.95           | 6.7   | 6.36       | 3    | 3/4             | 115/32 | 23/32   | 0    | 3.8          | MA70         |
| AK74 Δ   | 7.25           | 7     | 6.66       | 3    | 3/4             | 115/32 | 23/32 ◊ | 0 ◊  | 3.4          | MA73         |
| AK79 Δ   | 7.75           | 7.5   | 7.16       | 3    | 3/4             | 115/32 | 23/32   | 0    | 4            | MA78         |
| AK84 Δ   | 8.25           | 8     | 7.66       | 3    | 3/4             | 115/32 | 23/32 ◊ | 0 ◊  | 3.8          | MA83         |
| AK89 Δ   | 8.75           | 8.5   | 8.16       | 3    | 3/4             | 115/32 | 23/32   | 0    | 4.3          | MA88         |
| AK94 Δ   | 9.25           | 9     | 8.66       | 3    | 3/4             | 115/32 | 23/32 ◊ | 0 ◊  | 4.5          | MA93         |
| AK99 Δ   | 9.75           | 9.5   | 9.16       | 3    | 3/4             | 115/32 | 23/32   | 0    | 5.3          | MA98         |
| AK104 Δ  | 10.25          | 10    | 9.66       | 3    | 3/4             | 115/32 | 23/32 ◊ | 0 ◊  | 5.1          | MA103        |
| AK109 Δ  | 10.75          | 10.5  | 10.16      | 3    | 3/4             | 115/32 | 23/32   | 0    | 5.8          | MA108        |
| AK114 Δ  | 11.25          | 11    | 10.66      | 3    | 3/4             | 115/32 | 23/32 ◊ | 0 ◊  | 5.6          | MA113        |
| -----    | 12             | 11.75 | 11.410     | 3    | 3/4             | 115/32 | 23/32 ◊ | 0    | 7.5          | MA120        |
| AK124 Δ  | 12.25          | 12    | 11.66      | 3    | 3/4             | 115/32 | 23/32 ◊ | 0 ◊  | 6.5          | MA123        |
| AK134    | 13.25          | 13    | 12.66      | 3    | 3/4             | 115/32 | 23/32   | 0    | 7.5          | MA133        |
| AK144    | 14.25          | 14    | 13.66      | 3    | 3/4             | 115/32 | 23/32   | 0    | 8.5          | MA143        |
| AK154    | 15.25          | 15    | 14.66      | 3    | 3/4             | 115/32 | 23/32   | 0    | 9.8          | MA153        |
| AK184    | 18.25          | 18    | 17.66      | 3    | 3/4             | 115/32 | 23/32   | 0    | 12.1         | MA183        |

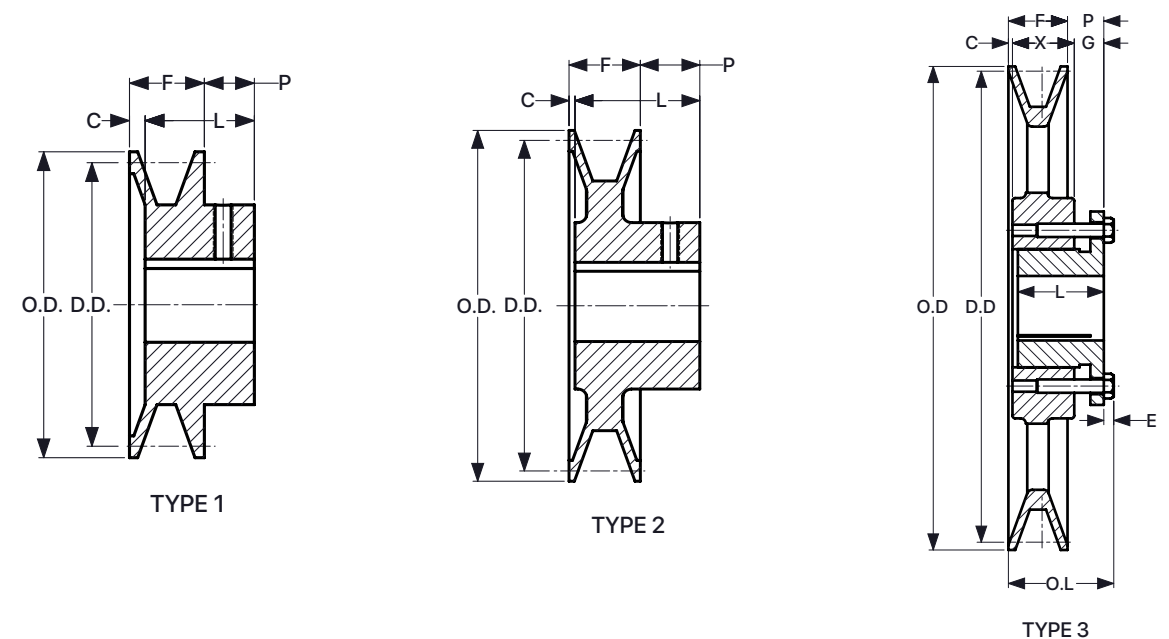
Δ Do not use with bores of 1" and under with gripnotch belt ratings.

◊ P= 25/32 & C= 1/16 for bore of 1" and smaller

\*The interchange numbers match the interchange for the datum diameter. The other physical measurements can differ between the models AK and MA.

| Standard keyseat |              |
|------------------|--------------|
| Bore range (in)  | Keyseat (in) |
| 1/2              | None         |
| 5/8 - 7/8        | 3/16 x 3/32  |
| 15/16 - 1 1/4    | 1/4 x 1/8    |
| 1 7/16           | 3/8 x 3/16   |

See Bushings section for set screw specifications.

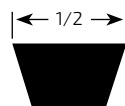




# CAST IRON PULLEYS

## 2AK SERIES

Double groove pulleys for "4L" or "A" belts. "3L" belts may be used as indicated below.



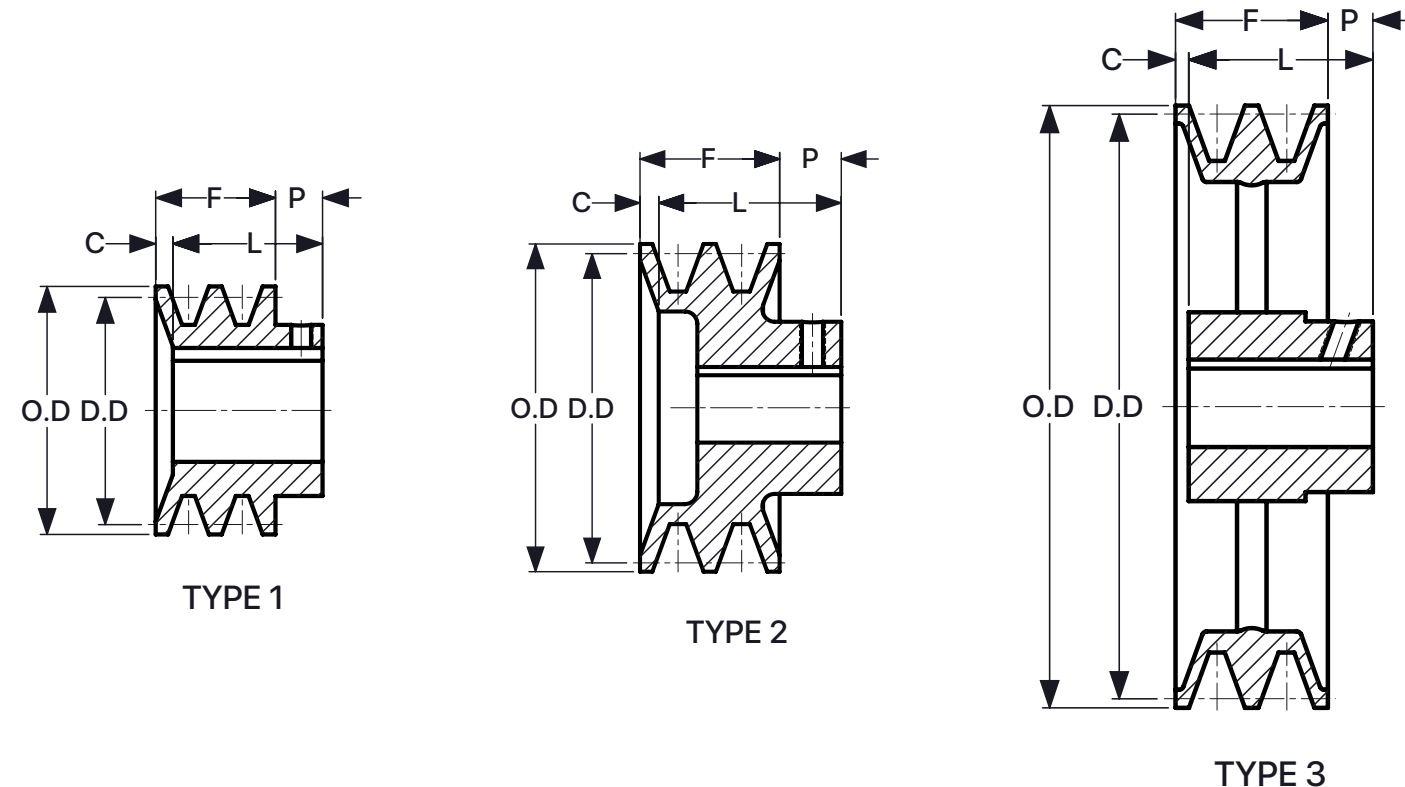
| Part no. | Diameters (in) |      |            | Type | Dimensions (in) |         |       |      | Weight<br>lb | Interchange* |
|----------|----------------|------|------------|------|-----------------|---------|-------|------|--------------|--------------|
|          | O.D.           | D.D. | Pitch "3L" |      | F               | L       | P     | C    |              |              |
| 2AK20    | 2              | 1.8  | 1.46       | 1    | 13/8            | 1 21/32 | 15/32 | 3/16 | 0.8          | 2MA20        |
| 2AK21    | 2.15           | 1.9  | 1.56       | 1    | 13/8            | 1 21/32 | 15/32 | 3/16 | 0.9          | 2MA22        |
| 2AK22    | 2.25           | 2    | 1.66       | 1    | 13/8            | 1 21/32 | 15/32 | 3/16 | 0.9          | 2MA23        |
| 2AK23    | 2.35           | 2.1  | 1.76       | 1    | 13/8            | 1 21/32 | 15/32 | 3/16 | 1.1          | 2MA24        |
| 2AK25    | 2.55           | 2.3  | 1.96       | 1    | 13/8            | 1 21/32 | 15/32 | 3/16 | 1.3          | 2MA25        |
| 2AK26    | 2.65           | 2.4  | 2.06       | 1    | 13/8            | 1 21/32 | 15/32 | 3/16 | 1.4          | 2MA27        |
| 2AK27    | 2.75           | 2.5  | 2.16       | 1    | 13/8            | 1 21/32 | 15/32 | 3/16 | 1.5          | 2MA28        |
| 2AK28    | 2.85           | 2.6  | 2.26       | 1    | 13/8            | 1 21/32 | 15/32 | 3/16 | 1.8          | 2MA29        |
| 2AK30    | 3.05           | 2.8  | 2.46       | 1    | 13/8            | 1 21/32 | 15/32 | 3/16 | 1.8          | 2MA30        |
| 2AK32    | 3.25           | 3    | 2.66       | 1    | 13/8            | 1 21/32 | 15/32 | 3/16 | 2.1          | 2MA33        |
| 2AK34    | 3.45           | 3.2  | 2.86       | 1    | 13/8            | 1 21/32 | 15/32 | 3/16 | 2.3          | 2MA35        |
| 2AK39    | 3.75           | 3.5  | 3.16       | 2    | 13/8            | 1 11/32 | 15/32 | 1/2  | 2.6          | 2MA38        |
| 2AK41    | 3.95           | 3.7  | 3.36       | 2    | 13/8            | 1 11/32 | 15/32 | 1/2  | 2.9          | 2MA40        |
| 2AK44    | 4.25           | 4    | 3.66       | 2    | 13/8            | 1 11/32 | 15/32 | 1/2  | 3            | 2MA43        |
| 2AK46    | 4.45           | 4.2  | 3.86       | 2    | 13/8            | 1 11/32 | 15/32 | 1/2  | 3.1          | 2MA45        |
| 2AK49    | 4.75           | 4.5  | 4.16       | 2    | 13/8            | 1 11/32 | 15/32 | 1/2  | 3.6          | 2MA48        |
| 2AK51    | 4.95           | 4.7  | 4.36       | 2    | 13/8            | 1 11/32 | 15/32 | 1/2  | 3.8          | 2MA50        |
| 2AK54    | 5.25           | 5    | 4.66       | 3    | 13/8            | 1 11/32 | 15/32 | 1/2  | 3.3          | 2MA53        |
| 2AK56    | 5.45           | 5.2  | 4.86       | 3    | 13/8            | 1 11/32 | 15/32 | 1/2  | 3.4          | 2MA55        |
| 2AK59    | 5.75           | 5.5  | 5.16       | 3    | 13/8            | 1 11/32 | 15/32 | 1/2  | 3.5          | 2MA58        |
| 2AK61    | 5.95           | 5.7  | 5.36       | 3    | 13/8            | 1 11/32 | 15/32 | 1/2  | 3.6          | 2MA60        |
| 2AK64    | 6.25           | 6    | 5.66       | 3    | 13/8            | 1 19/32 | 11/32 | 1/8  | 4.8          | 2MA63        |
| 2AK74    | 7.25           | 7    | 6.66       | 3    | 13/8            | 1 19/32 | 11/32 | 1/8  | 5.6          | 2MA73        |
| 2AK84    | 8.25           | 8    | 7.66       | 3    | 13/8            | 1 19/32 | 11/32 | 1/8  | 6.4          | 2MA83        |
| 2AK94    | 9.25           | 9    | 8.66       | 3    | 13/8            | 1 19/32 | 11/32 | 1/8  | 7.3          | 2MA93        |
| 2AK104   | 10.25          | 10   | 9.66       | 3    | 13/8            | 1 19/32 | 11/32 | 1/8  | 8.1          | 2MA103       |
| 2AK114   | 11.25          | 11   | 10.66      | 3    | 13/8            | 1 19/32 | 11/32 | 1/8  | 9            | 2MA113       |
| 2AK124   | 12.25          | 12   | 11.66      | 3    | 13/8            | 1 19/32 | 11/32 | 1/8  | 9.8          | 2MA123       |
| 2AK134   | 13.25          | 13   | 12.66      | 3    | 13/8            | 1 19/32 | 11/32 | 1/8  | 12.3         | 2MA133       |
| 2AK144   | 14.25          | 14   | 13.66      | 3    | 13/8            | 1 19/32 | 11/32 | 1/8  | 13.9         | 2MA143       |
| 2AK154   | 15.25          | 15   | 14.66      | 3    | 13/8            | 1 19/32 | 11/32 | 1/8  | 14.3         | 2MA153       |
| 2AK184   | 18.25          | 18   | 17.66      | 3    | 13/8            | 1 19/32 | 11/32 | 1/8  | 17.4         | 2MA183       |

H Type bushing required with all these pulleys (see Bushings section for specifications)

\*The interchange numbers match the interchange for the datum diameter.  
The other physical measurements can differ between the models AK and MA.

| Standard keyseat |              |
|------------------|--------------|
| Bore range (in)  | Keyseat (in) |
| 1/2              | None         |
| 5/8 - 7/8        | 3/16 x 3/32  |
| 15/16 - 1 1/4    | 1/4 x 1/8    |
| 1 7/16           | 3/8 x 3/16   |

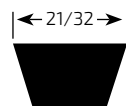
See Bushings section for set screw specifications.



# CAST IRON PULLEYS

## BK SERIES

Single groove pulleys for "4L" or "A" belts and "5L" or "B" belts.



| Part no. | Diameters (in) |       |            | Type | Dimensions (in) |       |       |        | Weight<br>lb | Interchange* |
|----------|----------------|-------|------------|------|-----------------|-------|-------|--------|--------------|--------------|
|          | O.D.           | D.D.  | Pitch "3L" |      | F               | L     | P     | C      |              |              |
| BK25 Δ   | 2.50           | 1.90  | 2.30       | 1    | 13/16           | 11/16 | 13/32 | 5/32   | 0.5          | MB25         |
| BK26 Δ   | 2.60           | 2.00  | 2.40       | 1    | 13/16           | 11/16 | 13/32 | 5/32   | 0.6          | MB26         |
| BK27 Δ   | 2.70           | 2.10  | 2.50       | 2    | 13/16           | 11/16 | 13/32 | 5/32   | 0.6          | MB28         |
| BK28 Δ   | 2.95           | 2.20  | 2.60       | 2    | 13/16           | 11/16 | 13/32 | 5/32   | 0.8          | MB30         |
| BK30 Δ   | 3.15           | 2.40  | 2.80       | 2    | 13/16           | 11/16 | 13/32 | 5/32   | 0.8          | MB31         |
| BK32 Δ   | 3.35           | 2.60  | 3.00       | 2    | 13/16           | 11/16 | 13/32 | 5/32   | 0.8          | MB34         |
| BK34     | 3.55           | 2.80  | 3.20       | 2    | 7/8             | 15/32 | 13/32 | 1/8    | 1.3          | MB35         |
| BK36     | 3.75           | 3.00  | 3.40       | 2    | 7/8             | 15/32 | 13/32 | 1/8    | 1.5          | MB38         |
| BK40     | 3.95           | 3.20  | 3.60       | 2    | 7/8             | 15/32 | 13/32 | 1/8    | 1.5          | MB40         |
| BK45     | 4.25           | 3.50  | 3.90       | 2    | 7/8             | 15/32 | 13/32 | 1/8    | 1.8          | MB43         |
| BK47     | 4.45           | 3.70  | 4.10       | 2    | 7/8             | 15/32 | 13/32 | 1/8    | 1.9          | MB45         |
| BK50     | 4.75           | 4.00  | 4.40       | 3    | 7/8             | 15/32 | 13/32 | 1/8    | 2.0          | MB48         |
| BK52     | 4.95           | 4.20  | 4.60       | 3    | 7/8             | 15/32 | 13/32 | 1/8    | 2.0          | MB50         |
| BK55     | 5.25           | 4.50  | 4.90       | 3    | 7/8             | 15/32 | 13/32 | 1/8    | 2.2          | MB53         |
| BK57     | 5.45           | 4.70  | 5.10       | 3    | 7/8             | 15/32 | 13/32 | 1/8    | 2.3          | MB55         |
| BK60     | 5.75           | 5.00  | 5.40       | 3    | 7/8             | 15/32 | 13/32 | 1/8    | 2.3          | MB58         |
| BK62     | 5.95           | 5.20  | 5.60       | 3    | 7/8             | 15/32 | 13/32 | 1/8    | 2.4          | MB60         |
| BK65     | 6.25           | 5.50  | 5.90       | 3    | 7/8             | 15/32 | 13/32 | 1/8    | 2.7          | MB63         |
| BK67     | 6.45           | 5.70  | 6.10       | 3    | 7/8             | 15/32 | 13/32 | 1/8    | 2.8          | MB65         |
| BK70     | 6.75           | 6.00  | 6.40       | 3    | 7/8             | 15/32 | 21/32 | 1/16 ◇ | 3.3          | MB68         |
| BK72     | 6.95           | 6.20  | 6.60       | 3    | 7/8             | 15/32 | 21/32 | 1/16   | 3.9          | MB70         |
| BK75     | 7.25           | 6.50  | 6.90       | 3    | 7/8             | 15/32 | 21/32 | 1/16   | 3.9          | MB73         |
| BK77     | 7.45           | 6.70  | 7.10       | 3    | 7/8             | 15/32 | 21/32 | 1/16   | 4.1          | MB75         |
| BK80     | 7.75           | 7.00  | 7.40       | 3    | 7/8             | 15/32 | 21/32 | 1/16   | 4.4          | MB78         |
| BK85     | 8.25           | 7.50  | 7.90       | 3    | 7/8             | 15/32 | 21/32 | 1/16   | 5.0          | MB83         |
| BK90     | 8.75           | 8.00  | 8.40       | 3    | 7/8             | 15/32 | 21/32 | 1/16   | 5.0          | MB88         |
| BK95     | 9.25           | 8.50  | 8.90       | 3    | 7/8             | 15/32 | 21/32 | 1/16   | 5.4          | MB93         |
| BK100    | 9.75           | 9.00  | 9.40       | 3    | 7/8             | 15/32 | 21/32 | 1/16   | 5.6          | MB98         |
| BK105    | 10.25          | 9.50  | 9.90       | 3    | 7/8             | 15/32 | 21/32 | 1/16   | 5.8          | MB103        |
| BK110    | 10.75          | 10.00 | 10.40      | 3    | 7/8             | 15/32 | 21/32 | 1/16   | 6.4          | MB108        |
| BK115    | 11.25          | 10.50 | 10.90      | 3    | 7/8             | 15/32 | 21/32 | 1/16   | 6.9          | MB113        |
| BK120    | 11.75          | 11.00 | 11.40      | 3    | 7/8             | 15/32 | 21/32 | 1/16   | 7.4          | MB118        |
| BK130    | 12.75          | 12.00 | 12.40      | 3    | 7/8             | 15/32 | 21/32 | 1/16   | 8.4          | MB128        |
| BK140    | 13.75          | 13.00 | 13.40      | 3    | 7/8             | 15/32 | 21/32 | 1/16   | 9.4          | MB138        |
| BK160    | 15.75          | 15.00 | 15.40      | 3    | 7/8             | 15/32 | 21/32 | 1/16   | 11.4         | MB158        |
| BK190    | 18.75          | 18.00 | 18.40      | 3    | 7/8             | 15/32 | 21/32 | 1/16   | 13.4         | MB188        |

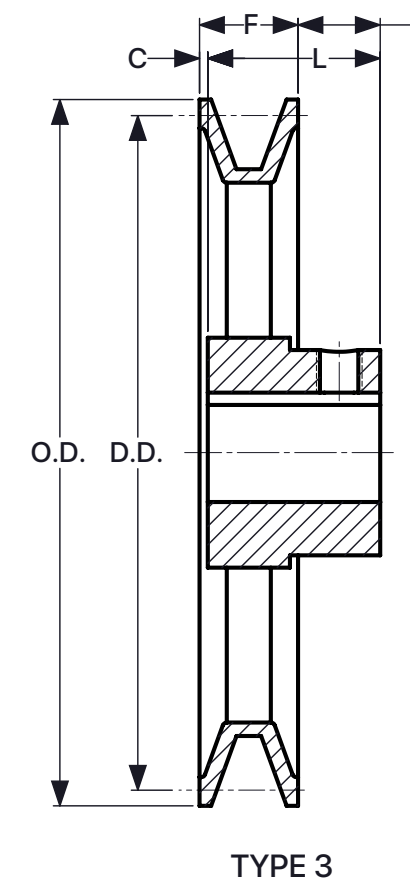
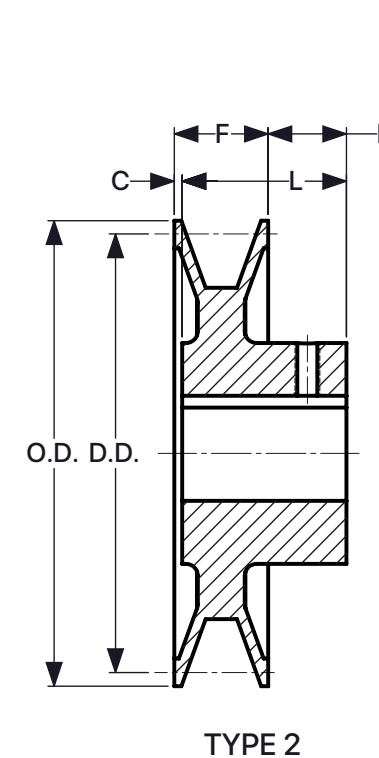
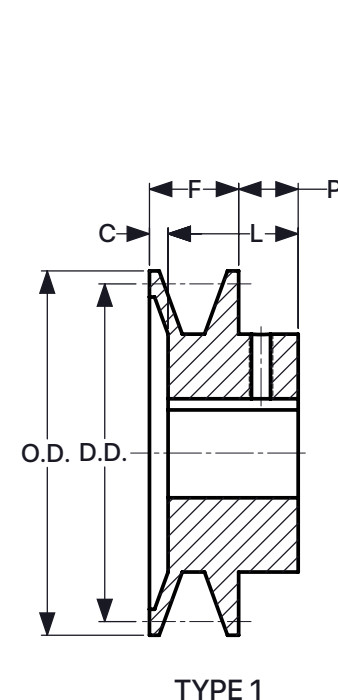
Δ Do not use with bores of 1" and under with gripnotch belt ratings.

◇ P= 25/32 & C= 1/16 for bore of 1" and smaller

\*The interchange numbers match the interchange for the datum diameter.  
The other physical measurements can differ between the models BK and MB.

| Standard keyseat |              |
|------------------|--------------|
| Bore range (in)  | Keyseat (in) |
| 1/2              | None         |
| 5/8 - 7/8        | 3/16 x 3/32  |
| 15/16 - 1 1/4    | 1/4 x 1/8    |
| 1 7/16           | 3/8 x 3/16   |

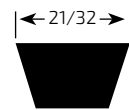
See Bushings section for set screw specifications.



# CAST IRON PULLEYS

## 2BK SERIES

Single groove pulleys for "4L" or "A" belts and "5L" or "B" belts

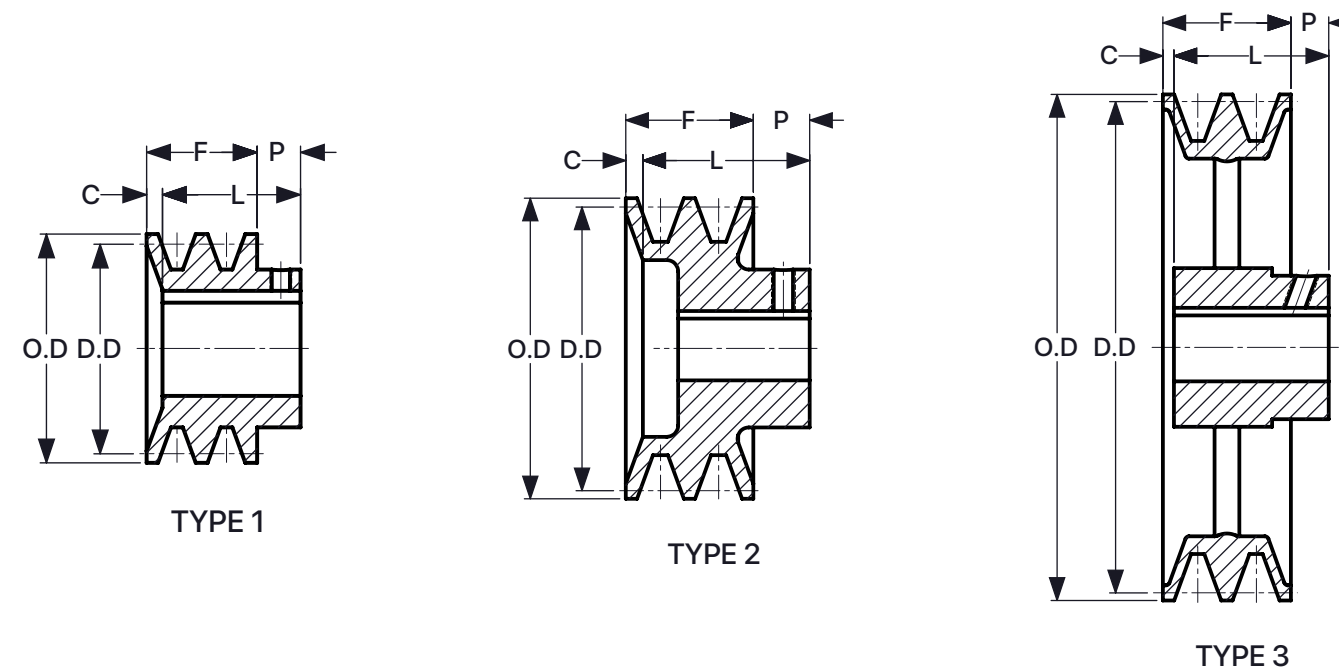


| Part no. | Diameters (in) |           |           | Type | Dimensions (in) |         |       |     | Weight<br>lb | Interchange* |
|----------|----------------|-----------|-----------|------|-----------------|---------|-------|-----|--------------|--------------|
|          | O.D.           | D.D.<br>A | D.D.<br>B |      | F               | L       | P     | C   |              |              |
| 2BK25    | 2.50           | 1.90      | 2.30      | 1    | 1 3/4           | 1 31/32 | 15/32 | 1/4 | 1.3          | 2MB25        |
| 2BK27    | 2.70           | 2.10      | 2.50      | 1    | 1 3/4           | 1 31/32 | 15/32 | 1/4 | 1.6          | 2MB28        |
| 2BK28    | 2.95           | 2.20      | 2.60      | 1    | 1 3/4           | 1 31/32 | 15/32 | 1/4 | 1.9          | 2MB30        |
| 2BK30    | 3.15           | 2.40      | 2.80      | 1    | 1 3/4           | 1 31/32 | 15/32 | 1/4 | 2.3          | 2MB32        |
| 2BK32    | 3.35           | 2.60      | 3.00      | 1    | 1 3/4           | 1 31/32 | 15/32 | 1/4 | 2.6          | 2MB34        |
| 2BK34    | 3.55           | 2.80      | 3.20      | 1    | 1 3/4           | 1 31/32 | 15/32 | 1/4 | 2.8          | 2MB35        |
| 2BK36    | 3.75           | 3.00      | 3.40      | 1    | 1 3/4           | 1 31/32 | 15/32 | 1/4 | 3.3          | 2MB38        |
| 2BK40    | 3.95           | 3.20      | 3.60      | 2    | 1 3/4           | 1 15/32 | 15/32 | 3/4 | 3.3          | 2MB40        |
| 2BK45    | 4.25           | 3.50      | 3.90      | 2    | 1 3/4           | 1 15/32 | 15/32 | 3/4 | 3.3          | 2MB43        |
| 2BK47    | 4.45           | 3.70      | 4.10      | 2    | 1 3/4           | 1 15/32 | 15/32 | 3/4 | 3.7          | 2MB45        |
| 2BK50    | 4.75           | 4.00      | 4.40      | 2    | 1 3/4           | 1 15/32 | 15/32 | 3/4 | 4.1          | 2MB48        |
| 2BK52    | 4.95           | 4.20      | 4.60      | 2    | 1 3/4           | 1 15/32 | 15/32 | 3/4 | 4.5          | 2MB50        |
| 2BK55    | 5.25           | 4.50      | 4.90      | 2    | 1 3/4           | 1 15/32 | 15/32 | 3/4 | 4.5          | 2MB53        |
| 2BK57    | 5.45           | 4.70      | 5.10      | 2    | 1 3/4           | 1 15/32 | 15/32 | 3/4 | 5.1          | 2MB55        |
| 2BK60    | 5.75           | 5.00      | 5.40      | 3    | 1 3/4           | 1 15/32 | 15/32 | 3/4 | 4.9          | 2MB58        |
| 2BK62    | 5.95           | 5.20      | 5.60      | 3    | 1 3/4           | 1 15/32 | 15/32 | 3/4 | 4.8          | 2MB60        |
| 2BK65    | 6.25           | 5.50      | 5.90      | 3    | 1 3/4           | 1 15/32 | 15/32 | 3/4 | 5.0          | 2MB63        |
| 2BK67    | 6.45           | 5.70      | 6.10      | 3    | 1 3/4           | 1 15/32 | 15/32 | 3/4 | 5.0          | 2MB65        |
| 2BK70    | 6.75           | 6.00      | 6.40      | 3    | 1 3/4           | 1 19/32 | 11/32 | 1/2 | 6.6          | 2MB68        |
| 2BK80    | 7.75           | 7.00      | 7.40      | 3    | 1 3/4           | 1 19/32 | 11/32 | 1/2 | 7.2          | 2MB78        |
| 2BK90    | 8.75           | 8.00      | 8.40      | 3    | 1 3/4           | 1 19/32 | 11/32 | 1/2 | 8.4          | 2MB88        |
| 2BK100   | 9.75           | 9.00      | 9.40      | 3    | 1 3/4           | 1 19/32 | 11/32 | 1/2 | 9.4          | 2MB98        |
| 2BK110   | 10.75          | 10.00     | 10.40     | 3    | 1 3/4           | 1 19/32 | 11/32 | 1/2 | 10.4         | 2MB108       |
| 2BK120   | 11.75          | 11.00     | 11.40     | 3    | 1 3/4           | 1 19/32 | 11/32 | 1/2 | 11.8         | 2MB118       |
| 2BK130   | 12.75          | 12.00     | 12.40     | 3    | 1 3/4           | 1 19/32 | 11/32 | 1/2 | 14.9         | 2MB128       |
| 2BK140   | 13.75          | 13.00     | 13.40     | 3    | 1 3/4           | 1 19/32 | 11/32 | 1/2 | 16.3         | 2MB138       |
| 2BK160   | 15.75          | 15.00     | 15.40     | 3    | 1 3/4           | 1 19/32 | 11/32 | 1/2 | 18.0         | 2MB158       |
| 2BK190   | 18.75          | 18.00     | 18.40     | 3    | 1 3/4           | 1 19/32 | 11/32 | 1/2 | 23.3         | 2MB188       |

\*The interchange numbers match the interchange for the datum diameter.  
The other physical measurements can differ between the models BK and MB.

| Standard keyseat |              |
|------------------|--------------|
| Bore range (in)  | Keyseat (in) |
| 1/2              | None         |
| 5/8 - 7/8        | 3/16 x 3/32  |
| 15/16 - 1 1/4    | 1/4 x 1/8    |
| 1 7/16           | 3/8 x 3/16   |

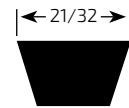
See Bushings section for set screw specifications.



# CAST IRON PULLEYS

## 3BK SERIE

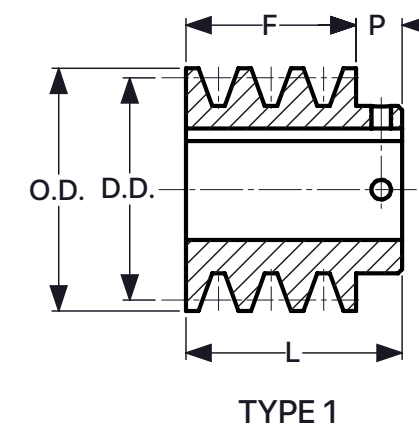
Triple groove pulley. Combination grooves for "4L" or "A" and "5L" or "B" belts



| Part no. | Diameters (in) |           |           | Type | Dimensions (in) |   |     | Weight<br>lb |
|----------|----------------|-----------|-----------|------|-----------------|---|-----|--------------|
|          | O.D.           | D.D.<br>A | D.D.<br>B |      | F               | L | P   |              |
| 3BK25    | 2.50           | 1.90      | 2.30      | 1    | 2 1/2           | 3 | 1/2 | 1.70         |
| 3BK27    | 2.70           | 2.10      | 2.50      | 1    | 2 1/2           | 3 | 1/2 | 2.10         |
| 3BK28    | 2.95           | 2.20      | 2.60      | 1    | 2 1/2           | 3 | 1/2 | 2.50         |
| 3BK30    | 3.15           | 2.40      | 2.80      | 1    | 2 1/2           | 3 | 1/2 | 3.00         |
| 3BK32    | 3.35           | 2.60      | 3.00      | 1    | 2 1/2           | 3 | 1/2 | 3.40         |
| 3BK34    | 3.55           | 2.80      | 3.20      | 1    | 2 1/2           | 3 | 1/2 | 3.80         |
| 3BK36    | 3.75           | 3.00      | 3.40      | 1    | 2 1/2           | 3 | 1/2 | 4.30         |
| 3BK40    | 3.95           | 3.20      | 3.60      | 1    | 2 1/2           | 3 | 1/2 | 4.70         |

| Standard keyseat |              |
|------------------|--------------|
| Bore range (in)  | Keyseat (in) |
| 5/8 – 7/8        | 3/16 x 3/32  |
| 15/16 – 1 1/8    | 1/4 x 1/8    |

See Bushings section for set screw specifications.

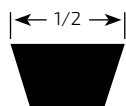


TYPE 1



# CAST IRON PULLEYS

## AKH SERIES

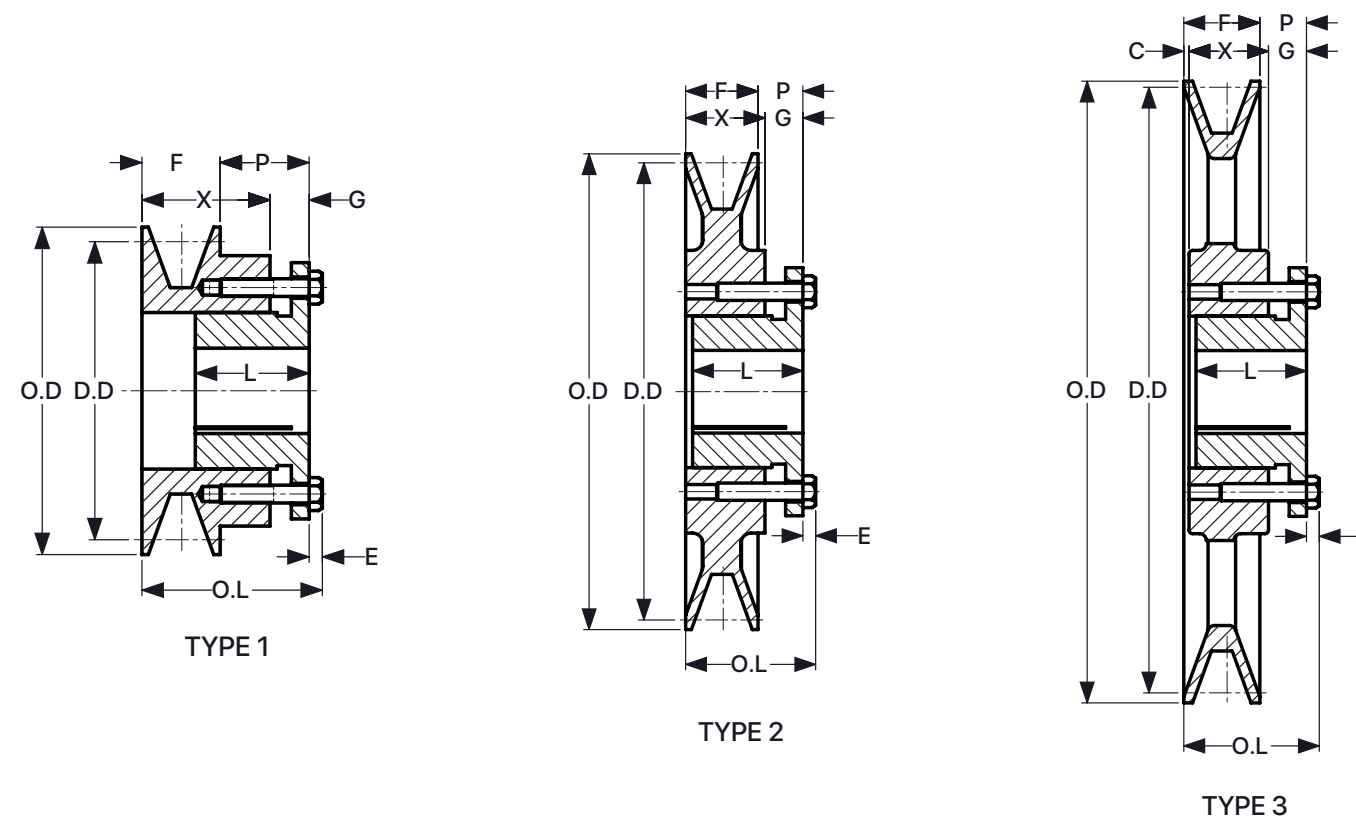


Single groove pulleys for "4L" or "A" belts. "3L" belts may be used with these pulleys as indicated below.

| Part no. | Diameters (in) |       |            | Type | Dimensions (in) |     |      |      |   |       |      |      | Weight w/o bushing<br>lb | Interchange* |
|----------|----------------|-------|------------|------|-----------------|-----|------|------|---|-------|------|------|--------------------------|--------------|
|          | O.D.           | D.D.  | Pitch "3L" |      | O.L.            | F   | L    | P    | C | X     | G    | E    |                          |              |
| AK30H    | 3.05           | 2.80  | 2.46       | 1    | 113/16          | 3/4 | 11/4 | 7/8  | - | 13/16 | 7/16 | 3/16 | 1.10                     | MAL30        |
| AK32H    | 3.25           | 3.00  | 2.66       | 1    | 113/16          | 3/4 | 11/4 | 7/8  | - | 13/16 | 7/16 | 3/16 | 1.20                     | MAL32        |
| AK34H    | 3.45           | 3.20  | 2.86       | 2    | 11/2            | 3/4 | 11/4 | 9/16 | - | 7/8   | 7/16 | 3/16 | 1.00                     | MAL34        |
| AK39H    | 3.75           | 3.50  | 3.16       | 2    | 11/2            | 3/4 | 11/4 | 9/16 | - | 7/8   | 7/16 | 3/16 | 1.40                     | MAL37        |
| AK41H    | 3.95           | 3.70  | 3.36       | 2    | 11/2            | 3/4 | 11/4 | 9/16 | - | 7/8   | 7/16 | 3/16 | 1.60                     | MAL39        |
| AK44H    | 4.25           | 4.00  | 3.66       | 2    | 11/2            | 3/4 | 11/4 | 9/16 | - | 7/8   | 7/16 | 3/16 | 1.90                     | MAL42        |
| AK46H    | 4.45           | 4.20  | 3.86       | 2    | 11/2            | 3/4 | 11/4 | 9/16 | - | 7/8   | 7/16 | 3/16 | 1.90                     | MAL44        |
| AK49H    | 4.75           | 4.50  | 4.16       | 2    | 11/2            | 3/4 | 11/4 | 9/16 | - | 7/8   | 7/16 | 3/16 | 2.10                     | MAL47        |
| AK51H    | 4.95           | 4.70  | 4.36       | 2    | 11/2            | 3/4 | 11/4 | 9/16 | - | 7/8   | 7/16 | 3/16 | 2.30                     | MAL49        |
| AK54H    | 5.25           | 5.00  | 4.66       | 2    | 11/2            | 3/4 | 11/4 | 9/16 | - | 7/8   | 7/16 | 3/16 | 2.00                     | MAL52        |
| AK56H    | 5.45           | 5.20  | 4.86       | 2    | 11/2            | 3/4 | 11/4 | 9/16 | - | 7/8   | 7/16 | 3/16 | 2.30                     | MAL54        |
| AK59H    | 5.75           | 5.50  | 5.16       | 2    | 11/2            | 3/4 | 11/4 | 9/16 | - | 7/8   | 7/16 | 3/16 | 2.40                     | MAL57        |
| AK61H    | 5.95           | 5.70  | 5.36       | 3    | 11/2            | 3/4 | 11/4 | 9/16 | 0 | 7/8   | 7/16 | 3/16 | 2.50                     | MAL59        |
| AK64H    | 6.25           | 6.00  | 5.66       | 3    | 11/2            | 3/4 | 11/4 | 9/16 | 0 | 7/8   | 7/16 | 3/16 | 2.70                     | MAL62        |
| AK66H    | 6.45           | 6.20  | 5.86       | 3    | 11/2            | 3/4 | 11/4 | 9/16 | 0 | 7/8   | 7/16 | 3/16 | 2.80                     | MAL64        |
| AK69H    | 6.75           | 6.50  | 6.16       | 3    | 11/2            | 3/4 | 11/4 | 9/16 | 0 | 7/8   | 7/16 | 3/16 | 3.20                     | MAL67        |
| AK71H    | 6.95           | 6.70  | 6.36       | 3    | 11/2            | 3/4 | 11/4 | 9/16 | 0 | 7/8   | 7/16 | 3/16 | 3.10                     | MAL69        |
| AK74H    | 7.25           | 7.00  | 6.66       | 3    | 11/2            | 3/4 | 11/4 | 9/16 | 0 | 7/8   | 7/16 | 3/16 | 3.30                     | MAL72        |
| AK79H    | 7.75           | 7.50  | 7.16       | 3    | 11/2            | 3/4 | 11/4 | 9/16 | 0 | 7/8   | 7/16 | 3/16 | 3.50                     | MAL77        |
| AK84H    | 8.25           | 8.00  | 7.66       | 3    | 11/2            | 3/4 | 11/4 | 9/16 | 0 | 7/8   | 7/16 | 3/16 | 3.60                     | MAL82        |
| AK89H    | 8.75           | 8.50  | 8.16       | 3    | 11/2            | 3/4 | 11/4 | 9/16 | 0 | 7/8   | 7/16 | 3/16 | 4.00                     | MAL87        |
| AK94H    | 9.25           | 9.00  | 8.66       | 3    | 11/2            | 3/4 | 11/4 | 9/16 | 0 | 7/8   | 7/16 | 3/16 | 4.40                     | MAL92        |
| AK99H    | 9.75           | 9.50  | 9.16       | 3    | 11/2            | 3/4 | 11/4 | 9/16 | 0 | 7/8   | 7/16 | 3/16 | 4.70                     | MAL97        |
| AK104H   | 10.25          | 10.00 | 9.66       | 3    | 11/2            | 3/4 | 11/4 | 9/16 | 0 | 7/8   | 7/16 | 3/16 | 4.50                     | MAL102       |
| AK109H   | 10.75          | 10.50 | 10.16      | 3    | 11/2            | 3/4 | 11/4 | 9/16 | 0 | 7/8   | 7/16 | 3/16 | 5.10                     | MAL107       |
| AK114H   | 11.25          | 11.00 | 10.66      | 3    | 11/2            | 3/4 | 11/4 | 9/16 | 0 | 7/8   | 7/16 | 3/16 | 5.50                     | MAL112       |
| AK124H   | 12.25          | 12.00 | 11.66      | 3    | 11/2            | 3/4 | 11/4 | 9/16 | 0 | 7/8   | 7/16 | 3/16 | 6.10                     | MAL122       |
| AK134H   | 13.25          | 13.00 | 12.66      | 3    | 11/2            | 3/4 | 11/4 | 9/16 | 0 | 7/8   | 7/16 | 3/16 | 7.40                     | MAL132       |
| AK144H   | 14.25          | 14.00 | 13.66      | 3    | 11/2            | 3/4 | 11/4 | 9/16 | 0 | 7/8   | 7/16 | 3/16 | 7.80                     | MAL142       |
| AK154H   | 15.25          | 15.00 | 14.66      | 3    | 11/2            | 3/4 | 11/4 | 9/16 | 0 | 7/8   | 7/16 | 3/16 | 8.80                     | MAL152       |
| AK184H   | 18.25          | 18.00 | 17.66      | 3    | 11/2            | 3/4 | 11/4 | 9/16 | 0 | 7/8   | 7/16 | 3/16 | 11.30                    | MAL182       |

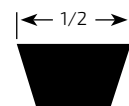
H Type bushing required with all these pulleys (see Bushings section for specifications)

\*The interchange numbers match the interchange for the datum diameter. The other physical measurements can differ between the models AK and MA.



# CAST IRON PULLEYS

## 2AKH SERIES

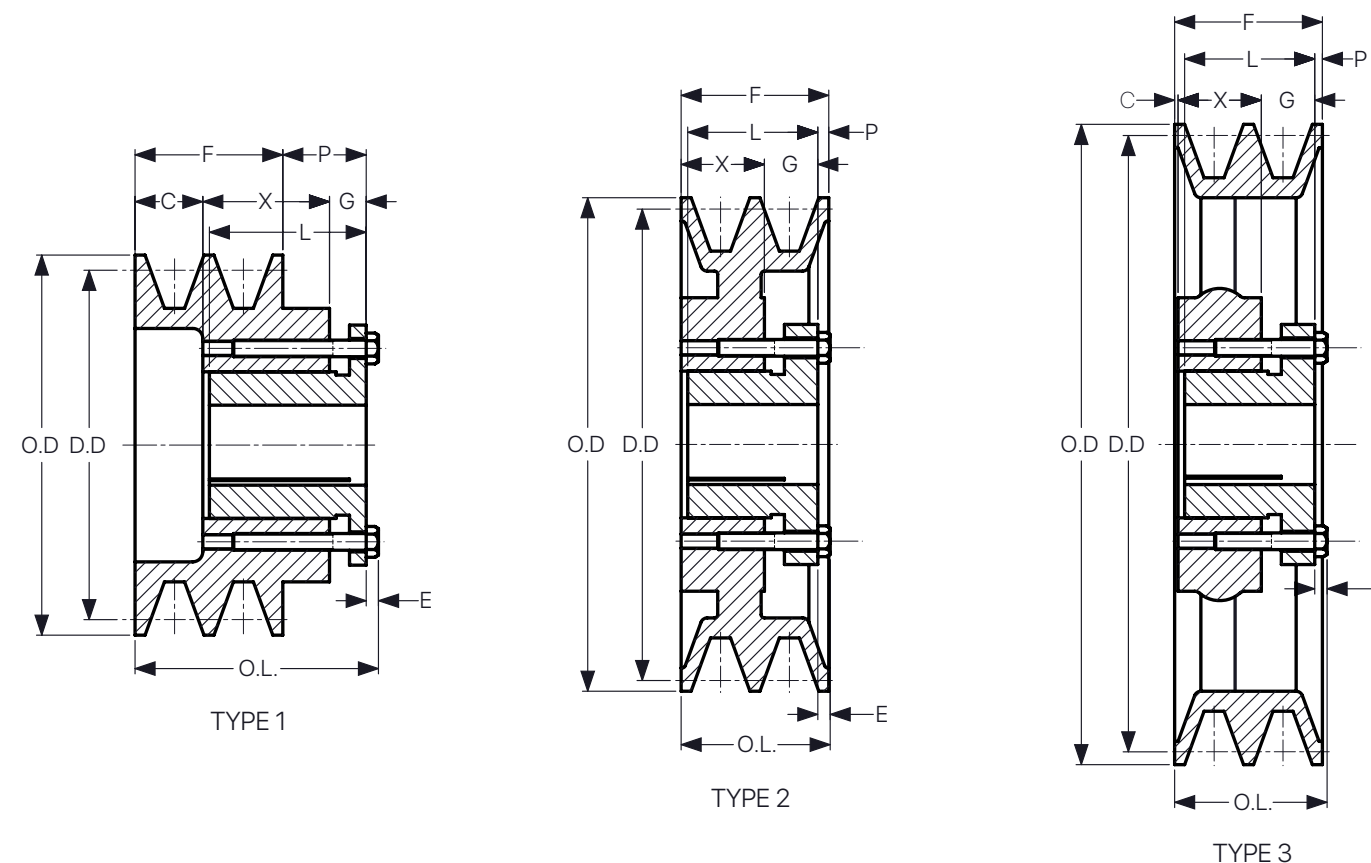


Double groove pulleys for "4L" or "A"belts. "3L" belts may be used with bushings as indicated below.

| Part no. | Diameters (in) |       |            | Type | Dimensions (in) |      |      |      |       |     |      |      | Weight w/o bushing lb | Interchange* |
|----------|----------------|-------|------------|------|-----------------|------|------|------|-------|-----|------|------|-----------------------|--------------|
|          | O.D.           | D.D.  | Pitch "3L" |      | O.L.            | F    | L    | P    | C     | X   | G    | E    |                       |              |
| 2AK30H   | 3.05           | 2.80  | 2.46       | 1    | 2 7/16          | 13/8 | 11/4 | 7/8  | 15/16 | 7/8 | 7/16 | 3/16 | 1.40                  | 2MAL30       |
| 2AK32H   | 3.25           | 3.00  | 2.66       | 1    | 2 7/16          | 13/8 | 11/4 | 7/8  | 15/16 | 7/8 | 7/16 | 3/16 | 1.70                  | 2MAL32       |
| 2AK34H   | 3.45           | 3.20  | 2.86       | 1    | 2               | 13/8 | 11/4 | 7/16 | 1/2   | 7/8 | 7/16 | 3/16 | 1.80                  | 2MAL34       |
| 2AK39H   | 3.75           | 3.50  | 3.16       | 1    | 2               | 13/8 | 11/4 | 7/16 | 1/2   | 7/8 | 7/16 | 3/16 | 1.80                  | 2MAL37       |
| 2AK41H   | 3.95           | 3.70  | 3.36       | 2    | 1 1/2           | 13/8 | 11/4 | 7/16 | -     | 7/8 | 7/16 | 3/16 | 1.90                  | 2MAL39       |
| 2AK44H   | 4.25           | 4.00  | 3.66       | 2    | 1 1/2           | 13/8 | 11/4 | 1/16 | -     | 7/8 | 7/16 | 3/16 | 2.40                  | 2MAL42       |
| 2AK46H   | 4.45           | 4.20  | 3.86       | 2    | 1 1/2           | 13/8 | 11/4 | 1/16 | -     | 7/8 | 7/16 | 3/16 | 2.50                  | 2MAL44       |
| 2AK49H   | 4.75           | 4.50  | 4.16       | 2    | 1 1/2           | 13/8 | 11/4 | 1/16 | -     | 7/8 | 7/16 | 3/16 | 3.10                  | 2MAL47       |
| 2AK51H   | 4.95           | 4.70  | 4.36       | 2    | 1 1/2           | 13/8 | 11/4 | 1/16 | -     | 7/8 | 7/16 | 3/16 | 3.20                  | 2MAL49       |
| 2AK54H   | 5.25           | 5.00  | 4.66       | 2    | 1 1/2           | 13/8 | 11/4 | 1/16 | -     | 7/8 | 7/16 | 3/16 | 3.40                  | 2MAL52       |
| 2AK56H   | 5.45           | 5.20  | 4.86       | 2    | 1 1/2           | 13/8 | 11/4 | 1/16 | -     | 7/8 | 7/16 | 3/16 | 3.60                  | 2MAL54       |
| 2AK59H   | 5.75           | 5.50  | 5.16       | 3    | 1 1/2           | 13/8 | 11/4 | 1/16 | 0     | 7/8 | 7/16 | 3/16 | 3.40                  | 2MAL57       |
| 2AK61H   | 5.95           | 5.70  | 5.36       | 3    | 1 1/2           | 13/8 | 11/4 | 1/16 | 0     | 7/8 | 7/16 | 3/16 | 3.30                  | 2MAL59       |
| 2AK64H   | 6.25           | 6.00  | 5.66       | 3    | 1 1/2           | 13/8 | 11/4 | 1/16 | 0     | 7/8 | 7/16 | 3/16 | 3.90                  | 2MAL62       |
| 2AK74H   | 7.25           | 7.00  | 6.66       | 3    | 1 1/2           | 13/8 | 11/4 | 1/16 | 0     | 7/8 | 7/16 | 3/16 | 4.90                  | 2MAL72       |
| 2AK84H   | 8.25           | 8.00  | 7.66       | 3    | 1 1/2           | 13/8 | 11/4 | 1/16 | 0     | 7/8 | 7/16 | 3/16 | 5.80                  | 2MAL82       |
| 2AK94H   | 9.25           | 9.00  | 8.66       | 3    | 1 1/2           | 13/8 | 11/4 | 1/16 | 0     | 7/8 | 7/16 | 3/16 | 6.10                  | 2MAL92       |
| 2AK104H  | 10.25          | 10.00 | 9.66       | 3    | 1 1/2           | 13/8 | 11/4 | 1/16 | 0     | 7/8 | 7/16 | 3/16 | 7.70                  | 2MAL102      |
| 2AK114H  | 11.25          | 11.00 | 10.66      | 3    | 1 1/2           | 13/8 | 11/4 | 1/16 | 0     | 7/8 | 7/16 | 3/16 | 8.50                  | 2MAL112      |
| 2AK124H  | 12.25          | 12.00 | 11.66      | 3    | 1 1/2           | 13/8 | 11/4 | 1/16 | 0     | 7/8 | 7/16 | 3/16 | 9.50                  | 2MAL122      |
| 2AK134H  | 13.25          | 13.00 | 12.66      | 3    | 1 1/2           | 13/8 | 11/4 | 1/16 | 0     | 7/8 | 7/16 | 3/16 | 11.40                 | 2MAL132      |
| 2AK144H  | 14.25          | 14.00 | 13.66      | 3    | 1 1/2           | 13/8 | 11/4 | 1/16 | 0     | 7/8 | 7/16 | 3/16 | 11.90                 | 2MAL142      |
| 2AK154H  | 15.25          | 15.00 | 14.66      | 3    | 1 1/2           | 13/8 | 11/4 | 1/16 | 0     | 7/8 | 7/16 | 3/16 | 13.30                 | 2MAL152      |
| 2AK184H  | 18.25          | 18.00 | 17.66      | 3    | 1 1/2           | 13/8 | 11/4 | 1/16 | 0     | 7/8 | 7/16 | 3/16 | 16.80                 | 2MAL182      |

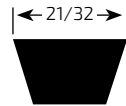
H Type bushing required with all these pulleys (see Bushings section for specifications)

\*The interchange numbers match the interchange for the datum diameter. The other physical measurements can differ between the models AK and MA.



# CAST IRON PULLEYS

## BKH SERIES

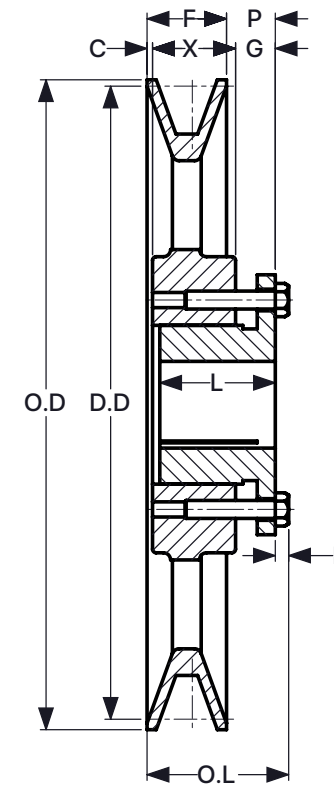
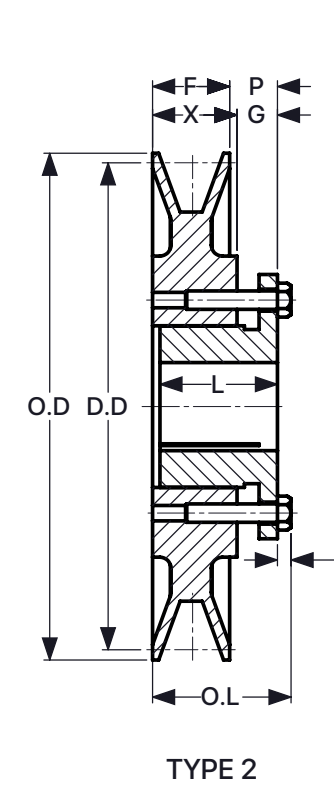
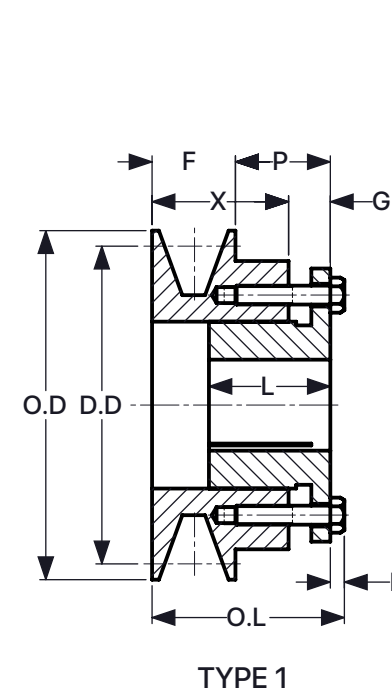


Single groove pulleys for "4L" or "A" belts and "5L" or "B" belts with bushing

| Part no. | Diameters (in) |        |        | Type | Dimensions (in) |     |      |      |      |       |      |      | Weight w/o bushing lb | Interchange* |
|----------|----------------|--------|--------|------|-----------------|-----|------|------|------|-------|------|------|-----------------------|--------------|
|          | O.D.           | D.D. A | D.D. B |      | O.L.            | F   | L    | P    | C    | X     | G    | E    |                       |              |
| BK30H    | 3.15           | 2.40   | 2.80   | 1    | 115/16          | 7/8 | 11/4 | 7/8  | ---  | 15/16 | 7/16 | 3/16 | 1.2                   | MBL31        |
| BK32H    | 3.35           | 2.60   | 3.00   | 1    | 115/16          | 7/8 | 11/4 | 7/8  | ---  | 15/16 | 7/16 | 3/16 | 1.40                  | MBL33        |
| BK34H    | 3.55           | 2.80   | 3.20   | 1    | 115/16          | 7/8 | 11/4 | 7/8  | ---  | 15/16 | 7/16 | 3/16 | 1.60                  | MBL35        |
| BK36H    | 3.75           | 3.00   | 3.40   | 2    | 11/2            | 7/8 | 11/4 | 7/16 | ---  | 7/8   | 7/16 | 3/16 | 1.20                  | MBL37        |
| BK40H    | 3.95           | 3.20   | 3.60   | 2    | 11/2            | 7/8 | 11/4 | 7/16 | ---  | 7/8   | 7/16 | 3/16 | 1.40                  | MBL39        |
| BK45H    | 4.25           | 3.50   | 3.90   | 2    | 11/2            | 7/8 | 11/4 | 7/16 | ---  | 7/8   | 7/16 | 3/16 | 1.80                  | MBL42        |
| BK47H    | 4.45           | 3.70   | 4.10   | 2    | 11/2            | 7/8 | 11/4 | 7/16 | ---  | 7/8   | 7/16 | 3/16 | 2.20                  | MBL44        |
| BK50H    | 4.75           | 4.00   | 4.40   | 2    | 11/2            | 7/8 | 11/4 | 7/16 | ---  | 7/8   | 7/16 | 3/16 | 2.00                  | MBL47        |
| BK52H    | 4.95           | 4.20   | 4.60   | 2    | 11/2            | 7/8 | 11/4 | 7/16 | ---  | 7/8   | 7/16 | 3/16 | 2.10                  | MBL49        |
| BK55H    | 5.25           | 4.50   | 4.90   | 2    | 11/2            | 7/8 | 11/4 | 7/16 | ---  | 7/8   | 7/16 | 3/16 | 2.70                  | MBL52        |
| BK57H    | 5.45           | 4.70   | 5.10   | 2    | 11/2            | 7/8 | 11/4 | 7/16 | ---  | 7/8   | 7/16 | 3/16 | 2.70                  | MBL54        |
| BK60H    | 5.75           | 5.00   | 5.40   | 2    | 11/2            | 7/8 | 11/4 | 7/16 | ---  | 7/8   | 7/16 | 3/16 | 2.50                  | MBL57        |
| BK62H    | 5.95           | 5.20   | 5.60   | 2    | 11/2            | 7/8 | 11/4 | 7/16 | ---  | 7/8   | 7/16 | 3/16 | 2.60                  | MBL59        |
| BK65H    | 6.25           | 5.50   | 5.90   | 2    | 11/2            | 7/8 | 11/4 | 7/16 | ---  | 7/8   | 7/16 | 3/16 | 2.80                  | MBL62        |
| BK67H    | 6.45           | 5.70   | 6.10   | 2    | 11/2            | 7/8 | 11/4 | 7/16 | ---  | 7/8   | 7/16 | 3/16 | 2.90                  | MBL64        |
| BK70H    | 6.75           | 6.00   | 6.40   | 3    | 19/16           | 7/8 | 11/4 | 1/2  | 1/16 | 7/8   | 7/16 | 3/16 | 2.80                  | MBL67        |
| BK72H    | 6.95           | 6.20   | 6.60   | 3    | 19/16           | 7/8 | 11/4 | 1/2  | 1/16 | 7/8   | 7/16 | 3/16 | 3.10                  | MBL69        |
| BK75H    | 7.25           | 6.50   | 6.90   | 3    | 19/16           | 7/8 | 11/4 | 1/2  | 1/16 | 7/8   | 7/16 | 3/16 | 3.30                  | MBL72        |
| BK77H    | 7.45           | 6.70   | 7.10   | 3    | 19/16           | 7/8 | 11/4 | 1/2  | 1/16 | 7/8   | 7/16 | 3/16 | 3.80                  | MBL74        |
| BK80H    | 7.75           | 7.00   | 7.40   | 3    | 19/16           | 7/8 | 11/4 | 1/2  | 1/16 | 7/8   | 7/16 | 3/16 | 3.40                  | MBL77        |
| BK85H    | 8.25           | 7.50   | 7.90   | 3    | 19/16           | 7/8 | 11/4 | 1/2  | 1/16 | 7/8   | 7/16 | 3/16 | 3.80                  | MBL82        |
| BK90H    | 8.75           | 8.00   | 8.40   | 3    | 19/16           | 7/8 | 11/4 | 1/2  | 1/16 | 7/8   | 7/16 | 3/16 | 4.30                  | MBL87        |
| BK95H    | 9.25           | 8.50   | 8.90   | 3    | 19/16           | 7/8 | 11/4 | 1/2  | 1/16 | 7/8   | 7/16 | 3/16 | 5.00                  | MBL92        |
| BK100H   | 9.75           | 9.00   | 9.40   | 3    | 19/16           | 7/8 | 11/4 | 1/2  | 1/16 | 7/8   | 7/16 | 3/16 | 5.20                  | MBL97        |
| BK105H   | 10.25          | 9.50   | 9.90   | 3    | 19/16           | 7/8 | 11/4 | 1/2  | 1/16 | 7/8   | 7/16 | 3/16 | 5.50                  | MBL102       |
| BK110H   | 10.75          | 10.00  | 10.40  | 3    | 19/16           | 7/8 | 11/4 | 1/2  | 1/16 | 7/8   | 7/16 | 3/16 | 6.00                  | MBL107       |
| BK115H   | 11.25          | 10.50  | 10.90  | 3    | 19/16           | 7/8 | 11/4 | 1/2  | 1/16 | 7/8   | 7/16 | 3/16 | 6.40                  | MBL112       |
| BK120H   | 11.75          | 11.00  | 11.40  | 3    | 19/16           | 7/8 | 11/4 | 1/2  | 1/16 | 7/8   | 7/16 | 3/16 | 6.90                  | MBL117       |
| BK130H   | 12.75          | 12.00  | 12.40  | 3    | 19/16           | 7/8 | 11/4 | 1/2  | 1/16 | 7/8   | 7/16 | 3/16 | 6.90                  | MBL127       |
| BK140H   | 13.75          | 13.00  | 13.40  | 3    | 19/16           | 7/8 | 11/4 | 1/2  | 1/16 | 7/8   | 7/16 | 3/16 | 8.50                  | MBL137       |
| BK150H   | 14.75          | 14.00  | 14.40  | 3    | 19/16           | 7/8 | 11/4 | 1/2  | 1/16 | 7/8   | 7/16 | 3/16 | 9.50                  | MBL147       |
| BK160H   | 15.75          | 15.00  | 15.40  | 3    | 19/16           | 7/8 | 11/4 | 1/2  | 1/16 | 7/8   | 7/16 | 3/16 | 9.80                  | MBL157       |
| BK190H   | 18.75          | 18.00  | 18.40  | 3    | 19/16           | 7/8 | 11/4 | 1/2  | 1/16 | 7/8   | 7/16 | 3/16 | 12.80                 | MBL187       |

H Type bushing required with all these pulleys (see Bushings section for specifications)

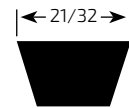
\*The interchange numbers match the interchange for the datum diameter. The other physical measurements can differ between the models BK and MB.



# CAST IRON PULLEYS

## 2BKH SERIES

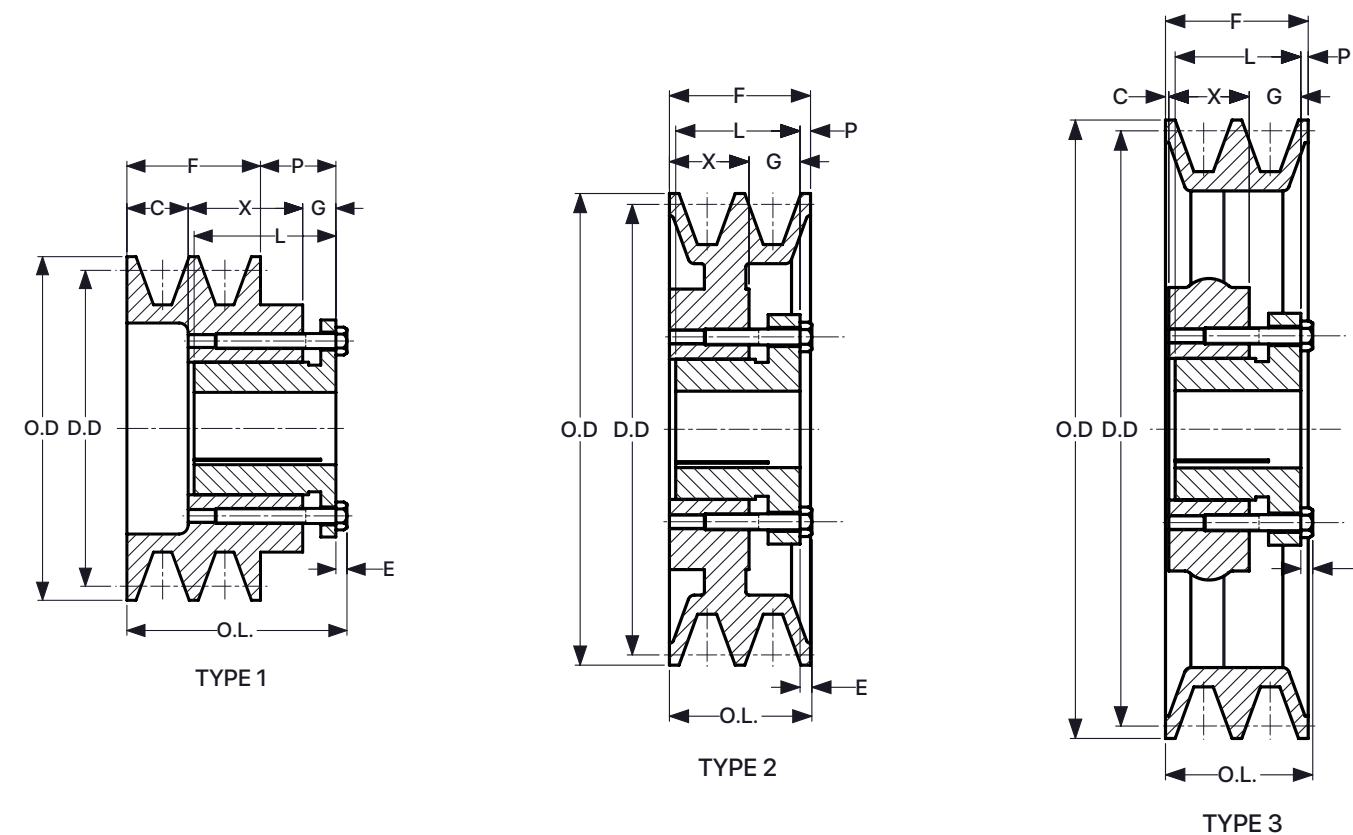
Double groove pulleys for "4L" or "A" belts and "5L" or "B" belts with bushing



| Part no. | Diameters (in) |           |           | Type | Dimensions (in) |      |      |      |       |     |      |      | Weight w/o bushing<br>lb | Interchange* |
|----------|----------------|-----------|-----------|------|-----------------|------|------|------|-------|-----|------|------|--------------------------|--------------|
|          | O.D.           | D.D.<br>A | D.D.<br>B |      | O.L.            | F    | L    | P    | C     | X   | G    | E    |                          |              |
| 2BK32H   | 3.35           | 2.60      | 3.00      | 1    | 2 13/16         | 13/4 | 11/4 | 7/8  | 15/16 | 7/8 | 7/16 | 3/16 | 2.10                     | 2MBL33       |
| 2BK34H   | 3.55           | 2.80      | 3.20      | 1    | 2 13/16         | 13/4 | 11/4 | 7/8  | 15/16 | 7/8 | 7/16 | 3/16 | 2.40                     | 2MBL35       |
| 2BK36H   | 3.75           | 3.00      | 3.40      | 1    | 2 3/8           | 13/4 | 11/4 | 7/16 | 7/8   | 7/8 | 7/16 | 3/16 | 2.00                     | 2MBL37       |
| 2BK40H   | 3.95           | 3.20      | 3.60      | 1    | 2 3/8           | 13/4 | 11/4 | 7/16 | 7/8   | 7/8 | 7/16 | 3/16 | 2.40                     | 2MBL39       |
| 2BK45H   | 4.25           | 3.50      | 3.90      | 1    | 2 3/8           | 13/4 | 11/4 | 7/16 | 7/8   | 7/8 | 7/16 | 3/16 | 3.00                     | 2MBL42       |
| 2BK47H   | 4.45           | 3.70      | 4.10      | 2    | 13/4            | 13/4 | 11/4 | 7/16 | -     | 7/8 | 7/16 | 3/16 | 2.80                     | 2MBL44       |
| 2BK50H   | 4.75           | 4.00      | 4.40      | 2    | 13/4            | 13/4 | 11/4 | 7/16 | -     | 7/8 | 7/16 | 3/16 | 3.30                     | 2MBL47       |
| 2BK52H   | 4.95           | 4.20      | 4.60      | 2    | 13/4            | 13/4 | 11/4 | 7/16 | -     | 7/8 | 7/16 | 3/16 | 3.60                     | 2MBL49       |
| 2BK55H   | 5.25           | 4.50      | 4.90      | 2    | 13/4            | 13/4 | 11/4 | 7/16 | -     | 7/8 | 7/16 | 3/16 | 3.90                     | 2MBL52       |
| 2BK57H   | 5.45           | 4.70      | 5.10      | 2    | 13/4            | 13/4 | 11/4 | 7/16 | -     | 7/8 | 7/16 | 3/16 | 4.30                     | 2MBL54       |
| 2BK60H   | 5.75           | 5.00      | 5.40      | 2    | 13/4            | 13/4 | 11/4 | 7/16 | -     | 7/8 | 7/16 | 3/16 | 4.40                     | 2MBL57       |
| 2BK62H   | 5.95           | 5.20      | 5.60      | 2    | 13/4            | 13/4 | 11/4 | 7/16 | -     | 7/8 | 7/16 | 3/16 | 4.50                     | 2MBL59       |
| 2BK65H   | 6.25           | 5.50      | 5.90      | 3    | 13/4            | 13/4 | 11/4 | 7/16 | 1/4   | 7/8 | 7/16 | 3/16 | 4.50                     | 2MBL62       |
| 2BK67H   | 6.45           | 5.70      | 6.10      | 3    | 13/4            | 13/4 | 11/4 | 7/16 | 1/4   | 7/8 | 7/16 | 3/16 | 5.00                     | 2MBL64       |
| 2BK70H   | 6.75           | 6.00      | 6.40      | 3    | 13/4            | 13/4 | 11/4 | 7/16 | 1/4   | 7/8 | 7/16 | 3/16 | 5.10                     | 2MBL67       |
| 2BK80H   | 7.75           | 7.00      | 7.40      | 3    | 13/4            | 13/4 | 11/4 | 7/16 | 1/4   | 7/8 | 7/16 | 3/16 | 6.40                     | 2MBL77       |
| 2BK90H   | 8.75           | 8.00      | 8.40      | 3    | 13/4            | 13/4 | 11/4 | 7/16 | 1/4   | 7/8 | 7/16 | 3/16 | 7.60                     | 2MBL87       |
| 2BK100H  | 9.75           | 9.00      | 9.40      | 3    | 13/4            | 13/4 | 11/4 | 7/16 | 1/4   | 7/8 | 7/16 | 3/16 | 8.40                     | 2MBL97       |
| 2BK110H  | 10.75          | 10.00     | 10.40     | 3    | 13/4            | 13/4 | 11/4 | 7/16 | 1/4   | 7/8 | 7/16 | 3/16 | 9.30                     | 2MBL107      |
| 2BK120H  | 11.75          | 11.00     | 11.40     | 3    | 13/4            | 13/4 | 11/4 | 7/16 | 1/4   | 7/8 | 7/16 | 3/16 | 11.00                    | 2MBL117      |
| 2BK130H  | 12.75          | 12.00     | 12.40     | 3    | 13/4            | 13/4 | 11/4 | 7/16 | 1/4   | 7/8 | 7/16 | 3/16 | 13.10                    | 2MBL127      |
| 2BK140H  | 13.75          | 13.00     | 13.40     | 3    | 13/4            | 13/4 | 11/4 | 7/16 | 1/4   | 7/8 | 7/16 | 3/16 | 14.80                    | 2MBL137      |
| 2BK160H  | 15.75          | 15.00     | 15.40     | 3    | 13/4            | 13/4 | 11/4 | 7/16 | 1/4   | 7/8 | 7/16 | 3/16 | 17.50                    | 2MBL157      |
| 2BK190H  | 18.75          | 18.00     | 18.40     | 3    | 13/4            | 13/4 | 11/4 | 7/16 | 1/4   | 7/8 | 7/16 | 3/16 | 21.50                    | 2MBL187      |

H Type bushing required with all these pulleys (see Bushings section for specifications)

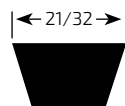
\*The interchange numbers match the interchange for the datum diameter.  
The other physical measurements can differ between the models BK and MB.





# CAST IRON PULLEYS

## 3BKH SERIES

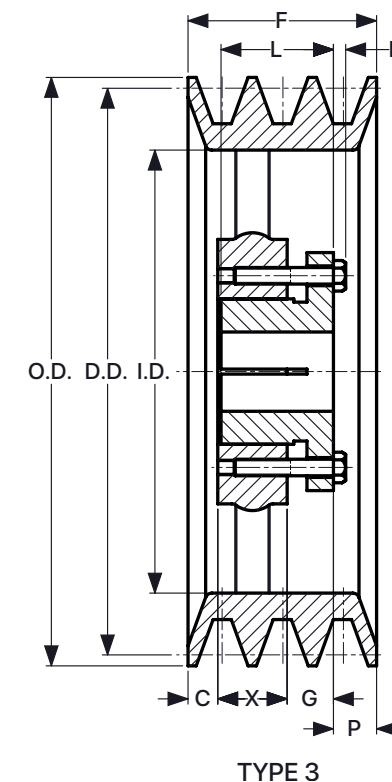
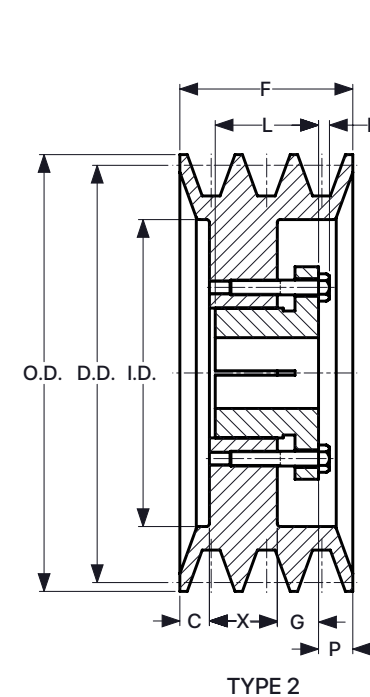


Triple groove sheave. Combination grooves for "4L" or "A" belts and "5L" or "B"

| Part no. | Diameters (in) |        |        |         | Type | Dimensions (in) |      |       |       |     |      |      | Weight w/o bushing<br>lb |
|----------|----------------|--------|--------|---------|------|-----------------|------|-------|-------|-----|------|------|--------------------------|
|          | O.D.           | D.D. A | D.D. B | I.D.    |      | F               | L    | P     | C     | X   | G    | E    |                          |
| 3BK45H   | 4.25           | 3.50   | 3.90   | 2 5/8   | 2    | 2 1/2           | 11/4 | 1/2   | 11/16 | 7/8 | 7/16 | 3/16 | 3.90                     |
| 3BK47H   | 4.45           | 3.70   | 4.10   | 2 11/16 | 2    | 2 1/2           | 11/4 | 1/2   | 11/16 | 7/8 | 7/16 | 3/16 | 4.20                     |
| 3BK50H   | 4.75           | 4.00   | 4.40   | 3       | 2    | 2 1/2           | 11/4 | 1/2   | 11/16 | 7/8 | 7/16 | 3/16 | 4.40                     |
| 3BK52H   | 4.95           | 4.20   | 4.60   | 3 3/16  | 2    | 2 1/2           | 11/4 | 1/2   | 11/16 | 7/8 | 7/16 | 3/16 | 4.70                     |
| 3BK55H   | 5.25           | 4.50   | 4.90   | 3 1/2   | 2    | 2 1/2           | 11/4 | 1/2   | 11/16 | 7/8 | 7/16 | 3/16 | 5.10                     |
| 3BK57H   | 5.45           | 4.70   | 5.10   | 3 11/16 | 2    | 2 1/2           | 11/4 | 1/2   | 11/16 | 7/8 | 7/16 | 3/16 | 5.30                     |
| 3BK60H   | 5.75           | 5.00   | 5.40   | 4       | 3    | 2 1/2           | 11/4 | 1/2   | 11/16 | 7/8 | 7/16 | 3/16 | 5.60                     |
| 3BK62H   | 5.95           | 5.20   | 5.60   | 4 3/16  | 3    | 2 1/2           | 11/4 | 1/2   | 11/16 | 7/8 | 7/16 | 3/16 | 5.80                     |
| 3BK65H   | 6.25           | 5.50   | 5.90   | 4 1/2   | 3    | 2 1/2           | 11/4 | 29/32 | 9/32  | 7/8 | 7/16 | 3/16 | 5.80                     |
| 3BK67H   | 6.45           | 5.70   | 6.10   | 4 11/16 | 3    | 2 1/2           | 11/4 | 29/32 | 9/32  | 7/8 | 7/16 | 3/16 | 6.20                     |
| 3BK70H   | 6.75           | 6.00   | 6.40   | 5       | 3    | 2 1/2           | 11/4 | 29/32 | 9/32  | 7/8 | 7/16 | 3/16 | 6.60                     |
| 3BK80H   | 7.75           | 7.00   | 7.40   | 6       | 3    | 2 1/2           | 11/4 | 27/32 | 11/32 | 7/8 | 7/16 | 3/16 | 8.30                     |
| 3BK90H   | 8.75           | 8.00   | 8.40   | 7       | 3    | 2 1/2           | 11/4 | 27/32 | 11/32 | 7/8 | 7/16 | 3/16 | 9.80                     |
| 3BK100H  | 9.75           | 9.00   | 9.40   | 8       | 3    | 2 1/2           | 11/4 | 27/32 | 11/32 | 7/8 | 7/16 | 3/16 | 10.90                    |
| 3BK110H  | 10.75          | 10.00  | 10.40  | 9       | 3    | 2 1/2           | 11/4 | 27/32 | 11/32 | 7/8 | 7/16 | 3/16 | 12.10                    |
| 3BK120H  | 11.75          | 11.00  | 11.40  | 10      | 3    | 2 1/2           | 11/4 | 27/32 | 11/32 | 7/8 | 7/16 | 3/16 | 14.30                    |
| 3BK130H  | 12.75          | 12.00  | 12.40  | 11      | 3    | 2 1/2           | 11/4 | 25/32 | 13/32 | 7/8 | 7/16 | 3/16 | 16.20                    |
| 3BK140H  | 13.75          | 13.00  | 13.40  | 12      | 3    | 2 1/2           | 11/4 | 25/32 | 13/32 | 7/8 | 7/16 | 3/16 | 17.70                    |
| 3BK160H  | 15.75          | 15.00  | 15.40  | 14      | 3    | 2 1/2           | 11/4 | 25/32 | 13/32 | 7/8 | 7/16 | 3/16 | 21.00                    |
| 3BK190H  | 18.75          | 18.00  | 18.40  | 17      | 3    | 2 1/2           | 11/4 | 25/32 | 13/32 | 7/8 | 7/16 | 3/16 | 25.80                    |

H type bushing required with all these pulleys (see Bushings section for specifications)

\*The interchange numbers match the interchange for the datum diameter.  
The other physical measurements can differ between the models BK and MB.



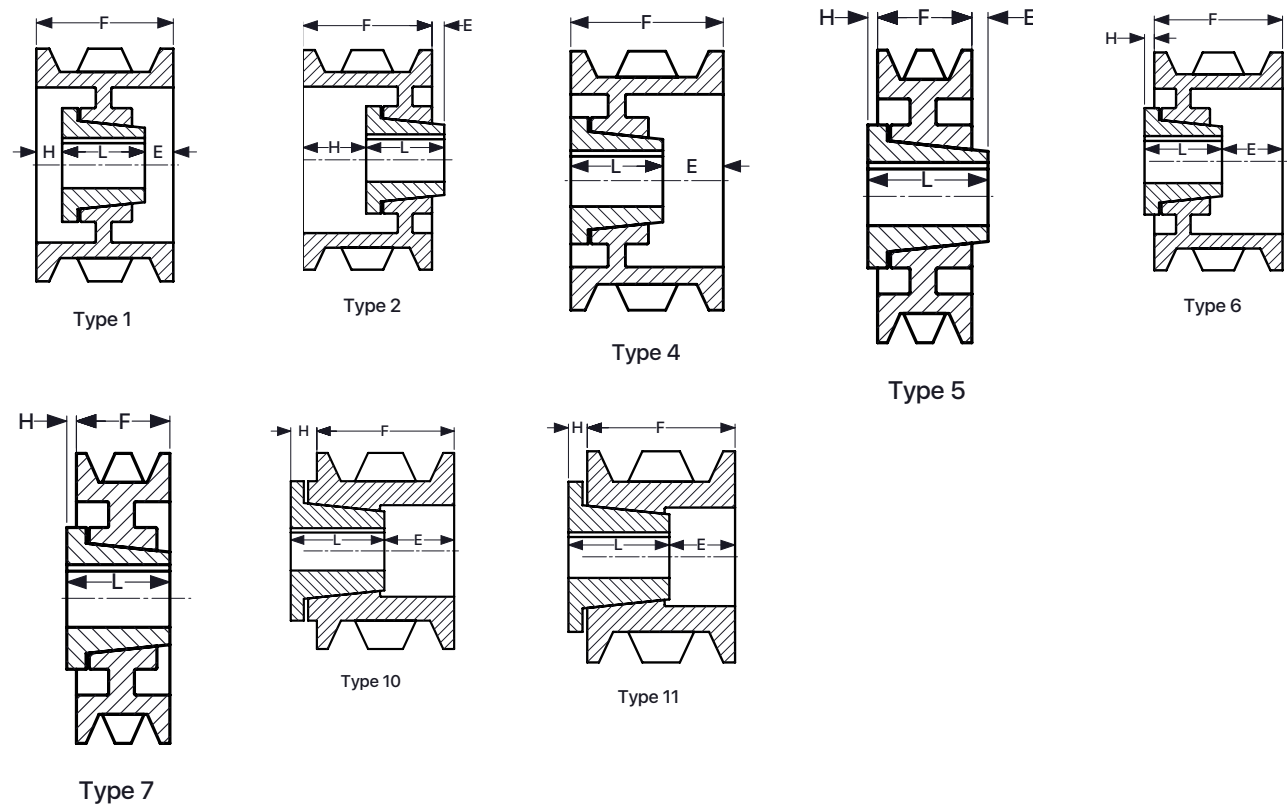
## A/B COMBINATION PULLEYS

- Single, double or triple-groove
- Available for light work and standard work
- Made of cast iron
- 1 to 8 grooves
- Outside diameters of up to 25.35"



# A/B COMBINATION PULLEYS

FOR QD TAPER BUSHINGS



L, H and E: Pulley dimensions vary according to shaft tolerance

B: QD Bushing type

T: Type. Suffix indicates construction : A = arms; B = block; W = web

**Caution**

Do not use these grey cast iron pulleys with rim speeds in excess of 6500 feet/min.



# A/B COMBINATION PULLEYS

1 GROOVE

| 1 groove (in) |       |        |        |  |     |     |        |      |             |
|---------------|-------|--------|--------|--|-----|-----|--------|------|-------------|
| Part no.      | O.D.  | P.D.   |        | F = 7/8" up to 7.15 O.D. and 1" thereafter |     |     |        |      |             |
|               |       | A belt | B belt | H  | T   | B   | L      | E    | Weight (lb) |
| 1B3.4         | 3.75  | 3.0    | 3.4    | 11/16                                      | 11B | SH  | 15/16  | 1/4  | 1           |
| 1B3.6         | 3.95  | 3.2    | 3.6    | 11/16                                      | 11B | SH  | 15/16  | 1/4  | 1           |
| 1B3.8         | 4.15  | 3.4    | 3.8    | 11/16                                      | 11B | SH  | 15/16  | 1/4  | 2           |
| 1B4.0         | 4.35  | 3.6    | 4.0    | 11/16                                      | 11B | SH  | 15/16  | 1/4  | 2           |
| 1B4.2         | 4.55  | 3.8    | 4.2    | 11/16                                      | 11B | SH  | 15/16  | 1/4  | 2           |
| 1B4.4         | 4.75  | 4.0    | 4.4    | 11/16                                      | 11B | SH  | 15/16  | 1/4  | 2           |
| 1B4.6         | 4.95  | 4.2    | 4.6    | 11/32                                      | 5B  | SDS | 15/16  | 3/32 | 2           |
| 1B4.8         | 5.15  | 4.4    | 4.8    | 11/32                                      | 5B  | SDS | 15/16  | 3/32 | 3           |
| 1B5.0         | 5.35  | 4.6    | 5.0    | 11/32                                      | 5B  | SDS | 15/16  | 3/32 | 3           |
| 1B5.2         | 5.55  | 4.8    | 5.2    | 11/32                                      | 5B  | SDS | 15/16  | 3/32 | 3           |
| 1B5.4         | 5.75  | 5.0    | 5.4    | 11/32                                      | 5B  | SDS | 15/16  | 3/32 | 4           |
| 1B5.6         | 5.95  | 5.2    | 5.6    | 11/32                                      | 5B  | SDS | 15/16  | 3/32 | 4           |
| 1B5.8         | 6.15  | 5.4    | 5.8    | 11/32                                      | 5B  | SDS | 15/16  | 3/32 | 4           |
| 1B6.0         | 6.35  | 5.6    | 6.0    | 11/32                                      | 5B  | SDS | 15/16  | 3/32 | 5           |
| 1B6.2         | 6.55  | 5.8    | 6.2    | 11/32                                      | 5B  | SDS | 15/16  | 3/32 | 5           |
| 1B6.4         | 6.75  | 6.0    | 6.4    | 11/32                                      | 5B  | SDS | 15/16  | 3/32 | 6           |
| 1B6.6         | 6.95  | 6.2    | 6.6    | 11/32                                      | 5B  | SDS | 15/16  | 3/32 | 6           |
| 1B6.8         | 7.15  | 6.4    | 6.8    | 11/32                                      | 5B  | SDS | 15/16  | 3/32 | 6           |
| 1B7.0         | 7.35  | 6.6    | 7.0    | 15/32                                      | 5B  | SDS | 15/16  | 5/32 | 6           |
| 1B7.4         | 7.75  | 7.0    | 7.4    | 15/32                                      | 6A  | SDS | 15/16  | 5/32 | 6           |
| 1B8.0         | 8.35  | 7.6    | 8.0    | 15/32                                      | 6A  | SDS | 15/16  | 5/32 | 7           |
| 1B8.6         | 8.95  | 8.2    | 8.6    | 15/32                                      | 6A  | SDS | 15/16  | 5/32 | 8           |
| 1B9.0         | 9.35  | 8.6    | 9.0    | 15/32                                      | 6A  | SDS | 15/16  | 5/32 | 9           |
| 1B9.4         | 9.75  | 9.0    | 9.4    | 15/32                                      | 6A  | SDS | 15/16  | 5/32 | 9           |
| 1B11.0        | 11.35 | 10.6   | 11.0   | 15/32                                      | 6A  | SDS | 15/16  | 5/32 | 11          |
| 1B12.4        | 12.75 | 12.0   | 12.4   | 15/32                                      | 6A  | SDS | 15/16  | 5/32 | 12          |
| 1B13.6        | 13.95 | 13.2   | 13.6   | 15/32                                      | 6A  | SDS | 15/16  | 5/32 | 13          |
| 1B15.4        | 15.75 | 15.0   | 15.4   | 27/32                                      | 5A  | SK  | 115/16 | 3/32 | 20          |
| 1B16.0        | 16.35 | 15.6   | 16.0   | 27/32                                      | 5A  | SK  | 115/16 | 3/32 | 22          |
| 1B18.4        | 18.75 | 18.0   | 18.4   | 27/32                                      | 5A  | SK  | 115/16 | 3/32 | 28          |
| 1B20.0        | 20.35 | 19.6   | 20.0   | 27/32                                      | 5A  | SK  | 115/16 | 3/32 | 30          |
| 1B25.0        | 25.35 | 24.6   | 25.0   | 27/32                                      | 5A  | SK  | 115/16 | 3/32 | 40          |

L, H and E: Pulley dimensions vary according to shaft tolerance

B: QD Bushing type

T: Type. Suffix indicates construction : A = arms; B = block; W = web

**Caution**

Do not use these grey cast iron pulleys with rim speeds exceeding 6500 feet/min.

## A/B COMBINATION PULLEYS

### 2 GROOVES

| 2 grooves (in) |       |        |        |            |     |     |        |       |             |
|----------------|-------|--------|--------|------------|-----|-----|--------|-------|-------------|
| Part no.       | O.D.  | P.D.   |        | F = 2 1/2" |     |     |        |       |             |
|                |       | A belt | B belt | H          | T   | B   | L      | E     | Weight (lb) |
| 2B3.4          | 3.75  | 3.0    | 3.4    | 11/16      | 11B | SH  | 15/16  | 11/8  | 2           |
| 2B3.6          | 3.95  | 3.2    | 3.6    | 11/16      | 11B | SH  | 15/16  | 11/8  | 3           |
| 2B3.8          | 4.15  | 3.4    | 3.8    | 11/16      | 11B | SH  | 15/16  | 11/8  | 3           |
| 2B4.0          | 4.35  | 3.6    | 4.0    | 11/16      | 11B | SH  | 15/16  | 11/8  | 3           |
| 2B4.2          | 4.55  | 3.8    | 4.2    | 1/32       | 1B  | SH  | 15/16  | 13/32 | 3           |
| 2B4.4          | 4.75  | 4.0    | 4.4    | 1/32       | 1B  | SH  | 15/16  | 13/32 | 4           |
| 2B4.6          | 4.95  | 4.2    | 4.6    | 3/32       | 1B  | SDS | 15/16  | 11/32 | 4           |
| 2B4.8          | 5.15  | 4.4    | 4.8    | 3/32       | 1B  | SDS | 15/16  | 11/32 | 4           |
| 2B5.0          | 5.35  | 4.6    | 5.0    | 3/32       | 1B  | SDS | 15/16  | 11/32 | 5           |
| 2B5.2          | 5.55  | 4.8    | 5.2    | 3/32       | 1B  | SDS | 15/16  | 11/32 | 5           |
| 2B5.4          | 5.75  | 5.0    | 5.4    | 3/32       | 1B  | SDS | 15/16  | 11/32 | 6           |
| 2B5.6          | 5.95  | 5.2    | 5.6    | 3/32       | 1B  | SDS | 15/16  | 11/32 | 6           |
| 2B5.8          | 6.15  | 5.4    | 5.8    | 3/32       | 1B  | SDS | 15/16  | 11/32 | 6           |
| 2B6.0          | 6.35  | 5.6    | 6.0    | 3/32       | 1W  | SDS | 15/16  | 11/32 | 6           |
| 2B6.2          | 6.55  | 5.8    | 6.2    | 3/32       | 1W  | SDS | 15/16  | 11/32 | 7           |
| 2B6.4          | 6.75  | 6.0    | 6.4    | 3/32       | 1W  | SDS | 15/16  | 11/32 | 7           |
| 2B6.6          | 6.95  | 6.2    | 6.6    | 3/32       | 1W  | SDS | 15/16  | 11/32 | 8           |
| 2B6.8          | 7.15  | 6.4    | 6.8    | 3/32       | 1W  | SDS | 15/16  | 11/32 | 8           |
| 2B7.0          | 7.35  | 6.6    | 7.0    | 11/32      | 6W  | SK  | 115/16 | 5/32  | 9           |
| 2B7.4          | 7.75  | 7.0    | 7.4    | 11/32      | 6W  | SK  | 115/16 | 5/32  | 10          |
| 2B8.0          | 8.35  | 7.6    | 8.0    | 11/32      | 6W  | SK  | 115/16 | 5/32  | 11          |
| 2B8.6          | 8.95  | 8.2    | 8.6    | 11/32      | 6A  | SK  | 115/16 | 5/32  | 12          |
| 2B9.0          | 9.35  | 8.6    | 9.0    | 11/32      | 6A  | SK  | 115/16 | 5/32  | 12          |
| 2B9.4          | 9.75  | 9.0    | 9.4    | 11/32      | 6A  | SK  | 115/16 | 5/32  | 13          |
| 2B11.0         | 11.35 | 10.6   | 11.0   | 11/32      | 6A  | SK  | 115/16 | 5/32  | 15          |
| 2B12.4         | 12.75 | 12.0   | 12.4   | 11/32      | 6A  | SK  | 115/16 | 5/32  | 18          |
| 2B13.6         | 13.95 | 13.2   | 13.6   | 11/32      | 6A  | SK  | 115/16 | 5/32  | 24          |
| 2B15.4         | 15.75 | 15.0   | 15.4   | 11/32      | 6A  | SK  | 115/16 | 5/32  | 25          |
| 2B16.0         | 16.35 | 15.6   | 16.0   | 11/32      | 6A  | SK  | 115/16 | 5/32  | 25          |
| 2B18.4         | 18.75 | 18.0   | 18.4   | 11/32      | 6A  | SK  | 115/16 | 5/32  | 38          |
| 2B20.0         | 20.35 | 19.6   | 20.0   | 15/32      | 6A  | SF  | 2 1/16 | 5/32  | 47          |
| 2B25.0         | 25.35 | 24.6   | 25.0   | 15/32      | 6A  | SF  | 2 1/16 | 5/32  | 60          |
| 2B30.0         | 30.35 | 29.6   | 30.0   | 15/32      | 6A  | SF  | 2 1/16 | 5/32  | 75          |
| 2B38.0         | 38.35 | 37.6   | 38.0   | 15/32      | 6A  | SF  | 2 1/16 | 5/32  | 100         |

L, H and E: Pulley dimensions vary according to shaft tolerance

B: QD Bushing type

T: Type. Suffix indicates construction : A = arms; B = block; W = web

#### Caution

Do not use these grey cast iron pulleys with rim speeds exceeding 6500 feet/min.

## A/B COMBINATION PULLEYS

### 3 GROOVES

| 3 grooves (in) |       |        |        |            |     |    |        |       |             |
|----------------|-------|--------|--------|------------|-----|----|--------|-------|-------------|
| Part no.       | O.D.  | P.D.   |        | F = 2 1/2" |     |    |        |       |             |
|                |       | A belt | B belt | H          | T   | B  | L      | E     | Weight (lb) |
| 3B3.4          | 3.75  | 3.0    | 3.4    | 11/16      | 11B | SH | 15/16  | 1 7/8 | 3           |
| 3B3.6          | 3.95  | 3.2    | 3.6    | 11/16      | 11B | SH | 15/16  | 1 7/8 | 4           |
| 3B3.8          | 4.15  | 3.4    | 3.8    | 11/16      | 11B | SH | 15/16  | 1 7/8 | 4           |
| 3B4.0          | 4.35  | 3.6    | 4.0    | 11/16      | 11B | SH | 15/16  | 1 7/8 | 4           |
| 3B4.2          | 4.55  | 3.8    | 4.2    | 15/32      | 1B  | SH | 15/16  | 23/32 | 4           |
| 3B4.4          | 4.75  | 4.0    | 4.4    | 15/32      | 1B  | SH | 15/16  | 23/32 | 5           |
| 3B4.6          | 4.95  | 4.2    | 4.6    | 15/32      | 1B  | SD | 113/16 | 7/32  | 5           |
| 3B4.8          | 5.15  | 4.4    | 4.8    | 15/32      | 1B  | SD | 113/16 | 7/32  | 6           |
| 3B5.0          | 5.35  | 4.6    | 5.0    | 15/32      | 1B  | SD | 113/16 | 7/32  | 7           |
| 3B5.2          | 5.55  | 4.8    | 5.2    | 15/32      | 1B  | SD | 113/16 | 7/32  | 7           |
| 3B5.4          | 5.75  | 5.0    | 5.4    | 15/32      | 1B  | SD | 113/16 | 7/32  | 8           |
| 3B5.6          | 5.95  | 5.2    | 5.6    | 15/32      | 1B  | SD | 113/16 | 7/32  | 9           |
| 3B5.8          | 6.15  | 5.4    | 5.8    | 15/32      | 1W  | SD | 113/16 | 7/32  | 9           |
| 3B6.0          | 6.35  | 5.6    | 6.0    | 15/32      | 1W  | SD | 113/16 | 7/32  | 10          |
| 3B6.2          | 6.55  | 5.8    | 6.2    | 15/32      | 1W  | SD | 113/16 | 7/32  | 10          |
| 3B6.4          | 6.75  | 6.0    | 6.4    | 15/32      | 1W  | SD | 113/16 | 7/32  | 10          |
| 3B6.6          | 6.95  | 6.2    | 6.6    | 15/32      | 1W  | SD | 113/16 | 7/32  | 10          |
| 3B6.8          | 7.15  | 6.4    | 6.8    | 15/32      | 1W  | SD | 113/16 | 7/32  | 11          |
| 3B7.0          | 7.35  | 6.6    | 7.0    | 3/32       | 6W  | SK | 115/16 | 21/32 | 12          |
| 3B7.4          | 7.75  | 7.0    | 7.4    | 3/32       | 6W  | SK | 115/16 | 21/32 | 12          |
| 3B8.0          | 8.35  | 7.6    | 8.0    | 3/32       | 6W  | SK | 115/16 | 21/32 | 13          |
| 3B8.6          | 8.95  | 8.2    | 8.6    | 3/32       | 6A  | SK | 115/16 | 21/32 | 14          |
| 3B9.0          | 9.35  | 8.6    | 9.0    | 3/32       | 6A  | SK | 115/16 | 21/32 | 15          |
| 3B9.4          | 9.75  | 9.0    | 9.4    | 3/32       | 6A  | SK | 115/16 | 21/32 | 17          |
| 3B11.0         | 11.35 | 10.6   | 11.0   | 3/32       | 6A  | SK | 115/16 | 21/32 | 21          |
| 3B12.4         | 12.75 | 12.0   | 12.4   | 3/32       | 6A  | SK | 115/16 | 21/32 | 25          |
| 3B13.6         | 13.95 | 13.2   | 13.6   | 3/32       | 6A  | SK | 115/16 | 21/32 | 28          |
| 3B15.4         | 15.75 | 15.0   | 15.4   | 3/32       | 6A  | SK | 115/16 | 21/32 | 30          |
| 3B16.0         | 16.35 | 15.6   | 16.0   | 3/32       | 6A  | SK | 115/16 | 21/32 | 32          |
| 3B18.4         | 18.75 | 18.0   | 18.4   | 3/32       | 6A  | SK | 115/16 | 21/32 | 41          |
| 3B20.0         | 20.35 | 19.6   | 20.0   | 7/32       | 6A  | SF | 2 1/16 | 21/32 | 54          |
| 3B25.0         | 25.35 | 24.6   | 25.0   | 7/32       | 6A  | SF | 2 1/16 | 21/32 | 67          |
| 3B30.0         | 30.35 | 29.6   | 30.0   | 7/32       | 6A  | SF | 2 1/16 | 21/32 | 86          |
| 3B38.0         | 38.35 | 37.6   | 38.0   | 1/2        | 6A  | E  | 2 3/4  | 1/4   | 122         |

L, H and E: Pulley dimensions vary according to shaft tolerance

B: QD Bushing type

T: Type. Suffix indicates construction : A = arms; B = block; W = web

#### Caution

Do not use these grey cast iron pulleys with rim speeds exceeding 6500 feet/min.



## A/B COMBINATION PULLEYS

### 4 GROOVES

| 4 grooves (in) |       |        |        |            |     |    |         |         |             |
|----------------|-------|--------|--------|------------|-----|----|---------|---------|-------------|
| Part no.       | O.D.  | P.D.   |        | F = 3 1/4" |     |    |         |         |             |
|                |       | A belt | B belt | H          | T   | B  | L       | E       | Weight (lb) |
| 4B3.4          | 3.75  | 3.0    | 3.4    | 29/32      | 10B | SH | 1 13/16 | 2 11/32 | 4           |
| 4B3.6          | 3.95  | 3.2    | 3.6    | 29/32      | 10B | SH | 1 13/16 | 2 11/32 | 5           |
| 4B3.8          | 4.15  | 3.4    | 3.8    | 29/32      | 10B | SH | 1 13/16 | 2 11/32 | 6           |
| 4B4.0          | 4.35  | 3.6    | 4.0    | 11/16      | 11B | SH | 1 13/16 | 2 1/8   | 5           |
| 4B4.2          | 4.55  | 3.8    | 4.2    | 11/16      | 11B | SH | 1 13/16 | 2 1/8   | 6           |
| 4B4.4          | 4.75  | 4.0    | 4.4    | 11/16      | 11B | SH | 1 13/16 | 2 1/8   | 6           |
| 4B4.6          | 4.95  | 4.2    | 4.6    | 23/32      | 1B  | SD | 1 13/16 | 23/32   | 7           |
| 4B4.8          | 5.15  | 4.4    | 4.8    | 23/32      | 1B  | SD | 1 13/16 | 23/32   | 8           |
| 4B5.0          | 5.35  | 4.6    | 5.0    | 23/32      | 1B  | SD | 1 13/16 | 23/32   | 8           |
| 4B5.2          | 5.55  | 4.8    | 5.2    | 23/32      | 1B  | SD | 1 13/16 | 23/32   | 9           |
| 4B5.4          | 5.75  | 5.0    | 5.4    | 23/32      | 1B  | SD | 1 13/16 | 23/32   | 10          |
| 4B5.6          | 5.95  | 5.2    | 5.6    | 23/32      | 1B  | SD | 1 13/16 | 23/32   | 10          |
| 4B5.8          | 6.15  | 5.4    | 5.8    | 23/32      | 1W  | SD | 1 13/16 | 23/32   | 11          |
| 4B6.0          | 6.35  | 5.6    | 6.0    | 23/32      | 1W  | SD | 1 13/16 | 23/32   | 11          |
| 4B6.2          | 6.55  | 5.8    | 6.2    | 23/32      | 1W  | SD | 1 13/16 | 23/32   | 12          |
| 4B6.4          | 6.75  | 6.0    | 6.4    | 23/32      | 1W  | SD | 1 13/16 | 23/32   | 11          |
| 4B6.6          | 6.95  | 6.2    | 6.6    | 23/32      | 1W  | SD | 1 13/16 | 23/32   | 11          |
| 4B6.8          | 7.15  | 6.4    | 6.8    | 23/32      | 1W  | SD | 1 13/16 | 23/32   | 12          |
| 4B7.0          | 7.35  | 6.6    | 7.0    | 7/32       | 1W  | SK | 1 15/16 | 13/32   | 13          |
| 4B7.4          | 7.75  | 7.0    | 7.4    | 7/32       | 1W  | SK | 1 15/16 | 13/32   | 15          |
| 4B8.0          | 8.35  | 7.6    | 8.0    | 7/32       | 1W  | SK | 1 15/16 | 13/32   | 15          |
| 4B8.6          | 8.95  | 8.2    | 8.6    | 7/32       | 1A  | SK | 1 15/16 | 13/32   | 17          |
| 4B9.0          | 9.35  | 8.6    | 9.0    | 7/32       | 1A  | SK | 1 15/16 | 13/32   | 17          |
| 4B9.4          | 9.75  | 9.0    | 9.4    | 7/32       | 1A  | SK | 1 15/16 | 13/32   | 19          |
| 4B11.0         | 11.35 | 10.6   | 11.0   | 7/32       | 1A  | SK | 1 15/16 | 13/32   | 25          |
| 4B12.4         | 12.75 | 12.0   | 12.4   | 7/32       | 1A  | SK | 1 15/16 | 13/32   | 28          |
| 4B13.6         | 13.95 | 13.2   | 13.6   | 7/32       | 1A  | SK | 1 15/16 | 13/32   | 32          |
| 4B15.4         | 15.75 | 15.0   | 15.4   | 5/32       | 1A  | SF | 2 1/16  | 11/32   | 38          |
| 4B16.0         | 16.35 | 15.6   | 16.0   | 5/32       | 1A  | SF | 2 1/16  | 11/32   | 41          |
| 4B18.4         | 18.75 | 18.0   | 18.4   | 5/32       | 1A  | SF | 2 1/16  | 11/32   | 56          |
| 4B20.0         | 20.35 | 19.6   | 20.0   | 5/32       | 1A  | SF | 2 1/16  | 11/32   | 60          |
| 4B25.0         | 25.35 | 24.6   | 25.0   | -1/8       | 1A  | E  | 2 3/4   | 5/8     | 75          |
| 4B30.0         | 30.35 | 29.6   | 30.0   | -1/8       | 1A  | E  | 2 3/4   | 5/8     | 120         |
| 4B38.0         | 38.35 | 37.6   | 38.0   | -1/8       | 1A  | E  | 2 3/4   | 5/8     | 127         |

L, H and E: Pulley dimensions vary according to shaft tolerance

B: QD Bushing type

T: Type. Suffix indicates construction : A = arms; B = block; W = web

#### Caution

Do not use these grey cast iron pulleys with rim speeds exceeding 6500 feet/min.

## A/B COMBINATION PULLEYS

### 5 GROOVES

| 5 grooves (in) |       |        |        |        |     |    |         |         |             |
|----------------|-------|--------|--------|--------|-----|----|---------|---------|-------------|
| Part no.       | O.D.  | P.D.   |        | F = 4" |     |    |         |         |             |
|                |       | A belt | B belt | H      | T   | B  | L       | E       | Weight (lb) |
| 5B3.4          | 3.75  | 3.0    | 3.4    | 29/32  | 10B | SD | 1 13/16 | 3 3/32  | 5           |
| 5B3.6          | 3.95  | 3.2    | 3.6    | 29/32  | 10B | SD | 1 13/16 | 3 3/32  | 6           |
| 5B3.8          | 4.15  | 3.4    | 3.8    | 29/32  | 10B | SD | 1 13/16 | 3 3/32  | 6           |
| 5B4.0          | 4.35  | 3.6    | 4.0    | 11/16  | 11B | SD | 1 13/16 | 2 7/8   | 6           |
| 5B4.2          | 4.55  | 3.8    | 4.2    | 11/16  | 11B | SD | 1 13/16 | 2 7/8   | 7           |
| 5B4.4          | 4.75  | 4.0    | 4.4    | 11/16  | 11B | SD | 1 13/16 | 2 7/8   | 7           |
| 5B4.6          | 4.95  | 4.2    | 4.6    | 23/32  | 1B  | SD | 1 13/16 | 1 15/32 | 7           |
| 5B4.8          | 5.15  | 4.4    | 4.8    | 23/32  | 1B  | SD | 1 13/16 | 1 15/32 | 9           |
| 5B5.0          | 5.35  | 4.6    | 5.0    | 23/32  | 1B  | SD | 1 13/16 | 1 15/32 | 10          |
| 5B5.2          | 5.55  | 4.8    | 5.2    | 23/32  | 1W  | SD | 1 13/16 | 1 15/32 | 10          |
| 5B5.4          | 5.75  | 5.0    | 5.4    | 23/32  | 1W  | SK | 1 15/16 | 1 17/32 | 10          |
| 5B5.6          | 5.95  | 5.2    | 5.6    | 17/32  | 1W  | SK | 1 15/16 | 1 17/32 | 11          |
| 5B5.8          | 6.15  | 5.4    | 5.8    | 17/32  | 1W  | SK | 1 15/16 | 1 17/32 | 12          |
| 5B6.0          | 6.35  | 5.6    | 6.0    | 17/32  | 1W  | SK | 1 15/16 | 1 17/32 | 12          |
| 5B6.2          | 6.55  | 5.8    | 6.2    | 17/32  | 1W  | SK | 1 15/16 | 1 17/32 | 14          |
| 5B6.4          | 6.75  | 6.0    | 6.4    | 17/32  | 1W  | SK | 1 15/16 | 1 17/32 | 14          |
| 5B6.6          | 6.95  | 6.2    | 6.6    | 17/32  | 1W  | SK | 1 15/16 | 1 17/32 | 15          |
| 5B6.8          | 7.15  | 6.4    | 6.8    | 17/32  | 1W  | SK | 1 15/16 | 1 17/32 | 16          |
| 5B7.0          | 7.35  | 6.6    | 7.0    | 15/32  | 1W  | SF | 2 1/16  | 1 15/32 | 16          |
| 5B7.4          | 7.75  | 7.0    | 7.4    | 15/32  | 1W  | SF | 2 1/16  | 1 15/32 | 18          |
| 5B8.0          | 8.35  | 7.6    | 8.0    | 15/32  | 1W  | SF | 2 1/16  | 1 15/32 | 19          |
| 5B8.6          | 8.95  | 8.2    | 8.6    | 15/32  | 1W  | SF | 2 1/16  | 1 15/32 | 21          |
| 5B9.0          | 9.35  | 8.6    | 9.0    | 15/32  | 1W  | SF | 2 1/16  | 1 15/32 | 21          |
| 5B9.4          | 9.75  | 9.0    | 9.4    | 15/32  | 1A  | SF | 2 1/16  | 1 15/32 | 22          |
| 5B11.0         | 11.35 | 10.6   | 11.0   | 15/32  | 1A  | SF | 2 1/16  | 1 15/32 | 29          |
| 5B12.4         | 12.75 | 12.0   | 12.4   | 15/32  | 1A  | SF | 2 1/16  | 1 15/32 | 33          |
| 5B13.6         | 13.95 | 13.2   | 13.6   | 15/32  | 1A  | SF | 2 1/16  | 1 15/32 | 39          |
| 5B15.4         | 15.75 | 15.0   | 15.4   | 15/32  | 1A  | SF | 2 1/16  | 1 15/32 | 43          |
| 5B16.0         | 16.35 | 15.6   | 16.0   | 15/32  | 1A  | SF | 2 1/16  | 1 15/32 | 46          |
| 5B18.4         | 18.75 | 18.0   | 18.4   | 15/32  | 1A  | SF | 2 1/16  | 1 15/32 | 54          |
| 5B20.0         | 20.35 | 19.6   | 20.0   | 1/8    | 1A  | E  | 2 3/4   | 1 1/8   | 79          |
| 5B25.0         | 25.35 | 24.6   | 25.0   | 1/8    | 1A  | E  | 2 3/4   | 1 1/8   | 89          |
| 5B30.0         | 30.35 | 29.6   | 30.0   | 1/8    | 1A  | E  | 2 3/4   | 1 1/8   | 110         |
| 5B38.0         | 38.35 | 37.6   | 38.0   | 1/8    | 1A  | E  | 2 3/4   | 1 1/8   | 153         |

L, H and E: Pulley dimensions vary according to shaft tolerance

B: QD Bushing type

T: Type. Suffix indicates construction : A = arms; B = block; W = web

#### Caution

Do not use these grey cast iron pulleys with rim speeds exceeding 6500 feet/min.

## A/B COMBINATION PULLEYS

6 GROOVES

| 6 grooves (in) |       |        |        |            |     |    |         |         |             |
|----------------|-------|--------|--------|------------|-----|----|---------|---------|-------------|
| Part no.       | O.D.  | P.D.   |        | F = 4 3/4" |     |    |         |         |             |
|                |       | A belt | B belt | H          | T   | B  | L       | E       | Weight (lb) |
| 6B3.4          | 3.75  | 3.0    | 3.4    | 29/32      | 10B | SD | 1 13/16 | 3 27/32 | 6           |
| 6B3.6          | 3.95  | 3.2    | 3.6    | 29/32      | 10B | SD | 1 13/16 | 3 27/32 | 7           |
| 6B3.8          | 4.15  | 3.4    | 3.8    | 29/32      | 10B | SD | 1 13/16 | 3 27/32 | 7           |
| 6B4.0          | 4.35  | 3.6    | 4.0    | 11/16      | 11B | SD | 1 13/16 | 3 5/8   | 7           |
| 6B4.2          | 4.55  | 3.8    | 4.2    | 11/16      | 11B | SD | 1 13/16 | 3 5/8   | 8           |
| 6B4.4          | 4.75  | 4.0    | 4.4    | 11/16      | 11B | SD | 1 13/16 | 3 5/8   | 9           |
| 6B4.6          | 4.95  | 4.2    | 4.6    | 23/32      | 1W  | SD | 1 13/16 | 2 7/32  | 9           |
| 6B4.8          | 5.15  | 4.4    | 4.8    | 23/32      | 1W  | SD | 1 13/16 | 2 7/32  | 10          |
| 6B5.0          | 5.35  | 4.6    | 5.0    | 23/32      | 1W  | SD | 1 13/16 | 2 7/32  | 11          |
| 6B5.2          | 5.55  | 4.8    | 5.2    | 23/32      | 1W  | SD | 1 13/16 | 2 7/32  | 11          |
| 6B5.4          | 5.75  | 5.0    | 5.4    | 17/32      | 1W  | SK | 1 15/16 | 2 9/32  | 11          |
| 6B5.6          | 5.95  | 5.2    | 5.6    | 17/32      | 1W  | SK | 1 15/16 | 2 9/32  | 11          |
| 6B5.8          | 6.15  | 5.4    | 5.8    | 17/32      | 1W  | SK | 1 15/16 | 2 9/32  | 14          |
| 6B6.0          | 6.35  | 5.6    | 6.0    | 17/32      | 1W  | SK | 1 15/16 | 2 9/32  | 15          |
| 6B6.2          | 6.55  | 5.8    | 6.2    | 17/32      | 1W  | SK | 1 15/16 | 2 9/32  | 15          |
| 6B6.4          | 6.75  | 6.0    | 6.4    | 17/32      | 1W  | SK | 1 15/16 | 2 9/32  | 16          |
| 6B6.6          | 6.95  | 6.2    | 6.6    | 17/32      | 1W  | SK | 1 15/16 | 2 9/32  | 17          |
| 6B6.8          | 7.15  | 6.4    | 6.8    | 17/32      | 1W  | SK | 1 15/16 | 2 9/32  | 18          |
| 6B7.0          | 7.35  | 6.6    | 7.0    | 29/32      | 1W  | SF | 2 1/16  | 1 25/32 | 19          |
| 6B7.4          | 7.75  | 7.0    | 7.4    | 29/32      | 1W  | SF | 2 1/16  | 1 25/32 | 20          |
| 6B8.0          | 8.35  | 7.6    | 8.0    | 29/32      | 1W  | SF | 2 1/16  | 1 25/32 | 24          |
| 6B8.6          | 8.95  | 8.2    | 8.6    | 29/32      | 1W  | SF | 2 1/16  | 1 25/32 | 26          |
| 6B9.0          | 9.35  | 8.6    | 9.0    | --         | --  | -- | --      | --      | --          |
| 6B9.4          | 9.75  | 9.0    | 9.4    | 29/32      | 1A  | SF | 2 1/16  | 1 25/32 | 30          |
| 6B11.0         | 11.35 | 10.6   | 11.0   | 29/32      | 1A  | SF | 2 1/16  | 1 25/32 | 30          |
| 6B12.4         | 12.75 | 12.0   | 12.4   | 29/32      | 1A  | SF | 2 1/16  | 1 25/32 | 37          |
| 6B13.6         | 13.95 | 13.2   | 13.6   | 29/32      | 1A  | SF | 2 1/16  | 1 25/32 | 39          |
| 6B15.4         | 15.75 | 15.0   | 15.4   | 29/32      | 1A  | SF | 2 1/16  | 1 25/32 | 43          |
| 6B16.0         | 16.35 | 15.6   | 16.0   | 29/32      | 1A  | SF | 2 1/16  | 1 25/32 | 50          |
| 6B18.4         | 18.75 | 18.0   | 18.4   | 29/32      | 1A  | SF | 2 1/16  | 1 25/32 | 59          |
| 6B20.0         | 20.35 | 19.6   | 20.0   | 1/4        | 1A  | E  | 2 3/4   | 1 3/4   | 80          |
| 6B25.0         | 25.35 | 24.6   | 25.0   | 1/4        | 1A  | E  | 2 3/4   | 1 3/4   | 89          |
| 6B30.0         | 30.35 | 29.6   | 30.0   | 1/4        | 1A  | E  | 2 3/4   | 1 3/4   | 127         |
| 6B38.0         | 38.35 | 37.6   | 38.0   | 1/4        | 1A  | E  | 2 3/4   | 1 3/4   | 157         |

L, H and E: Pulley dimensions vary according to shaft tolerance

B: QD Bushing type

T: Type. Suffix indicates construction : A = arms; B = block; W = web

**Caution**

Do not use these grey cast iron pulleys with rim speeds exceeding 6500 feet/min.

## A/B COMBINATION PULLEYS

7 GROOVES

| 7 grooves (in) |       |        |        |            |    |    |         |         |             |
|----------------|-------|--------|--------|------------|----|----|---------|---------|-------------|
| Part no.       | O.D.  | P.D.   |        | F = 5 1/2" |    |    |         |         |             |
|                |       | A belt | B belt | H          | T  | B  | L       | E       | Weight (lb) |
| 7B5.4          | 5.75  | 5.0    | 5.4    | 11/32      | 1W | SK | 1 15/16 | 2 17/32 | 13          |
| 7B5.6          | 5.95  | 5.2    | 5.6    | 11/32      | 1W | SK | 1 15/16 | 2 17/32 | 15          |
| 7B5.8          | 6.15  | 5.4    | 5.8    | 11/32      | 1W | SK | 1 15/16 | 2 17/32 | 15          |
| 7B6.0          | 6.35  | 5.6    | 6.0    | 31/32      | 1W | SF | 2 1/16  | 2 15/32 | 14          |
| 7B6.2          | 6.55  | 5.8    | 6.2    | 31/32      | 1W | SF | 2 1/16  | 2 15/32 | 16          |
| 7B6.4          | 6.75  | 6.0    | 6.4    | 31/32      | 1W | SF | 2 1/16  | 2 15/32 | 17          |
| 7B6.6          | 6.95  | 6.2    | 6.6    | 31/32      | 1W | SF | 2 1/16  | 2 15/32 | 17          |
| 7B6.8          | 7.15  | 6.4    | 6.8    | 31/32      | 1W | SF | 2 1/16  | 2 15/32 | 18          |
| 7B7.0          | 7.35  | 6.6    | 7.0    | 31/32      | 1W | SF | 2 1/16  | 2 15/32 | 20          |
| 7B7.4          | 7.75  | 7.0    | 7.4    | 31/32      | 1W | SF | 2 1/16  | 2 15/32 | 23          |
| 7B8.0          | 8.35  | 7.6    | 8.0    | --         | -- | -- | --      | --      | --          |
| 7B8.6          | 8.95  | 8.2    | 8.6    | 7/8        | 1W | E  | 2 3/4   | 1 7/8   | 31          |
| 7B9.0          | 9.35  | 8.6    | 9.0    | 7/8        | 1W | E  | 2 3/4   | 1 7/8   | 34          |
| 7B9.4          | 9.75  | 9.0    | 9.4    | 7/8        | 1W | E  | 2 3/4   | 1 7/8   | 36          |
| 7B11.0         | 11.35 | 10.6   | 11.0   | 7/8        | 1A | E  | 2 3/4   | 1 7/8   | 42          |
| 7B12.4         | 12.75 | 12.0   | 12.4   | 7/8        | 1A | E  | 2 3/4   | 1 7/8   | 49          |
| 7B13.6         | 13.95 | 13.2   | 13.6   | 7/8        | 1A | E  | 2 3/4   | 1 7/8   | 57          |
| 7B15.4         | 15.75 | 15.0   | 15.4   | 7/8        | 1A | E  | 2 3/4   | 1 7/8   | 70          |
| 7B16.0         | 16.35 | 15.6   | 16.0   | 5/32       | 1A | F  | 3 5/8   | 1 23/32 | 80          |
| 7B18.4         | 18.75 | 18.0   | 18.4   | 5/32       | 1A | F  | 3 5/8   | 1 23/32 | 97          |
| 7B20.0         | 20.35 | 19.6   | 20.0   | 5/32       | 1A | F  | 3 5/8   | 1 23/32 | 117         |
| 7B25.0         | 25.35 | 24.6   | 25.0   | 5/32       | 1A | F  | 3 5/8   | 1 23/32 | 155         |
| 7B30.0         | 30.35 | 29.6   | 30.0   | 5/32       | 1A | F  | 3 5/8   | 1 23/32 | 205         |

L, H and E: Pulley dimensions vary according to shaft tolerance

B: QD Bushing type

T: Type. Suffix indicates construction : A = arms; B = block; W = web

**Caution**

Do not use these grey cast iron pulleys with rim speeds exceeding 6500 feet/min.

# A/B COMBINATION PULLEYS

8 GROOVES

| Part no. | O.D.  | 8 grooves (in) |        |       |    |            |         |         | Weight (lb) |
|----------|-------|----------------|--------|-------|----|------------|---------|---------|-------------|
|          |       | P.D.           |        | H     | T  | F = 6 1/4" |         |         |             |
|          |       | A belt         | B belt |       |    | B          | L       | E       |             |
| 8B5.4    | 5.75  | 5.0            | 5.4    | 11/32 | 1W | SK         | 1 15/16 | 3 9/32  | 15          |
| 8B5.6    | 5.95  | 5.2            | 5.6    | 11/32 | 1W | SK         | 1 15/16 | 3 9/32  | 15          |
| 8B5.8    | 6.15  | 5.4            | 5.8    | 11/32 | 1W | SF         | 2 1/16  | 3 9/32  | 16          |
| 8B6.0    | 6.35  | 5.6            | 6.0    | 29/32 | 1W | SF         | 2 1/16  | 3 9/32  | 16          |
| 8B6.2    | 6.55  | 5.8            | 6.2    | 29/32 | 1W | SF         | 2 1/16  | 3 9/32  | 18          |
| 8B6.4    | 6.75  | 6.0            | 6.4    | 29/32 | 1W | SF         | 2 1/16  | 3 9/32  | 19          |
| 8B6.6    | 6.95  | 6.2            | 6.6    | 29/32 | 1W | SF         | 2 1/16  | 3 9/32  | 20          |
| 8B6.8    | 7.15  | 6.4            | 6.8    | 29/32 | 1W | SF         | 2 1/16  | 3 9/32  | 19          |
| 8B7.0    | 7.35  | 6.6            | 7.0    | 29/32 | 1W | SF         | 2 1/16  | 3 9/32  | 22          |
| 8B7.4    | 7.75  | 7.0            | 7.4    | 29/32 | 1W | SF         | 2 1/16  | 3 9/32  | 25          |
| 8B8.0    | 8.35  | 7.6            | 8.0    | 1 1/4 | 1W | E          | 2 3/4   | 2 1/4   | 29          |
| 8B8.6    | 8.95  | 8.2            | 8.6    | 1 1/4 | 1W | E          | 2 3/4   | 2 1/4   | 33          |
| 8B9.0    | 9.35  | 8.6            | 9.0    | 1 1/4 | 1W | E          | 2 3/4   | 2 1/4   | 36          |
| 8B9.4    | 9.75  | 9.0            | 9.4    | 1 1/4 | 1W | E          | 2 3/4   | 2 1/4   | 46          |
| 8B11.0   | 11.35 | 10.6           | 11.0   | 1 1/4 | 1A | E          | 2 3/4   | 2 1/4   | 53          |
| 8B12.4   | 12.75 | 12.0           | 12.4   | 1 1/4 | 1A | E          | 2 3/4   | 2 1/4   | 59          |
| 8B13.6   | 13.95 | 13.2           | 13.6   | 1 1/4 | 1A | E          | 2 3/4   | 2 1/4   | 69          |
| 8B15.4   | 15.75 | 15.0           | 15.4   | 1 1/4 | 1A | E          | 2 3/4   | 2 1/4   | 71          |
| 8B16.0   | 16.35 | 15.6           | 16.0   | 5/32  | 1A | F          | 3 5/8   | 2 15/32 | 108         |
| 8B18.4   | 18.75 | 18.0           | 18.4   | 5/32  | 1A | F          | 3 5/8   | 2 15/32 | 114         |
| 8B20.0   | 20.35 | 19.6           | 20.0   | 5/32  | 1A | F          | 3 5/8   | 2 15/32 | 125         |
| 8B25.0   | 25.35 | 24.6           | 25.0   | 5/32  | 1A | F          | 3 5/8   | 2 15/32 | 165         |
| 8B30.0   | 30.35 | 29.6           | 30.0   | 5/32  | 1A | F          | 3 5/8   | 2 15/32 | 215         |

L, H and E: Pulley dimensions vary according to shaft tolerance

B: QD Bushing type

T: Type. Suffix indicates construction : A = arms; B = block; W = web

**Caution**

Do not use these grey cast iron pulleys with rim speeds exceeding 6500 feet/min.



CONTRIBUTING TO PEOPLE'S QUALITY OF LIFE, EVERY DAY.





## TIMING PULLEYS

- Type 1 (with guard) and type 2 (without guard)
- Bushing or fixed bore
- 10 to 96 teeth
- Outside diameter of up to 290.30





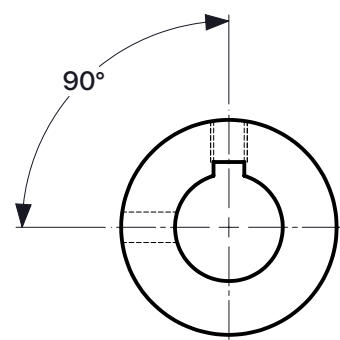
# TIMING PULLEYS

## TIMING PULLEYS

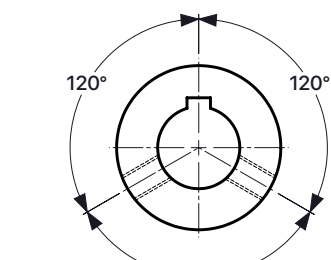
| Part no. | Type   | No. of teeth | O.D.  | P.D.  | F.D. | H  | F  | L  | Stock bore | Max. bore w/kw and S.S. (in) |          | S.S. size  |
|----------|--------|--------------|-------|-------|------|----|----|----|------------|------------------------------|----------|------------|
|          |        |              | mm    | mm    | mm   | mm | mm | mm |            | in                           | 90° S.S. |            |
| 10L050   | 1 or 2 | 10           | 29.56 | 30.33 | 37.0 | 23 | 19 | 28 | 5/16       | 7/16                         | 1/2      | 1/4-28 UNF |
| 11L050   | 1 or 2 | 11           | 32.59 | 33.35 | 37.0 | 23 | 19 | 30 | 5/16       | 7/16                         | 1/2      | 1/4-28 UNF |
| 12L050   | 1 or 2 | 12           | 35.62 | 36.37 | 43.0 | 29 | 19 | 30 | 5/16       | 9/16                         | 3/4      | 1/4-28 UNF |
| 13L050   | 1 or 2 | 13           | 38.65 | 39.41 | 43.0 | 29 | 19 | 30 | 5/16       | 9/16                         | 3/4      | 1/4-28 UNF |
| 14L050   | 1 or 2 | 14           | 41.68 | 42.44 | 48.0 | 35 | 19 | 30 | 3/8        | 13/16                        | 1        | 1/4-28 UNF |
| 15L050   | 1 or 2 | 15           | 44.72 | 45.48 | 51.0 | 35 | 19 | 30 | 3/8        | 13/16                        | 1        | 1/4-28 UNF |
| 16L050   | 1 or 2 | 16           | 47.75 | 48.51 | 54.0 | 40 | 19 | 32 | 3/8        | 13/16                        | 1 3/16   | 1/4-28 UNF |
| 17L050   | 1 or 2 | 17           | 50.78 | 51.54 | 57.0 | 40 | 19 | 32 | 3/8        | 13/16                        | 1 3/16   | 1/4-20 UNC |
| 18L050   | 1 or 2 | 18           | 53.81 | 54.59 | 60.0 | 40 | 19 | 32 | 3/8        | 13/16                        | 1 3/16   | 1/4-20 UNC |
| 19L050   | 1 or 2 | 19           | 56.84 | 57.61 | 64.0 | 40 | 19 | 32 | 3/8        | 13/16                        | 1 3/16   | 1/4-20 UNC |
| 20L050   | 1 or 2 | 20           | 59.88 | 60.63 | 66.5 | 40 | 19 | 32 | 3/8        | 13/16                        | 1 3/16   | 1/4-20 UNC |
| 21L050   | 1 or 2 | 21           | 62.91 | 63.68 | 70.0 | 45 | 19 | 32 | 3/8        | 11/16                        | 15/16    | 1/4-20 UNC |
| 22L050   | 1 or 2 | 22           | 65.94 | 66.70 | 75.0 | 45 | 19 | 32 | 3/8        | 11/16                        | 15/16    | 1/4-20 UNC |
| 23L050   | 1 or 2 | 23           | 68.97 | 69.73 | 79.0 | 55 | 19 | 32 | 3/8        | 13/8                         | 1 3/4    | 1/4-20 UNC |
| 24L050   | 1 or 2 | 24           | 72.00 | 72.77 | 79.0 | 55 | 19 | 32 | 3/8        | 13/8                         | 1 3/4    | 1/4-20 UNC |
| 25L050   | 1 or 2 | 25           | 75.04 | 75.80 | 82.5 | 58 | 19 | 32 | 3/8        | 11/2                         | 1 7/8    | 1/4-20 UNC |
| 26L050   | 1 or 2 | 26           | 78.07 | 78.84 | 86.0 | 58 | 19 | 32 | 1/2        | 11/2                         | 1 7/8    | 1/4-20 UNC |
| 27L050   | 1 or 2 | 27           | 81.10 | 81.86 | 87.0 | 58 | 19 | 32 | 1/2        | 11/2                         | 1 7/8    | 1/4-20 UNC |
| 28L050   | 1 or 2 | 28           | 84.13 | 84.89 | 91.0 | 58 | 19 | 32 | 1/2        | 11/2                         | 1 7/8    | 1/4-20 UNC |

Dimension "H" for pulleys 10L050 to 16L050 is a max. hub diameter.

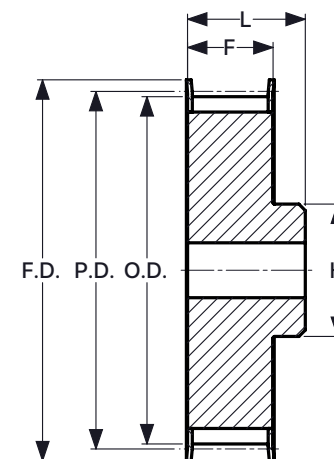
If flange is required (type 1 & 5), add "F" at the end of part number.



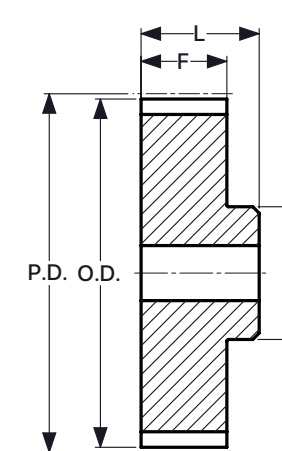
90° S.S.



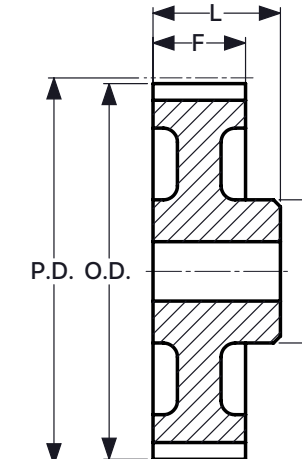
120° S.S.



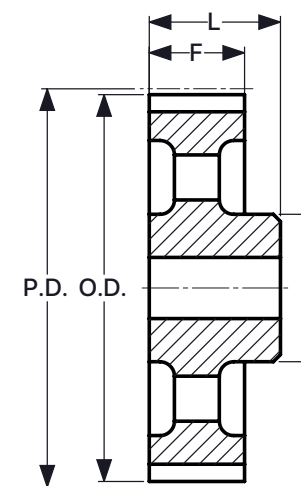
Type 1  
(Mat'l: SAE 1045)



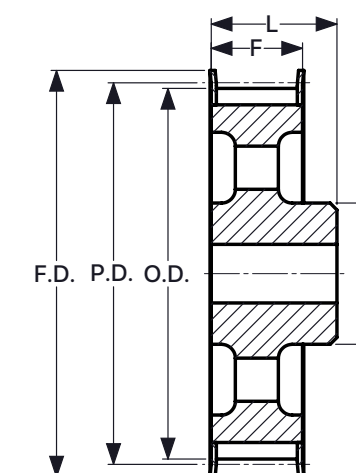
Type 2  
(Mat'l: SAE 1045)



Type 3  
(Mat'l: SAE 1045)



Type 4  
(Mat'l: Cast iron)



Type 5  
(Mat'l: Cast iron)

## TIMING PULLEYS

## TIMING PULLEYS

| Part no. | Type   | No. of teeth | O.D.   | P.D.   | F.D. | H  | F  | L  | Stock bore | Max. bore w/kw and S.S. (in) |          | S.S. size  |
|----------|--------|--------------|--------|--------|------|----|----|----|------------|------------------------------|----------|------------|
|          |        |              | mm     | mm     | mm   | mm | mm | mm |            | in                           | 90° S.S. | 120° S.S.  |
| 30L050   | 1 or 2 | 30           | 90.20  | 90.96  | 97   | 70 | 19 | 32 | 1/2        | 1 13/16                      | 2 1/4    | 1/4-20 UNC |
| 32L050   | 1 or 2 | 32           | 96.26  | 97.03  | 102  | 70 | 19 | 32 | 1/2        | 1 13/16                      | 2 1/4    | 1/4-20 UNC |
| 33L050   | 1 or 2 | 33           | 99.29  | 100.05 | 106  | 70 | 19 | 32 | 1/2        | 1 13/16                      | 2 1/4    | 1/4-20 UNC |
| 34L050   | 1 or 2 | 34           | 103.32 | 103.08 | 112  | 70 | 19 | 32 | 1/2        | 1 13/16                      | 2 1/4    | 1/4-20 UNC |
| 35L050   | 1 or 2 | 35           | 105.35 | 106.12 | 112  | 70 | 19 | 32 | 1/2        | 1 13/16                      | 2 1/4    | 1/4-20 UNC |
| 36L050   | 1 or 2 | 36           | 108.39 | 109.14 | 115  | 70 | 19 | 32 | 1/2        | 1 13/16                      | 2 1/4    | 1/4-20 UNC |
| 40L050   | 1 or 2 | 40           | 120.51 | 121.29 | 128  | 70 | 19 | 32 | 1/2        | 1 13/16                      | 2 1/4    | 1/4-20 UNC |
| 42L050   | 1 or 2 | 42           | 126.57 | 127.34 | 135  | 70 | 19 | 32 | 1/2        | 1 13/16                      | 2 1/4    | 1/4-20 UNC |
| 44L050   | 1 or 2 | 44           | 132.64 | 133.40 | 142  | 70 | 19 | 32 | 1/2        | 1 13/16                      | 2 1/4    | 1/4-20 UNC |
| 45L050   | 1 or 2 | 45           | 135.67 | 136.44 | 142  | 70 | 19 | 32 | 1/2        | 1 13/16                      | 2 1/4    | 1/4-20 UNC |
| 48L050   | 1 or 2 | 48           | 144.77 | 145.54 | 150  | 70 | 19 | 32 | 1/2        | 1 13/16                      | 2 1/4    | 1/4-20 UNC |
| 50L050   | 4      | 50           | 150.83 | 151.60 | -    | 70 | 19 | 32 | 9/16       | 1 13/16                      | 2 1/4    | 1/4-20 UNC |
| 56L050   | 4      | 56           | 169.02 | 169.79 | -    | 70 | 19 | 32 | 9/16       | 1 13/16                      | 2 1/4    | 1/4-20 UNC |
| 57L050   | 4      | 57           | 172.06 | 172.82 | -    | 70 | 19 | 32 | 9/16       | 1 13/16                      | 2 1/4    | 1/4-20 UNC |
| 60L050   | 4      | 60           | 181.15 | 181.92 | -    | 75 | 19 | 42 | 9/16       | 2                            | 2 7/16   | 1/4-20 UNC |
| 68L050   | 4      | 68           | 205.41 | 206.18 | -    | 75 | 19 | 42 | 9/16       | 2                            | 2 7/16   | 1/4-20 UNC |
| 70L050   | 4      | 70           | 211.47 | 212.24 | -    | 75 | 19 | 42 | 9/16       | 2                            | 2 7/16   | 1/4-20 UNC |
| 72L050   | 4      | 75           | 217.53 | 218.29 | -    | 75 | 19 | 42 | 9/16       | 2                            | 2 7/16   | 1/4-20 UNC |
| 84L050   | 4      | 84           | 253.92 | 254.69 | -    | 75 | 19 | 42 | 9/16       | 2                            | 2 7/16   | 1/4-20 UNC |
| 96L050   | 4      | 96           | 290.30 | 291.06 | -    | 75 | 19 | 42 | 9/16       | 2                            | 2 7/16   | 1/4-20 UNC |

If flange is required (type 1 & 5), add "F" at the end of part number.

These tables represent only a sample of the part numbers Canimex can provide.

Contact us for information on all timing pulley models not included in this table.



## TIMING PULLEYS

## QD BUSHING

| Bushing   | Dimensions<br>in (mm) |           |           |           |          |         |         |           |           |
|-----------|-----------------------|-----------|-----------|-----------|----------|---------|---------|-----------|-----------|
|           | A                     | B         | D         | E         | F        | G       | H       | L         | M         |
| L         | 11/32                 | 15/8      | 2 1/2     | 1         | 29/32    | 3/16    | 3/32    | 1 11/32   | 2         |
|           | (8.71)                | (41.275)  | (63.5)    | (25.4)    | (23.018) | (4.76)  | (2.38)  | (24.13)   | (50.8)    |
| JA        | 5/16                  | 13/8      | 2         | 11/16     | 5/8      | 13/64   | 9/64    | 1         | 1 21/32   |
|           | (7.93)                | (34.92)   | (50.8)    | (17.46)   | (0.625)  | (5.15)  | (3.57)  | (25.4)    | (42.06)   |
| SH        | 3/8                   | 1 7/8     | 2 11/16   | 7/8       | 3/4      | 1/4     | 1/8     | 1 1/4     | 2 1/4     |
|           | (9.52)                | (47.62)   | (68.26)   | (22.22)   | (19.05)  | (6.35)  | (3.175) | (31.75)   | (57.15)   |
| SDS       | 7/16                  | 2 3/16    | 3 3/16    | 7/8       | 3/4      | 1/4     | 1/8     | 1 5/16    | 2 11/16   |
|           | (11.11)               | (55.56)   | (80.96)   | (22.22)   | (19.05)  | (6.35)  | (3.175) | (33.33)   | (68.26)   |
| SD        | 7/16                  | 2 3/16    | 3 3/16    | 1 3/8     | 1 1/4    | 1/4     | 1/8     | 1 13/16   | 2 11/16   |
|           | (11.11)               | (55.56)   | (80.96)   | (34.92)   | (31.75)  | (6.35)  | (3.175) | (46.03)   | (68.26)   |
| SK        | 1/2                   | 2 3/16    | 3 7/8     | 1 3/8     | 1 1/4    | 5/16    | 3/16    | 1 7/8     | 3 5/16    |
|           | (12.7)                | (55.56)   | (98.42)   | (34.92)   | (31.75)  | (7.93)  | (4.76)  | (47.62)   | (84.13)   |
| SF        | 1/2                   | 1 3/8     | 4 5/8     | 1 1/2     | 1 1/4    | 5/16    | 1/16    | 2         | 3 7/8     |
|           | (12.7)                | (34.92)   | (15.87)   | (38.1)    | (31.75)  | (7.93)  | (1.58)  | (50.8)    | (98.42)   |
| E         | 3/4                   | 3 27/32   | 6         | 1 7/8     | 1 5/8    | 5/16    | 1/16    | 2 5/8     | 5         |
|           | (19.05)               | (21.43)   | (152.4)   | (47.6)    | (41.27)  | (7.93)  | (1.58)  | (66.67)   | (127)     |
| F         | 13/16                 | 4 7/16    | 6 5/8     | 2 13/16   | 2 1/2    | 13/32   | 3/32    | 3 5/8     | 5 5/8     |
|           | (4.74)                | (112.699) | (168.275) | (71.42)   | (63.5)   | (10.31) | (2.36)  | (92.75)   | (142.875) |
| J         | 1                     | 5 5/32    | 7 1/4     | 3 1/2     | 3 3/16   | 13/32   | 3/32    | 4 1/2     | 6 1/4     |
|           | (25.4)                | (130.96)  | (184.15)  | (88.9)    | (80.97)  | (10.31) | (2.36)  | (114.3)   | (158.75)  |
| M         | 1 1/4                 | 6 1/2     | 9 1/8     | 5 1/2     | 5 3/16   | 13/32   | 3/32    | 6 3/4     | 7 7/8     |
|           | (31.75)               | (165.1)   | (231.775) | (139.7)   | (131.7)  | (10.31) | (2.36)  | (171.45)  | (200.025) |
| N         | 1 1/2                 | 7         | 10        | 6 5/8     | 6 1/4    | 9/16    | 3/16    | 8 1/8     | 8 1/2     |
|           | (38.1)                | (177.8)   | (254)     | (168.27)  | (158.75) | (14.28) | (4.76)  | (206.375) | (215.9)   |
| P         | 1 3/4                 | 8 1/4     | 11 3/4    | 7 5/8     | 7 1/4    | 5/8     | 1/4     | 9 3/8     | 10        |
|           | (44.45)               | (209.55)  | (298.45)  | (193.67)  | (184.15) | (15.87) | (6.35)  | (238.125) | (254)     |
| W         | 2                     | 10 7/16   | 15        | 9 3/8     | 9        | 5/8     | 1/4     | 11 3/8    | 12 3/4    |
|           | (50.8)                | (265.11)  | (381)     | (238.12)  | (228.6)  | (15.87) | (6.35)  | (288.925) | (323.85)  |
| S         | 3 1/4                 | 12 1/8    | 17 3/4    | 12 1/2    | 12       | 13/16   | 5/16    | 15 3/4    | 15        |
|           | (82.55)               | (307.975) | (450.85)  | (317.5)   | (304.8)  | (20.63) | (7.93)  | (400.05)  | (381)     |
| SX5**     | 3 1/4                 | 12 1/2    | 17 3/4    | 12 1/2    | 12       | 13/16   | 5/16    | 15 3/4    | 15        |
|           | (82.55)               | (317.5)   | (450.85)  | (317.5)   | (304.8)  | (20.63) | (7.93)  | (400.05)  | (381)     |
| SX7-1/2** | 3 1/4                 | 12 1/8    | 17 3/4    | 12 1/2    | 12       | 13/16   | 5/16    | 15 3/4    | 15        |
|           | (82.55)               | (307.975) | (450.85)  | (317.5)   | (304.8)  | (20.63) | (7.93)  | (400.05)  | (381)     |
| Z         | 2 5/8                 | 16        | 22        | 9 3/8     | 9        | 3/4     | 3/8     | 12        | 19        |
|           | (66.67)               | (406.4)   | (558)     | (238.125) | (228.6)  | (19.05) | (9.52)  | (304.8)   | (482.6)   |

| Cap screws required<br>NC grade 5 | Set screw dimensions | Bore range<br>in (mm) |                    |
|-----------------------------------|----------------------|-----------------------|--------------------|
|                                   |                      | in                    | Max.               |
| 2=1/4X7/8                         | 10-24 UNC x 1/4      | 3/8<br>(9.52)         | 1 1/2<br>(38.1)    |
| 3=10-24X1                         | 10-24 UNC x 1/4      | 1/2<br>(12.7)         | 1 1/4<br>(31.75)   |
| 3=1/4X1-3/8                       | 1/4-20 UNC x 1/4     | 1/2<br>(12.7)         | 1-11/16<br>(42.86) |
| 3=1/4X1-3/8                       | 1/4-20 UNC x 1/4     | 1/2<br>(12.7)         | 2<br>(50.8)        |
| 3=1/4X1-3/8                       | 1/4-20 UNC x 1/4     | 1/2<br>(12.7)         | 2<br>(50.8)        |
| 3=5/16X2                          | 1/4-20 UNC x 1/4     | 1/2<br>(12.7)         | 2 5/8<br>(66.67)   |
| 3=3/8X2                           | 5/16-18 UNC x 3/8    | 1/2<br>(12.7)         | 2 15/16<br>(74.61) |
| 3=1/2X2-3/4                       | 3/8-16 UNC X 3/8     | 7/8<br>(22.22)        | 3 1/2<br>(88.9)    |
| 3=9/16X3-5/8                      | 3/8-16 UNC X 3/8     | 1<br>(25.4)           | 4<br>(101.6)       |
| 3=5/8X4-1/2                       | 3/8-16 UNC X 3/8     | 1 7/16<br>(36.51)     | 4 1/2<br>(114.3)   |
| 4=3/4x7                           | 3/8-16 UNC x 1/2     | 2<br>(50.8)           | 5 1/2<br>(139.7)   |
| 4=7/8X8                           | 1/2-13 UNC x 5/8     | 2 3/4<br>(69.85)      | 6<br>(152.4)       |
| 4=1X9-1/2                         | 5/8-11 UNC x 1 1/4   | 2 15/16<br>(74.61)    | 7<br>(177.8)       |
| 4=1-1/8X11-1/2                    | 1-8 UNC X 1 1/2      | 4 1/4<br>(107.95)     | 8 1/2<br>(215.9)   |
| 5=1-1/4X15-1/2                    | 1-1/4-7 UNC X 2      | 5 1/2<br>(139.7)      | 10<br>(254)        |
| 5=1-1/4X15-1/2                    | 1-1/4-7 UNC X 2      | ---                   | ---                |
| 5=1-1/4X15-1/2                    | 1-1/4-7 UNC X 2      | ---                   | ---                |
| 5=1-1/4X12                        | 1-8 UNC X 1/2        | 7<br>(177.8)          | 12<br>(304.8)      |

## QD BUSHING PROPER TORQUE WRENCH

- Many different types
- Length open end from 4" to 30"
- Torque capacity of up to 625,000 lb-in





# QD BUSHING PROPER TORQUE WRENCH

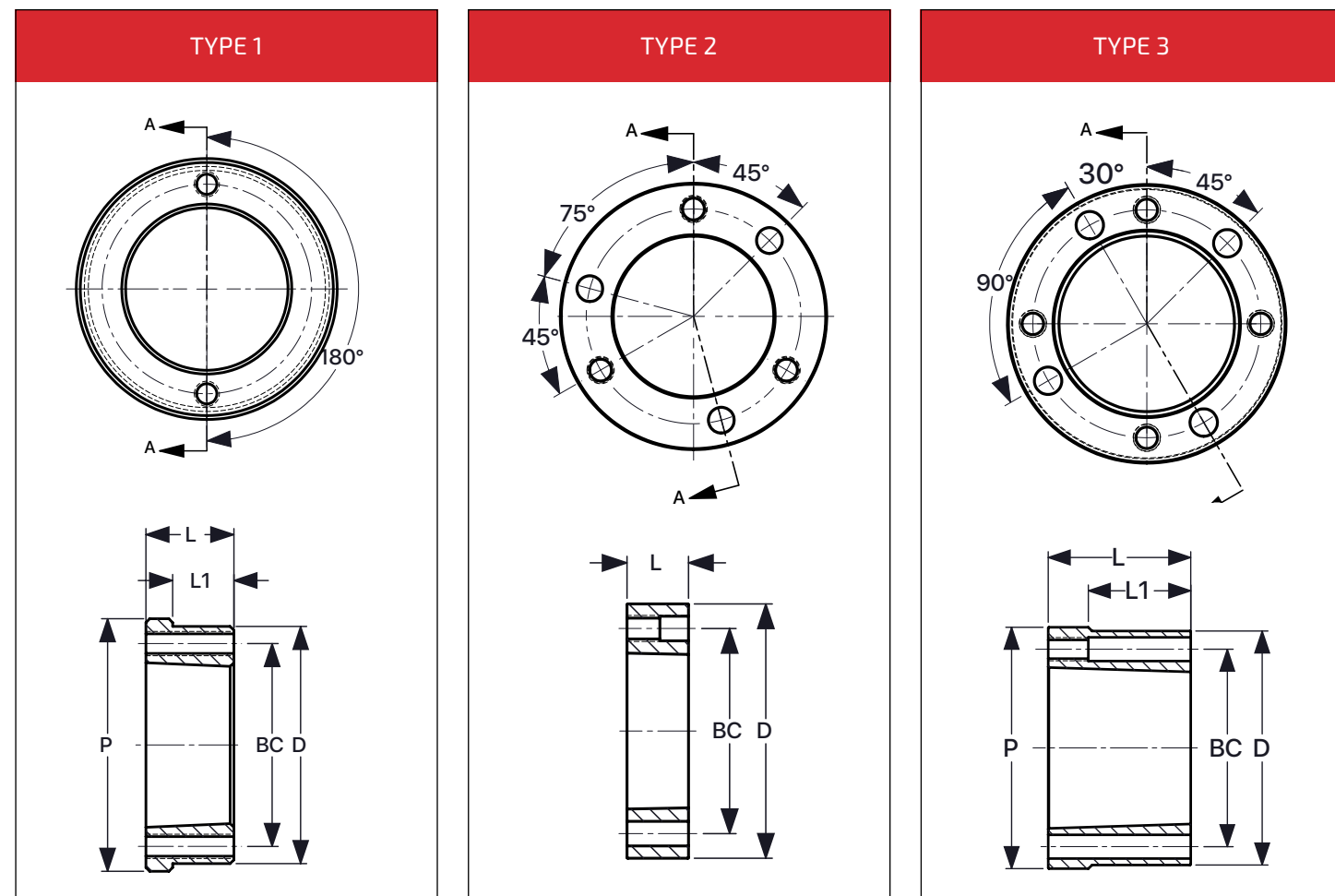
## QD WELD-ON HUBS

| Part no.       | Fits bushing | Type | Dimensions (in) |      |       |      |         | Bore range      | Weight |
|----------------|--------------|------|-----------------|------|-------|------|---------|-----------------|--------|
|                |              |      | D*              | L    | P     | L1   | BC      |                 |        |
| H-L            | L            | 1    | 2.375           | 0.88 | 2.50  | 0.17 | 2       | 3/8 to 11/2     | 0.6    |
| H-CL           | L            | 1    | 2.375           | 0.88 | 2.50  | 0.63 | 2       | 3/8 to 11/2     | 0.6    |
| H-JA           | JA           | 2    | 2.250           | 0.56 | ---   | ---  | 1 21/32 | 1/2 to 11/4     | 0.4    |
| H-SH           | SH           | 2    | 3.000           | 0.81 | ---   | ---  | 2 1/4   | 1/2 to 111/16   | 1      |
| H-SDS          | SDS          | 2    | 3.500           | 0.75 | ---   | ---  | 2 11/16 | 1/2 to 2        | 1.2    |
| H-SK           | SK           | 2    | 4.375           | 1.25 | ---   | ---  | 3 5/16  | 1/2 to 2 5/8    | 3      |
| H-SF           | SF           | 2    | 5.000           | 1.25 | ---   | ---  | 3 7/8   | 1/2 to 2 15/16  | 4      |
| H-E            | E            | 2    | 6.250           | 1.63 | ---   | ---  | 5       | 7/8 to 3 1/2    | 8.3    |
| H-F            | F            | 2    | 7.000           | 2.50 | ---   | ---  | 5 5/8   | 1 to 4          | 15.5   |
| H-J            | J            | 2    | 7.750           | 3.19 | ---   | ---  | 6 1/4   | 1 7/16 to 4 1/2 | 22.7   |
| H-M            | M            | 3    | 9.250           | 5.19 | 9.50  | 3.56 | 7 7/8   | 2 to 5 1/2      | 50     |
| H-N            | N            | 3    | 10.250          | 6.25 | 10.50 | 4.50 | 8 1/2   | 2 3/4 to 6      | 77     |
| H-P $\diamond$ | P            | 2    | 13.000          | 7.25 | ---   | ---  | 10      | 2 15/16 to 7    | 155    |
| H-W $\diamond$ | W            | 2    | 15.500          | 9.00 | ---   | ---  | 12 3/4  | 4 1/4 to 8 1/2  | 260    |

Mounting: Type 1: Reverse mount only Type 2 & 3: Standard and reverse mount  $\diamond$ : Standard mount only

\*Tolerance: H-L and H-CL = (+0.001"/-0.005") H-JA thru H-J = (+0.000"/-0.002") H-M thru H-W = (+0.000"/-0.003")

Parts on demand only



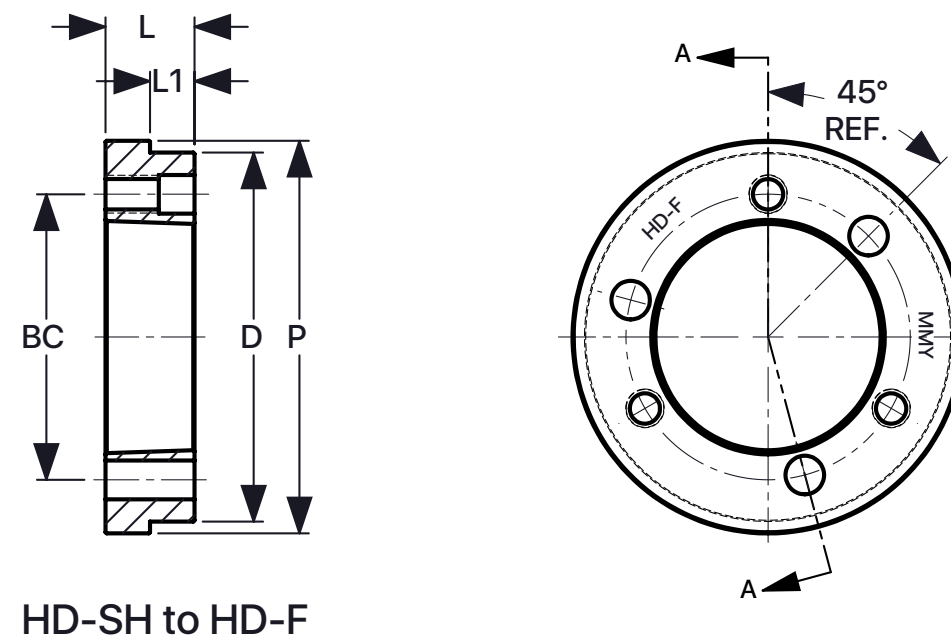
# QD BUSHING PROPER TORQUE WRENCH

## QD WELD-ON HUBS

| Part no. | Fits bushing | Dimensions (in) |       |       |       |         | Bore range     | Weight |
|----------|--------------|-----------------|-------|-------|-------|---------|----------------|--------|
|          |              | D*              | L     | P     | L1    | BC      |                |        |
| HD-SH    | SH           | 2.8125          | 0.750 | 3.063 | 0.375 | 2 1/4   | 1/2 to 111/16  | 0.87   |
| HD-SDS   | SDS          | 3.375           | 0.750 | 3.625 | 0.375 | 2 11/16 | 1/2 to 2       | 1.27   |
| HD-SK    | SK           | 4.375           | 1.125 | 4.750 | 0.500 | 3 5/16  | 1/2 to 2 5/8   | 3.34   |
| HD-SF    | SF           | 5.000           | 1.250 | 5.250 | 0.625 | 3 7/8   | 1/2 to 2 15/16 | 4.67   |
| HD-E     | E            | 6.250           | 1.500 | 6.500 | 0.875 | 5       | 7/8 to 3 1/2   | 8.72   |
| HD-F     | F            | 6.625           | 1.750 | 6.938 | 1.063 | 5 5/8   | 1 to 4         | 10.3   |

\*Tolerance = +0.000"/-0.002"

Parts on demand only



# BUSHINGS

---

- Convenience and design flexibility
- Precision machined quality steel
- Many different QD bushing types
- 3/8" to 7 7/16" bore range



# TABLE OF CONTENTS

---

## QD BUSHINGS

|   |     |
|---|-----|
| QD bushings .....                       | 346 |
| Technical information .....             | 348 |
| Standard stock bore (inches) .....      | 349 |
| Standard stock bore (millimeters) ..... | 352 |

## SPLIT TAPER BUSHINGS

|                                    |     |
|------------------------------------|-----|
| Splitter taper bushings .....      | 356 |
| Standard stock bore (inches) ..... | 358 |

## TAPER LOCK BUSHINGS

|   |     |
|---|-----|
| Taper lock bushings .....               | 362 |
| Service factor .....                    | 363 |
| Standard stock bore (inches) .....      | 364 |
| Standard stock bore (millimeters) ..... | 366 |
| Technical information .....             | 367 |

## QD BUSHINGS

- L (“H” reference)
- JA to J inclusive
- M to W inclusive
- S



# QD BUSHINGS

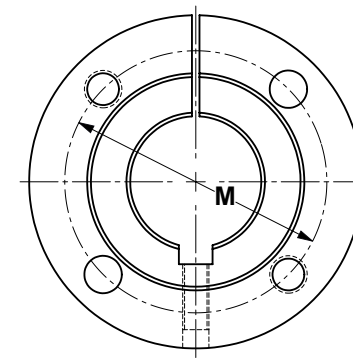
## QD BUSHINGS

| Bushing  | Dimensions (in) |         |         |         |        |       |      |         |         |
|----------|-----------------|---------|---------|---------|--------|-------|------|---------|---------|
|          | A               | B       | D       | E       | F      | G     | H    | L       | M       |
| L        | 11/32           | 15/8    | 2 1/2   | 1       | 29/32  | 3/16  | 3/32 | 1 11/32 | 2       |
| JA       | 5/16            | 13/8    | 2       | 11/16   | 5/8    | 13/64 | 9/64 | 1       | 1 21/32 |
| SH       | 3/8             | 17/8    | 2 11/16 | 7/8     | 3/4    | 1/4   | 1/8  | 1 1/4   | 2 1/4   |
| SDS      | 7/16            | 2 3/16  | 3 3/16  | 7/8     | 3/4    | 1/4   | 1/8  | 1 5/16  | 2 11/16 |
| SD       | 7/16            | 2 3/16  | 3 3/16  | 13/8    | 1 1/4  | 1/4   | 1/8  | 1 13/16 | 2 11/16 |
| SK       | 1/2             | 2 3/16  | 3 7/8   | 1 3/8   | 1 1/4  | 5/16  | 3/16 | 1 7/8   | 3 5/16  |
| SF       | 1/2             | 3 1/8   | 4 5/8   | 1 1/2   | 1 1/4  | 5/16  | 1/16 | 2       | 3 7/8   |
| E        | 3/4             | 3 27/32 | 6       | 1 7/8   | 1 5/8  | 5/16  | 1/16 | 2 5/8   | 5       |
| F        | 13/16           | 4 7/16  | 6 5/8   | 2 13/16 | 2 1/2  | 13/32 | 3/32 | 3 5/8   | 5 5/8   |
| J        | 1               | 5 5/32  | 7 1/4   | 3 1/2   | 3 3/16 | 13/32 | 3/32 | 4 1/2   | 6 1/4   |
| M        | 1 1/4           | 6 1/2   | 9 1/8   | 5 1/2   | 5 3/16 | 13/32 | 3/32 | 6 3/4   | 7 7/8   |
| N        | 1 1/2           | 7       | 10      | 6 5/8   | 6 1/4  | 9/16  | 3/16 | 8 1/8   | 8 1/2   |
| P        | 1 3/4           | 8 1/4   | 11 3/4  | 7 5/8   | 7 1/4  | 5/8   | 1/4  | 9 3/8   | 10      |
| W        | 2               | 10 7/16 | 15      | 9 3/8   | 9      | 5/8   | 1/4  | 11 3/8  | 12 3/4  |
| S        | 3 1/4           | 12 1/8  | 17 3/4  | 12 1/2  | 12     | 13/16 | 5/16 | 15 3/4  | 15      |
| SX5*     | 3 1/4           | 12 1/2  | 17 3/4  | 12 1/2  | 12     | 13/16 | 5/16 | 15 3/4  | 15      |
| SX7-1/2* | 3 1/4           | 12 1/8  | 17 3/4  | 12 1/2  | 12     | 13/16 | 5/16 | 15 3/4  | 15      |
| Z        | 2 5/8           | 16      | 22      | 9 3/8   | 9      | 3/4   | 3/8  | 12      | 19      |

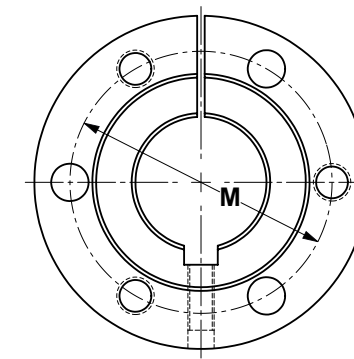
\* RB = Rough bore



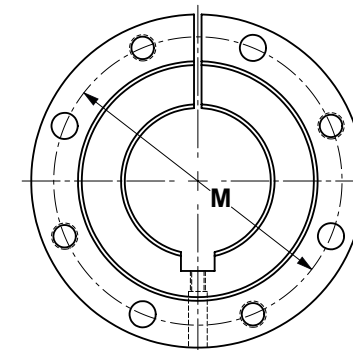
| NC grade 5 cap screws | Set screw dimensions | Bore range (in) |         |
|-----------------------|----------------------|-----------------|---------|
|                       |                      | Min.            | Max.    |
| 2= 1/4 x 7/8          | 10-24 UNC x 1/4      | 3/8             | 1 1/2   |
| 3= 10-24 x 1          | 10-24 UNC x 1/4      | 1/2             | 1 1/4   |
| 3= 1/4 x -3/8         | 1/4-20 UNC x 1/4     | 1/2             | 1 11/16 |
| 3= 1/4 x -3/8         | 1/4-20 UNC x 1/4     | 1/2             | 2       |
| 3= 1/4 x -3/8         | 1/4-20 UNC x 1/4     | 1/2             | 2       |
| 3= 5/16 x 2           | 1/4-20 UNC x 1/4     | 1/2             | 2 5/8   |
| 3= 3/8 x 2            | 5/16-18 UNC x 3/8    | 1/2             | 2 15/16 |
| 3= 1/2 x 2-3/4        | 3/8-16 UNC x 3/8     | 7/8             | 3 1/2   |
| 3= 9-16 x 3-5/8       | 3/8-16 UNC x 3/8     | 1               | 4       |
| 3= 5/8 x 4-1/2        | 3/8-16 UNC x 3/8     | 1 7/16          | 4 1/2   |
| 4= 3/4 x 7            | 3/8-16 UNC x 1/2     | 2               | 5 1/2   |
| 4= 7/8 x 8            | 1/2-13 UNC x 5/8     | 2 3/4           | 6       |
| 4= 1 x 9-1/2          | 5/8-11 UNC x 1 1/4   | 2 15/16         | 7       |
| 4= 1-1/8 x 11-1/2     | 1-8 UNC x 1 1/2      | 4 1/4           | 8 1/2   |
| 5= 1-1/4 x 15-1/2     | 1-1/4-7 UNC x 2      | 5 1/2           | 10      |
| 5= 1-1/4 x 15-1/2     | 1-1/4-7 UNC x 2      | -               | -       |
| 5= 1-1/4 x 15-1/2     | 1-1/4-7 UNC x 2      | -               | -       |
| 5= 1-1/4 x 12         | 1-8 UNC x 1/2        | 7               | 12      |



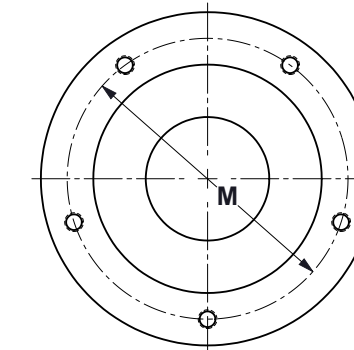
Bushing L  
("H" - Crossing Reference)



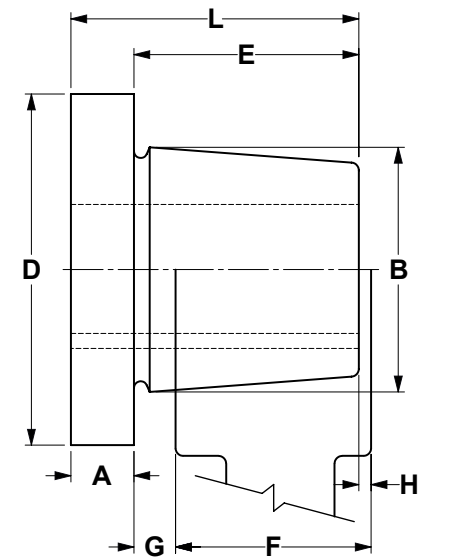
Bushing  
JA to J Inclusive



Bushing  
M to W  
Inclusive



Bushing S



Taper 3/4" per FT on  
Diameter - B -



# QD BUSHINGS

## TECHNICAL INFORMATION

### Proper wrench torque

| Bushing size | Screw size | Wrench torque | Open end or socket wrench |      | Torque capacity |
|--------------|------------|---------------|---------------------------|------|-----------------|
|              |            |               | Length                    | Pull |                 |
|              |            |               | in                        | lb   |                 |
|              | in         | lb/ft         | in                        | lb   | lb-in           |
| L            | 1/4        | 6             | 4                         | 18   | 1200            |
| JA           | #10        | 5             | 4                         | 15   | 1000            |
| SH           | 1/4        | 9             | 4                         | 27   | 3500            |
| SDS - SD     | 1/4        | 9             | 4                         | 27   | 5000            |
| SK           | 5/16       | 15            | 6                         | 30   | 7000            |
| SF           | 3/8        | 30            | 6                         | 60   | 11000           |
| E            | 1/2        | 60            | 12                        | 60   | 20000           |
| F            | 9/16       | 75            | 12                        | 75   | 30000           |
| J            | 5/8        | 135           | 15                        | 108  | 45000           |
| M            | 3/4        | 225           | 15                        | 180  | 85000           |
| N            | 7/8        | 300           | 15                        | 240  | 150000          |
| P            | 1          | 450           | 18                        | 300  | 250000          |
| W            | 1 1/8      | 600           | 24                        | 300  | 375000          |
| S            | 1 1/4      | 750           | 30                        | 300  | 625000          |
| Z            | 1 1/4      | 750           | 30                        | 300  | On request      |

# QD BUSHINGS

## STANDARD STOCK BORE (INCHES)

| Stock bore | Keyseat     | L | JA | SH | SDS | SD | SK | SF | E | F | J | M | N | P |
|------------|-------------|---|----|----|-----|----|----|----|---|---|---|---|---|---|
| in         | in          |   |    |    |     |    |    |    |   |   |   |   |   |   |
| 3/8        | NO K.S.     | X | -  | -  | -   | -  | -  | -  | - | - | - | - | - | - |
| 7/16       | NO K.S.     | X | -  | -  | -   | -  | -  | -  | - | - | - | - | - | - |
| 1/2*       | NO K.S.     | X | X  | X  | X   | X  | X  | X  | - | - | - | - | - | - |
| 1/2KW      | 1/8 x 1/16  | X | X  | X  | -   | -  | -  | -  | - | - | - | - | - | - |
| 9/16       | 1/8 x 1/16  | X | X  | X  | X   | X  | X  | X  | - | - | - | - | - | - |
| 5/8        | 3/16 x 3/32 | X | X  | X  | X   | X  | X  | X  | - | - | - | - | - | - |
| 11/16      | 3/16 x 3/32 | X | X  | X  | X   | X  | X  | X  | - | - | - | - | - | - |
| 3/4        | 3/16 x 3/32 | X | X  | X  | X   | X  | X  | X  | - | - | - | - | - | - |
| 13/16      | 3/16 x 3/32 | X | X  | X  | X   | X  | X  | X  | - | - | - | - | - | - |
| 7/8        | 3/16 x 3/32 | X | X  | X  | X   | X  | X  | X  | X | - | - | - | - | - |
| 15/16      | 1/4 x 1/8   | X | X  | X  | X   | X  | X  | X  | X | - | - | - | - | - |
| 1          | 1/4 x 1/8   | X | X  | X  | X   | X  | X  | X  | X | X | - | - | - | - |
| 1 1/16     | 1/4 x 1/8   | X | S  | X  | X   | X  | X  | X  | X | X | - | - | - | - |
| 1 1/8      | 1/4 x 1/8   | X | S  | X  | X   | X  | X  | X  | X | X | - | - | - | - |
| 1 3/16     | 1/4 x 1/8   | X | S  | X  | X   | X  | X  | X  | X | X | - | - | - | - |
| 1 1/4      | 1/4 x 1/8   | X | S  | X  | X   | X  | X  | X  | X | X | - | - | - | - |
| 1 5/16     | 5/16 x 5/32 | S | -  | X  | X   | X  | X  | X  | X | X | - | - | - | - |
| 1 3/8      | 5/16 x 5/32 | S | -  | X  | X   | X  | X  | X  | X | X | - | - | - | - |
| 1 7/16     | 3/8 x 3/16  | S | -  | S  | X   | X  | X  | X  | X | X | X | - | - | - |
| 1 1/2      | 3/8 x 3/16  | S | -  | S  | X   | X  | X  | X  | X | X | X | - | - | - |
| 1 9/16     | 3/8 x 3/16  | - | -  | S  | X   | X  | X  | X  | X | X | X | - | - | - |
| 1 5/8      | 3/8 x 3/16  | - | -  | S  | X   | X  | X  | X  | X | X | X | - | - | - |
| 1 11/16    | 3/8 x 3/16  | - | -  | N  | S   | S  | X  | X  | X | X | X | - | - | - |
| 1 3/4      | 3/8 x 3/16  | - | -  | -  | S   | S  | X  | X  | X | X | X | - | - | - |
| 1 13/16    | 1/2 x 1/4   | - | -  | -  | S   | S  | X  | X  | X | X | X | - | - | - |
| 1 7/8      | 1/2 x 1/4   | - | -  | -  | S   | S  | X  | X  | X | X | X | - | - | - |
| 1 15/16    | 1/2 x 1/4   | - | -  | -  | S   | S  | X  | X  | X | X | X | - | - | - |
| 2          | 1/2 x 1/4   | - | -  | -  | N   | N  | X  | X  | X | X | X | X | - | - |
| 2 1/16     | 1/2 x 1/4   | - | -  | -  | -   | -  | X  | X  | X | X | X | - | - | - |
| 2 1/8      | 1/2 x 1/4   | - | -  | -  | -   | -  | X  | X  | X | X | X | X | - | - |
| 2 3/16     | 1/2 x 1/4   | - | -  | -  | -   | -  | S  | X  | X | X | X | X | - | - |
| 2 1/4      | 1/2 x 1/4   | - | -  | -  | -   | -  | S  | X  | X | X | X | X | - | - |
| 2 1/4KW5/8 | 5/8 x 5/16  | - | -  | -  | -   | -  | S  | X  | X | X | - | - | - | - |
| 2 5/16     | 5/8 x 5/16  | - | -  | -  | -   | -  | S  | S  | X | X | X | - | - | - |
| 2 3/8      | 5/8 x 5/16  | - | -  | -  | -   | -  | S  | S  | X | X | X | X | - | - |
| 2 7/16     | 5/8 x 5/16  | - | -  | -  | -   | -  | S  | S  | X | X | X | X | - | - |
| 2 1/2      | 5/8 x 5/16  | - | -  | -  | -   | -  | S  | S  | X | X | X | X | - | - |
| 2 9/16     | 5/8 x 5/16  | - | -  | -  | -   | -  | N  | S  | X | X | X | X | - | - |
| 2 5/8      | 5/8 x 5/16  | - | -  | -  | -   | -  | N  | S  | X | X | X | X | X | - |
| 2 11/16    | 5/8 x 5/16  | - | -  | -  | -   | -  | -  | S  | X | X | X | X | - | - |
| 2 3/4      | 5/8 x 5/16  | - | -  | -  | -   | -  | -  | S  | X | X | X | X | X | - |
| 2 13/16    | 3/4 x 3/8   | - | -  | -  | -   | -  | -  | S  | X | X | X | X | - | - |
| 2 7/8      | 3/4 x 3/8   | - | -  | -  | -   | -  | -  | S  | X | X | X | X | - | - |
| 2 15/16    | 3/4 x 3/8   | - | -  | -  | -   | -  | -  | S  | S | X | X | X | X | X |
| 3          | 3/4 x 3/8   | - | -  | -  | -   | -  | -  | -  | S | X | X | X | X | - |
| 3 1/16     | 3/4 x 3/8   | - | -  | -  | -   | -  | -  | -  | S | X | X | - | - | - |
| 3 1/8      | 3/4 x 3/8   | - | -  | -  | -   | -  | -  | -  | S | X | X | X | - | - |
| 3 3/16     | 3/4 x 3/8   | - | -  | -  | -   | -  | -  | -  | S | X | X | X | - | X |
| 3 1/4      | 3/4 x 3/8   | - | -  | -  | -   | -  | -  | -  | S | X | X | X | X | X |

X = Stock bore, standard keyway

S = Stock bore, shallow keyway

N = Stock bore, no keyway

## QD BUSHINGS

STANDARD STOCK BORE (INCHES)

| Stock bore | Keyseat    | E | F | J | M | N | P | W | S | Z |
|------------|------------|---|---|---|---|---|---|---|---|---|
| in         | in         |   |   |   |   |   |   |   |   |   |
| 3 5/16     | 7/8 x 7/16 | S | S | X | X | X | X | - | - | - |
| 3 3/8      | 7/8 x 7/16 | S | S | X | X | X | X | - | - | - |
| 3 7/16     | 7/8 x 7/16 | S | S | X | X | X | X | - | - | - |
| 3 1/2      | 7/8 x 7/16 | S | S | X | X | X | X | - | - | - |
| 3 9/16     | 7/8 x 7/16 | - | S | X | - | - | - | - | - | - |
| 3 5/8      | 7/8 x 7/16 | - | S | X | X | X | X | - | - | - |
| 3 11/16    | 7/8 x 7/16 | - | S | X | X | X | - | - | - | - |
| 3 3/4      | 7/8 x 7/16 | - | S | X | X | X | X | - | - | - |
| 3 13/16    | 1 x 1/2    | - | S | X | X | - | - | - | - | - |
| 3 7/8      | 1 x 1/2    | - | S | S | X | X | X | - | - | - |
| 3 15/16    | 1 x 1/2    | - | S | S | X | X | X | - | - | - |
| 4          | 1 x 1/2    | - | N | S | X | X | X | - | - | - |
| 4 1/16     | 1 x 1/2    | - | - | S | - | - | - | - | - | - |
| 4 1/8      | 1 x 1/2    | - | - | S | X | X | - | - | - | - |
| 4 3/16     | 1 x 1/2    | - | - | S | X | X | X | - | - | - |
| 4 1/4      | 1 x 1/2    | - | - | S | X | X | X | X | - | - |
| 4 5/16     | 1 x 1/2    | - | - | S | X | X | X | - | - | - |
| 4 3/8      | 1 x 1/2    | - | - | S | X | X | X | - | - | - |
| 4 7/16     | 1 x 1/2    | - | - | S | X | X | X | X | - | - |
| 4 1/2      | 1 x 1/2    | - | - | S | X | X | X | - | - | - |
| 4 9/16     | 1/4 x 5/8  | - | - | - | X | X | - | - | - | - |
| 4 5/8      | 1/4 x 5/8  | - | - | - | X | X | X | X | - | - |
| 4 11/16    | 1/4 x 5/8  | - | - | - | X | X | X | X | - | - |
| 4 3/4      | 1/4 x 5/8  | - | - | - | X | X | X | X | - | - |
| 4 13/16    | 1/4 x 5/8  | - | - | - | X | X | - | - | - | - |
| 4 7/8      | 1/4 x 5/8  | - | - | - | S | X | X | X | - | - |
| 4 15/16    | 1/4 x 5/8  | - | - | - | S | X | X | X | - | - |
| 5          | 1/4 x 5/8  | - | - | - | S | X | X | X | - | - |
| 5 1/8      | 1/4 x 5/8  | - | - | - | S | S | X | - | - | - |
| 5 3/16     | 1/4 x 5/8  | - | - | - | S | S | - | - | - | - |
| 5 1/4      | 1/4 x 5/8  | - | - | - | S | S | X | X | - | - |
| 5 5/16     | 1/4 x 5/8  | - | - | - | S | S | X | - | - | - |
| 5 3/8      | 1/4 x 5/8  | - | - | - | S | S | X | - | - | - |
| 5 7/16     | 1/4 x 5/8  | - | - | - | S | S | X | X | - | - |
| 5 1/2      | 1/4 x 5/8  | - | - | - | S | S | X | X | X | - |
| 5 11/16    | 1/4 x 5/8  | - | - | - | - | S | - | X | - | - |
| 5 3/4      | 11/2 x 3/4 | - | - | - | - | S | S | X | X | - |
| 5 7/8      | 11/2 x 3/4 | - | - | - | - | S | S | X | X | - |
| 5 15/16    | 11/2 x 3/4 | - | - | - | - | S | S | X | X | - |
| 6          | 11/2 x 3/4 | - | - | - | - | S | S | X | X | - |
| 6 1/16     | 11/2 x 3/4 | - | - | - | - | - | S | - | - | - |
| 6 1/4      | 11/2 x 3/4 | - | - | - | - | - | S | X | X | - |
| 6 7/16     | 11/2 x 3/4 | - | - | - | - | - | S | X | X | - |
| 6 1/2      | 11/2 x 3/4 | - | - | - | - | - | S | X | X | - |
| 6 3/4      | 13/4 x 3/4 | - | - | - | - | - | S | X | X | - |
| 6 7/8      | 13/4 x 3/4 | - | - | - | - | - | S | X | - | - |
| 6 15/16    | 13/4 x 3/4 | - | - | - | - | - | S | X | X | - |
| 7          | 13/4 x 3/4 | - | - | - | - | - | S | X | X | - |
| 7 1/8      | 13/4 x 3/4 | - | - | - | - | - | - | X | - | - |
| 7 1/4      | 13/4 x 3/4 | - | - | - | - | - | - | X | X | - |
| 7 3/8      | 13/4 x 3/4 | - | - | - | - | - | - | X | - | - |
| 7 7/16     | 13/4 x 3/4 | - | - | - | - | - | - | X | - | - |

X = Stock bore, standard keyway

S = Stock bore, shallow keyway

N = Stock bore, no keyway

## QD BUSHINGS

STANDARD STOCK BORE (INCHES)

| Stock bore     | Keyseat     | L | JA | SH |
|----------------|-------------|---|----|----|
| in             | in          |   |    |    |
| 7 1/2          | 1 3/4 x 3/4 | X | X  | -  |
| 7 3/4          | 2 x 3/4     | S | X  | -  |
| 7 7/8          | 2 x 3/4     | - | X  | -  |
| 8              | 2 x 3/4     | S | X  | -  |
| 8 1/4          | 2 x 3/4     | S | X  | -  |
| 8 1/2          | 2 x 3/4     | S | X  | -  |
| 8 1/2KW2 X 3/8 | 2 x 3/8     | S | -  | -  |
| 8 1/2KW2 X 1   | 2 x 1       | - | X  | -  |
| 8 1/2KW2 X 3/4 | 2 x 3/4     | - | X  | -  |
| 8 3/4          | 2 x 3/4     | - | X  | -  |
| 8 7/8          | 2 x 3/4     | - | X  | -  |
| 9              | 2 x 3/4     | - | X  | -  |
| 9 1/4          | 2 1/2 x 1/2 | - | S  | -  |
| 9 3/8          | 2 1/2 x 1/2 | - | S  | -  |
| 9 1/2          | 2 1/2 x 1/2 | - | S  | -  |
| 9 3/4          | 2 1/2 x 3/8 | - | S  | -  |
| 9 3/4KW2 X 1/4 | 2 x 1/4     | - | X  | -  |
| 9 7/8          | 2 1/2 x 3/8 | - | S  | -  |
| 10             | 2 1/2 x 1/4 | - | S  | -  |
| 10 1/4         | 2 1/2 x 7/8 | - | -  | X  |
| 10 3/4         | 3 x .819    | - | -  | X  |

X = Stock bore, standard keyway

S = Stock bore, shallow keyway

N = Stock bore, no keyway



BUSHINGS

BUSHINGS

# QD BUSHINGS

STANDARD STOCK BORE (MILLIMETERS)

| Stock bore | Keyseat                  | L | JA | SH | SDS | SD | SK | SF | E | F | J | M | N | P | W |
|------------|--------------------------|---|----|----|-----|----|----|----|---|---|---|---|---|---|---|
| mm         | mm                       |   |    |    |     |    |    |    |   |   |   |   |   |   |   |
| 14MM       | 5 x 2.3                  | X | X  | X  | X   | X  | X  | -  | - | - | - | - | - | - | - |
| 15MM       | 5 x 2.3                  | X | X  | X  | X   | X  | X  | -  | - | - | - | - | - | - | - |
| 16MM       | 5 x 2.3 (6 x 2.8 for JA) | X | X  | X  | X   | X  | X  | -  | - | - | - | - | - | - | - |
| 18MM       | 6 x 2.8                  | X | X  | X  | X   | X  | X  | -  | - | - | - | - | - | - | - |
| 19MM       | 6 x 2.8                  | X | X  | X  | X   | X  | X  | -  | - | - | - | - | - | - | - |
| 20MM       | 6 x 2.8                  | X | X  | X  | X   | X  | X  | X  | - | - | - | - | - | - | - |
| 22MM       | 6 x 2.8                  | X | X  | X  | X   | X  | X  | -  | - | - | - | - | - | - | - |
| 24MM       | 8 x 3.3                  | X | S  | X  | X   | X  | X  | X  | - | - | - | - | - | - | - |
| 25MM       | 8 x 3.3                  | X | S  | X  | X   | X  | X  | X  | - | - | - | - | - | - | - |
| 28MM       | 8 x 3.3                  | X | S  | X  | X   | X  | X  | X  | - | - | - | - | - | - | - |
| 30MM       | 8 x 3.3                  | X | -  | X  | X   | X  | X  | X  | - | - | - | - | - | - | - |
| 32MM       | 10 x 3.3                 | S | -  | X  | X   | X  | X  | X  | - | - | - | - | - | - | - |
| 35MM       | 10 x 3.3                 | S | -  | X  | X   | X  | X  | X  | X | - | - | - | - | - | - |
| 38MM       | 10 x 3.3                 | - | -  | S  | X   | X  | X  | X  | X | - | - | - | - | - | - |
| 40MM       | 12 x 3.3                 | - | -  | N  | X   | X  | X  | X  | X | - | - | - | - | - | - |
| 42MM       | 12 x 3.3                 | - | -  | -  | X   | X  | X  | X  | X | - | - | - | - | - | - |
| 45MM       | 14 x 3.8                 | - | -  | -  | -   | -  | X  | X  | X | X | - | - | - | - | - |
| 48MM       | 14 x 3.8                 | - | -  | -  | -   | -  | X  | X  | X | X | - | - | - | - | - |
| 50MM       | 14 x 3.8                 | - | -  | -  | -   | -  | X  | X  | X | X | X | - | - | - | - |
| 55MM       | 16 x 4.3                 | - | -  | -  | -   | -  | X  | X  | X | X | X | - | - | - | - |
| 60MM       | 18 x 4.4                 | - | -  | -  | -   | -  | S  | X  | X | X | X | - | - | - | - |
| 65MM       | 18 x 4.4                 | - | -  | -  | -   | -  | -  | X  | X | X | X | - | - | - | - |
| 70MM       | 20 x 4.9                 | - | -  | -  | -   | -  | -  | X  | X | X | X | X | - | - | - |
| 75MM       | 20 x 4.9                 | - | -  | -  | -   | -  | -  | -  | X | X | X | X | - | - | - |
| 80MM       | 22 x 5.4                 | - | -  | -  | -   | -  | -  | -  | X | X | X | X | X | - | - |
| 85MM       | 22 x 5.4                 | - | -  | -  | -   | -  | -  | -  | X | X | X | X | - | - | - |
| 90MM       | 25 x 5.4                 | - | -  | -  | -   | -  | -  | -  | - | X | X | X | X | - | - |
| 95MM       | 25 x 5.4                 | - | -  | -  | -   | -  | -  | -  | - | X | X | X | X | - | - |
| 100MM      | 28 x 6.4                 | - | -  | -  | -   | -  | -  | -  | - | N | X | X | X | X | - |
| 110MM      | 28 x 6.4                 | - | -  | -  | -   | -  | -  | -  | - | - | S | X | X | X | - |
| 115MM      | 32 x 7.4                 | - | -  | -  | -   | -  | -  | -  | - | - | S | X | X | - | - |
| 120MM      | 32 x 7.4                 | - | -  | -  | -   | -  | -  | -  | - | - | - | X | X | X | X |
| 125MM      | 32 x 7.4                 | - | -  | -  | -   | -  | -  | -  | - | - | - | X | X | - | - |
| 130MM      | 32 x 7.4                 | - | -  | -  | -   | -  | -  | -  | - | - | - | X | X | X | - |
| 135MM      | 36 x 4.4                 | - | -  | -  | -   | -  | -  | -  | - | - | - | - | S | - | - |
| 140MM      | 36 x 8.4                 | - | -  | -  | -   | -  | -  | -  | - | - | - | - | S | X | - |
| 145MM      | 36 x 8.4                 | - | -  | -  | -   | -  | -  | -  | - | - | - | - | - | X | - |
| 150MM      | 36 x 8.4                 | - | -  | -  | -   | -  | -  | -  | - | - | - | - | S | X | - |
| 160MM      | 40 x 9.4                 | - | -  | -  | -   | -  | -  | -  | - | - | - | - | - | X | - |
| 170MM      | 40 x 4.4                 | - | -  | -  | -   | -  | -  | -  | - | - | - | - | - | S | - |

Note: All bushings up to sizes M are manufactured in ductile iron. Key not supplied for all bore sizes.

X = Stock bore, standard keyway

S = Stock bore, shallow keyway

N = Stock bore, no keyway



BUSHINGS

BUSHINGS

## SPLIT TAPER BUSHINGS

- Will hold even if fasteners become loose
- Interchangeable between manufacturers.
- Bore range for type 1 from 3/8" - 15/16" to 3 3/8" - 6 3/16"
- Bore range for type 2 from 1" to 6 1/4"- 7 7/16"





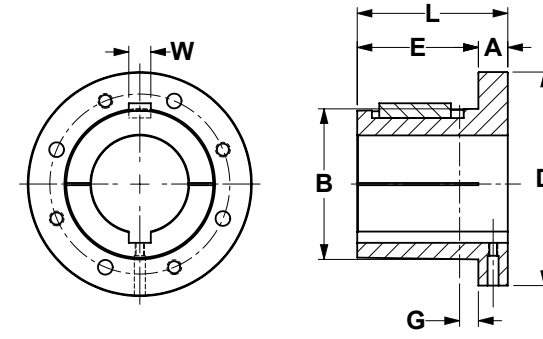
# SPLIT TAPER BUSHINGS

## SPLIT TAPER BUSHINGS

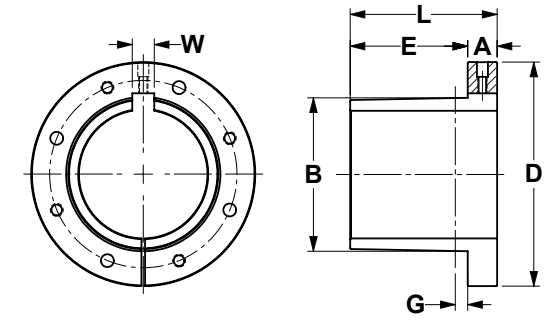
| Part no. | Dimensions (in) |         |           |           |         |       |      |
|----------|-----------------|---------|-----------|-----------|---------|-------|------|
|          | L               | E       | B         |           | D       | W     | G    |
|          |                 |         | Large end | Small end |         |       |      |
| G        | 1               | 3/4     | 1.172     | 1.133     | 2       | ---   | 3/16 |
| H        | 1 11/32         | 1       | 1.625     | 1.570     | 2 1/2   | ---   | 3/16 |
| P1       | 1 15/16         | 1 17/32 | 1.9375    | 1.8555    | 3       | 3/8   | 7/32 |
| P2       | 2 15/16         | 2 17/32 | 1.9375    | 1.7930    | 3       | 3/8   | 7/32 |
| B        | 1 15/16         | 1 7/16  | 2.625     | 2.5567    | 3 11/16 | 1/2   | 7/32 |
| Q1       | 2 1/2           | 1 31/32 | 2.875     | 2.7657    | 4 1/8   | 1/2   | 7/32 |
| Q2       | 3 1/2           | 2 31/32 | 2.875     | 2.7032    | 4 1/8   | 1/2   | 7/32 |
| R1       | 2 7/8           | 2 1/4   | 4.000     | 3.8750    | 5 3/8   | 3/4   | 1/4  |
| R2       | 4 7/8           | 4 1/4   | 4.000     | 3.7500    | 5 3/8   | 3/4   | 1/4  |
| S1       | 4 3/8           | 3 5/8   | 4.625     | 4.4180    | 6 3/8   | 3/4   | 5/16 |
| S2       | 6 3/4           | 6       | 4.625     | 4.2696    | 6 3/8   | 3/4   | 5/16 |
| U0*      | 5 1/4           | 4 3/16  | 6.000     | 5.7656    | 8 3/8   | 1 1/4 | 7/16 |
| U0*      | 4 15/16         | 4 3/16  | 6.000     | 5.7656    | 8 3/8   | 1 1/4 | 7/16 |
| U1*      | 7 1/8           | 6 1/16  | 6.000     | 5.6485    | 8 3/8   | 1 1/4 | 7/16 |
| W1*      | 8 1/4           | 6 13/16 | 8.500     | 8.1016    | 12 1/2  | 1 1/4 | 7/16 |

\*Contact us for availability

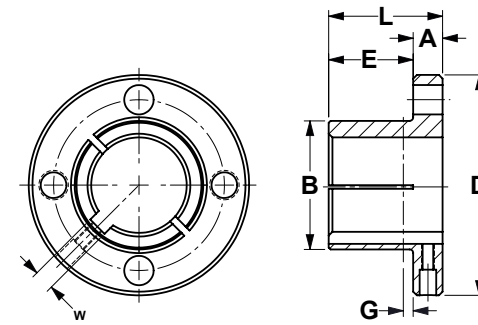
| Bore range (in)  |                 | Cap screws |                     | Avg. weight | Wrench torque |
|------------------|-----------------|------------|---------------------|-------------|---------------|
| Type 1           | Type 2          | No.        | Size                | lb          | lb-in         |
| 3/8 - 15/16      | 1               | 2          | 1/4-20 UNC x 5/8    | 0.5         | 95            |
| 3/8 - 13/8       | 1 7/16 - 1 1/2  | 2          | 1/4-20 UNC x 7/8    | 0.8         | 95            |
| 1/2 - 1 7/16     | 1 1/2 - 1 3/4   | 3          | 5/16-18 UNC x 1     | 1.3         | 192           |
| 3/4 - 1 7/16     | 1 1/2 - 1 3/4   | 3          | 5/16-18 UNC x 1     | 1.5         | 192           |
| 1/2 - 1 15/16    | 2 - 2 7/16      | 3          | 5/16-18 UNC x 1-1/4 | 1.8         | 192           |
| 5/8 - 2 1/16     | 2 1/8 - 2 11/16 | 3          | 3/8-16 UNC x 1-1/4  | 3.5         | 348           |
| 1 - 2 1/16       | 2 1/8 - 2 5/8   | 3          | 3/8-16 UNC x 1-1/4  | 4.5         | 348           |
| 1 1/8 - 2 13/16  | 2 7/8 - 3 3/4   | 3          | 3/8-16 UNC x 1-3/4  | 7.5         | 348           |
| 1 3/8 - 2 13/16  | 2 7/8 - 3 5/8   | 3          | 3/8-16 UNC x 1-3/4  | 11          | 348           |
| 1 11/16 - 3 3/16 | 3 1/4 - 4 1/4   | 3          | 1/2-13 UNC 2-1/4    | 13.5        | 840           |
| 1 7/8 - 3 3/16   | 3 1/4 - 4 3/16  | 3          | 1/2-13 UNC 2-1/4    | 19          | 840           |
| 2 3/8 - 3 3/16   | -----           | 3          | 5/8-11 UNC x 2-3/4  | 30          | 1680          |
| 3 1/4 - 4 1/4    | 4 3/8 - 5 1/2   | 3          | 5/8-11 UNC x 2-3/4  | 27          | 1680          |
| 2 3/8 - 4 1/4    | 4 3/8 - 5 1/2   | 3          | 5/8-11 UNC x 2-3/4  | 40          | 1680          |
| 3 3/8 - 6 3/16   | 6 1/4 - 7 7/16  | 4          | 3/4-10 UNC x 3      | 104         | 3000          |



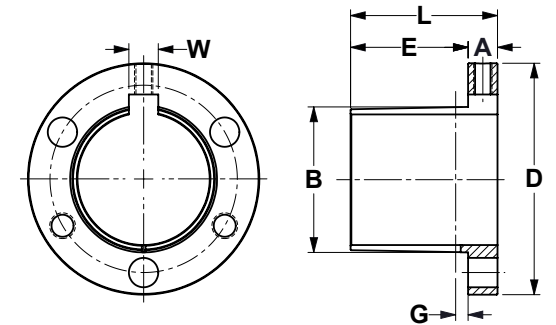
W TYPE 1



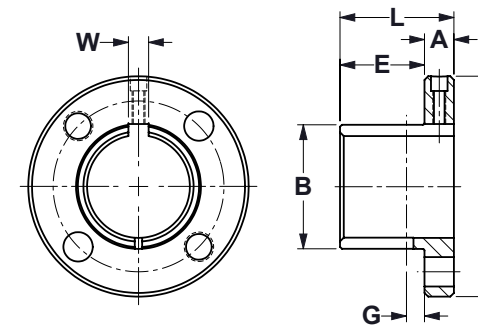
W TYPE 2



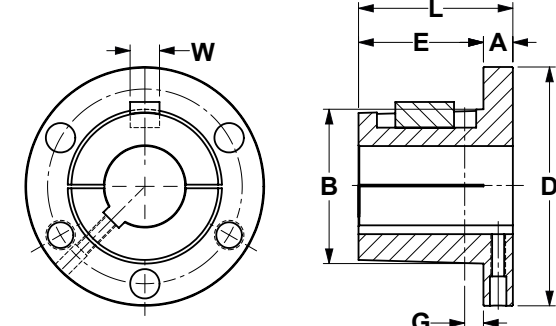
G TYPE 1



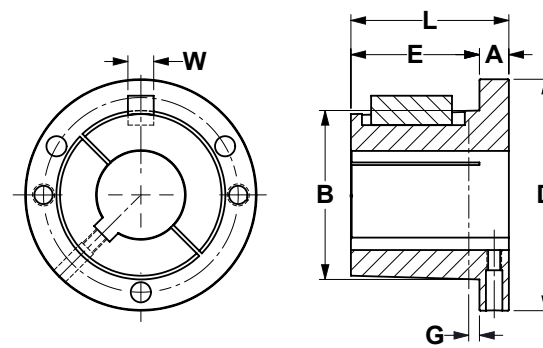
P, B, Q & R TYPE 2



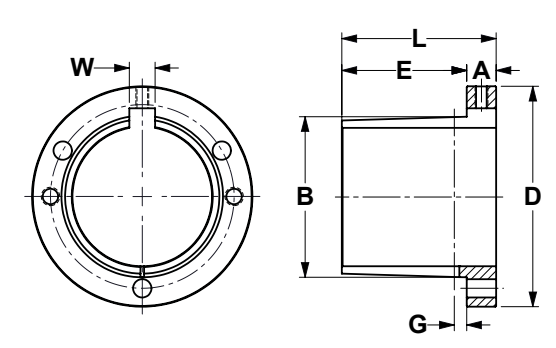
G TYPE 2



P, B, Q & R TYPE 1



S & U TYPE 1



S & U TYPE 2

# SPLIT TAPER BUSHINGS

STANDARD STOCK BORE (INCHES)

| Stock bore | Keyseat     | G | H | P1 | P2 | B | Q1 | Q2 | R1 | R2 | S1 | S2 | U0* | U1* |
|------------|-------------|---|---|----|----|---|----|----|----|----|----|----|-----|-----|
| in         | in          |   |   |    |    |   |    |    |    |    |    |    |     |     |
| 3/8        | NO K.S.     | X | X | -  | -  | - | -  | -  | -  | -  | -  | -  | -   | -   |
| 7/16       | NO K.S.     | X | X | -  | -  | - | -  | -  | -  | -  | -  | -  | -   | -   |
| 1/2        | 1/8 X 7/16  | X | - | -  | -  | X | -  | -  | -  | -  | -  | -  | -   | -   |
| 9/16       | 1/8 X 7/16  | X | - | -  | -  | X | -  | -  | -  | -  | -  | -  | -   | -   |
| 1/2        | 1/8 X 1/16  | - | X | X  | -  | - | -  | -  | -  | -  | -  | -  | -   | -   |
| 9/16       | 1/8 X 1/16  | - | X | X  | -  | - | -  | -  | -  | -  | -  | -  | -   | -   |
| 5/8        | 3/16 X 3/32 | X | X | X  | -  | X | X  | -  | -  | -  | -  | -  | -   | -   |
| 21/32      | 3/16 X 3/32 | - | - | X  | -  | - | -  | -  | -  | -  | -  | -  | -   | -   |
| 11/16      | 3/16 X 3/32 | X | X | X  | -  | X | -  | -  | -  | -  | -  | -  | -   | -   |
| 3/4        | 3/16 X 3/32 | X | X | X  | X  | X | X  | -  | -  | -  | -  | -  | -   | -   |
| 25/32      | 3/16 X 3/32 | - | - | X  | -  | - | -  | -  | -  | -  | -  | -  | -   | -   |
| 13/16      | 3/16 X 3/32 | X | X | X  | X  | X | X  | -  | -  | -  | -  | -  | -   | -   |
| 7/8        | 3/16 X 3/32 | X | X | X  | X  | X | X  | -  | -  | -  | -  | -  | -   | -   |
| 15/16      | 1/4 X 1/8   | X | X | X  | X  | X | X  | -  | -  | -  | -  | -  | -   | -   |
| 31/32      | 1/4 X 1/8   | - | - | X  | -  | - | -  | -  | -  | -  | -  | -  | -   | -   |
| 1          | 1/4 X 1/8   | X | X | X  | X  | X | X  | X  | -  | -  | -  | -  | -   | -   |
| 11/16      | 1/4 X 1/8   | - | X | X  | X  | X | X  | X  | -  | -  | -  | -  | -   | -   |
| 11/8       | 1/4 X 1/8   | - | X | X  | X  | X | X  | X  | X  | -  | -  | -  | -   | -   |
| 13/16      | 1/4 X 1/8   | - | X | X  | X  | X | X  | X  | X  | -  | -  | -  | -   | -   |
| 11/4       | 1/4 X 1/8   | - | X | X  | X  | X | X  | X  | X  | -  | -  | -  | -   | -   |
| 15/16      | 5/16 X 1/16 | - | S | -  | -  | - | -  | -  | -  | -  | -  | -  | -   | -   |
| 13/8       | 5/16 X 1/16 | - | S | -  | -  | - | -  | -  | -  | -  | -  | -  | -   | -   |
| 15/16      | 5/16 X 5/32 | - | - | X  | X  | X | X  | X  | X  | -  | -  | -  | -   | -   |
| 13/8       | 5/16 X 5/32 | - | - | X  | X  | X | X  | X  | X  | X  | -  | -  | -   | -   |
| 13/8       | 3/8 X 3/16  | - | - | -  | X  | X | X  | X  | X  | X  | -  | -  | -   | -   |
| 1 3/8KW3/8 | 3/8 X 3/16  | - | - | X  | X  | X | X  | X  | X  | -  | -  | -  | -   | -   |
| 17/16      | 3/8 X 3/16  | - | S | X  | X  | X | X  | X  | X  | X  | -  | -  | -   | -   |
| 11/2       | 3/8 X 3/16  | - | S | X  | X  | X | X  | X  | X  | X  | -  | -  | -   | -   |
| 19/16      | 3/8 X 3/16  | - | - | X  | X  | X | X  | X  | X  | X  | -  | -  | -   | -   |
| 15/8       | 3/8 X 3/16  | - | - | X  | X  | X | X  | X  | X  | X  | -  | -  | -   | -   |
| 111/16     | 3/8 X 3/16  | - | - | X  | X  | X | X  | X  | X  | X  | X  | -  | -   | -   |
| 13/4       | 3/8 X 3/16  | - | - | X  | X  | X | X  | X  | X  | X  | X  | -  | -   | -   |
| 113/16     | 1/2 X 1/4   | - | - | -  | -  | X | X  | X  | X  | X  | -  | -  | -   | -   |
| 17/8       | 1/2 X 1/4   | - | - | -  | -  | X | X  | X  | X  | X  | X  | -  | -   | -   |
| 115/16     | 1/2 X 1/4   | - | - | -  | -  | X | X  | X  | X  | X  | X  | -  | -   | -   |
| 2          | 1/2 X 1/4   | - | - | -  | -  | X | X  | X  | X  | X  | X  | -  | -   | -   |
| 2 1/16     | 1/2 X 1/4   | - | - | -  | -  | X | X  | X  | X  | X  | -  | -  | -   | -   |
| 2 1/8      | 1/2 X 1/4   | - | - | -  | -  | X | X  | X  | X  | X  | X  | -  | -   | -   |
| 2 3/16     | 1/2 X 1/4   | - | - | -  | -  | X | X  | X  | X  | X  | X  | -  | -   | -   |
| 2 1/4      | 1/2 X 1/4   | - | - | -  | -  | X | X  | X  | X  | X  | X  | -  | -   | -   |
| 2 5/16     | 5/8 X 5/16  | - | - | -  | -  | X | X  | X  | X  | X  | X  | -  | -   | -   |
| 2 3/8      | 5/8 X 5/16  | - | - | -  | -  | X | X  | X  | X  | X  | X  | X  | X   | X   |
| 2 7/16     | 5/8 X 5/16  | - | - | -  | -  | X | X  | X  | X  | X  | X  | X  | X   | X   |
| 2 1/2      | 5/8 X 5/16  | - | - | -  | -  | - | X  | X  | X  | X  | X  | X  | X   | X   |
| 2 9/16     | 5/8 X 5/16  | - | - | -  | -  | - | X  | X  | X  | X  | X  | X  | X   | X   |
| 2 5/8      | 5/8 X 5/16  | - | - | -  | -  | - | X  | X  | X  | X  | X  | X  | X   | X   |
| 2 11/16    | 5/8 X 5/16  | - | - | -  | -  | - | X  | -  | X  | X  | X  | X  | X   | X   |
| 2 3/4      | 5/8 X 5/16  | - | - | -  | -  | - | -  | -  | X  | X  | X  | X  | X   | X   |

X = Stock bore, standard keyway

S = Stock bore, shallow keyway

| Stock bore | Keyseat     | R1 | R2 | S1 | S2 | U0* | U1* |
|------------|-------------|----|----|----|----|-----|-----|
| in         | in          |    |    |    |    |     |     |
| 2 13/16    | 3/4 X 3/8   | X  | X  | -  | -  | -   | -   |
| 2 7/8      | 3/4 X 3/8   | X  | X  | X  | X  | X   | X   |
| 2 15/16    | 3/4 X 3/8   | X  | X  | X  | X  | X   | X   |
| 3          | 3/4 X 3/8   | X  | X  | X  | X  | X   | X   |
| 3 1/16     | 3/4 X 3/8   | X  | -  | -  | -  | -   | -   |
| 3 1/8      | 3/4 X 3/8   | X  | X  | X  | X  | X   | X   |
| 3 3/16     | 3/4 X 3/8   | X  | X  | X  | X  | X   | X   |
| 3 1/4      | 3/4 X 3/8   | X  | X  | X  | X  | X   | X   |
| 3 3/8      | 7/8 X 7/16  | X  | X  | X  | X  | X   | X   |
| 3 7/16     | 7/8 X 7/16  | X  | X  | X  | X  | X   | X   |
| 3 1/2      | 7/8 X 7/16  | X  | X  | X  | X  | X   | X   |
| 3 5/8      | 7/8 X 7/16  | X  | X  | X  | X  | X   | X   |
| 3 11/16    | 7/8 X 7/16  | X  | -  | X  | X  | X   | X   |
| 3 3/4      | 7/8 X 7/16  | X  | -  | X  | X  | X   | X   |
| 3 7/8      | 1 X 1/2     | -  | -  | X  | X  | X   | X   |
| 3 15/16    | 1 X 1/2     | -  | -  | X  | X  | X   | X   |
| 4          | 1 X 1/2     | -  | -  | X  | X  | X   | X   |
| 4 1/8      | 1 X 1/2     | -  | -  | X  | X  | X   | X   |
| 4 3/16     | 1 X 1/2     | -  | -  | X  | X  | X   | X   |
| 4 1/4      | 1 X 1/2     | -  | -  | X  | -  | X   | X   |
| 4 3/8      | 1 X 1/2     | -  | -  | -  | -  | X   | X   |
| 4 7/16     | 1 X 1/2     | -  | -  | -  | -  | X   | X   |
| 4 1/2      | 1 X 1/2     | -  | -  | -  | -  | X   | X   |
| 4 5/8      | 1 1/4 X 5/8 | -  | -  | -  | -  | X   | X   |
| 4 11/16    | 1 1/4 X 5/8 | -  | -  | -  | -  | X   | X   |
| 4 3/4      | 1 1/4 X 5/8 | -  | -  | -  | -  | X   | X   |
| 4 7/8      | 1 1/4 X 5/8 | -  | -  | -  | -  | X   | X   |
| 4 15/16    | 1 1/4 X 5/8 | -  | -  | -  | -  | X   | X   |
| 5          | 1 1/4 X 5/8 | -  | -  | -  | -  | X   | X   |
| 5 1/8      | 1 1/4 X 5/8 | -  | -  | -  | -  | X   | X   |
| 5 3/16     | 1 1/4 X 5/8 | -  | -  | -  | -  | X   | X   |
| 5 1/4      | 1 1/4 X 5/8 | -  | -  | -  | -  | X   | X   |
| 5 3/8      | 1 1/4 X 5/8 | -  | -  | -  | -  | X   | X   |
| 5 7/16     | 1 1/4 X 5/8 | -  | -  | -  | -  | X   | X   |
| 5 1/2      | 1 1/4 X 5/8 | -  | -  | -  | -  | X   | X   |

X = Stock bore, standard keyway

S = Stock bore, shallow keyway



| Stock bore | Keyseat     | W1* |
|------------|-------------|-----|
| in         | in          |     |
| 3 3/8      | 1 1/4 X 5/8 | X   |
| 3 7/16     | 1 1/4 X 5/8 | X   |
| 3 1/2      | 1 1/4 X 5/8 | X   |
| 3 5/8      | 1 1/4 X 5/8 | X   |
| 3 11/16    | 1 1/4 X 5/8 | X   |
| 3 3/4      | 1 1/4 X 5/8 | X   |
| 3 7/8      | 1 X 1/2     | X   |
| 3 15/16    | 1 X 1/2     | X   |
| 4          | 1 X 1/2     | X   |
| 4 1/8      | 1 X 1/2     | X   |
| 4 3/16     | 1 X 1/2     | X   |
| 4 1/4      | 1 X 1/2     | X   |
| 4 3/8      | 1 X 1/2     | X   |
| 4 7/16     | 1 X 1/2     | X   |
| 4 1/2      | 1 X 1/2     | X   |
| 4 5/8      | 1 1/4 X 5/8 | X   |
| 4 3/4      | 1 1/4 X 5/8 | X   |
| 4 7/8      | 1 1/4 X 5/8 | X   |
| 4 15/16    | 1 1/4 X 5/8 | X   |
| 5          | 1 1/4 X 5/8 | X   |
| 5 1/8      | 1 1/4 X 5/8 | X   |
| 5 3/16     | 1 1/4 X 5/8 | X   |
| 5 1/4      | 1 1/4 X 5/8 | X   |
| 5 3/8      | 1 1/4 X 5/8 | X   |
| 5 7/16     | 1 1/4 X 5/8 | X   |
| 5 1/2      | 1 1/4 X 5/8 | X   |
| 5 5/8      | 1 1/2 X 3/4 | X   |
| 5 3/4      | 1 1/2 X 3/4 | X   |
| 5 7/8      | 1 1/2 X 3/4 | X   |
| 5 15/16    | 1 1/2 X 3/4 | X   |
| 6          | 1 1/2 X 3/4 | X   |
| 6 1/8      | 1 1/2 X 3/4 | X   |
| 6 3/16     | 1 1/2 X 3/4 | X   |
| 6 1/4      | 1 1/2 X 3/4 | X   |
| 6 3/8      | 1 1/2 X 3/4 | X   |
| 6 7/16     | 1 1/2 X 3/4 | X   |
| 6 1/2      | 1 1/2 X 3/4 | X   |
| 6 5/8      | 1 3/4 X 3/4 | X   |
| 6 3/4      | 1 3/4 X 3/4 | X   |
| 6 7/8      | 1 3/4 X 3/4 | X   |
| 6 15/16    | 1 3/4 X 3/4 | X   |
| 7          | 1 3/4 X 3/4 | X   |
| 7 1/8      | 1 3/4 X 3/4 | X   |
| 7 3/16     | 1 3/4 X 3/4 | X   |
| 7 1/4      | 1 3/4 X 3/4 | X   |
| 7 3/8      | 1 3/4 X 3/4 | X   |
| 7 7/16     | 1 3/4 X 3/4 | X   |

BUSHINGS

## TAPER LOCK BUSHINGS

- Torque capacity of up to 126,000 lb-in
- Hub diameter from 2 3/16" to 10 1/2"
- Bushing type of up to 5050
- Bore range from 1/2" - 1/2" kw - 9/16" to 4 7/8" - 4 15/16" - 5"



# TAPER LOCK BUSHINGS

## TAPER LOCK BUSHINGS

| Bushing | Torque capacity<br>lb-in | Hub diameter ref. (in) |       |        |         | Installation screw |             | G  | Approx. weight<br>lb |
|---------|--------------------------|------------------------|-------|--------|---------|--------------------|-------------|----|----------------------|
|         |                          | A                      | B     | C      | D       | Qty                | Size        |    |                      |
| 1008    | 1200                     | 1 3/8                  | 7/8   | 2 3/16 | 1 21/64 | 2                  | 1/4 x 1/2   | -- | 0.2                  |
| 1108    | 1300                     | 1 1/2                  | 7/8   | 2 5/16 | 1 29/64 | 2                  | 1/4 x 1/2   | -- | 0.2                  |
| 1210    | 3600                     | 1 7/8                  | 1     | 3 1/4  | 1 3/4   | 2                  | 3/8 x 5/8   | -- | 0.5                  |
| 1215    | 3550                     | 1 7/8                  | 1 1/2 | 2 7/8  | 1 3/4   | 2                  | 3/8 x 5/8   | -- | 0.3                  |
| 1310    | 3850                     | 2                      | 1     | 3 3/8  | 1 7/8   | 2                  | 3/8 x 5/8   | -- | 0.6                  |
| 1610    | 4300                     | 2 1/4                  | 1     | 3 5/8  | 2 1/8   | 2                  | 3/8 x 5/8   | -- | 0.7                  |
| 1615    | 4300                     | 2 1/4                  | 1 1/2 | 3 1/4  | 2 1/8   | 2                  | 3/8 x 5/8   | -- | 1.0                  |
| 2012    | 7150                     | 2 3/4                  | 1 1/4 | 4 3/8  | 2 5/8   | 2                  | 7/16 x 7/8  | -- | 1.4                  |
| 2517    | 11600                    | 3 3/8                  | 1 3/4 | 4 7/8  | 3 1/4   | 2                  | 1/2 x 1     | -- | 3.1                  |
| 2525    | 11300                    | 3 3/8                  | 2 1/2 | 4 1/2  | 3 1/4   | 2                  | 1/2 x 1     | -- | 3.5                  |
| 3020    | 24000                    | 4 1/4                  | 2     | 6 1/4  | 4       | 2                  | 5/8 x 1 1/4 | -- | 5.0                  |
| 3030    | 24000                    | 4 1/4                  | 3     | 5 3/4  | 4       | 2                  | 5/8 x 1 1/4 | -- | 7.4                  |
| 3535    | 44800                    | 5                      | 3 1/2 | 7      | 4 27/32 | 3                  | 1/2 x 1 1/2 | 39 | 9.8                  |
| 4040    | 77300                    | 5 3/4                  | 4     | 8 1/2  | 5 35/64 | 3                  | 5/8 x 1 3/4 | 40 | 15.4                 |
| 4545    | 110000                   | 6 3/8                  | 4 1/2 | 9 1/2  | 6 1/8   | 3                  | 3/4 x 2     | 40 | 21.0                 |
| 5050    | 126000                   | 7                      | 5     | 10 1/2 | 6 23/32 | 3                  | 7/8 x 2 1/4 | 37 | 29.0                 |

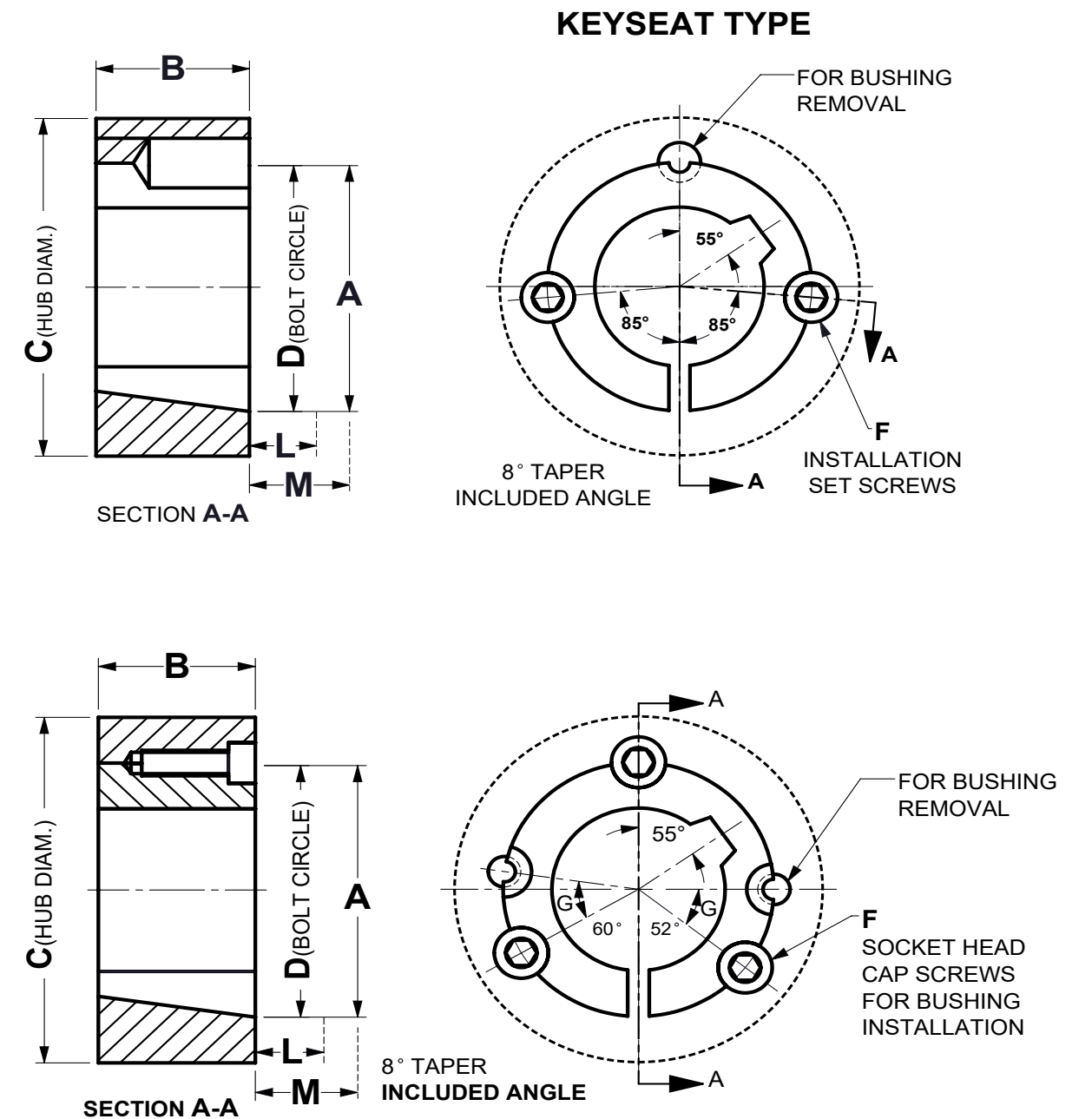
Peak torque loads must not exceed torque capacity rating shown above. Capacity values shown are for light starting and steady running conditions. For more severe duty, divide torque capacity by service factor suggested in table below.



# TAPER LOCK BUSHINGS

## SERVICE FACTOR

| Service factor | Type of loading   |
|----------------|---|
| 1.0            | Light start and steady running                                    |
| 1.5            | Light start and uneven running                                    |
| 2.0            | Fairly heavy start and steady or uneven running                   |
| 2.5            | Light or heavy start and moderate shock running                   |
| 3.0            | Light or heavy start and severe shock running, or reversing loads |



BUSHINGS

BUSHINGS



# TAPER LOCK BUSHINGS

## STANDARD STOCK BORE (INCHES)

| Bushing | Stock bore              | Keyseat     | Bushing | Stock bore                  | Keyseat     |
|---------|-------------------------|-------------|---------|-----------------------------|-------------|
|         | in                      | in          |         | in                          | in          |
| 1008    | 1/2 · 1/2KW · 9/16      | 1/8 x 1/16  | 2012    | 1-5/8 · 1 11/16 · 1 3/4     | 3/8 x 3/16  |
|         | 5/8 · 11/16 · 3/4       | 3/16 x 3/32 |         | 1 13/16 · 1 7/8             | 1/2 x 1/4   |
|         | 13/16 · 7/8             | 3/16 x 3/32 |         | 1 15/16 · 2                 | 1/2 x 3/16  |
|         | 15/16 · 1               | 1/4 x 1/16  |         | 2 1/8                       | 1/2 x 1/8   |
| 1108    | 1/2 · 1/2KW · 9/16      | 1/8 x 1/16  | 2517    | 1/2 · 1/2KW · 9/16          | 1/8 x 1/16  |
|         | 5/8 · 11/16 · 3/4       | 3/16 x 3/32 |         | 5/8 · 11/16 · 3/4           | 3/16 x 3/32 |
|         | 13/16 · 7/8             | 3/16 x 3/32 |         | 13/16 · 7/8                 | 3/16 x 3/32 |
|         | 15/16 · 1               | 1/4 x 1/8   |         | 15/16 · 1 · 11/16           | 1/4 x 1/8   |
| 1210    | 1/2 · 1/2KW · 9/16      | 1/8 x 1/16  | 2525    | 1 1/8 · 1 3/16 · 1 1/4      | 1/4 x 1/8   |
|         | 5/8 · 11/16 · 3/4       | 3/16 · 3/32 |         | 1 5/16 · 1 3/8              | 5/16 x 5/32 |
|         | 13/16 · 7/8             | 3/16 · 3/32 |         | 1 7/16 · 1 1/2 · 1 9/16     | 3/8 x 3/16  |
|         | 15/16 · 1 · 11/16       | 1/4 x 1/8   |         | 1 5/8 · 1 11/16 · 1 3/4     | 3/8 x 3/16  |
| 1215    | 1 13/16 · 1 1/4         | 1/4 x 1/8   | 3020    | 1 13/16 x 1 7/8             | 1/2 x 1/4   |
|         | 1/2 · 1/2KW · 9/16      | 1/8 x 1/16  |         | 1 15/16 · 2 · 2 1/16        | 1/2 x 1/4   |
|         | 5/8 · 11/16 · 3/4       | 3/16 x 3/32 |         | 2 1/8 · 2 3/16 · 2 1/4      | 1/2 x 1/4   |
|         | 13/16 · 7/8             | 3/16 x 3/32 |         | 2 5/16 · 2 3/8 · 2 7/16     | 5/8 x 3/16  |
| 1310    | 15/16 · 1 · 11/16       | 1/4 x 1/8   | 3030    | 2 1/2 · 2 5/8 · 2 11/16     | 5/8 x 3/16  |
|         | 11/8 · 1 3/16 · 1 1/4   | 1/4 x 1/8   |         | 3/4 · 7/8                   | 3/16 x 3/32 |
|         | 1/2 · 9/16              | 1/8 x 1/16  |         | 1 · 1 1/8 · 1 3/16          | 1/4 x 1/8   |
|         | 5/8 · 11/16 · 3/4       | 3/16 x 3/32 |         | 1 1/4                       | 1/4 x 1/8   |
| 1610    | 13/16 · 7/8             | 3/16 x 3/32 | 3050    | 1 3/8                       | 5/16 x 5/32 |
|         | 15/16 · 1 · 11/16       | 1/4 x 1/8   |         | 1 7/16 · 1 1/2 · 1 5/8      | 3/8 x 3/16  |
|         | 11/8 · 1 3/16 · 1 1/4   | 1/4 x 1/8   |         | 1 11/16 · 1 3/4             | 3/8 x 3/16  |
|         | 1 5/16 · 1 3/8          | 5/16 x 5/32 |         | 1 7/8 · 1 15/16 · 2         | 1/2 x 1/4   |
| 1615    | 17/16                   | 3/8 x 1/8   | 3535    | 2 1/8 · 2 3/16 · 2 1/4      | 1/2 x 1/4   |
|         | 1/2 · 1/2KW · 9/16      | 1/8 x 1/16  |         | 2 3/8 · 2 7/16 · 2 1/2      | 5/8 x 5/16  |
|         | 5/8 · 11/16 · 3/4       | 3/16 x 3/32 |         | 2 5/8 · 2 11/16 · 2 3/4     | 5/8 x 5/16  |
|         | 13/16 · 7/8             | 3/16 x 3/32 |         | 2 7/8 · 2 15/16 · 3         | 3/4 x 3/8   |
| 2012    | 15/16 · 1 · 11/16       | 1/4 x 1/8   | 4040    | 3 1/8 · 3 3/16 · 3 1/4      | 3/4 x 3/8   |
|         | 11/8 · 1 3/16 · 1 1/4   | 1/4 x 1/8   |         | 3 5/16 · 3 3/8 · 3 7/16     | 7/8 x 1/4   |
|         | 1 5/16 · 1 3/8          | 5/16 x 5/32 |         | 3 1/2 · 3 5/8 · 3 11/16     | 7/8 x 1/4   |
|         | 17/16 · 1 1/2           | 3/8 x 3/16  |         | 3 3/4                       | 7/8 x 1/4   |
| 3030    | 19/16 · 1 5/8 · 1 11/16 | 3/8 x 1/8   | 4040    | 3 7/8 · 3 15/16             | 1 x 1/4     |
|         | 1/2 · 1/2KW · 9/16      | 1/8 x 1/16  |         | 1 7/16 · 1 1/2 · 1 5/8      | 3/8 x 3/16  |
|         | 5/8 · 11/16 · 3/4       | 3/16 x 3/32 |         | 1 11/16 · 1 3/4             | 3/8 x 3/16  |
|         | 13/16 · 7/8             | 3/16 x 3/32 |         | 1 7/8 · 1 15/16 · 2         | 1/2 x 1/4   |
| 3050    | 15/16 · 1 · 11/16       | 1/4 x 1/8   | 4545    | 2 1/8 · 2 3/16 · 2 1/4      | 1/2 x 1/4   |
|         | 11/8 · 1 3/16 · 1 1/4   | 1/4 x 1/8   |         | 2 3/8 · 2 7/16 · 2 1/2      | 5/8 x 5/16  |
|         | 1 5/16 · 1 3/8          | 5/16 x 5/32 |         | 2 5/8 · 2 11/16 · 2 3/4     | 5/8 x 5/16  |
|         | 17/16 · 1 1/2           | 3/8 x 3/16  |         | 2 7/8 · 2 15/16 · 3 · 3 1/8 | 3/4 x 3/8   |
| 3535    | 19/16 · 1 5/8 · 1 11/16 | 3/8 x 1/8   | 4545    | 3 3/16 · 3 1/4              | 3/4 x 3/8   |
|         | 1/2 · 1/2KW · 9/16      | 1/8 x 1/16  |         | 3 3/8 · 3 7/16 · 3 1/2      | 7/8 x 7/16  |
|         | 5/8 · 11/16 · 3/4       | 3/16 x 3/32 |         | 3 5/8                       | 7/8 x 7/16  |
|         | 13/16 · 7/8             | 3/16 x 3/32 |         | 3 11/16 · 3 3/4             | 7/8 x 1/4   |
| 3030    | 15/16 · 1 · 11/16       | 1/4 x 1/8   | 4545    | 3 7/8 · 3 15/16 · 4         | 1 x 1/4     |
|         | 11/8 · 1 3/16 · 1 1/4   | 1/4 x 1/8   |         | 4 1/8 · 4 3/16 · 4 1/4      | 1 x 1/4     |
|         | 1 5/16 · 1 3/8          | 5/16 x 5/32 |         | 4 3/8 · 4 7/16              | 1 x 1/4     |
|         | 17/16 · 1 1/2           | 3/8 x 3/16  |         | 1 15/16 · 2 · 2 3/16        | 1/2 x 1/4   |
| 3535    | 19/16 · 1 5/8 · 1 11/16 | 3/8 x 1/8   | 4545    | 2 3/8 · 2 7/16 · 2 5/8      | 5/8 x 5/16  |
|         | 1/2 · 1/2KW · 9/16      | 1/8 x 1/16  |         | 2 3/4                       | 5/8 x 5/16  |
|         | 5/8 · 11/16 · 3/4       | 3/16 x 3/32 |         | 2 7/8 · 2 15/16 · 3         | 3/4 x 3/8   |
|         | 13/16 · 7/8             | 3/16 x 3/32 |         | 3 1/8 · 3 3/16 · 3 1/4      | 3/4 x 3/8   |
| 4040    | 15/16 · 1 · 11/16       | 1/4 x 1/8   | 4545    | 3 3/8 · 3 7/16 · 3 1/2      | 7/8 x 7/16  |
|         | 11/8 · 1 3/16 · 1 1/4   | 1/4 x 1/8   |         | 3 5/8 · 3 3/4               | 7/8 x 7/16  |
|         | 1 5/16 · 1 3/8          | 5/16 x 5/32 |         | 3 7/8 · 3 15/16 · 4         | 1 x 1/2     |
|         | 17/16 · 1 1/2           | 3/8 x 3/16  |         | 4 1/8 · 4 3/16 · 4 1/4      | 1 x 1/2     |
| 4545    | 19/16 · 1 5/8 · 1 11/16 | 3/8 x 1/8   | 4545    | 4 3/8 · 4 7/16 · 4 1/2      | 1 x 1/4     |
|         | 1/2 · 1/2KW · 9/16      | 1/8 x 1/16  |         | 4 3/4 · 4 7/8 · 4 15/16     | 1 1/4 x 1/4 |
|         | 5/8 · 11/16 · 3/4       | 3/16 x 3/32 |         |                             |             |
|         | 13/16 · 7/8             | 3/16 x 3/32 |         |                             |             |

# TAPER LOCK BUSHINGS

## STANDARD STOCK BORE (MILLIMETERS)

| Bushing | Stock bore          | Keyseat | Bushing | Stock bore        | Keyseat |
|---------|---------------------|---------|---------|-------------------|---------|
|         | mm                  | mm      |         | mm                | mm      |
| 1008    | 12 · 14 · 15 · 16   | 5 x 5   | 2525    | 45 · 48 · 50      | 14 x 9  |
|         | 18 · 19 · 20 · 22   | 6 x 6   |         | 55                | 16 x 10 |
|         | (24)                | 8 x 7   |         | 60                | 18 x 11 |
| 1108    | (12)                | 4 x 4   | 3020    | 24 · 25 · 28 · 30 | 8 x 7   |
|         | 14 · (15) · 16      | 5 x 5   |         | 32 · 35 · 38      | 10 x 8  |
|         | 18 · 19 · 20 · 22   | 6 x 6   |         | 40 · 42           | 12 x 8  |
|         | 24 · 25             | 8 x 7   |         | 45 · 48 · 50      | 14 x 9  |
| 1210    | 12 · 14 · (15) · 16 | 5 x 5   | 3030    | 55                | 16 x 10 |
|         | 18 · 19 · 20 · 22   | 6 x 6   |         | 60 · 65           | 18 x 11 |
|         | 24 · 25 · 28 · 30   | 8 x 7   |         | 70 · 75           | 20 x 12 |
|         | (32)                | 10 x 8  |         | 22                | 6 x 6   |
| 1215    | 16                  | 5 x 5   | 3535    | 24 · 25 · 28 · 30 | 8 x 7   |
|         | 19 · 20 · 22        | 6 x 6   |         | 32 · 35 · 36 · 38 | 10 x 8  |
|         | 24 · 25 · 28 · 30   | 8 x 7   |         | 39 · 40 · 42      | 12 x 8  |
|         | 32                  | 10 x 8  |         | 45 · 48 · 50      | 14 x 9  |
| 1310    | 14 · 16             | 5 x 5   | 4040*   | 55                | 16 x 10 |
|         | 18 · 19 · 20 · 22   | 6 x 6   |         | 60 · 65           | 18 x 11 |
|         | 24 · 25 · 28 · 30   | 8 x 7   |         | 70 · 75           | 20 x 12 |
|         | 32 · 35             | 10 x 8  |         | 35 · 38           | 10 x 8  |
| 1610    | 14 · 16             | 5 x 5   | 4545*   | 40 · 42           | 12 x 8  |
|         | 18 · 19 · 20 · 22   | 6 x 6   |         | 45 · 48 · 50      | 14 x 9  |
|         | 24 · 25 · 28 · 30   | 8 x 7   |         | 55                | 16 x 10 |
|         | 32 · 35 · 38        | 10 x 8  |         | 60 · 65           | 18 x 11 |
|         | 40                  | 12 x 8  |         | 70 · 75           | 20 x 12 |
| 1615    | 12                  | 4 x 4   | 5050*   | 80 · 85           | 22 x 14 |
|         | 14 · 15 · 16        | 5 x 5   |         | 90                | 25 x 14 |
|         | 18 · 19 · 20 · 22   | 6 x 6   |         | 48                | 14 x 9  |
|         | 24 · 25 · 28 · 30   | 8 x 7   |         | 55                | 16 x 10 |
|         | 32 · 35 · 36 · 38   | 10 x 8  |         | 60 · 65           | 18 x 11 |
|         | 39 · 40             | 12 x 8  |         | 70 · 75           | 20 x 12 |
| 2012    | 42                  | 12 x 7  | 5050*   | 80 · 85           | 22 x 14 |
|         | 14 · 16             | 5 x 5   |         | 90 · 95           | 25 x 14 |
|         | 18 · 19 · 20 · 22   | 6 x 6   |         | 100 · 110         | 28 x 16 |
|         | 24 · 25 · 28 · 30   | 8 x 7   |         | 55                | 16 x 10 |
|         | 32 · 35 · 38        | 10 x 8  |         | 60 · 65           | 18 x 11 |
| 2517    | 40 · 42             | 12 x 8  | 5050*   | 70 · 75           | 20 x 12 |
|         | 45 · 48             | 14 x 9  |         | 80 · 85           | 22 x 14 |
|         | 14 · 16             | 5 x 5   |         | 90 · 95           | 25 x 14 |
|         | 18 · 19 · 20 · 22   | 6 x 6   |         | 100 · 105 · 110   | 28 x 16 |
|         | 24 · 25 · 28 · 30   | 8 x 7   |         | 115 · 120         | 32 x 18 |
|         | 32 · 35 · 38        | 10 x 8  |         | 55                | 16 x 10 |
| 2525    | 40 · 42             | 12 x 8  | 5050*   | 60 · 65           | 18 x 11 |
|         | 45 · 48 · 50        | 14 x 9  |         | 70 · 75           | 20 x 12 |
|         | 55                  | 16 x 10 |         | 80 · 85           | 22 x 14 |
|         | 60 · 65             | 18 x 11 |         | 90 · 95           | 25 x 14 |
| 2525    | 19 · 20 · 22        | 6 x 6   | 5050*   | 100 · 110         | 28 x 16 |
|         | 24 · 25 · 28 · 30   | 8 x 7   |         | 115 · 120 · 125   | 32 x 18 |
|         | 32 · 35 · 36 · 38   | 10 x 8  |         |                   |         |
| 2525    | 39 · 40 · 42        | 12 x 8  |         |                   |         |

\*Contact us for availability

# TAPER LOCK BUSHINGS

## TECHNICAL INFORMATION

QD bushings – Set screws (tightening torques and axial loads)

| Set screw size | Socket/ allen key size (across flat) | Recommended tightening torque |     | Set screw axial load (± 30%) |      |               |      |
|----------------|--------------------------------------|-------------------------------|-----|------------------------------|------|---------------|------|
|                |                                      |                               |     | Cup point                    |      | Knurled point |      |
|                |                                      | in                            | Nm  | lb-in                        | N    | lb            | N    |
| #10-24         | 3/32                                 | 3.62                          | 32  | 1500                         | 340  | 2225          | 500  |
| 1/4-20         | 1/8                                  | 6.8                           | 60  | 2500                         | 560  | 3650          | 820  |
| 5/16-18        | 5/32                                 | 12.4                          | 110 | 3500                         | 785  | 5110          | 1150 |
| 3/8-16         | 3/16                                 | 22.6                          | 200 | 4500                         | 1010 | 6580          | 1480 |
| 1/2-13         | 1/4                                  | 45.2                          | 400 | 9000                         | 2025 | 13230         | 2975 |
| 5/8-11         | 5/16                                 | 97.2                          | 860 | 12000                        | 2720 | 17800         | 4000 |



# TAPER LOCK BUSHINGS

## TECHNICAL INFORMATION

Proper wrench torque

| Bushing | Set screws | Wrench torque |       |
|---------|------------|---------------|-------|
|         | in         | lb-in         | lb/ft |
| 1008    | 1/4        | 55            | 4.5   |
| 1108    | 1/4        | 55            | 4.5   |
| 1210    | 3/8        | 175           | 14.5  |
| 1215    | 3/8        | 175           | 14.5  |
| 1310    | 3/8        | 175           | 14.5  |
| 1610    | 3/8        | 175           | 14.5  |
| 1615    | 3/8        | 175           | 14.5  |
| 2012    | 7/16       | 280           | 23.0  |
| 2517    | 1/2        | 430           | 36.0  |
| 2525    | 1/2        | 430           | 36.0  |
| 3020    | 5/8        | 800           | 67.0  |
| 3030    | 5/8        | 800           | 67.0  |
| 3535    | 1/2        | 1000          | 83.0  |
| 4040    | 5/8        | 1700          | 142.0 |
| 4545    | 3/4        | 2450          | 204.0 |
| 5050    | 7/8        | 3100          | 258.0 |



CONTRIBUTING TO PEOPLE'S QUALITY OF LIFE, EVERY DAY.

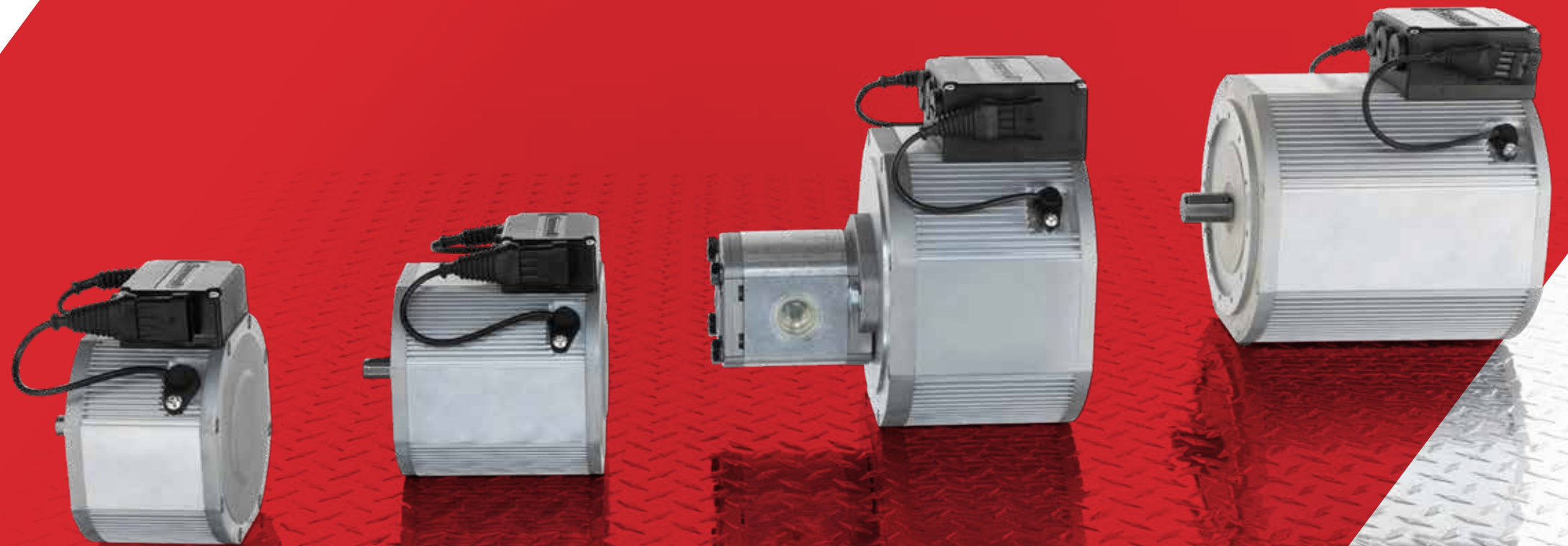




# ELECTRICAL GROUP

---

- Many different models available
- Competitive price for various applications  
(DC, AC, Open, ODP, TENV, TEAO, SMAC - AMAC)





# TABLE OF CONTENTS

---

## TRACTION MOTORS

|                                  |     |
|----------------------------------|-----|
| Asynchronous (AMAC motors) ..... | 375 |
| Synchronous (SMAC motors) .....  | 378 |

## AC ELECTRIC MOTORS

|                           |     |
|---------------------------|-----|
| Rolled steel series ..... | 386 |
| Custom-built .....        | 391 |
| Cast iron series .....    | 392 |

## DC ELECTRIC MOTORS

|                                 |     |
|---------------------------------|-----|
| Rolled steel series .....       | 402 |
| EV vibrator – CNX product ..... | 404 |

## TRACTION MOTORS

- Scalable design
- Lightweight
- Waterproof
- IEC, NEMA and SAE flanges
- Integrated temperature sensor
- Synchronous – IPM and SPM versions
- Synchronous – High efficiency and power density
- Asynchronous – High efficiency
- Asynchronous – Integrated encoder



# TRACTION MOTORS

## FLANGES

IEC B14 FLANGE



IEC B5 FLANGE



SAE A-B FLANGE



NEMA FLANGE



CUSTOM FLANGE



# TRACTION MOTORS

## ASYNCHRONOUS (AMAC MOTORS)

TECHNICAL CHARACTERISTICS

| Motor type                | Asynchronous induction motor                         |
|---------------------------|--|
| Power range (continuous)  | 0.3 to 20kW  |
| Power peak                | Up to 30kW   |
| Voltage range             | 24 to 650 VDC battery                                |
| Torque range (continuous) | 2Nm - 65Nm   |
| Torque peak               | Up to 130Nm  |
| Pole numbers              | 4 standards  |
| Speed sensor              | Incremental 64p/r                                    |
| Thermal sensor            | KTY84-130  |
| Protection                | IP54 to IP69K  |
| Thermal insulation class  | F  |
| Connections               | Standard : terminal box (optional : special harness) |
| Cooling                   | Air or liquid cooled                                 |
| Mounting orientation      | IEC, NEMA, SAE with or without foot                  |
| General standard          | Complies with IEC 60034                              |



ELECTRICAL GROUP

ELECTRICAL GROUP

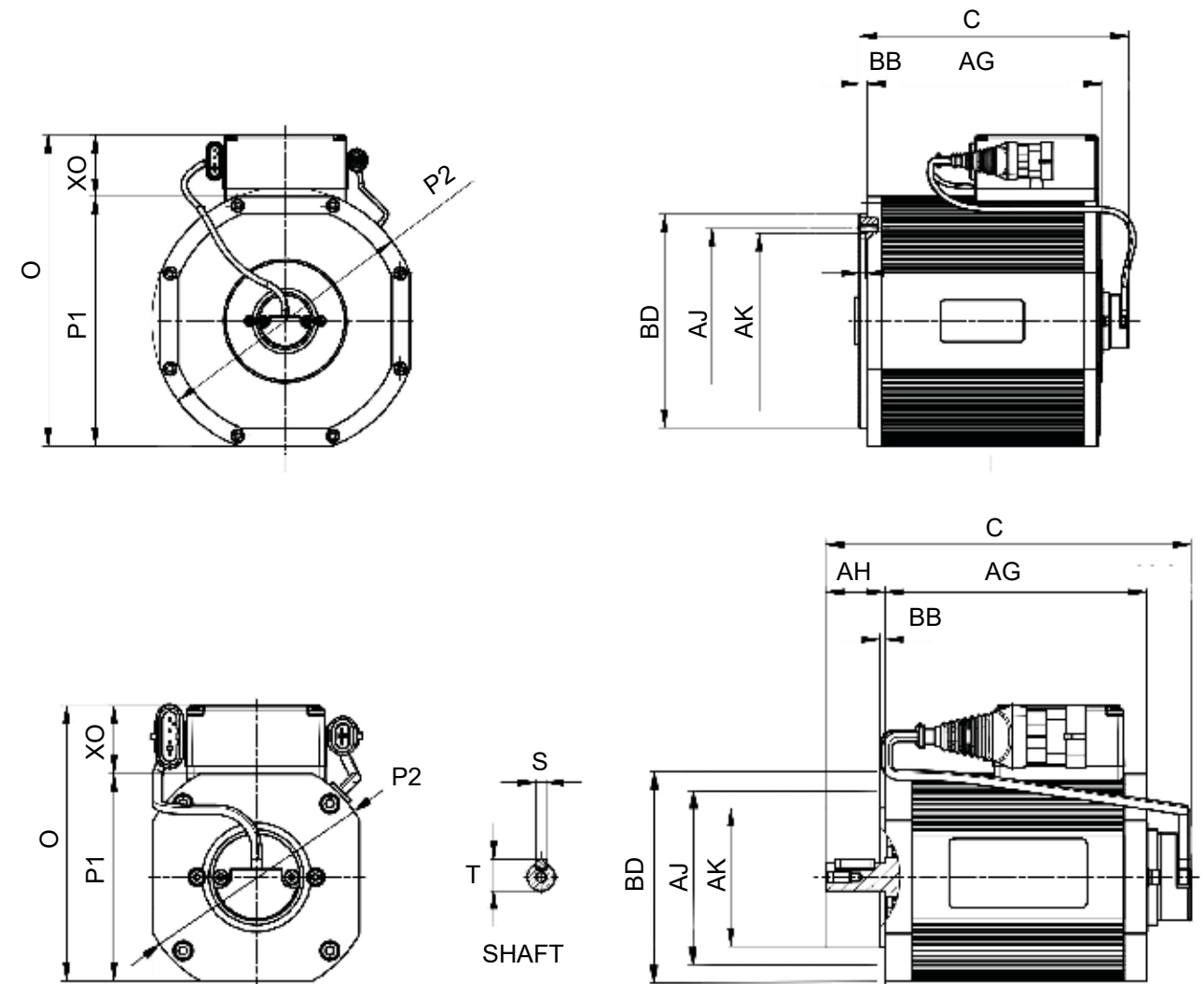
# TRACTION MOTORS

## ASYNCHRONOUS (AMAC MOTORS)

| Model           | Figure | Shaft type                        | S | T    | Bolt pattern | AH   | AK (pilot) | AJ (bolt circle) |
|-----------------|--------|-----------------------------------|---|------|--------------|------|------------|------------------|
| AMAC 125-035-17 | 1      | 14mm j6                           | 5 | 16.5 | 8xM6         | 27.5 | 102.5 G8   | 95               |
| AMAC 125-035-34 | 1      | 14mm j6                           | 5 | 16.5 | 8xM6         | 27.5 | 102.5 G8   | 95               |
| AMAC 125-075-08 | 1      | 14mm j6                           | 5 | 16.5 | 8xM6         | 27.5 | 102.5 G8   | 95               |
| AMAC 125-075-16 | 1      | 14mm j6                           | 5 | 16.5 | 8xM6         | 27.5 | 102.5 G8   | 95               |
| AMAC 125-100-05 | 1      | 14mm j6                           | 5 | 16.5 | 8xM6         | 27.5 | 102.5 G8   | 95               |
| AMAC 125-100-10 | 1      | 14mm j6                           | 5 | 16.5 | 8xM6         | 27.5 | 102.5 G8   | 95               |
| AMAC 125-130-05 | 1      | 14mm j6                           | 5 | 16.5 | 8xM6         | 27.5 | 102.5 G8   | 95               |
| AMAC 125-130-10 | 1      | 14mm j6                           | 5 | 16.5 | 8xM6         | 27.5 | 102.5 G8   | 95               |
| AMAC 200-050-05 | 2      | Hollow spline Z19 24/48 SAE B92.1 | - | -    | 12xM6        | 8.5  | 148.4 H8   | 156.36           |
| AMAC 200-050-10 | 2      | Hollow spline Z19 24/48 SAE B92.1 | - | -    | 12xM6        | 8.5  | 148.4 H8   | 156.36           |
| AMAC 200-090-04 | 2      | Hollow spline Z19 24/48 SAE B92.1 | - | -    | 12xM6        | 8.5  | 148.4 H8   | 156.36           |
| AMAC 200-090-09 | 2      | Hollow spline Z19 24/48 SAE B92.1 | - | -    | 12xM6        | 8.5  | 148.4 H8   | 156.36           |
| AMAC 200-125-05 | 2      | Hollow spline Z19 24/48 SAE B92.1 | - | -    | 12xM6        | 8.5  | 148.4 H8   | 156.36           |
| AMAC 200-125-06 | 2      | Hollow spline Z19 24/48 SAE B92.1 | - | -    | 12xM6        | 8.5  | 148.4 H8   | 156.36           |
| AMAC 200-165-04 | 2      | Hollow spline Z19 24/48 SAE B92.1 | - | -    | 12xM6        | 8.5  | 148.4 H8   | 156.36           |

| BB | BD  | AG    | C     | O   | P1  | P2    | XO |
|----|-----|-------|-------|-----|-----|-------|----|
| 4  | 126 | 140.5 | 201.5 | 174 | 140 | 150   | 34 |
| 4  | 126 | 140.5 | 201.5 | 174 | 140 | 150   | 34 |
| 4  | 126 | 180.5 | 244   | 174 | 140 | 150   | 34 |
| 4  | 126 | 180.5 | 244   | 174 | 140 | 150   | 34 |
| 4  | 126 | 205.5 | 269   | 174 | 140 | 150   | 34 |
| 4  | 126 | 205.5 | 269   | 174 | 140 | 150   | 34 |
| 4  | 126 | 235.5 | 299   | 174 | 140 | 150   | 34 |
| 4  | 126 | 235.5 | 299   | 174 | 140 | 150   | 34 |
| 7  | 180 | 187.5 | 194.5 | 262 | 210 | 225.1 | 52 |
| 7  | 180 | 187.5 | 194.5 | 262 | 210 | 225.1 | 52 |
| 7  | 180 | 227.5 | 234.5 | 262 | 210 | 225.1 | 52 |
| 7  | 180 | 227.5 | 234.5 | 262 | 210 | 225.1 | 52 |
| 7  | 180 | 262.5 | 269.5 | 262 | 210 | 225.1 | 52 |
| 7  | 180 | 262.5 | 269.5 | 262 | 210 | 225.1 | 52 |
| 7  | 180 | 302.5 | 309.5 | 262 | 210 | 225.1 | 52 |

| Model             | Output power | Battery voltage | Rated speed | Current FLA / S2 - 60 min. | Nominal torque / S2 - 60 min. | Efficiency |
|-------------------|--------------|-----------------|-------------|----------------------------|-------------------------------|------------|
|                   | kW           | VDC             | RPM         | A                          | Nm                            | %          |
| AMAC - 125 035 17 | 0.6          | 24              | 2450        | 31                         | 2.3                           | 78         |
| AMAC - 125 035 34 | 0.6          | 48              | 2450        | 16.5                       | 2.3                           | 78         |
| AMAC - 125 075 08 | 1.2          | 24              | 2450        | 69                         | 4.8                           | 79         |
| AMAC - 125 075 16 | 1.2          | 48              | 2450        | 35                         | 4.8                           | 79         |
| AMAC - 125 100 05 | 1.5          | 24              | 2500        | TBD                        | 5.7                           | 80         |
| AMAC - 125 100 10 | 1.5          | 48              | 2500        | TBD                        | 5.7                           | 80         |
| AMAC - 125 130 05 | 1.7          | 24              | 2300        | 88                         | 7.1                           | 82         |
| AMAC - 125 130 10 | 1.7          | 48              | 2300        | 44                         | 7.1                           | 82         |
| AMAC - 200 050 05 | 3            | 24              | 2700        | 149                        | 10.6                          | 83         |
| AMAC - 200 050 10 | 3            | 48              | 2700        | 72.5                       | 10.6                          | 83         |
| AMAC - 200 090 04 | 4            | 24              | 1690        | 210                        | 22.5                          | 84         |
| AMAC - 200 090 09 | 4            | 48              | 1500        | 105                        | 25.5                          | 84         |
| AMAC - 200 125 05 | 5            | 36              | 1150        | 177                        | 41.4                          | 82         |
| AMAC - 200 125 06 | 6.5          | 48              | 1500        | 177                        | 41.4                          | 85         |
| AMAC - 200 165 04 | 10           | 48              | 2200        | 245                        | 50.3                          | 87         |
| AMAC - 200 165 07 | 10           | 80              | 1900        | 139                        | 50.3                          | 87         |
| AMAC - 200 165 08 | 10           | 96              | 2000        | 122                        | 50.3                          | 87         |
| AMAC - 200 125 06 | 10           | 600             | 1900        | 18.5                       | 50.3                          | 85         |
| AMAC - 200 200 07 | 19           | 80              | 3000        | 243                        | 61                            | 87         |
| AMAC - 200 200 08 | 19           | 96              | 3000        | 243                        | 61                            | 85         |
| AMAC - 200 200 20 | 19           | 400             | 3000        | 48.5                       | 61                            | 87         |



# TRACTION MOTORS

SYNCHRONOUS (SMAC MOTORS)

## TECHNICAL CHARACTERISTICS

| Motor type                | Asynchronous induction motor                         |
|---------------------------|--|
| Power range (continuous)  | 0.2 kW to 30 kW                                      |
| Power peak                | Up to 80 kW  |
| Voltage range             | 24 to 650 VDC battery                                |
| Torque range (continuous) | 1 Nm - 95 Nm   |
| Torque peak               | Up to 270 Nm   |
| Magnet materials          | NeFeB rare earth magnets                             |
| Pole numbers              | 4 to 10 poles  |
| Speed sensor              | SinCos   |
| Thermal sensor            | KTY84-130  |
| Protection                | IP54 to IP69K  |
| Thermal insulation class  | F  |
| Connections               | Standard : terminal box (optional : special harness) |
| Cooling                   | Air or liquid cooled                                 |
| Mounting orientation      | IEC, NEMA, SAE with or without foot                  |
| General standard          | Complies with IEC 60034                              |





# TRACTION MOTORS

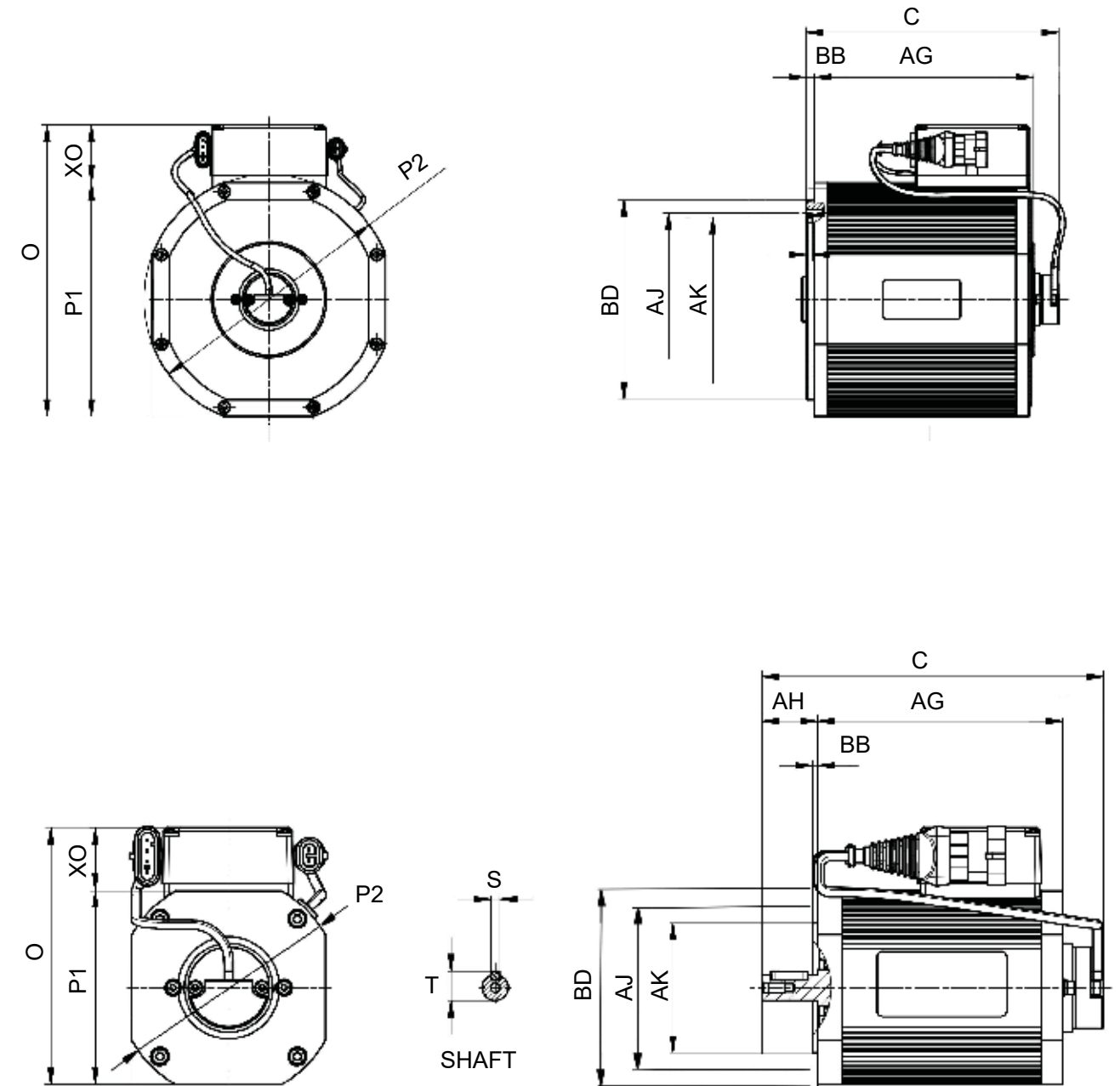
SYNCHRONOUS (SMAC MOTORS)

| Model            | Output power | Battery voltage** | Rated speed | Current FLA / S2 - 60 min. | Nominal torque / S2 - 60 min. | Efficiency |
|------------------|--------------|-------------------|-------------|----------------------------|-------------------------------|------------|
|                  | kW           | VDC               | RPM         | A                          | Nm                            | (%)        |
| SMAC 077 025 A4  | 0.25         | 48                | 5000        | 7                          | 0.75                          | 84         |
| SMAC 077 050 52  | 0.575        | 48                | 5000        | 14                         | 1.1                           | 88         |
| SMAC 096 025 36  | 0.5          | 24                | 5000        | 20                         | 1                             | 89         |
| SMAC 096 025 70  | 0.5          | 48                | 5000        | 10.5                       | 1                             | 89         |
| SMAC 096 050 36  | 1            | 24                | 5000        | 40                         | 2.1                           | 92         |
| SMAC 096 050 38  | 1            | 48                | 5000        | 20                         | 2.1                           | 92         |
| SMAC 132 025 40  | 1.5          | 24                | 3000        | 73                         | 4.3                           | 89         |
| SMAC 132 025 90  | 1.5          | 48                | 3000        | 34                         | 4.3                           | 85         |
| SMAC 132 025 40  | 1.5          | 80                | 3000        | 19                         | 4.3                           | 85         |
| SMAC 132 050 24  | 2.2          | 24                | 3000        | 95                         | 7                             | 89         |
| SMAC 132 050 48  | 2.2          | 48                | 3000        | 47                         | 7                             | 89         |
| SMAC 132 050 80  | 2.2          | 80                | 3000        | 30                         | 7                             | 89         |
| SMAC 132 075 16  | 3            | 24                | 3000        | 130                        | 9.5                           | 92         |
| SMAC 132 075 32  | 3            | 48                | 3000        | 65                         | 9.5                           | 93         |
| SMAC 132 075 52  | 3            | 80                | 3000        | 39                         | 9.5                           | 92         |
| SMAC 200 035 19  | 5.5          | 24                | 3000        | 250                        | 17.5                          | 93         |
| SMAC 200 035 28E | 5.5          | 48                | 3000        | TBD                        | 17.5                          | 93         |
| SMAC 200 035 28G | 6.4          | 80                | 3500        | 85                         | 17.5                          | 94         |
| SMAC 200 035 28H | 6.4          | 96                | 3500        | 85                         | 17.5                          | 94         |
| SMAC 200 052 28E | 7.5          | 48                | 3000        | 150                        | 24                            | 94         |
| SMAC 200 052 28G | 6.3          | 80                | 2500        | 80                         | 24                            | 95         |
| SMAC 200 052 28H | 7.5          | 96                | 3000        | 80                         | 24                            | 95         |
| SMAC 200 070 28E | 8            | 48                | 2500        | 155                        | 32                            | 96         |
| SMAC 200 070 28G | 10           | 80                | 3000        | 148                        | 30                            | 96         |
| SMAC 200 070 36P | 10           | 400               | 3000        | 24                         | 30                            | 96         |
| SMAC 200 070 30T | 10           | 600               | 3000        | 17                         | 30                            | 96         |
| SMAC 200 105 19E | 9            | 48                | 2000        | 210                        | 44                            | 96         |
| SMAC 200 105 19G | 13           | 80                | 3000        | 210                        | 42                            | 96         |
| SMAC 200 105 28H | 13           | 96                | 3000        | 140                        | 42                            | 96         |
| SMAC 200 157 19E | 8.5          | 48                | 1250        | 190                        | 64                            | 97         |
| SMAC 200 157 19H | 16.5         | 96                | 2500        | 190                        | 64                            | 97         |
| SMAC 200 210 19E | 10           | 48                | 1000        | 230                        | 95                            | 96         |
| SMAC 200 210 19G | 20           | 80                | 2000        | 230                        | 95                            | 97         |
| SMAC 200 210 19H | 20           | 96                | 2000        | 230                        | 95                            | 97         |
| SMAC 200 210 19M | 20           | 120               | 2000        | 210                        | 95                            | 97         |
| SMAC 200 210 28H | 30           | 400               | 3500        | 75                         | 95                            | 97         |

\*\* Other voltages available upon request

# TRACTION MOTORS

SYNCHRONOUS (SMAC MOTORS)



ELECTRICAL GROUP

ELECTRICAL GROUP

# TRACTION MOTORS

## SYNCHRONOUS (SMAC MOTORS)

| Model            | Figure | Shaft type                         | S | T  | Bolt pattern | AH   | AK (pilot) | AJ (bolt circle) |
|------------------|--------|------------------------------------|---|----|--------------|------|------------|------------------|
| SMAC 077-025-A4  | 1      | 14mm j6                            | 5 | 16 | 4xM6         | 30   | 70 j6      | 85               |
| SMAC 077-050-52  | 1      | 14mm j6                            | 5 | 16 | 4xM6         | 30   | 70 j6      | 85               |
| SMAC 096-025-36  | 1      | 14mm j6                            | 5 | 16 | 4xM6         | 30   | 70 j6      | 85               |
| SMAC 096-025-70  | 1      | 14mm j6                            | 5 | 16 | 4xM6         | 30   | 70 j6      | 85               |
| SMAC 096-050-36  | 1      | 14mm j6                            | 5 | 16 | 4xM6         | 30   | 70 j6      | 85               |
| SMAC 096-050-38  | 1      | 14mm j6                            | 5 | 16 | 4xM6         | 30   | 70 j6      | 85               |
| SMAC 132-025-40  | 1      | 14mm j6                            | 5 | 16 | 8xM6         | 27.5 | 102.5 G8   | 95               |
| SMAC 132-025-90  | 1      | 14mm j6                            | 5 | 16 | 8xM6         | 27.5 | 102.5 G8   | 95               |
| SMAC 132-050-24  | 1      | 14mm j6                            | 5 | 16 | 8xM6         | 27.5 | 102.5 G8   | 95               |
| SMAC 132-050-48  | 1      | 14mm j6                            | 5 | 16 | 8xM6         | 27.5 | 102.5 G8   | 95               |
| SMAC 132-050-80  | 1      | 14mm j6                            | 5 | 16 | 8xM6         | 27.5 | 102.5 G8   | 95               |
| SMAC 132-075-16  | 1      | 14mm j6                            | 5 | 16 | 8xM6         | 27.5 | 102.5 G8   | 95               |
| SMAC 132-075-32  | 1      | 14mm j6                            | 5 | 16 | 8xM6         | 27.5 | 102.5 G8   | 95               |
| SMAC 132-075-52  | 1      | 14mm j6                            | 5 | 16 | 8xM6         | 27.5 | 102.5 G8   | 95               |
| SMAC 200-035-19  | 2      | Hollow spline Z19 24/48 SAE B92.1  | - | -  | 12xM6        | 8.5  | 148.4 H8   | 156.36           |
| SMAC 200-035-28E | 2      | Hollow spline Z19 24/48 SAE B92.2  | - | -  | 12xM6        | 8.5  | 148.4 H8   | 156.36           |
| SMAC 200-035-28G | 2      | Hollow spline Z19 24/48 SAE B92.3  | - | -  | 12xM6        | 8.5  | 148.4 H8   | 156.36           |
| SMAC 200-035-28H | 2      | Hollow spline Z19 24/48 SAE B92.4  | - | -  | 12xM6        | 8.5  | 148.4 H8   | 156.36           |
| SMAC 200-052-28E | 2      | Hollow spline Z19 24/48 SAE B92.5  | - | -  | 12xM6        | 8.5  | 148.4 H8   | 156.36           |
| SMAC 200-052-28G | 2      | Hollow spline Z19 24/48 SAE B92.6  | - | -  | 12xM6        | 8.5  | 148.4 H8   | 156.36           |
| SMAC 200-052-28H | 2      | Hollow spline Z19 24/48 SAE B92.7  | - | -  | 12xM6        | 8.5  | 148.4 H8   | 156.36           |
| SMAC 200-070-28E | 2      | Hollow spline Z19 24/48 SAE B92.8  | - | -  | 12xM6        | 8.5  | 148.4 H8   | 156.36           |
| SMAC 200-070-28G | 2      | Hollow spline Z19 24/48 SAE B92.9  | - | -  | 12xM6        | 8.5  | 148.4 H8   | 156.36           |
| SMAC 200-070-36P | 2      | Hollow spline Z19 24/48 SAE B92.10 | - | -  | 12xM6        | 8.5  | 148.4 H8   | 156.36           |
| SMAC 200-070-30T | 2      | Hollow spline Z19 24/48 SAE B92.11 | - | -  | 12xM6        | 8.5  | 148.4 H8   | 156.36           |
| SMAC 200-105-19E | 2      | Hollow spline Z19 24/48 SAE B92.12 | - | -  | 12xM6        | 8.5  | 148.4 H8   | 156.36           |
| SMAC 200-105-19G | 2      | Hollow spline Z19 24/48 SAE B92.13 | - | -  | 12xM6        | 8.5  | 148.4 H8   | 156.36           |
| SMAC 200-105-28H | 2      | Hollow spline Z19 24/48 SAE B92.14 | - | -  | 12xM6        | 8.5  | 148.4 H8   | 156.36           |
| SMAC 200-157-19E | 2      | Hollow spline Z19 24/48 SAE B92.15 | - | -  | 12xM6        | 8.5  | 148.4 H8   | 156.36           |
| SMAC 200-157-19H | 2      | Hollow spline Z19 24/48 SAE B92.16 | - | -  | 12xM6        | 8.5  | 148.4 H8   | 156.36           |
| SMAC 200-210-19E | 2      | Hollow spline Z19 24/48 SAE B92.17 | - | -  | 12xM6        | 8.5  | 148.4 H8   | 156.36           |
| SMAC 200-210-19G | 2      | Hollow spline Z19 24/48 SAE B92.18 | - | -  | 12xM6        | 8.5  | 148.4 H8   | 156.36           |
| SMAC 200-210-19H | 2      | Hollow spline Z19 24/48 SAE B92.19 | - | -  | 12xM6        | 8.5  | 148.4 H8   | 156.36           |
| SMAC 200-210-19M | 2      | Hollow spline Z19 24/48 SAE B92.20 | - | -  | 12xM6        | 8.5  | 148.4 H8   | 156.36           |
| SMAC 200-210-28H | 2      | Hollow spline Z19 24/48 SAE B92.21 | - | -  | 12xM6        | 8.5  | 148.4 H8   | 156.36           |

\*All dimensions are in millimeters. Refer to drawings on previous page.

| BB  | BD    | AG    | C     | O     | P1    | P2  | XO   |
|-----|-------|-------|-------|-------|-------|-----|------|
| 2.5 | 105   | 130.3 | 192.3 | 85    | 85    | 85  | 0    |
| 2.5 | 105   | 140.3 | 202.3 | 138.7 | 85    | 85  | 0    |
| 2.5 | 104.5 | 107.5 | 159.7 | 138.7 | 104.5 | 112 | 34.2 |
| 2.5 | 104.5 | 107.5 | 159.7 | 138.7 | 104.5 | 112 | 34.2 |
| 2.5 | 104.5 | 132.5 | 184.7 | 138.7 | 104.5 | 112 | 34.2 |
| 2.5 | 104.5 | 132.5 | 184.7 | 138.7 | 104.5 | 112 | 34.2 |
| 4   | 126   | 99.5  | 192.5 | 174.2 | 140   | 146 | 34.2 |
| 4   | 126   | 99.5  | 192.5 | 174.2 | 140   | 146 | 34.2 |
| 4   | 126   | 124.5 | 217.5 | 174.2 | 140   | 146 | 34.2 |
| 4   | 126   | 124.5 | 217.5 | 174.2 | 140   | 146 | 34.2 |
| 4   | 126   | 124.5 | 217.5 | 174.2 | 140   | 146 | 34.2 |
| 4   | 126   | 148   | 241   | 174.2 | 140   | 146 | 34.2 |
| 5.5 | 126   | 148   | 241   | 174.2 | 140   | 146 | 34.2 |
| 5.5 | 126   | 148   | 241   | 174.2 | 140   | 146 | 34.2 |
| 7   | 180   | 128   | 157.3 | 262   | 210   | 225 | 52   |
| 7   | 180   | 128   | 157.3 | 262   | 210   | 225 | 52   |
| 7   | 180   | 128   | 157.3 | 262   | 210   | 225 | 52   |
| 7   | 180   | 128   | 157.3 | 262   | 210   | 225 | 52   |
| 7   | 180   | 145   | 174.3 | 262   | 210   | 225 | 52   |
| 7   | 180   | 145   | 174.3 | 262   | 210   | 225 | 52   |
| 7   | 180   | 145   | 174.3 | 262   | 210   | 225 | 52   |
| 7   | 180   | 163   | 192.3 | 262   | 210   | 225 | 52   |
| 7   | 180   | 163   | 192.3 | 262   | 210   | 225 | 52   |
| 7   | 180   | 163   | 192.3 | 262   | 210   | 225 | 52   |
| 7   | 180   | 163   | 192.3 | 262   | 210   | 225 | 52   |
| 7   | 180   | 198   | 227.3 | 262   | 210   | 225 | 52   |
| 7   | 180   | 198   | 227.3 | 262   | 210   | 225 | 52   |
| 7   | 180   | 198   | 227.3 | 262   | 210   | 225 | 52   |
| 7   | 180   | 250.5 | 279.7 | 262   | 210   | 225 | 52   |
| 7   | 180   | 250.5 | 279.7 | 262   | 210   | 225 | 52   |
| 7   | 180   | 303   | 332.2 | 262   | 210   | 225 | 52   |
| 7   | 180   | 303   | 332.2 | 262   | 210   | 225 | 52   |
| 7   | 180   | 303   | 332.2 | 262   | 210   | 225 | 52   |
| 7   | 180   | 303   | 332.2 | 262   | 210   | 225 | 52   |
| 7   | 180   | 303   | 332.2 | 262   | 210   | 225 | 52   |
| 7   | 180   | 303   | 332.2 | 262   | 210   | 225 | 52   |

ELECTRICAL GROUP

ELECTRICAL GROUP

# AC ELECTRIC MOTORS

- Highest quality at a competitive price
- NEMA premium available
- 1/3 HP to 10 HP
- 460V, 3 phases – 60 Hz
- 575V, 3 phases – 60 Hz
- Up to 300 HP
- Frame from 143T to 449TSC



# AC ELECTRIC MOTORS

## ROLLED STEEL SERIES

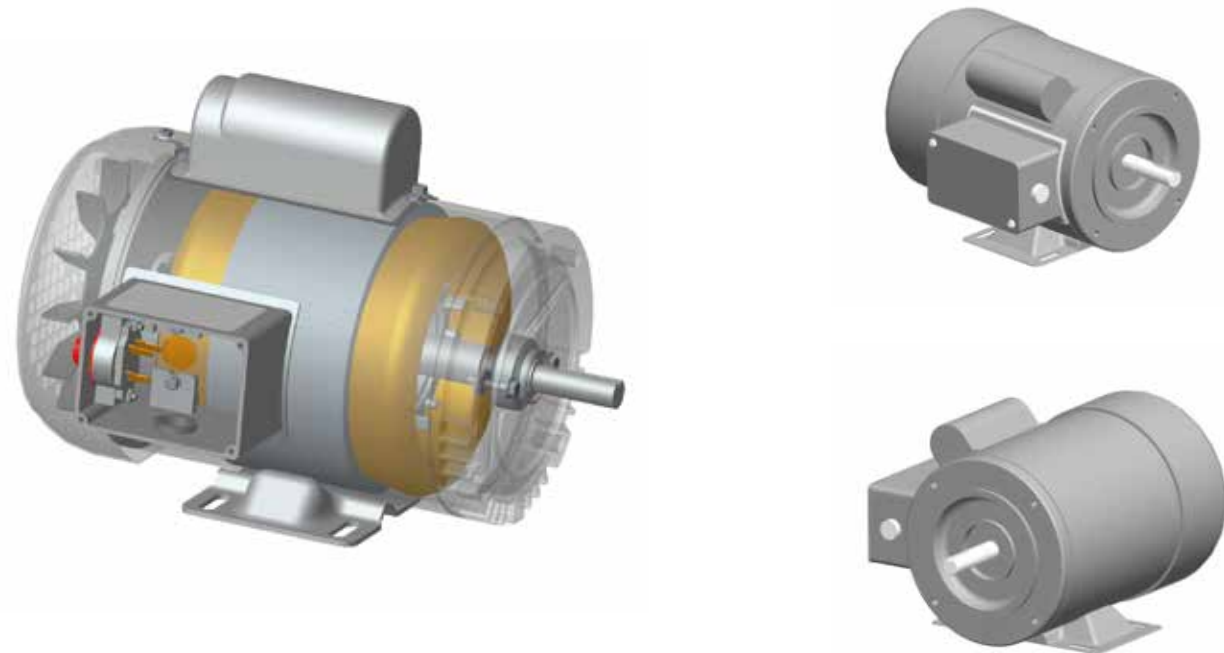
| STANDARD FEATURES  | OPTIONAL FEATURES   | APPLICATIONS  |
|--|---|---|
| <ul style="list-style-type: none"> <li>• 115/208-230 V, 208-230/460 V, 575 V</li> <li>• Steel frame</li> <li>• Ball bearing construction</li> <li>• Totally enclosed fan-cooled (TEFC)</li> <li>• Steel fan cover</li> <li>• 1.15 service factor</li> <li>• Reversible rotation</li> <li>• NEMA "C" Flange</li> <li>• Removable base</li> <li>• Capacitor start for high starting torque (single phase)</li> </ul> | <ul style="list-style-type: none"> <li>• Inverter duty magnet wiring</li> <li>• Special design to fit specific application</li> <li>• Overload protection (single phase)</li> </ul> | <ul style="list-style-type: none"> <li>• Feeders</li> <li>• Conveyors</li> <li>• Fans</li> <li>• Compressors</li> <li>• Spray washers</li> <li>• Grinders</li> <li>• Elevators</li> <li>• Pumps</li> <li>• Agricultural</li> <li>• Other applications that require high starting torques and applications as per customer requirements</li> </ul> |

# AC ELECTRIC MOTORS

## ROLLED STEEL SERIES – 115/230 V, 1 PHASE, 60 HZ CAPACITOR START – NEMA C-FACE WITH REMOVABLE BASE

| Ouput    | NEMA frame | Rated speed | Current FLA | Service factor NEMA | Enclosure | Base      | Thermal protection | Notes |
|----------|------------|-------------|-------------|---------------------|-----------|-----------|--------------------|-------|
| HP       |            | RPM         | A           |                     |           |           |                    |       |
| 3600 rpm |            |             |             |                     |           |           |                    |       |
| 1/3      | 56C        | 1725        | 6.3/3.1     | 1.15                | TEFC      | Removable | OP                 | 1     |
| 1/2      | 56C        | 1725        | 8.4/4.0     | 1.15                | TEFC      | Removable | OP                 | 1     |
| 3/4      | 56C        | 1725        | 10.6/5.3    | 1.15                | TEFC      | Removable | OP                 | 1     |
| 1        | 56C        | 1725        | 11.2/5.6    | 1.15                | TEFC      | Removable | OP                 | 1     |
| 1.5      | 56C        | 1725        | 14.2/7.1    | 1.15                | TEFC      | Removable | None               | 2     |
| 2        | 56C        | 1725        | 18.2/9.1    | 1.15                | TEFC      | Removable | None               | 2     |
| 1800 rpm |            |             |             |                     |           |           |                    |       |
| 1/3      | 56C        | 1725        | 6.6/3.3     | 1.15                | TEFC      | Removable | OP                 | 1     |
| 1/2      | 56C        | 1725        | 8.8/4.2     | 1.15                | TEFC      | Removable | OP                 | 1     |
| 3/4      | 56C        | 1725        | 11.05/5.5   | 1.15                | TEFC      | Removable | OP                 | 1     |
| 1        | 56C        | 1725        | 13.6/6.8    | 1.15                | TEFC      | Removable | OP                 | 1     |
| 1.5      | 56C        | 1725        | 15.2/7.6    | 1.15                | TEFC      | Removable | None               | 2     |
| 2        | 56C        | 1725        | 20.0/10.0   | 1.15                | TEFC      | Removable | None               | 2     |

1. Capacitor start induction run design
2. Capacitor start - Capacitor run design for reduced amperage





## AC ELECTRIC MOTORS

ROLLED STEEL SERIES – 115/230 V, 208-230 V, 1 PHASE, 60 HZ - CAPACITOR START – CAPACITOR RUN - NEMA C-FACE WITH REMOVABLE BASE

| Ouput    | NEMA frame | Rated speed | Current FLA    | Service factor NEMA | Enclosure | Base  | Thermal protection | Notes |
|----------|------------|-------------|----------------|---------------------|-----------|-------|--------------------|-------|
| HP       |            | RPM         | A              |                     |           |       |                    |       |
| 3600 rpm |            |             |                |                     |           |       |                    |       |
| 2        | 145T       | 3450        | 18.2/10.1-9.1  | 1.15                | TEFC      | Fixed | None               | 2     |
| 3        | 182T       | 3450        | 13.0/12.0      | 1.15                | TEFC      | Fixed | None               | 2     |
| 5        | 184T       | 3450        | 24.2/21.0      | 1.15                | TEFC      | Fixed | None               | 2     |
| 7.5      | 213T       | 3450        | 34.4/30.0      | 1.15                | TEFC      | Fixed | None               | 2     |
| 10       | 213T       | 3450        | 44.0/38.0      | 1.15                | TEFC      | Fixed | None               | 2     |
| 1800 rpm |            |             |                |                     |           |       |                    |       |
| 2        | 145T       | 1725        | 20.0/11.0-10.0 | 1.15                | TEFC      | Fixed | None               | 2     |
| 3        | 182T       | 1725        | 15.5/14.0      | 1.15                | TEFC      | Fixed | None               | 2     |
| 5        | 184T       | 1725        | 26.0/22.5      | 1.15                | TEFC      | Fixed | None               | 2     |
| 7.5      | 213T       | 1725        | 36.8/32.0      | 1.15                | TEFC      | Fixed | None               | 2     |
| 10       | 215T       | 1725        | 46.0/40.0      | 1.15                | TEFC      | Fixed | None               | 2     |

2. Capacitor start – Capacitor run design for reduced amperage



## AC ELECTRIC MOTORS

ROLLED STEEL SERIES – 208-230/460 V, 3 PHASES, 60HZ – END MOUNTED – NEMA C-FACE WITH REMOVABLE BASE

| Ouput    | NEMA frame | Rated speed | Current FLA | Service factor NEMA | Enclosure | Base       | Thermal protection |
|----------|------------|-------------|-------------|---------------------|-----------|------------|--------------------|
| HP       |            | RPM         | A           |                     |           |            |                    |
| 3600 rpm |            |             |             |                     |           |            |                    |
| 1/3      | 56C        | 3450        | 1.6-1.5/0.8 | 1.15                | TEFC      | Detachable | None               |
| 1/2      | 56C        | 3450        | 2.3-2.2/1.1 | 1.15                | TEFC      | Detachable | None               |
| 3/4      | 56C        | 3450        | 3.0-2.9/1.5 | 1.15                | TEFC      | Detachable | None               |
| 1        | 56C        | 3450        | 3.8-3.6/1.8 | 1.15                | TEFC      | Detachable | None               |
| 1.5      | 56C        | 3450        | 4.8-4.6/2.3 | 1.15                | TEFC      | Detachable | None               |
| 2        | 56C        | 3450        | 6.2-6.0/3.0 | 1.15                | TEFC      | Detachable | None               |
| 1800 rpm |            |             |             |                     |           |            |                    |
| 1/3      | 56C        | 1725        | 1.7-1.6/0.8 | 1.15                | TEFC      | Detachable | None               |
| 1/2      | 56C        | 1725        | 2.2-2.0/1.0 | 1.15                | TEFC      | Detachable | None               |
| 3/4      | 56C        | 1725        | 3.0-2.8/1.4 | 1.15                | TEFC      | Detachable | None               |
| 1        | 56C        | 1725        | 4.0-3.9/1.8 | 1.15                | TEFC      | Detachable | None               |
| 1.5      | 56C        | 1725        | 5.0-4.8/2.3 | 1.15                | TEFC      | Detachable | None               |
| 2        | 56C        | 1725        | 6.4-6.2/3.0 | 1.15                | TEFC      | Detachable | None               |



ELECTRICAL GROUP

ELECTRICAL GROUP

## AC ELECTRIC MOTORS

ROLLED STEEL SERIES – 575 V, 3 PHASES, 60HZ - END MOUNTED - NEMA C-FACE WITH REMOVABLE BASE

| Ouput    | NEMA frame | Rated speed | Current FLA | Service factor NEMA | Enclosure | Base       | Thermal protection |
|----------|------------|-------------|-------------|---------------------|-----------|------------|--------------------|
| HP       |            | RPM         | A           |                     |           |            |                    |
| 3600 rpm |            |             |             |                     |           |            |                    |
| 1/3      | 56C        | 3450        | 0.6         | 1.15                | TEFC      | Detachable | None               |
| 1/2      | 56C        | 3450        | 0.8         | 1.15                | TEFC      | Detachable | None               |
| 3/4      | 56C        | 3450        | 1.0         | 1.15                | TEFC      | Detachable | None               |
| 1        | 56C        | 3450        | 1.2         | 1.15                | TEFC      | Detachable | None               |
| 1.5      | 56C        | 3450        | 1.6         | 1.15                | TEFC      | Detachable | None               |
| 2        | 56C        | 3450        | 2.0         | 1.15                | TEFC      | Detachable | None               |
| 1800 rpm |            |             |             |                     |           |            |                    |
| 1/3      | 56C        | 1725        | 0.6         | 1.15                | TEFC      | Detachable | None               |
| 1/2      | 56C        | 1725        | 0.8         | 1.15                | TEFC      | Detachable | None               |
| 3/4      | 56C        | 1725        | 1.1         | 1.15                | TEFC      | Detachable | None               |
| 1        | 56C        | 1725        | 1.3         | 1.15                | TEFC      | Detachable | None               |
| 1.5      | 56C        | 1725        | 1.8         | 1.15                | TEFC      | Detachable | None               |
| 2        | 56C        | 1725        | 2.4         | 1.15                | TEFC      | Detachable | None               |

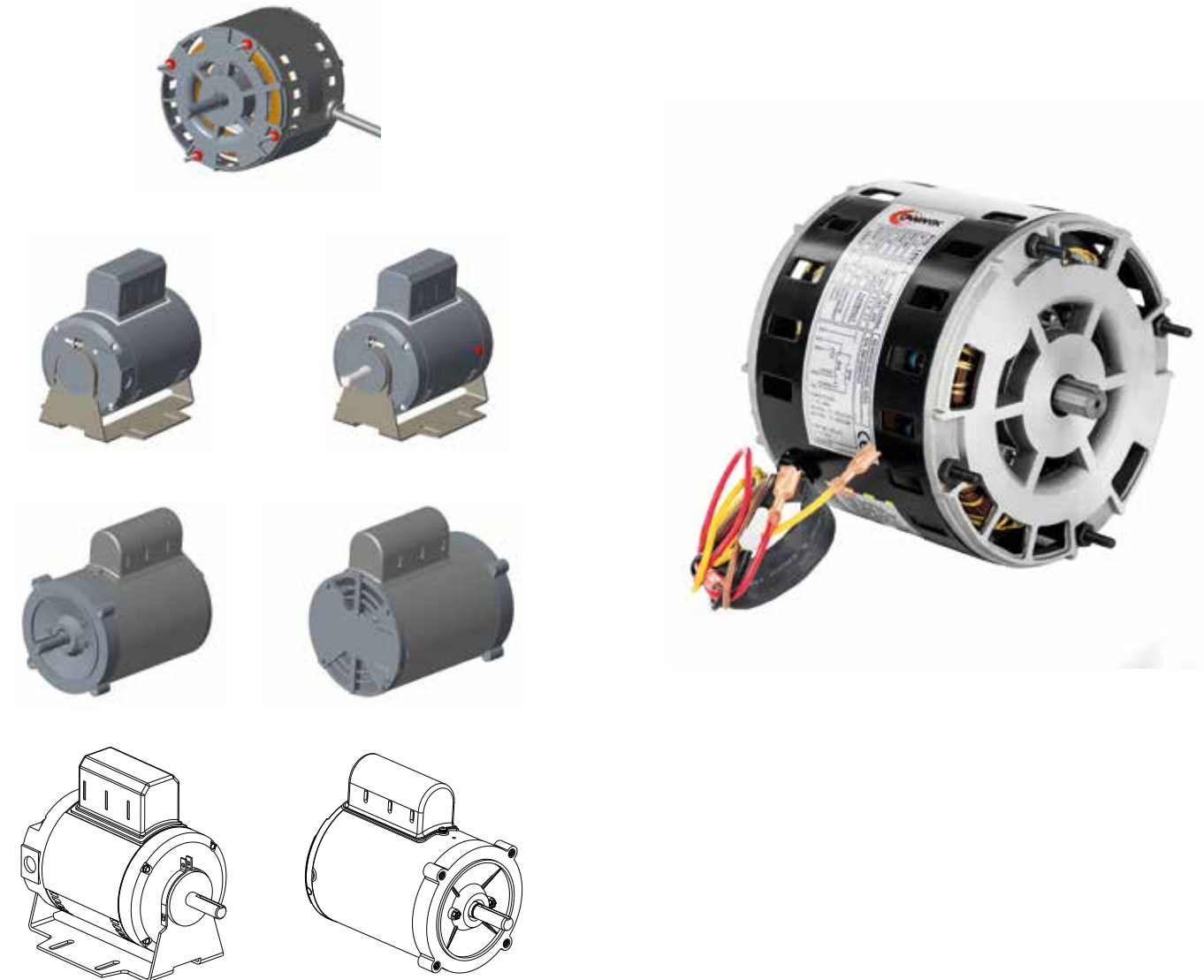


## AC ELECTRIC MOTORS

CUSTOM-BUILT

Our custom-built solutions offer motors manufactured to fulfill your specific application requirements.

- Open, ODP, TENV, others
- Explosion proof
- Specific service factors (1.15, 1.25, 1.40, 1.50)
- Specific flanges as per NEMA, IEC, SAE (for pump motors)
- Custom mounting possibilities (brackets, mounting holes, etc.)
- Specific overload / Thermal protection
- Custom power distribution possibilities (custom harnessing, power studs, junction box, etc.)
- Colour (RAL), chrome, E-coated, anodized
- Personalized nameplate (brand name, dimensions, background, etc.)



# AC ELECTRIC MOTORS

CAST IRON SERIES

| STANDARD FEATURES  | OPTIONAL FEATURES  | APPLICATIONS   |
|--|--|--|
| <ul style="list-style-type: none"> <li>• 208-230/460 V, 200 V, 380 V, 460 V or 575 V</li> <li>• NEMA premium efficiency</li> <li>• Cast iron frame</li> <li>• Frame size: 143T to 449T</li> <li>• Totally enclosed fan-cooled (TEFC)</li> <li>• ULC approved</li> <li>• 40°C ambient</li> <li>• NEMA design B performance</li> <li>• 1.15 service factor</li> <li>• Class F insulation</li> <li>• Suitable for VFD application</li> <li>• SKF/NSK/NTN ball bearing</li> <li>• NPT threaded terminal box</li> <li>• Foot mounted</li> <li>• Lifting provision for all frames</li> </ul> | <ul style="list-style-type: none"> <li>• Special voltages</li> <li>• Special design shaft</li> <li>• Space heaters</li> <li>• Thermistors (PT100)</li> <li>• "C" and "D" flanges for all ratings</li> <li>• Roller bearing available on drive end</li> </ul> | <ul style="list-style-type: none"> <li>• Pumps</li> <li>• Fans</li> <li>• Air compressors</li> <li>• Conveyors</li> <li>• Chemical plants</li> <li>• Cement mills</li> <li>• Other standard industrial applications and applications as per customer requirements</li> </ul> |



# AC ELECTRIC MOTORS

CAST IRON SERIES – 460 V, 3 PHASES, 60HZ

| Output             | NEMA frame    | Rated speed | Current | Efficiency | Power factor 100 | Locked current | Rated torque | Weight |
|--------------------|---------------|-------------|---------|------------|------------------|----------------|--------------|--------|
| HP                 |               | RPM         | A       | %          |                  | A              | Nm           | lb     |
| 3600 rpm (2 poles) |               |             |         |            |                  |                |              |        |
| 1                  | 143T<br>143TC | 3445        | 1.5     | 77.0       | 0.84             | 15             | 2.0          | 53     |
| 1.5                | 143T<br>143TC | 3445        | 1.9     | 84.0       | 0.87             | 20             | 2.0          | 53     |
| 2                  | 145T<br>145TC | 3445        | 2.5     | 85.5       | 0.88             | 25             | 4.1          | 55     |
| 3                  | 182T<br>182TC | 3505        | 3.6     | 86.5       | 0.89             | 32             | 6.1          | 90     |
| 5                  | 184T<br>184TC | 3505        | 5.8     | 88.5       | 0.92             | 46             | 10.2         | 105    |
| 7.5                | 213T<br>213TC | 3505        | 8.6     | 89.5       | 0.91             | 63.5           | 15.2         | 150    |
| 10                 | 215T<br>215TC | 3505        | 11.3    | 90.2       | 0.92             | 81             | 20.3         | 165    |
| 15                 | 254T<br>254TC | 3520        | 17.0    | 91.0       | 0.91             | 116            | 30.4         | 260    |
| 20                 | 256T<br>256TC | 3515        | 22.4    | 91.0       | 0.92             | 145            | 40.5         | 300    |
| 25                 | 284T          | 3535        | 28.2    | 91.7       | 0.91             | 182.5          | 50.2         | 380    |
|                    | 284TC         |             |         |            |                  |                |              |        |
|                    | 284TS         |             |         |            |                  |                |              |        |
|                    | 284TSC        |             |         |            |                  |                |              |        |
| 30                 | 286T          | 3525        | 34.1    | 91.7       | 0.90             | 217.5          | 60.3         | 410    |
|                    | 286TC         |             |         |            |                  |                |              |        |
|                    | 286TS         |             |         |            |                  |                |              |        |
|                    | 286TSC        |             |         |            |                  |                |              |        |
| 40                 | 324T          | 3540        | 45.3    | 92.4       | 0.90             | 290            | 80.0         | 550    |
|                    | 324TC         |             |         |            |                  |                |              |        |
|                    | 324TS         |             |         |            |                  |                |              |        |
|                    | 324TSC        |             |         |            |                  |                |              |        |
| 50                 | 326T          | 3550        | 56.1    | 93.0       | 0.90             | 362.5          | 100          | 560    |
|                    | 326TC         |             |         |            |                  |                |              |        |
|                    | 326TS         |             |         |            |                  |                |              |        |
|                    | 326TSC        |             |         |            |                  |                |              |        |
| 60                 | 364T          | 3560        | 67.8    | 93.6       | 0.89             | 435            | 120          | 780    |
|                    | 364TC         |             |         |            |                  |                |              |        |
|                    | 364TS         |             |         |            |                  |                |              |        |
|                    | 364TSC        |             |         |            |                  |                |              |        |



ELECTRICAL GROUP

ELECTRICAL GROUP

# AC ELECTRIC MOTORS

CAST IRON SERIES – 460 V, 3 PHASES, 60HZ

| Ouput              | NEMA frame | Rated speed | Current | Efficiency | Power factor 100 | Locked current | Rated torque | Weight |
|--------------------|------------|-------------|---------|------------|------------------|----------------|--------------|--------|
| HP                 |            | RPM         | A       | %          | 100              | A              | Nm           | lb     |
| 3600 rpm (2 poles) |            |             |         |            |                  |                |              |        |
| 75                 | 365T       | 3565        | 83.4    | 93.6       | 0.90             | 542.5          | 151          | 820    |
|                    | 365TC      |             |         |            |                  |                |              |        |
|                    | 365TS      |             |         |            |                  |                |              |        |
|                    | 365TSC     |             |         |            |                  |                |              |        |
| 100                | 405T       | 3565        | 110     | 94.1       | 0.91             | 725            | 199          | 1110   |
|                    | 405TC      |             |         |            |                  |                |              |        |
|                    | 405TS      |             |         |            |                  |                |              |        |
|                    | 405TSC     |             |         |            |                  |                |              |        |
| 125                | 444T       | 3570        | 137.1   | 95.0       | 0.90             | 907.5          | 250          | 1610   |
|                    | 444TC      |             |         |            |                  |                |              |        |
|                    | 444TS      |             |         |            |                  |                |              |        |
|                    | 444TSC     |             |         |            |                  |                |              |        |
| 150                | 445T       | 3570        | 163.1   | 95.0       | 0.91             | 1085           | 298          | 1770   |
|                    | 445TC      |             |         |            |                  |                |              |        |
|                    | 445TS      |             |         |            |                  |                |              |        |
|                    | 445TSC     |             |         |            |                  |                |              |        |
| 200                | 447T       | 3570        | 215.8   | 95.4       | 0.91             | 1450           | 399          | 1900   |
|                    | 447TC      |             |         |            |                  |                |              |        |
|                    | 447TS      |             |         |            |                  |                |              |        |
|                    | 447TSC     |             |         |            |                  |                |              |        |
| 250                | 449T       | 3575        | 271.6   | 95.8       | 0.90             | 1825           | 498          | 2430   |
|                    | 449TC      |             |         |            |                  |                |              |        |
|                    | 449TS      |             |         |            |                  |                |              |        |
|                    | 449TSC     |             |         |            |                  |                |              |        |
| 300                | 449T       | 3575        | 329.6   | 95.8       | 0.90             | 2200           | 598          | 2800   |
|                    | 449TC      |             |         |            |                  |                |              |        |
|                    | 449TS      |             |         |            |                  |                |              |        |
|                    | 449TSC     |             |         |            |                  |                |              |        |
| 1800 rpm (4 poles) |            |             |         |            |                  |                |              |        |
| 1                  | 143T       | 1725        | 1.6     | 85.5       | 0.69             | 15             | 4.1          | 53     |
|                    | 143TC      |             |         |            |                  |                |              |        |
| 1.5                | 145T       | 1720        | 2.2     | 86.5       | 0.75             | 20             | 6.0          | 55     |
|                    | 145TC      |             |         |            |                  |                |              |        |
| 2                  | 145T       | 1720        | 2.8     | 86.5       | 0.76             | 25             | 8.1          | 55     |
|                    | 145TC      |             |         |            |                  |                |              |        |
| 3                  | 182T       | 1745        | 3.7     | 89.5       | 0.85             | 32             | 12.2         | 90     |
|                    | 182TC      |             |         |            |                  |                |              |        |
| 5                  | 184T       | 1740        | 5.9     | 89.5       | 0.88             | 46             | 20.3         | 105    |
|                    | 184TC      |             |         |            |                  |                |              |        |
| 7.5                | 213T       | 1750        | 9.0     | 91.7       | 0.85             | 63.5           | 30.2         | 150    |
|                    | 213TC      |             |         |            |                  |                |              |        |
| 10                 | 215T       | 1745        | 12.0    | 91.7       | 0.85             | 81             | 40.7         | 165    |
|                    | 215TC      |             |         |            |                  |                |              |        |
| 15                 | 254T       | 1760        | 17.7    | 92.4       | 0.86             | 116            | 60.5         | 260    |
|                    | 254TC      |             |         |            |                  |                |              |        |

# AC ELECTRIC MOTORS

CAST IRON SERIES – 575 V, 3 PHASES, 60HZ

| Ouput              | NEMA frame | Rated speed | Current | Efficiency | Power factor 100 | Locked current | Rated torque | Weight |
|--------------------|------------|-------------|---------|------------|------------------|----------------|--------------|--------|
| HP                 |            | RPM         | A       | %          | 100              | A              | Nm           | lb     |
| 3600 rpm (2 poles) |            |             |         |            |                  |                |              |        |
| 1                  | 143T       | 3445        | 1.20    | 77.0       | 0.84             | 15             | 2.0          | 53     |
|                    | 143TC      |             |         |            |                  |                |              |        |
| 1.5                | 143T       | 3445        | 1.59    | 84.0       | 0.87             | 20             | 2.0          | 53     |
|                    | 143TC      |             |         |            |                  |                |              |        |
| 2                  | 145T       | 3445        | 2.06    | 85.5       | 0.88             | 25             | 4.1          | 55     |
|                    | 145TC      |             |         |            |                  |                |              |        |
| 3                  | 182T       | 3505        | 3.02    | 86.5       | 0.89             | 32             | 6.1          | 90     |
|                    | 182TC      |             |         |            |                  |                |              |        |
| 5                  | 184T       | 3505        | 4.81    | 88.5       | 0.92             | 46             | 10.2         | 105    |
|                    | 185TC      |             |         |            |                  |                |              |        |
| 7.5                | 213T       | 3505        | 7.13    | 89.5       | 0.91             | 63.5           | 15.2         | 150    |
|                    | 213TC      |             |         |            |                  |                |              |        |
| 10                 | 215T       | 3505        | 9.33    | 90.2       | 0.92             | 81             | 20.3         | 165    |
|                    | 215TC      |             |         |            |                  |                |              |        |
| 15                 | 254T       | 3520        | 14.19   | 91.0       | 0.91             | 116            | 30.4         | 260    |
|                    | 254TC      |             |         |            |                  |                |              |        |
| 20                 | 256T       | 3515        | 18.70   | 91.0       | 0.92             | 145            | 40.5         | 300    |
|                    | 256TC      |             |         |            |                  |                |              |        |
| 25                 | 284T       | 3535        | 23.46   | 91.7       | 0.91             | 182.5          | 50.2         | 380    |
|                    | 284TC      |             |         |            |                  |                |              |        |
|                    | 284TS      |             |         |            |                  |                |              |        |
|                    | 284TSC     |             |         |            |                  |                |              |        |
| 30                 | 286T       | 3525        | 28.16   | 91.7       | 0.90             | 217.5          | 60.3         | 410    |
|                    | 286TC      |             |         |            |                  |                |              |        |
|                    | 286TS      |             |         |            |                  |                |              |        |
|                    | 286TSC     |             |         |            |                  |                |              |        |
| 40                 | 324T       | 3540        | 42.27   | 92.4       | 0.90             | 290            | 80.0         | 550    |
|                    | 324TC      |             |         |            |                  |                |              |        |
|                    | 324TS      |             |         |            |                  |                |              |        |
|                    | 324TSC     |             |         |            |                  |                |              |        |
| 50                 | 326T       | 3550        | 46.81   | 93.0       | 0.90             | 362.5          | 100          | 560    |
|                    | 326TC      |             |         |            |                  |                |              |        |
|                    | 326TS      |             |         |            |                  |                |              |        |
|                    | 326TSC     |             |         |            |                  |                |              |        |
| 60                 | 364T       | 3560        | 56.47   | 93.6       | 0.89             | 435            | 120          | 780    |
|                    | 364TC      |             |         |            |                  |                |              |        |
|                    | 364TS      |             |         |            |                  |                |              |        |
|                    | 364TSC     |             |         |            |                  |                |              |        |
| 75                 | 365T       | 3565        | 69.76   | 93.6       | 0.90             | 542.5          | 151          | 820    |
|                    | 365TC      |             |         |            |                  |                |              |        |
|                    | 365TS      |             |         |            |                  |                |              |        |
|                    | 365TSC     |             |         |            |                  |                |              |        |
| 100                | 405T       | 3565        | 91.46   | 94.1       | 0.91             | 725            | 199          | 1110   |
|                    | 405TC      |             |         |            |                  |                |              |        |
|                    | 405TS      |             |         |            |                  |                |              |        |
|                    | 405TSC     |             |         |            |                  |                |              |        |
| 125                | 444T       | 3570        | 113.24  | 95.0       | 0.90             | 907.5          | 250          | 1610   |
|                    | 444TC      |             |         |            |                  |                |              |        |
|                    | 444TS      |             |         |            |                  |                |              |        |
|                    | 444TSC     |             |         |            |                  |                |              |        |



# AC ELECTRIC MOTORS

CAST IRON SERIES – 575 V, 3 PHASES, 60HZ

| Ouput              | NEMA frame | Rated speed | Current | Efficiency | Power factor 100 | Locked current | Rated torque | Weight |
|--------------------|------------|-------------|---------|------------|------------------|----------------|--------------|--------|
| HP                 |            | RPM         | A       | %          | 100              | A              | Nm           | lb     |
| 3600 rpm (2 poles) |            |             |         |            |                  |                |              |        |
| 150                | 445T       | 3570        | 135.89  | 95.0       | 0.91             | 1085           | 298          | 1770   |
|                    | 445TC      |             |         |            |                  |                |              |        |
|                    | 445TS      |             |         |            |                  |                |              |        |
|                    | 445TSC     |             |         |            |                  |                |              |        |
| 200                | 447T       | 3570        | 178.38  | 95.4       | 0.91             | 1450           | 399          | 1900   |
|                    | 447TC      |             |         |            |                  |                |              |        |
|                    | 447TS      |             |         |            |                  |                |              |        |
|                    | 447TSC     |             |         |            |                  |                |              |        |
| 250                | 449T       | 3575        | 222.04  | 95.8       | 0.90             | 1825           | 498          | 2430   |
|                    | 449TC      |             |         |            |                  |                |              |        |
|                    | 449TS      |             |         |            |                  |                |              |        |
|                    | 449TSC     |             |         |            |                  |                |              |        |
| 300                | 449T       | 3575        | 266.45  | 95.8       | 0.90             | 2200           | 598          | 2800   |
|                    | 449TC      |             |         |            |                  |                |              |        |
|                    | 449TS      |             |         |            |                  |                |              |        |
|                    | 449TSC     |             |         |            |                  |                |              |        |
| 1800 rpm (4 poles) |            |             |         |            |                  |                |              |        |
| 1                  | 143T       | 1725        | 1.33    | 85.5       | 0.69             | 15             | 4.1          | 53     |
| 1.5                | 143TC      | 1720        | 1.80    | 86.5       | 0.75             | 20             | 6.0          | 55     |
|                    | 145TC      |             |         |            |                  |                |              |        |
| 2                  | 145T       | 1720        | 2.37    | 86.5       | 0.76             | 25             | 8.1          | 55     |
|                    | 145TC      |             |         |            |                  |                |              |        |
| 3                  | 182T       | 1745        | 3.10    | 89.5       | 0.85             | 32             | 12.2         | 90     |
|                    | 182TC      |             |         |            |                  |                |              |        |
| 5                  | 184T       | 1740        | 4.92    | 89.5       | 0.88             | 46             | 20.3         | 105    |
|                    | 184TC      |             |         |            |                  |                |              |        |
| 7.5                | 213T       | 1750        | 7.56    | 91.7       | 0.85             | 63.5           | 30.2         | 150    |
|                    | 213TC      |             |         |            |                  |                |              |        |
| 10                 | 215T       | 1745        | 9.96    | 91.7       | 0.85             | 81             | 40.7         | 165    |
|                    | 215TC      |             |         |            |                  |                |              |        |
| 15                 | 254T       | 1760        | 14.81   | 92.4       | 0.86             | 116            | 60.5         | 260    |
|                    | 254TC      |             |         |            |                  |                |              |        |
| 20                 | 256T       | 1755        | 19.17   | 93.0       | 0.88             | 145            | 80.8         | 300    |
|                    | 256TC      |             |         |            |                  |                |              |        |
| 25                 | 284T       | 1765        | 23.53   | 93.6       | 0.89             | 182.5          | 101          | 380    |
|                    | 284TC      |             |         |            |                  |                |              |        |
|                    | 284TS      |             |         |            |                  |                |              |        |
|                    | 284TSC     |             |         |            |                  |                |              |        |
| 30                 | 286T       | 1760        | 28.23   | 93.6       | 0.89             | 217.5          | 121          | 410    |
|                    | 286TC      |             |         |            |                  |                |              |        |
|                    | 286TS      |             |         |            |                  |                |              |        |
|                    | 286TSC     |             |         |            |                  |                |              |        |
| 40                 | 324T       | 1770        | 37.01   | 94.1       | 0.89             | 290            | 160          | 550    |
|                    | 324TC      |             |         |            |                  |                |              |        |
|                    | 324TS      |             |         |            |                  |                |              |        |
|                    | 324TSC     |             |         |            |                  |                |              |        |
| 50                 | 326T       | 1770        | 46.07   | 94.5       | 0.90             | 362.5          | 201          | 550    |
|                    | 326TC      |             |         |            |                  |                |              |        |
|                    | 326TS      |             |         |            |                  |                |              |        |
|                    | 326TSC     |             |         |            |                  |                |              |        |

# AC ELECTRIC MOTORS

CAST IRON SERIES – 575 V, 3 PHASES, 60HZ

| Ouput              | NEMA frame | Rated speed | Current | Efficiency | Power factor 100 | Locked current | Rated torque | Weight |
|--------------------|------------|-------------|---------|------------|------------------|----------------|--------------|--------|
| HP                 |            | RPM         | A       | %          | 100              | A              | Nm           | lb     |
| 1800 rpm (4 poles) |            |             |         |            |                  |                |              |        |
| 60                 | 364T       | 1775        | 56.30   | 95.0       | 0.87             | 435            | 240          | 780    |
|                    | 364TC      |             |         |            |                  |                |              |        |
|                    | 364TS      |             |         |            |                  |                |              |        |
|                    | 364TSC     |             |         |            |                  |                |              |        |
| 75                 | 365T       | 1775        | 69.25   | 95.4       | 0.88             | 542.5          | 300          | 820    |
|                    | 365TC      |             |         |            |                  |                |              |        |
|                    | 365TS      |             |         |            |                  |                |              |        |
|                    | 365TSC     |             |         |            |                  |                |              |        |
| 100                | 405T       | 1775        | 92.34   | 95.4       | 0.88             | 725            | 400          | 1110   |
|                    | 405TC      |             |         |            |                  |                |              |        |
|                    | 405TS      |             |         |            |                  |                |              |        |
|                    | 405TSC     |             |         |            |                  |                |              |        |
| 125                | 444T       | 1780        | 114.08  | 95.4       | 0.90             | 907.5          | 499          | 1530   |
|                    | 444TC      |             |         |            |                  |                |              |        |
|                    | 444TS      |             |         |            |                  |                |              |        |
|                    | 444TSC     |             |         |            |                  |                |              |        |
| 150                | 445T       | 1780        | 134.76  | 95.8       | 0.90             | 1085           | 598          | 1640   |
|                    | 4445TC     |             |         |            |                  |                |              |        |
|                    | 445TS      |             |         |            |                  |                |              |        |
|                    | 445TSC     |             |         |            |                  |                |              |        |
| 200                | 447T       | 1785        | 178.93  | 96.2       | 0.91             | 1450           | 799          | 1860   |
|                    | 447TC      |             |         |            |                  |                |              |        |
|                    | 447TS      |             |         |            |                  |                |              |        |
|                    | 447TSC     |             |         |            |                  |                |              |        |
| 250                | 449T       | 1785        | 226.26  | 96.2       | 0.90             | 1825           | 998          | 2430   |
|                    | 449TC      |             |         |            |                  |                |              |        |
|                    | 449TS      |             |         |            |                  |                |              |        |
|                    | 449TSC     |             |         |            |                  |                |              |        |
| 300                | 449T       | 1785        | 265.35  | 96.2       | 0.89             | 2200           | 1198         | 2800   |
|                    | 449TC      |             |         |            |                  |                |              |        |
|                    | 449TS      |             |         |            |                  |                |              |        |
|                    | 449TSC     |             |         |            |                  |                |              |        |
| 1200 rpm (6 poles) |            |             |         |            |                  |                |              |        |
| 1                  | 145T       | 1150        | 1.33    | 82.5       | 0.72             | 15             | 6.1          | 55     |
| 1.5                | 145TC      | 1160        | 1.81    | 87.5       | 0.74             | 20             | 9.1          | 90     |
|                    | 182TC      |             |         |            |                  |                |              |        |
| 2                  | 184T       | 1155        | 2.38    | 88.5       | 0.74             | 25             | 12.2         | 105    |
|                    | 184TC      |             |         |            |                  |                |              |        |
| 3                  | 213T       | 1170        | 3.53    | 89.5       | 0.75             | 32             | 18.2         | 150    |
|                    | 213TC      |             |         |            |                  |                |              |        |
| 5                  | 215T       | 1165        | 5.58    | 89.5       | 0.79             | 46             | 30.5         | 165    |
|                    | 215TC      |             |         |            |                  |                |              |        |
| 7.5                | 254T       | 1170        | 7.81    | 91.0       | 0.82             | 63.5           | 45.4         | 260    |
|                    | 254TC      |             |         |            |                  |                |              |        |
| 10                 | 256T       | 1170        | 10.42   | 91.0       | 0.82             | 81             | 60.7         | 300    |
|                    | 256TC      |             |         |            |                  |                |              |        |
| 15                 | 284T       | 1170        | 15.12   | 91.7       | 0.82             | 116            | 90.4         | 360    |
|                    | 284TC      |             |         |            |                  |                |              |        |
|                    | 284TS      |             |         |            |                  |                |              |        |
|                    | 284TSC     |             |         |            |                  |                |              |        |

ELECTRICAL GROUP

ELECTRICAL GROUP

# AC ELECTRIC MOTORS

CAST IRON SERIES – 575 V, 3 PHASES, 60HZ

| Output<br>HP       | NEMA<br>frame | Rated speed<br>RPM | Current<br>A | Efficiency<br>% | Power<br>factor<br>100 | Locked<br>current<br>A | Rated torque<br>Nm | Weight<br>lb |
|--------------------|---------------|--------------------|--------------|-----------------|------------------------|------------------------|--------------------|--------------|
| 1200 rpm (6 poles) |               |                    |              |                 |                        |                        |                    |              |
| 20                 | 286T          | 1170               | 19.92        | 91.7            | 0.82                   | 145                    | 121                | 390          |
|                    | 286TC         |                    |              |                 |                        |                        |                    |              |
|                    | 286TS         |                    |              |                 |                        |                        |                    |              |
|                    | 286TSC        |                    |              |                 |                        |                        |                    |              |
| 25                 | 324T          | 1175               | 25.48        | 93.0            | 0.82                   | 182.5                  | 150                | 550          |
|                    | 324TC         |                    |              |                 |                        |                        |                    |              |
|                    | 324TS         |                    |              |                 |                        |                        |                    |              |
|                    | 324TSC        |                    |              |                 |                        |                        |                    |              |
| 30                 | 326T          | 1175               | 30.57        | 93.0            | 0.82                   | 217.5                  | 180                | 560          |
|                    | 326TC         |                    |              |                 |                        |                        |                    |              |
|                    | 326TS         |                    |              |                 |                        |                        |                    |              |
|                    | 326TSC        |                    |              |                 |                        |                        |                    |              |
| 40                 | 364T          | 1180               | 38.35        | 94.1            | 0.86                   | 290                    | 240                | 780          |
|                    | 364TC         |                    |              |                 |                        |                        |                    |              |
|                    | 364TS         |                    |              |                 |                        |                        |                    |              |
|                    | 364TSC        |                    |              |                 |                        |                        |                    |              |
| 50                 | 365T          | 1180               | 47.93        | 94.1            | 0.88                   | 362.5                  | 301                | 840          |
|                    | 365TC         |                    |              |                 |                        |                        |                    |              |
|                    | 365TS         |                    |              |                 |                        |                        |                    |              |
|                    | 365TSC        |                    |              |                 |                        |                        |                    |              |
| 60                 | 404T          | 1185               | 56.60        | 94.5            | 0.87                   | 435                    | 361                | 1120         |
|                    | 404TC         |                    |              |                 |                        |                        |                    |              |
|                    | 404TS         |                    |              |                 |                        |                        |                    |              |
|                    | 404TSC        |                    |              |                 |                        |                        |                    |              |
| 75                 | 405T          | 1185               | 70.75        | 94.5            | 0.87                   | 542.5                  | 452                | 1220         |
|                    | 405TC         |                    |              |                 |                        |                        |                    |              |
|                    | 405TS         |                    |              |                 |                        |                        |                    |              |
|                    | 405TSC        |                    |              |                 |                        |                        |                    |              |
| 100                | 444T          | 1185               | 93.83        | 95.0            | 0.87                   | 725                    | 601                | 1530         |
|                    | 444TC         |                    |              |                 |                        |                        |                    |              |
|                    | 444TS         |                    |              |                 |                        |                        |                    |              |
|                    | 444TSC        |                    |              |                 |                        |                        |                    |              |
| 125                | 445T          | 1185               | 117.29       | 95.0            | 0.88                   | 907.5                  | 749                | 1700         |
|                    | 445TC         |                    |              |                 |                        |                        |                    |              |
|                    | 445TS         |                    |              |                 |                        |                        |                    |              |
|                    | 445TSC        |                    |              |                 |                        |                        |                    |              |
| 150                | 447T          | 1185               | 139.57       | 95.8            | 0.88                   | 1085                   | 900                | 1970         |
|                    | 447TC         |                    |              |                 |                        |                        |                    |              |
|                    | 447TS         |                    |              |                 |                        |                        |                    |              |
|                    | 447TSC        |                    |              |                 |                        |                        |                    |              |
| 200                | 449T          | 1185               | 186.09       | 95.8            | 0.89                   | 1450                   | 1202               | 2430         |
|                    | 449TC         |                    |              |                 |                        |                        |                    |              |
|                    | 449TS         |                    |              |                 |                        |                        |                    |              |
|                    | 449TSC        |                    |              |                 |                        |                        |                    |              |
| 250                | 449T          | 1185               | 229.88       | 95.8            | 0.85                   | 1825                   | 1503               | 2796         |
|                    | 449TC         |                    |              |                 |                        |                        |                    |              |
|                    | 449TS         |                    |              |                 |                        |                        |                    |              |
|                    | 449TSC        |                    |              |                 |                        |                        |                    |              |



CONTRIBUTING TO PEOPLE'S QUALITY OF LIFE, EVERY DAY.



# DC ELECTRIC MOTORS

- From 1/8 to 1.0 HP
- 12-24 Vdc
- NEMA frame 48Y-56C
- Vibration capacity of 80 lb or 200 lb
- IP67
- Operating temperature : -40°C to 40°C





# DC ELECTRIC MOTORS

## ROLLED STEEL SERIES

| Output | Operating voltage | Power entry configuration                        | Junction box | FLA | Rated speed | Rotational direction | Duty cycle |
|--------|-------------------|--|--------------|-----|-------------|----------------------|------------|
| HP     | VDC               |  |              | A   | RPM         |                      |            |
| 1/8    | 12                | M6*1.00 Brass power studs                        | Yes          | 13  | 600         | CW                   | Cont. S1   |
| 1/6    | 12                | M6*1.00 Brass power studs                        | Yes          | 25  | 350         | CW                   | Cont. S1   |
| 1/2    | 12                | 1/4-20 Brass power studs                         | Yes          | 40  | 1650        | CW                   | Cont. S1   |
| 1/2    | 12                | 1/4-20 Brass power studs                         | Yes          | 40  | 1650        | CW                   | Cont. S1   |
| 1/2    | 12                | 1/4-20 Brass power studs                         | Yes          | 40  | 1650        | CW                   | Cont. S1   |
| 1/2    | 12                | 36" long 8AWG GXL wires with 5/16 stud terminals | Yes          | 40  | 1650        | CW                   | Cont. S1   |
| 1/2    | 12                | 24" long 6AWG cables with 1/4 stud terminals     | No           | 40  | 1700        | CW                   | Cont. S1   |
| 1/2    | 12                | M8*1.25 Brass power studs                        | Yes          | 40  | 1750        | CW                   | Cont. S1   |
| 1/2    | 12                | M8*1.25 Brass power studs                        | Yes          | 40  | 1200        | CW                   | Cont. S1   |
| 3/4    | 12                | 1/4-20 Brass power studs                         | Yes          | 55  | 1725        | CW                   | Cont. S1   |
| 3/4    | 12                | 24" long 6AWG cables with 1/4 stud terminals     | No           | 55  | 1850        | CW                   | Cont. S1   |
| 3/4    | 12                | M8*1.25 Brass power studs                        | No           | 60  | 1750        | CW                   | Cont. S1   |
| 1.0    | 24                | M8*1.25 Brass power studs                        | Yes          | 40  | 1750        | CW                   | Cont. S1   |

\*On special request, IEC flange may be available for rolled steel motors. MOQ is mandatory (100 units for standard rolled steel motors and to be analysed for special requests).

\*\*Custom-built motors may be possible under special request. MOQ is mandatory.

| SF   | NEMA frame | Foot mount     | Enclosure | Material        | Operating temperature range | Application                |
|------|------------|----------------|-----------|-----------------|-----------------------------|----------------------------|
| 1.00 | 48Y        | ---            | TENV      | Stainless steel | -40°F to 175°F              | Spinner for salt spreader  |
| 1.00 | 48Y        | ---            | TENV      | Stainless steel | -40°F to 175°F              | Spinner for salt spreader  |
| 1.00 | 56C        | Removable foot | TENV      | Stainless steel | -40°F to 175°F              | Conveyor for salt spreader |
| 1.25 | 56C        | Removable foot | TENV      | Stainless steel | -40°F to 175°F              | Conveyor for salt spreader |
| 1.00 | 56C        | ---            | TENV      | Stainless steel | -40°F to 175°F              | Conveyor for salt spreader |
| 1.00 | 56C        | Removable foot | TENV      | Stainless steel | -40°F to 175°F              | Conveyor for salt spreader |
| 1.00 | 56C        | ---            | TENV      | Stainless steel | -40°F to 175°F              | Conveyor for salt spreader |
| 1.00 | 56C        | Foot           | TENV      | Stainless steel | -40°F to 175°F              | Standard                   |
| 1.00 | 56C        | Foot           | TENV      | Stainless steel | -40°F to 175°F              | Standard                   |
| 1.00 | 56C        | Removable foot | TENV      | Stainless steel | -40°F to 175°F              | Conveyor for salt spreader |
| 1.00 | 56C        | Removable foot | TENV      | Stainless steel | -40°F to 175°F              | Conveyor for salt spreader |
| 1.00 | 56C        | ---            | TENV      | Rolled Steel    | -40°F to 175°F              | Standard                   |
| 1.00 | 56C        | Foot           | TEFC      | Stainless steel | -40°F to 175°F              | Standard                   |

ELECTRICAL GROUP

ELECTRICAL GROUP



## DC ELECTRIC MOTORS

### EV VIBRATOR – CNX PRODUCT

- OEM replacement
- 200 lb or 80 lb vibration force
- Heavy-duty vibrator motor for 200 lb or 80 lb spreaders with a nominal 12 volt DC power source
- Pressures decay tested
- Low temperature, vibration proof harness, standards SAEJ928 moulded connector type installed. Delphi, AMP or custom sealed connectors available on request
- Counterweight design, speed and motor adapted to match the customer vibration requirements. Canimex owns the equipment to validate vibration parameters
- Permanently greased and sealed bearings to avoid motor brush contamination
- Vibration resistant motor brush assembly
- Cast aluminum housing with a protective coating and stainless steel fasteners
- Black colour
- 12 VDC
- Vibratory force: 200 lb or 80 lb
- Pressured decay tested
- ASTM B117 normalized standards salt spray tested
- Enclosure: IP67
- Insulation class: B
- Harness: UL1015 2x 14 AWG 105°C cable
- Duty cycle: S1 continuous
- Bearing (DE & ODE): 608 permanently lubricated
- Brush lifetime: 1,200 hrs
- Operating temperature: -40°C to 40°C



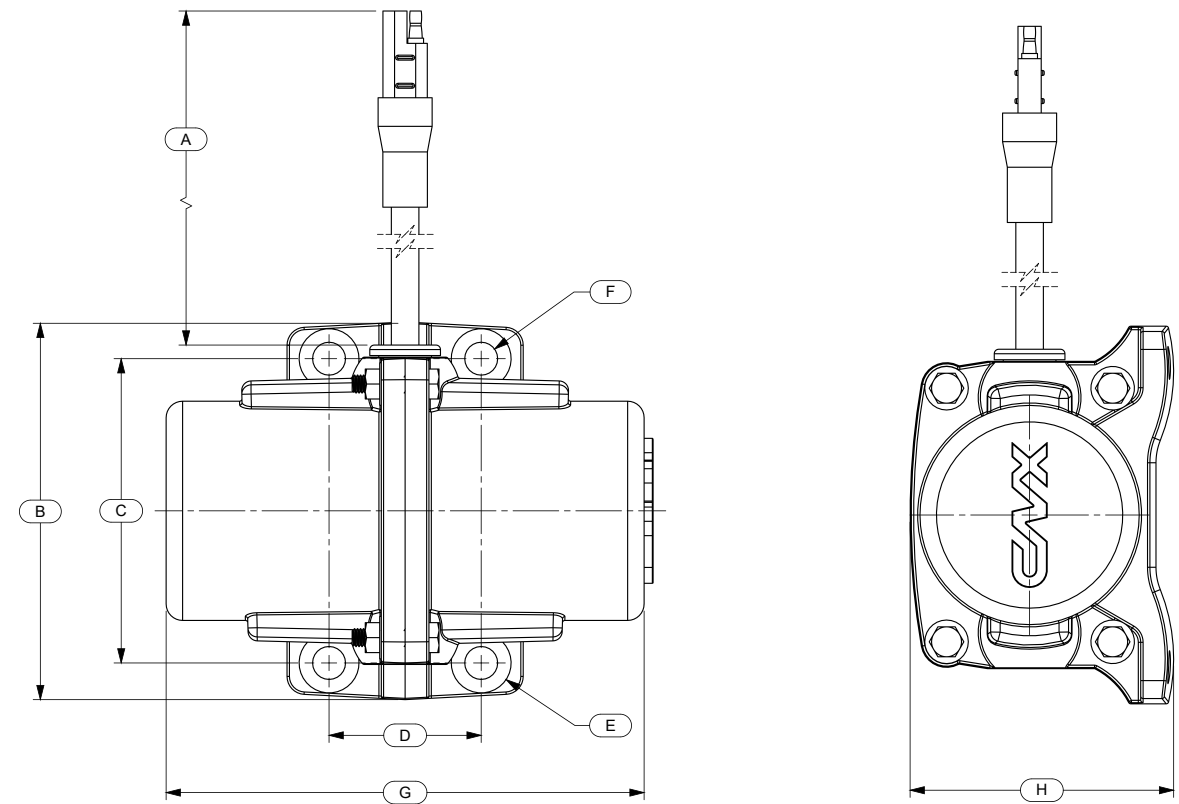
## DC ELECTRIC MOTOR

### EV VIBRATOR – CNX PRODUCT



| Specification   |                     |                   |                   |                  |
|-----------------|---------------------|-------------------|-------------------|------------------|
| Vibration force | Vibration frequency | Voltage frequency | Rated current (A) | Canimex part no. |
| 80 lb           | 65 Hz               | 12 VDC            | 1.1A              | 207793           |
| 200 lb          | 54 Hz               | 12 VDC            | 1.6A              | 207794           |

| Dimensions mm (in) |          |         |         |        |                |                |           |          |
|--------------------|----------|---------|---------|--------|----------------|----------------|-----------|----------|
| Vibration force    | A        | B       | C       | D      | E              | F              | G         | H        |
| 80 lb              | 763 (30) | 126 (5) | 102 (4) | 51 (2) | Dia. 20 (0.79) | Dia. 11 (0.43) | 144 (5.7) | 88 (3.5) |
| 200 lb             | 763 (30) | 126 (5) | 102 (4) | 51 (2) | Dia. 20 (0.79) | Dia. 11 (0.43) | 160 (6.3) | 88 (3.5) |



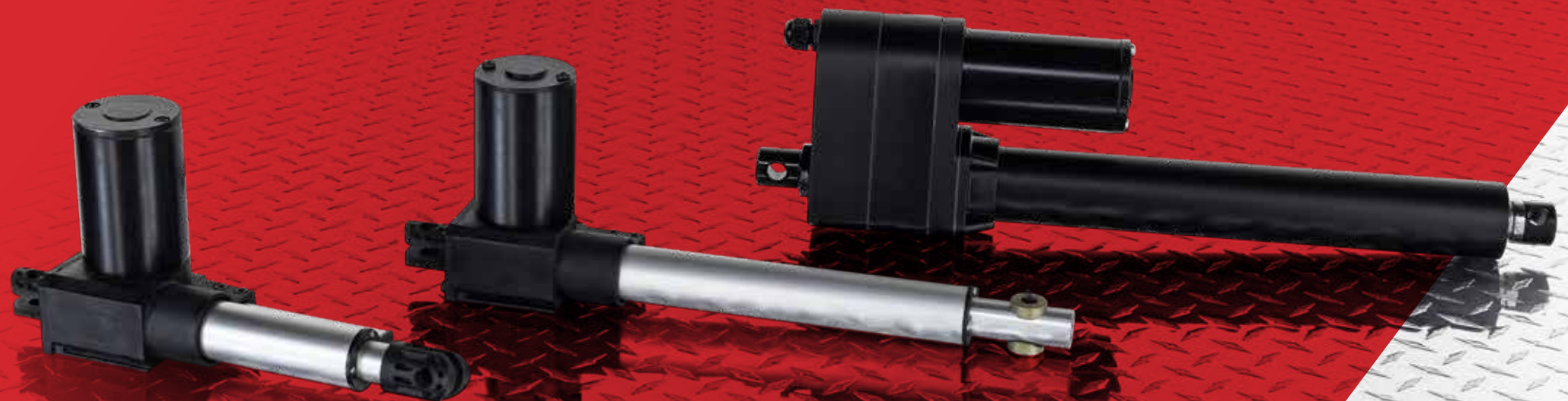
ELECTRICAL GROUP

ELECTRICAL GROUP

# ACTUATORS

---

- Available in a multitude of different lengths, as well as lifting/pulling capabilities
- Wide selection of controls and accessories
- Ball screws available
- Medical quality actuator available
- Tailor-made harness



# TABLE OF CONTENTS

## AC LINEAR ACTUATORS

|  |     |
|--|-----|
| SJ 25, 35, 45 series .....                 | 412 |
| Different mounting options available ..... | 413 |

## DC LINEAR ACTUATORS

|                      |     |
|----------------------|-----|
| Specifications ..... | 418 |
|----------------------|-----|

## DC ROTARY ACTUATORS

|                      |     |
|----------------------|-----|
| Specifications ..... | 422 |
|----------------------|-----|

## ACTUATORS

### DESCRIPTION

#### LINEAR ACTUATOR

Self-locking AC actuator with 17% duty cycle, integrated limit switches, and thermal-protected motor.



Linear actuator in standard 115 VAC and 230 VAC. 12 VDC and 24 VDC actuators can be medical grade. All are low voltage, corrosion resistant and lubricated for service life.



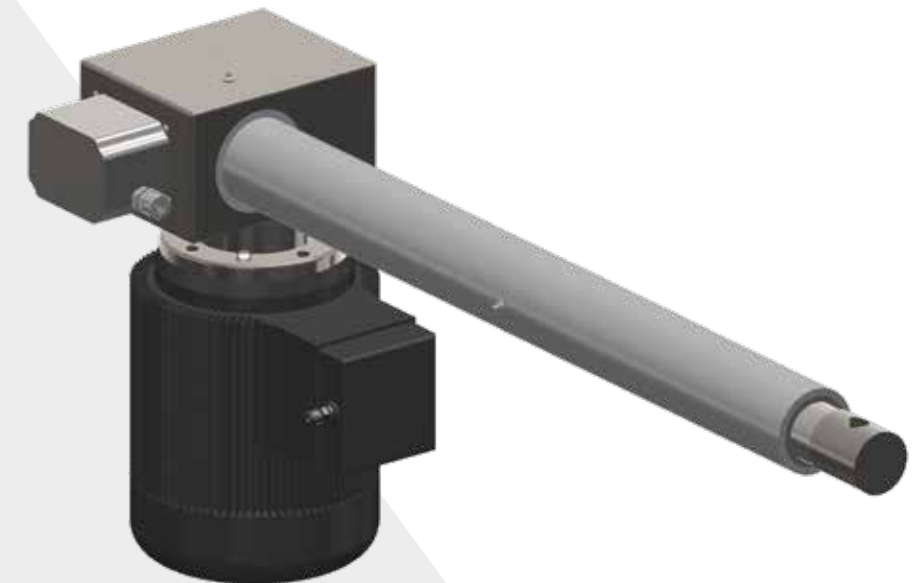
#### ROTARY ACTUATOR DC

Developed for auxiliary motor throttle control, these actuators produce low noise and vibration levels. Various models available to meet different requirements according to engine type, speed or torque.



# AC LINEAR ACTUATORS

- Self-locking
- Integrated limit switch
- Thermal protection
- Metal gearbox





# AC LINEAR ACTUATORS

SJ 25, 35, 45 SERIES

## FEATURES/BENEFITS

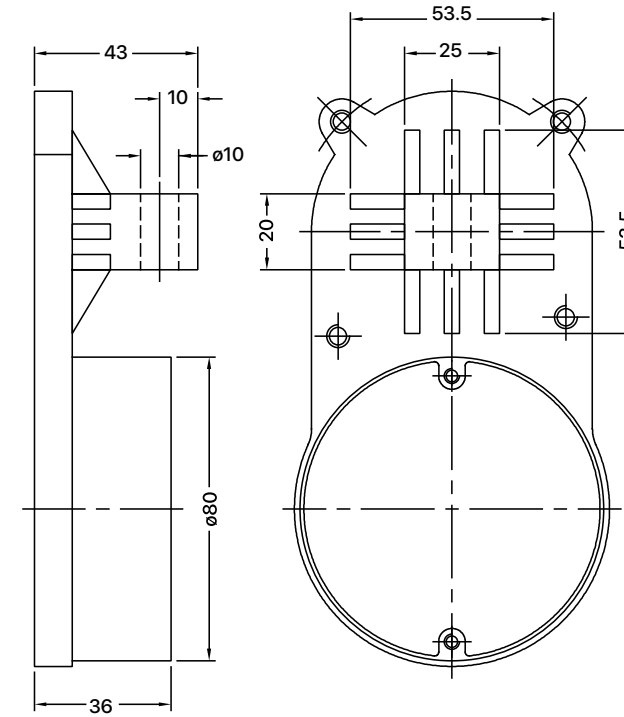
- Motor with thermal protection (+120 ±5°C)
- Acme screw
- Self-locking
- Integrated limit switches
- Gearbox (metal)
- Potentiometer



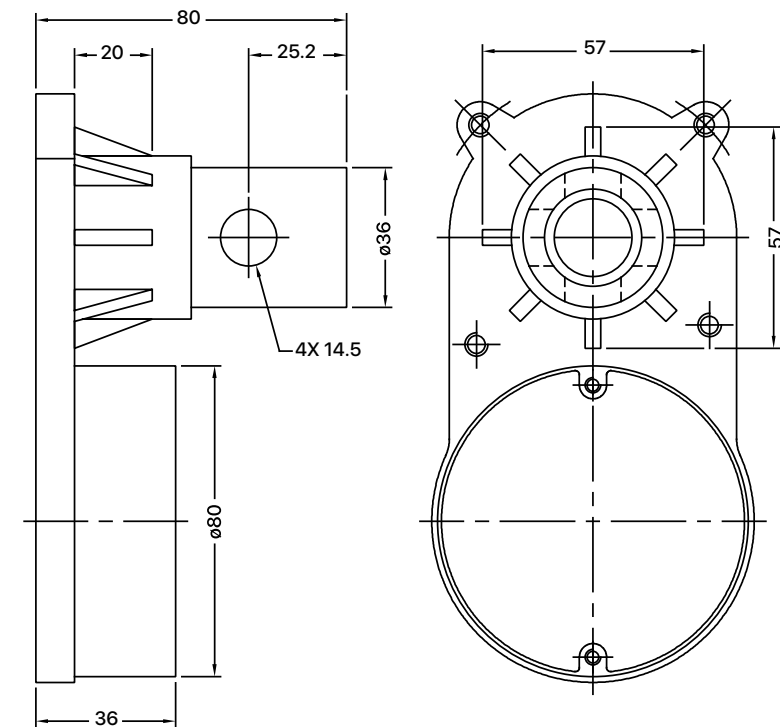
| Model    | Max. force     |                 | Max. speed        |         | Stroke (S)<br>mm | Voltage<br>VAC | Protection class<br>IP | Weight<br>kg |
|----------|----------------|-----------------|-------------------|---------|------------------|----------------|------------------------|--------------|
|          | Push/pull<br>N | No load<br>mm/s | Full load<br>mm/s |         |                  |                |                        |              |
|          |                |                 |                   | LA-AC-1 |                  |                |                        |              |
| LA-AC-2  | 2500           | 6.0             | 5.5               | 100-600 | 115/230          | N/A            | 4.0                    |              |
| LA-AC-3  | 3000           | 4.5             | 4.0               | 100-600 | 115/230          | N/A            | 4.0                    |              |
| LA-AC-4  | 3000           | 7.2             | 6.6               | 100-600 | 115/230          | N/A            | 4.5                    |              |
| LA-AC-5  | 3500           | 6.0             | 5.5               | 100-600 | 115/230          | N/A            | 4.5                    |              |
| LA-AC-6  | 4000           | 4.5             | 4.0               | 100-600 | 115/230          | N/A            | 4.5                    |              |
| LA-AC-7  | 4000           | 7.2             | 6.6               | 100-600 | 115/230          | N/A            | 5.0                    |              |
| LA-AC-8  | 4500           | 6.0             | 5.5               | 100-600 | 115/230          | N/A            | 5.0                    |              |
| LA-AC-9  | 5000           | 4.5             | 4.0               | 100-600 | 115/230          | N/A            | 5.0                    |              |
| LA-AC-10 | 2300           | 57              | 46                | 100-600 | 110/230          | 51             | 9.0                    |              |
| LA-AC-11 | 4500           | 29              | 25                | 100-600 | 110/230          | 51             | 9.0                    |              |
| LA-AC-12 | 6000           | 15              | 12                | 100-600 | 110/230          | 51             | 9.0                    |              |

# AC LINEAR ACTUATORS

DIFFERENT MOUNTING OPTIONS AVAILABLE



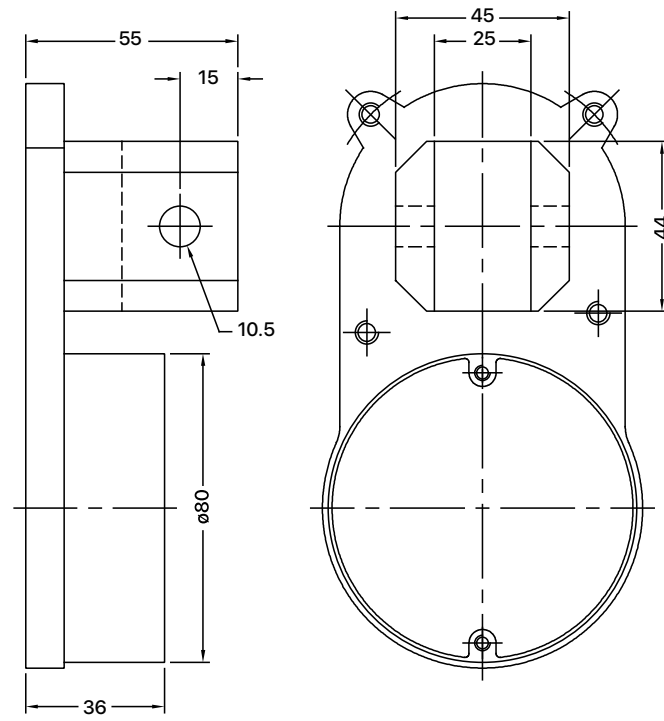
O1 MOUNTING



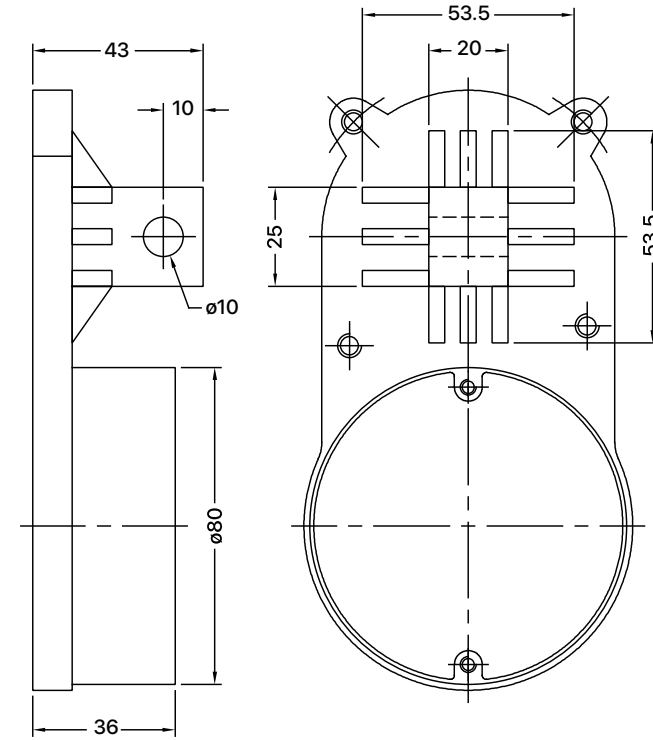
O2 MOUNTING

# AC LINEAR ACTUATORS

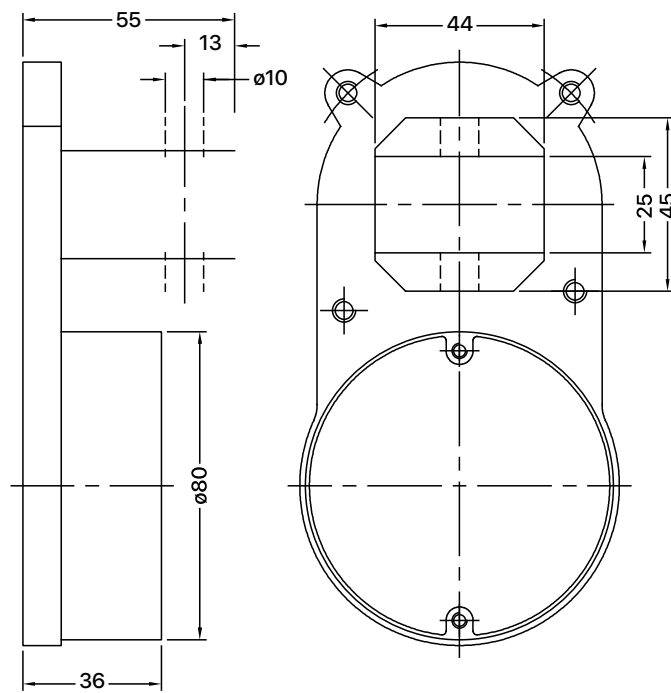
DIFFERENT MOUNTING OPTIONS AVAILABLE



03 MOUNTING



05 MOUNTING



04 MOUNTING

ACTUATORS

ACTUATORS

# DC LINEAR ACTUATORS

- Dynamic protection against overloads
- Self-locking brake
- Thermal protection
- Potentiometer
- Integrated limit switch
- Protection rating: up to IP66
- Service cycle: 10 to 25%



# DC LINEAR ACTUATOR

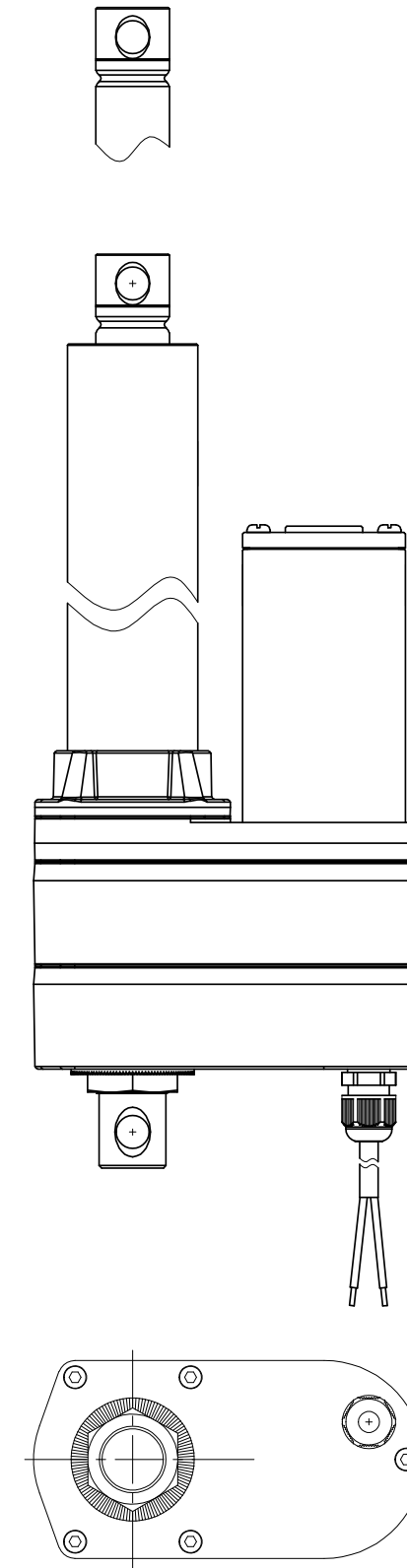
## SPECIFICATIONS

### FEATURES/BENEFITS

- Acme screw
- Self locking
- Integrated limit switches
- Gearbox (metal)
- Potentiometer
- Protection rating : up to IP66



| Model CNX | Max. force N |      | Max. speed |           | Stroke (S)<br>mm | Voltage<br>VDC | Protection class<br>IP | Weight<br>kg | Features         |
|-----------|--------------|------|------------|-----------|------------------|----------------|------------------------|--------------|------------------|
|           | Push         | Pull | No load    | Full load |                  |                |                        |              |                  |
|           |              |      | mm/s       | mm/s      |                  |                |                        |              |                  |
| LA-DC-1   | 2000         | 0    | 10.5       | 6.0       | 100-400          | 12             | 66                     | 3.5          | EN 60601-1       |
| LA-DC-2   | 3000         | 0    | 6.7        | 3.7       | 100-400          | 24             | 66                     | 3.5          | EN 60601-1       |
| LA-DC-3   | 2000         | 0    | 13         | 6.4       | 100-400          | 24             | 66                     | 3.5          | EN 60601-1       |
| LA-DC-4   | 1200         | 0    | 25         | 13.4      | 100-400          | 24             | 66                     | 3.5          | EN 60601-1       |
| LA-DC-5   | 1000         | 0    | 32         | 20        | 100-400          | 24             | 66                     | 3.5          | EN 60601-1       |
| LA-DC-6   | 3000         | 0    | 8.5        | 5.0       | 100-400          | 24             | 66                     | 3.5          | EN 60601-1       |
| LA-DC-7   | 3000         | 0    | 5.0        | 3.0       | 100-400          | 24             | 66                     | 3.5          | EN 60601-1       |
| LA-DC-8   | 6000         | 4000 | 4.2        | 2.6       | 50-300           | 24             | 52                     | 2.5          | Silent operation |
| LA-DC-9   | 3000         | 2000 | 8.2        | 6.2       | 50-300           | 24             | 52                     | 2.5          | Silent operation |
| LA-DC-10  | 3000         | 0    | 6.7        | 3.7       | 100-400          | 24             | 51                     | 2.5          | Silent operation |
| LA-DC-11  | 2000         | 0    | 13         | 6.4       | 100-400          | 24             | 51                     | 2.5          | Silent operation |
| LA-DC-12  | 1200         | 0    | 25         | 13.4      | 100-400          | 24             | 51                     | 2.5          | Silent operation |
| LA-DC-13  | 1000         | 0    | 32         | 20        | 100-400          | 24             | 51                     | 2.5          | Silent operation |
| LA-DC-14  | 3000         | 0    | 8.5        | 5.0       | 100-400          | 24             | 51                     | 2.5          | Silent operation |
| LA-DC-15  | 3000         | 0    | 5.0        | 3.0       | 100-400          | 24             | 51                     | 2.5          | Silent operation |
| LA-DC-16  | 4000         | 0    | 7          | 5         | 100-400          | 24             | 51                     | 3.5          | Universal use    |
| LA-DC-17  | 2000         | 0    | 13         | 11        | 100-400          | 24             | 51                     | 3.5          | Universal use    |
| LA-DC-18  | 800          | 800  | 10.5       | 7.0       | 100-300          | 24             | N/A                    | 2.0          | Compact          |
| LA-DC-19  | 500          | 500  | 20         | 15        | 100-300          | 24             | N/A                    | 2.0          | Compact          |
| LA-DC-20  | 120          | 120  | 57         | 45        | 50-300           | 12/24          | 53/65                  | 1.5          | Silent operation |
| LA-DC-21  | 240          | 240  | 30         | 24        | 50-300           | 12/24          | 53/65                  | 1.5          | Silent operation |
| LA-DC-22  | 500          | 500  | 17         | 13        | 50-300           | 12/24          | 53/65                  | 1.5          | Silent operation |
| LA-DC-23  | 750          | 750  | 10         | 9         | 50-300           | 12/24          | 53/65                  | 1.5          | Silent operation |
| LA-DC-24  | 1000         | 1000 | 8          | 6         | 50-300           | 12/24          | 53/65                  | 1.5          | Silent operation |
| LA-DC-25  | 1500         | 1500 | 38         | 25        | 100-600          | 12/24          | 52/65                  | 6.0          | Robust           |
| LA-DC-26  | 2500         | 2500 | 20         | 13        | 100-600          | 12/24          | 52/65                  | 6.0          | Robust           |
| LA-DC-27  | 2300         | 2300 | 65         | 45        | 100-600          | 12/24          | 52/65                  | 6.5          | Robust           |
| LA-DC-28  | 3500         | 3500 | 36         | 22        | 100-600          | 12/24          | 52/65                  | 6.5          | Robust           |
| LA-DC-29  | 4500         | 4500 | 22         | 13        | 100-600          | 12/24          | 52/65                  | 6.5          | Robust           |
| LA-DC-30  | 1500         | 1500 | 29         | 25        | 100-600          | 12/24          | 51                     | 8.5          | Robust           |
| LA-DC-31  | 2300         | 2300 | 16         | 14        | 100-600          | 12/24          | 51                     | 8.5          | Robust           |





# DC ROTARY ACTUATORS

- Low noise level
- Low vibration level
- Waterproof
- 12V operation for all models
- Up to 80°C temperature range



# DC ROTARY ACTUATOR

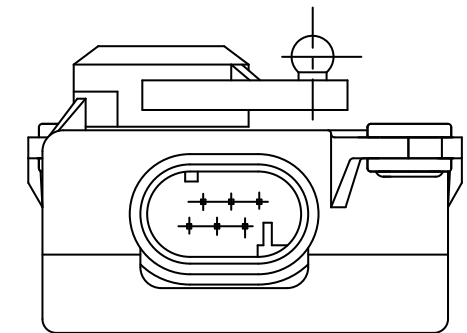
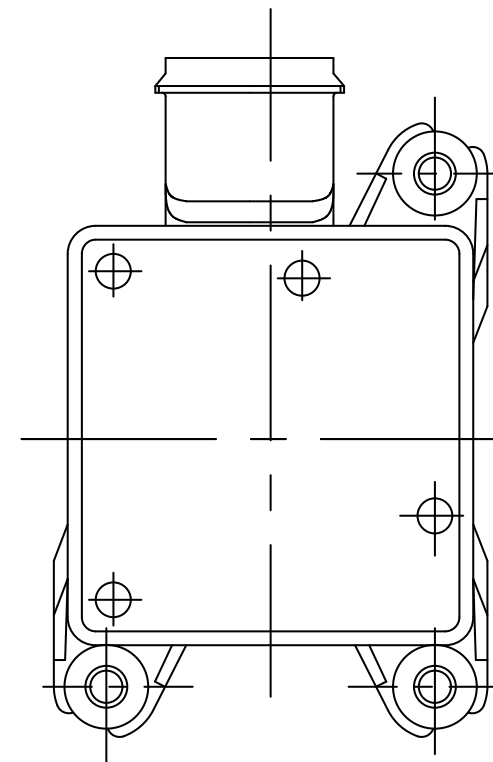
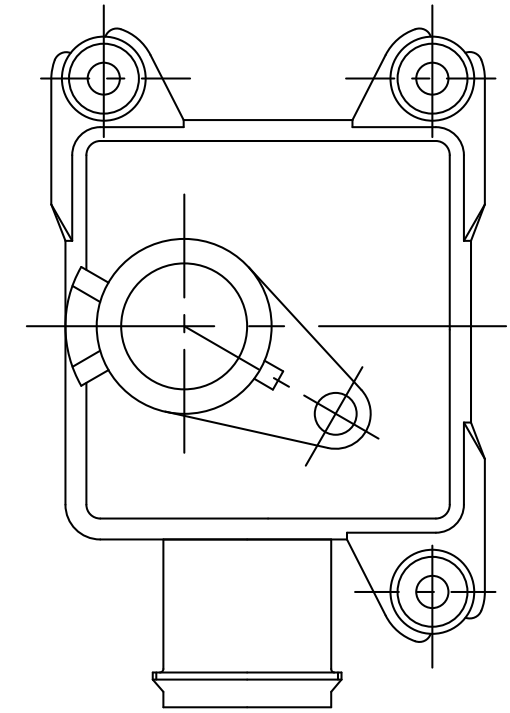
## SPECIFICATIONS

### FEATURES/BENEFITS

- Power: 1/14 up to 1/4 W
- Voltage: 12 V
- Rotation: 360°, CW, CCW
- Waterproof
- 4-hole resilient mount for stronger installation
- Continuous duty cycle (51)
- Operating temperature range:  
-40°F up to 175°F (-40°C up to 80°C)



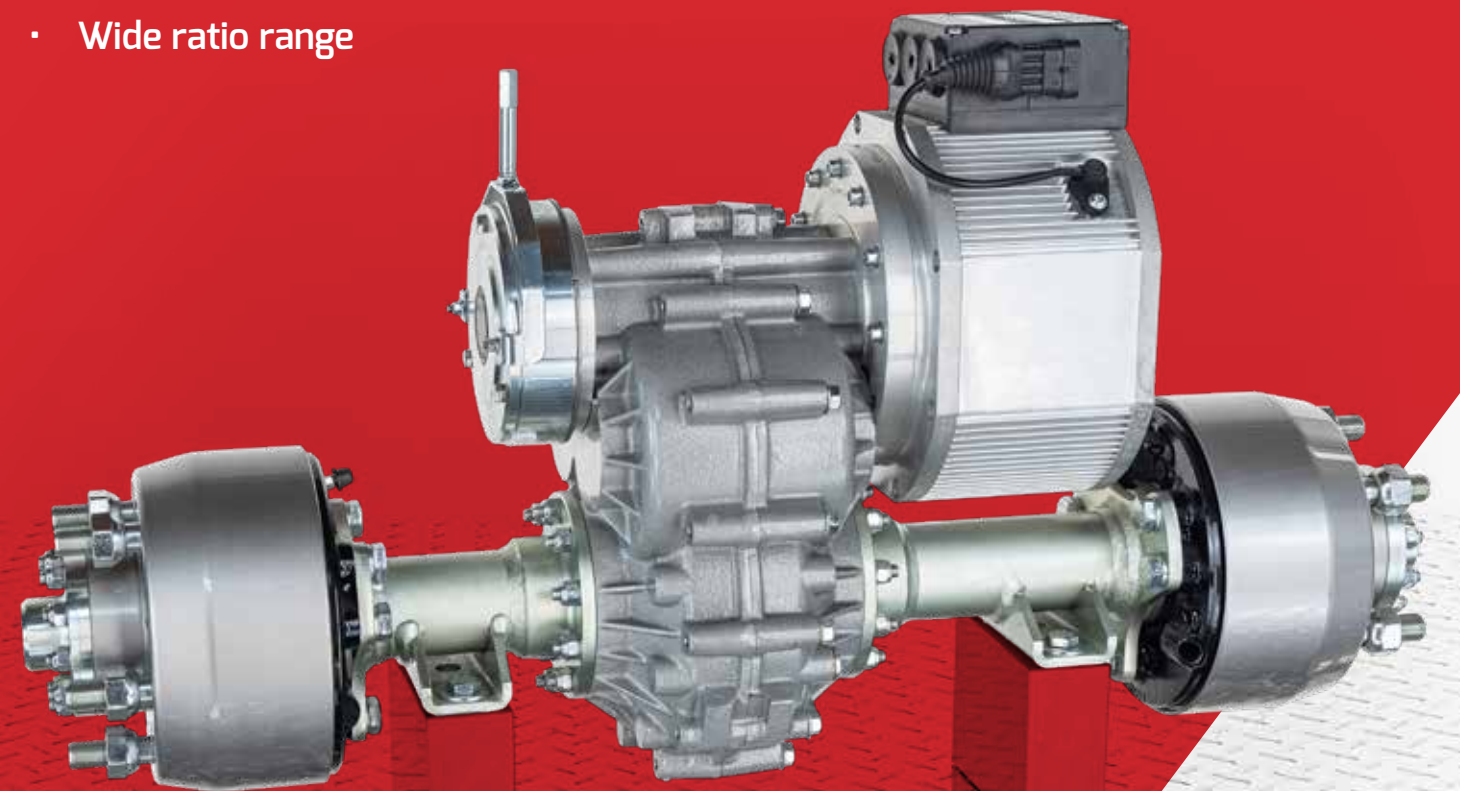
| Model   | Mechanical power | Rated voltage | Nominal torque | Nominal speed | Back stop | Connections      | Canimex part no. |
|---------|------------------|---------------|----------------|---------------|-----------|------------------|------------------|
|         | Watts            | DC volt       | lb-in          | rpm           |           |                  |                  |
| RA-DC-1 | 1/14             | 12            | 4              | 1.5           | Stopper   | 2 x 20 AWG wires | 174056           |
| RA-DC-2 | 1/12             | 12            | 2.5            | 2.9           | ---       | 2 x 20 AWG wires | 168850           |
| RA-DC-3 | 1/8              | 12            | 4              | 1.5           | ---       | 2 x 20 AWG wires | 163473           |
| RA-DC-4 | 1/8              | 12            | 4              | 2.9           | Stopper   | 2 x 20 AWG wires | 167008           |
| RA-DC-5 | 1/4              | 12            | 15             | 1.5           | ---       | 2 x 20 AWG wires | 163816           |
| RA-DC-6 | 1/4              | 12            | 15             | 1.5           | Stopper   | 2 x 20 AWG wires | 166703           |



# AXLES

---

- Modular design
- Low noise
- Resistance to corrosion
- Ultra-high efficiency
- Many options available
- Many versions available
- Wide ratio range
- Parking brake available
- Easy installation
- Easy maintenance
- Amazing battery autonomy



# TABLE OF CONTENTS

## ELECTRIC DRIVE AXLES – E-COMER

|                   |     |
|-------------------|-----|
| Drive axles ..... | 428 |
| TX1 series .....  | 429 |
| TX2 series .....  | 430 |

## DRIVE AXLES – COMER

|                                      |     |
|--------------------------------------|-----|
| Available options .....              | 434 |
| Rigid and steering drive axles ..... | 436 |

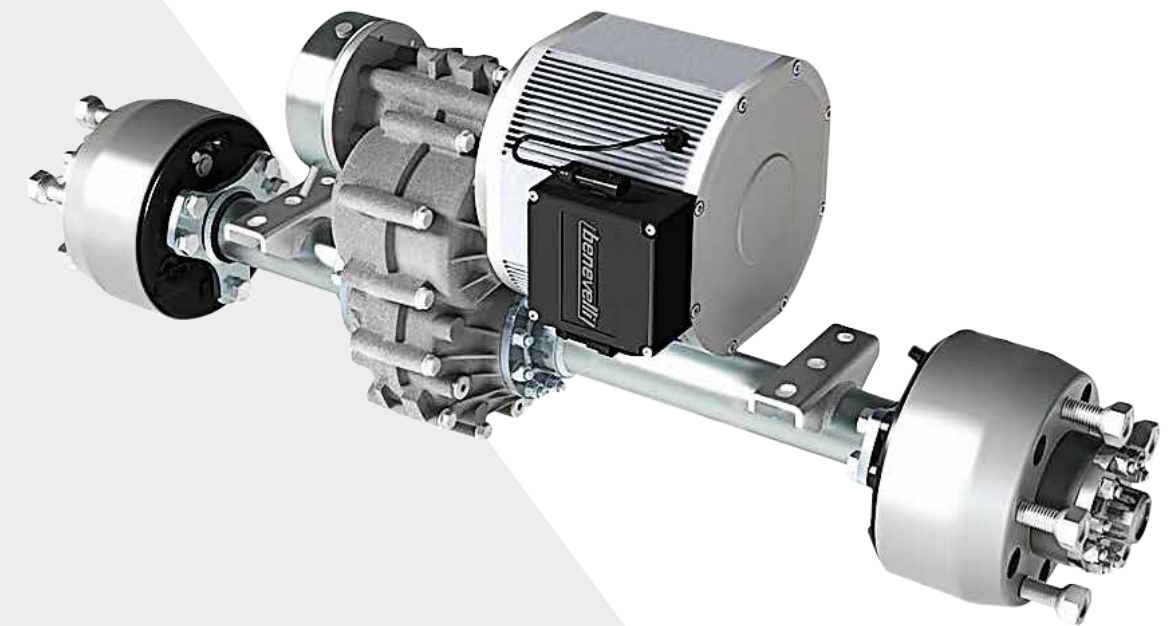
## ELECTRIC WHEEL DRIVES – E-COMER

|                    |     |
|--------------------|-----|
| DD1 series .....   | 440 |
| TR1 series .....   | 442 |
| WD220 series ..... | 444 |

## ELECTRIC DRIVE AXLES



- Various standard mounting possibilities tilting from 0 to 180°
- Includes various types of wheel hub or mechanical-hydraulic drum brakes
- All models are also available with mechanical locking differential
- Many different track width configurations
- Welding operations performed by robotic systems certified ISO 15614:2012





# ELECTRIC DRIVE AXLES

## DRIVE AXLES

- Modular design that allows many different track width configurations
- Hardened steel gears with involute grinding profile ensure constant low noise level
- Gear housing in heavy-duty aluminum alloy to minimize weight and add strength
- Built-in studs on gearbox housing
- Metallic parts subjected to Chromiting® zinc coating to withstand corrosive agents
- Benevelli solutions ensure more energy-efficient operations and greater battery autonomy with optimized profile gears
- Easy to install thanks to six standard mounting positions tilting from 0° to 180°
- Designed for complete protection up to IP67 under IEC standard 60529



### WHY ELECTRIC ?

Electric powertrains provide instant low-speed torque, with the benefit of zero emissions; they also significantly reduce downtime and operating costs. Battery-powered vehicles are more efficient than with any other technology, allowing peak efficiency of up to 95% compared to 35% for an internal combustion engine.



# ELECTRIC DRIVE AXLES

## TX1 SERIES

- Parallel configuration and precise gear machining allowing:
  - Ultra-high efficiency of up to 95%
  - Battery autonomy increased by as much as 30%
  - Easy maintenance
  - Compact design
  - Low noise
- SKF bearings for improved efficiency
- Wide ratio range – 8 ratios available from 6 to 32
- Many options available (mechanical brakes, no brake, parking brake, differential lock...)
- Three versions: Standard, Plus and Max
- Fully customizable (track width, bracket position, CV joints version, motor...)
- Power/volume ratio higher than competition
- High resistance to corrosion
- Highest ground clearance in the industry
- Parking brake available on all models

| Series   | Version             | GEARBOX FEATURES    |                         |                   |                   | MOTOR FEATURES |                   |                    |                    | Service brake                |
|----------|---------------------|---------------------|-------------------------|-------------------|-------------------|----------------|-------------------|--------------------|--------------------|------------------------------|
|          |                     | Output torque<br>Nm | Max. input speed<br>RPM | Static load<br>kg | Track-width<br>mm | Motor type     | Rated power<br>kW | Rated voltage<br>V | Prot. degree<br>IP |                              |
| TX1      | CV joints           | 300                 | 7000                    | ---               | ---               | PMDC - AMAC    | 0.3 - 1.7         | 24 - 120           | 54/67              | ---                          |
|          | Floating driveshaft | 300                 | 7000                    | ---               | ---               |                | 0.3 - 1.7         | 24 - 120           | 54/67              | ---                          |
|          | Rigid axle          | 300                 | 7000                    | 400               | 400 to 1150       |                | 0.3 - 1.7         | 24 - 120           | 54/67              | ---                          |
|          | Wheel hubs          | 300                 | 7000                    | 400               | 400 to 1150       |                | 0.3 - 1.7         | 24 - 120           | 54/67              | ---                          |
|          | Drum brakes         | 300                 | 7000                    | 400               | 400 to 1150       |                | 0.3 - 1.7         | 24 - 120           | 54/67              | Mechanical 500 Nm            |
| TX1 PLUS | CV joints           | 500                 | 7000                    | ---               | ---               | AMAC - SMAC    | 0.6 - 3.0         | 24 - 120           | 54/67              | ---                          |
|          | Rigid axle          | 500                 | 7000                    | 500               | 400 to 1150       |                | 0.6 - 3.0         | 24 - 120           | 54/67              | ---                          |
|          | Wheel hubs          | 500                 | 7000                    | 500               | 400 to 1150       |                | 0.6 - 3.0         | 24 - 120           | 54/67              | ---                          |
| TX1 MAX  | Drum brakes         | 500                 | 7000                    | 500               | 400 to 1150       | 0.6 - 3.0      | 24 - 120          | 54/67              | Mechanical 500 Nm  |                              |
|          | Wheel hubs          | 600                 | 7000                    | 700               | 400 to 1150       | AMAC - SMAC    | 0.6 - 3.0         | 24 - 120           | 54/67              | ---                          |
|          | Drum brakes         | 600                 | 7000                    | 700               | 400 to 1150       | AMAC - SMAC    | 0.6 - 3.0         | 24 - 120           | 54/67              | Hydraulic/mechanical 1200 Nm |

TX1 series available ratios: 1:6 1:10 1:12 1:16 1:22 1:24 1:28 1:32

Please refer to the SMAC-AMAC subsection of the Electrical group section in this catalog

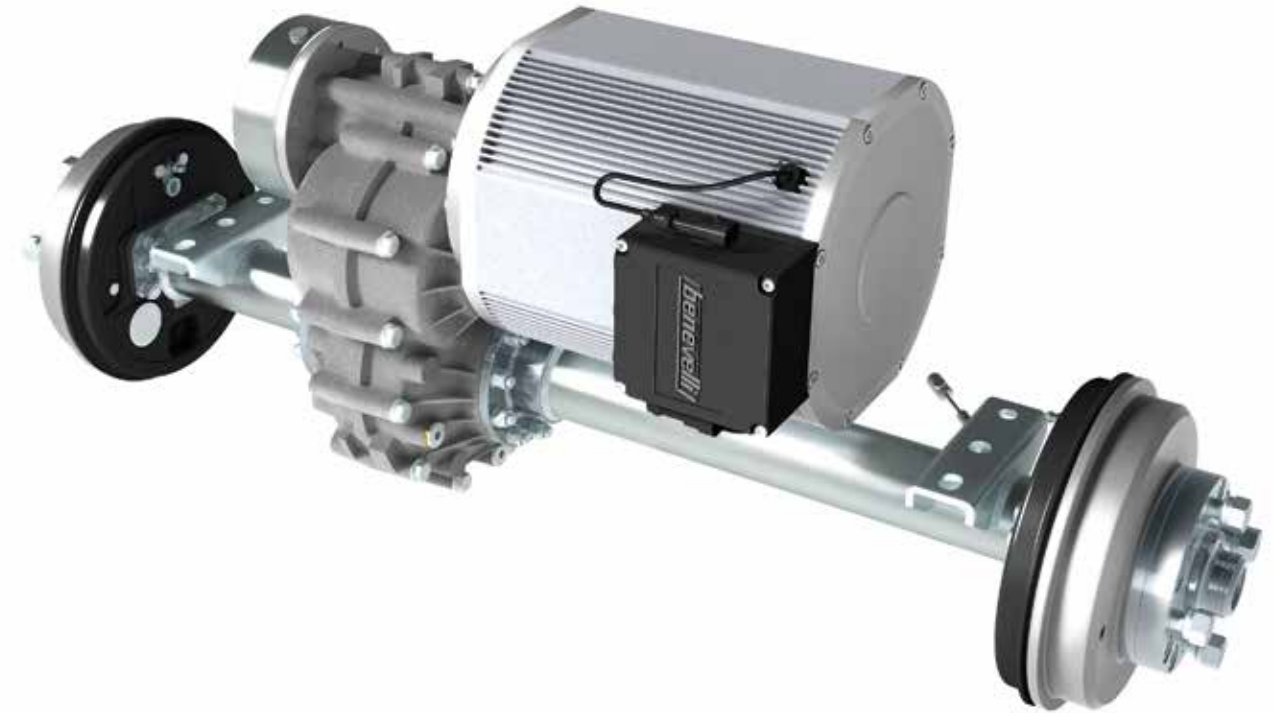


# ELECTRIC DRIVE AXLES

## TX2 SERIES

- Parallel configuration and precise gear machining allowing:
  - Ultra-high efficiency of up to 95%
  - Battery autonomy increased by as much as 30%
  - Easy maintenance
  - Compact design
  - Low noise
- SKF bearings for improved efficiency + tapered roller bearing at wheel hubs for increased safety
- Full floating axle for increased torque, load and safety
- Wide ratio range – 13 ratios available from 3 to 80
- Two versions: Standard and Plus
- Fully customizable (track width, bracket position, CV joints version, motor, etc)
- Power/volume ratio higher than competition
- High resistance to corrosion
- Ground clearance highest in the industry
- Parking brake available on all models

| Series   | Version           | GEARBOX FEATURES    |                         |                   |                   | MOTOR FEATURES |                   |                    |                    | Service brake                   |
|----------|-------------------|---------------------|-------------------------|-------------------|-------------------|----------------|-------------------|--------------------|--------------------|---------------------------------|
|          |                   | Output torque<br>Nm | Max. input speed<br>RPM | Static load<br>kg | Track-width<br>mm | Motor type     | Rated power<br>kW | Rated voltage<br>V | Prot. degree<br>IP |                                 |
| TX2      | CV joints         | 1000                | 7200                    | ---               | ---               | AMAC - SMAC    | 3.0 - 20.0        | 24 - 120           | 54/67              | ---                             |
|          | 4WD transfer case | 1000                | 7200                    | ---               | ---               |                | 3.0 - 20.0        | 24 - 120           | 54/67              | ---                             |
|          | Wheel hubs        | 1000                | 7200                    | 1000              | 560 to 1988       |                | 3.0 - 6.5         | 24 - 120           | 54/67              | ---                             |
|          | Drum brakes       | 1000                | 7200                    | 1000              | 560 to 1988       |                | 3.0 - 10.0        | 24 - 120           | 54/67              | Mechanical<br>500 Nm            |
| TX2 PLUS | CV joints         | 1600                | 7200                    | ---               | ---               | AMAC - SMAC    | 3.0 - 20.0        | 24 - 120           | 54/67              | ---                             |
|          | 4WD transfer case | 1600                | 7200                    | ---               | ---               |                | 3.0 - 20.0        | 24 - 120           | 54/67              | ---                             |
|          | Wheel hubs        | 1600                | 7200                    | 1600              | 560 to 1988       |                | 3.0 - 20.0        | 24 - 120           | 54/67              | ---                             |
|          | Drum brakes       | 1600                | 7200                    | 1600              | 560 to 1988       |                | 3.0 - 20.0        | 24 - 120           | 54/67              | Hydraulic/mechanical<br>3400 Nm |



TX2 series available ratios: 1:3 1:5 1:7 1:9 1:10 1:12 1:16 1:22 1:27 1:35 1:43 1:56 1:80

Please refer to the SMAC-AMAC subsection of the Electrical group section in this catalog

|                  | MOTOR SERIES |      |      |
|------------------|--------------|------|------|
|                  | PMDC         | AMAC | SMAC |
| EM parking brake | X            | X    | X    |
| Speed encoder    | -            | X    | X    |
| Maintenance free | -            | X    | X    |
| Noise level      | -            | X    | X    |
| Temp sensor      | -            | X    | X    |
| UL ready         | -            | X    | X    |
| High efficiency  | -            | X    | X    |
| Constant torque  | -            | -    | X    |

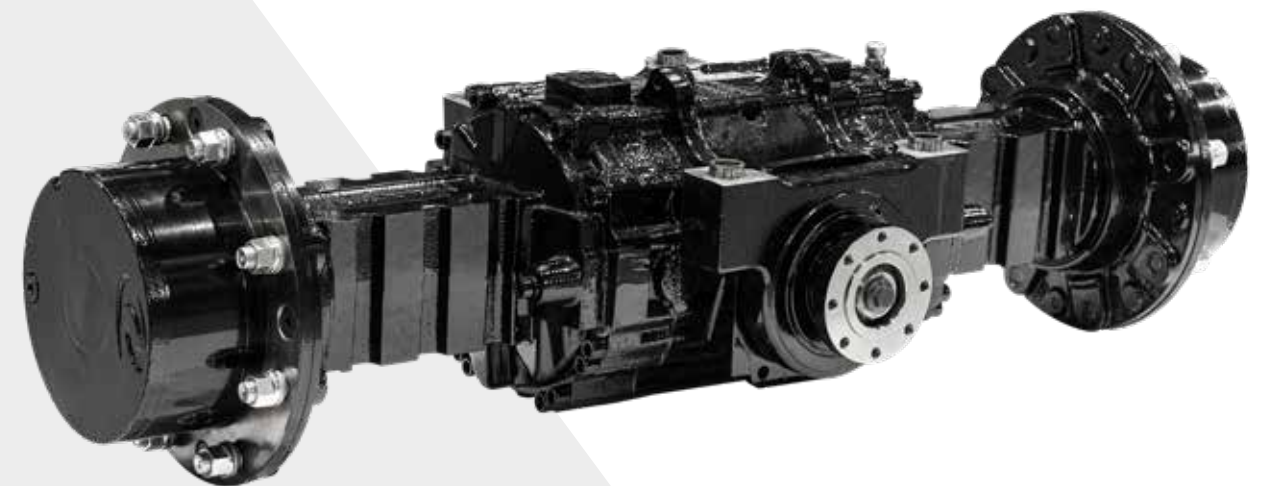
Please refer to the SMAC-AMAC subsection of the Electrical group section in this catalog



comer industries

## DRIVE AXLES

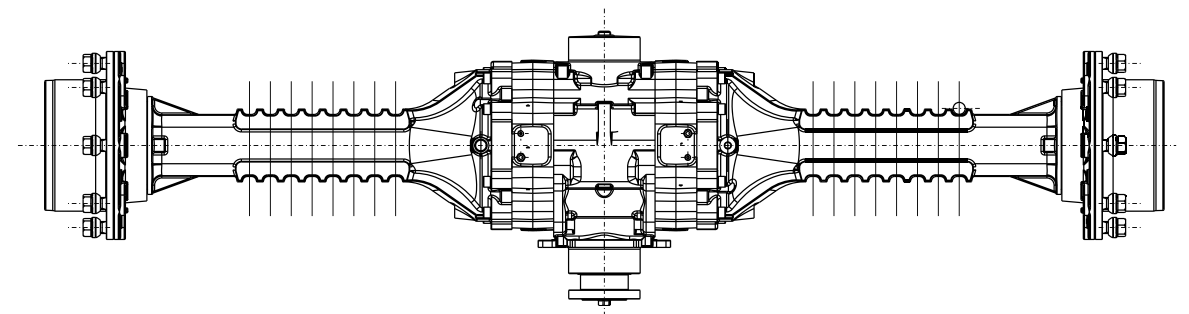
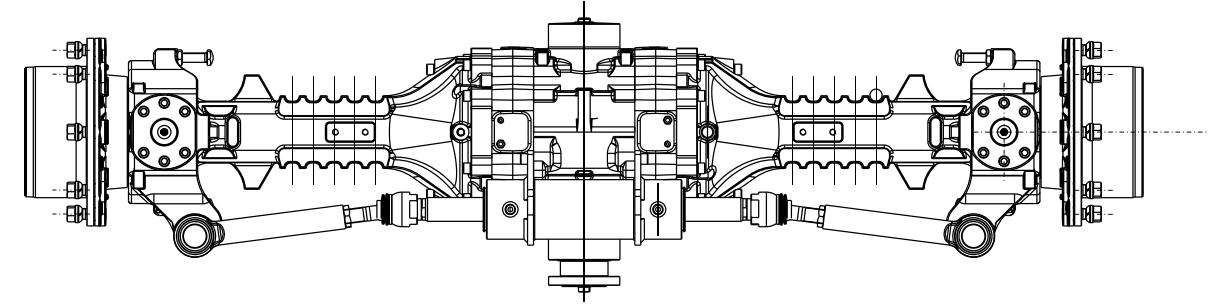
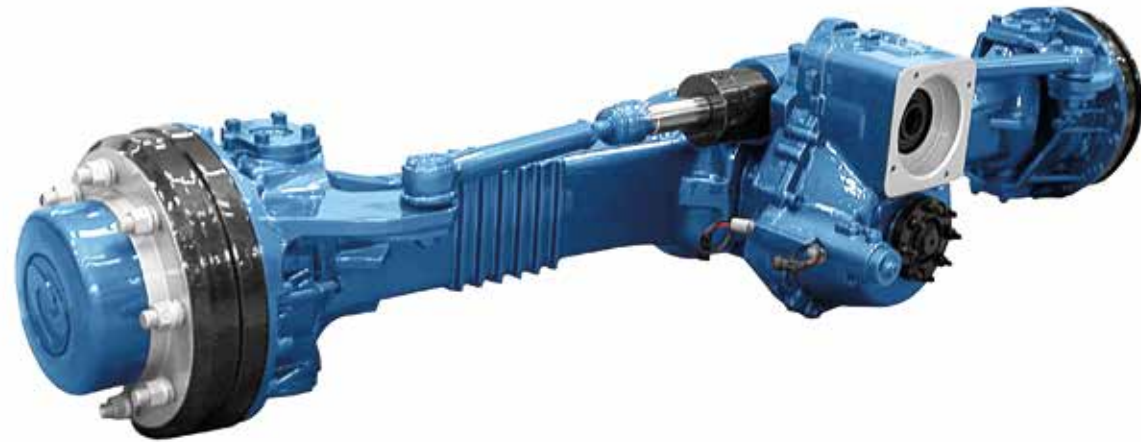
- Rigid and steering axles (off-road)
- Axles with rigid or oscillating mounting
- Open, limited slip or locking differential
- Spring applied hydraulically released brakes (SAHR)
- Optional central or top pivot mounting
- Single-stage and two-stage reduction



# DRIVE AXLES

## AVAILABLE OPTIONS

- Open, limited slip or locking differential
- Reduction at the wheel hub
- Spring applied hydraulically released brakes (SAHR)
- Central or upper pivot mounting option
- Four-wheel drive
- Hydraulic motor flange

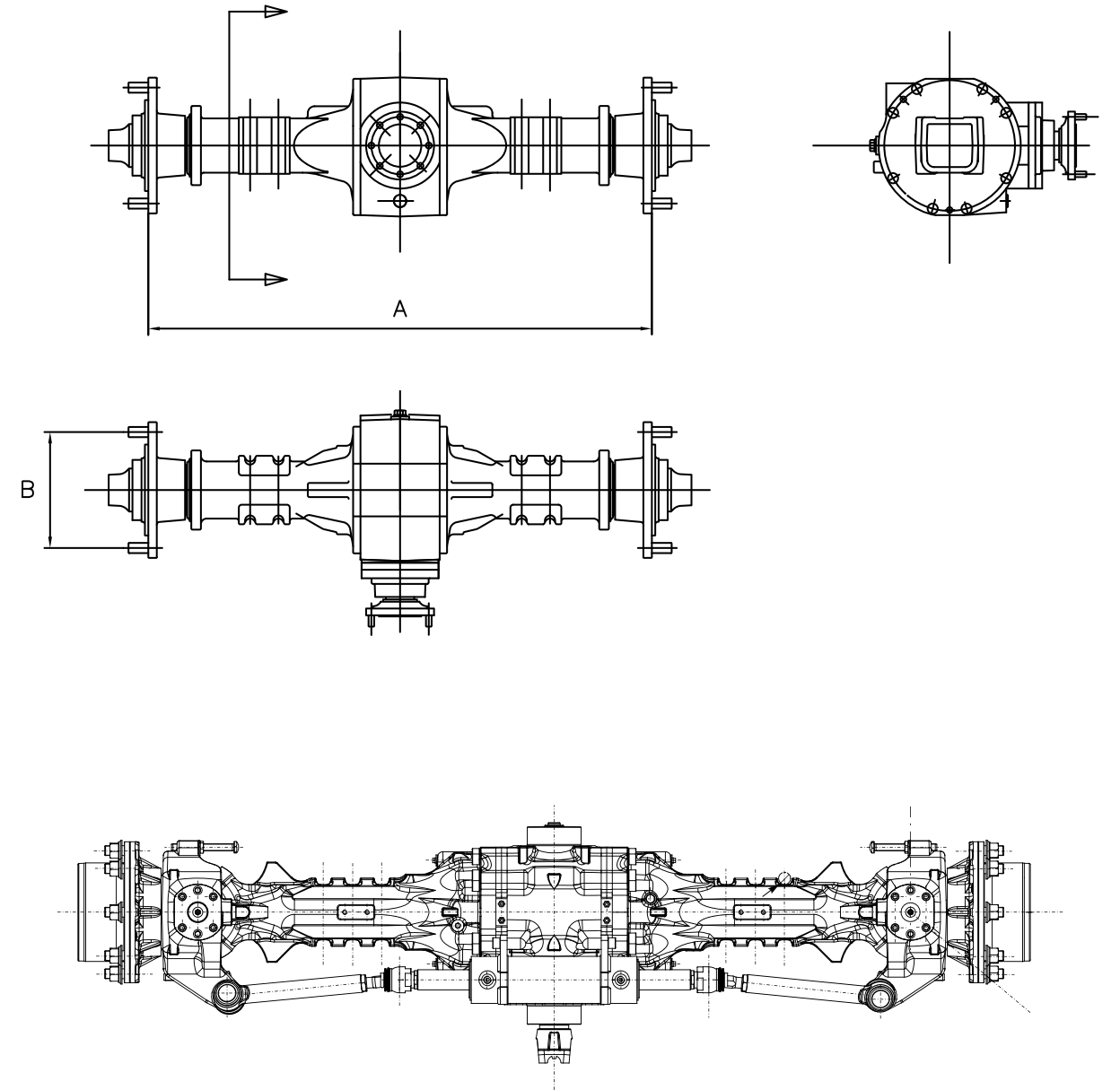




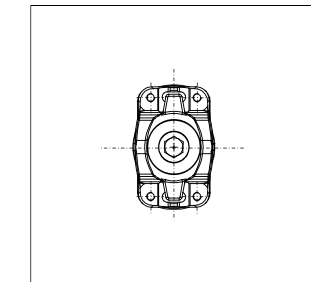
# DRIVE AXLES

## RIGID AND STEERING DRIVE AXLES

| Series | Type     | Max. dynamic load | Max. static load | Max. output torque | Reduction ratio (wheel hub) | Total reduction   | Flange to flange (A) | Wheel hub bolt circle diameter (B) |
|--------|----------|-------------------|------------------|--------------------|-----------------------------|-------------------|----------------------|------------------------------------|
|        |          | daN               | daN              | daN.m              |                             |                   | mm                   | mm                                 |
| 046    | Rigid    | 2500              | 4500             | 440                | -                           | 2.23:1 ÷ 5.57:1   | 750 ÷ 890            | 205                                |
| 068    | Rigid    | 2700              | 6600             | 850                | 4.31:1                      | 9.63:1 ÷ 24.00:1  | 806 ÷ 1263           | 205                                |
|        | Steering |                   |                  |                    |                             |                   |                      |                                    |
| 080    | Rigid    | 4800              | 9000             | 2100               | 4.80:1                      | 10.73:1 ÷ 26.74   | 850 ÷ 1575           | 205                                |
|        | Steering | 2700              |                  |                    |                             |                   | 1272 ÷ 1810          |                                    |
| 128    | Rigid    | 5800              | 12000            | 2400               | 6.00:1                      | 13.41:1 ÷ 24.66:1 | 1010 ÷ 1810          | 275                                |
|        | Steering |                   |                  |                    |                             |                   | 1530 ÷ 1810          |                                    |
| 228    | Rigid    | 8000              | 20000            | 3400               | 6.00:1                      | 13.41:1 ÷ 24.66:1 | 1660 ÷ 2050          | 275                                |
|        | Steering |                   |                  |                    |                             |                   | 2050                 | 335                                |
| 238    | Rigid    | 9300              | 22000            | 3400               | 6.00:1                      | 13.41:1 ÷ 24.66:1 | 1660 ÷ 2050          | 275                                |
|        | Steering |                   |                  |                    |                             |                   | 2050                 | 335                                |
| 258    | Rigid    | 9300              | -                | 4200               | 6.40:1                      | 14.28:1 ÷ 26.30:1 | 1660 ÷ 2050          | 335                                |
|        | Steering |                   |                  |                    |                             |                   | 2050                 |                                    |



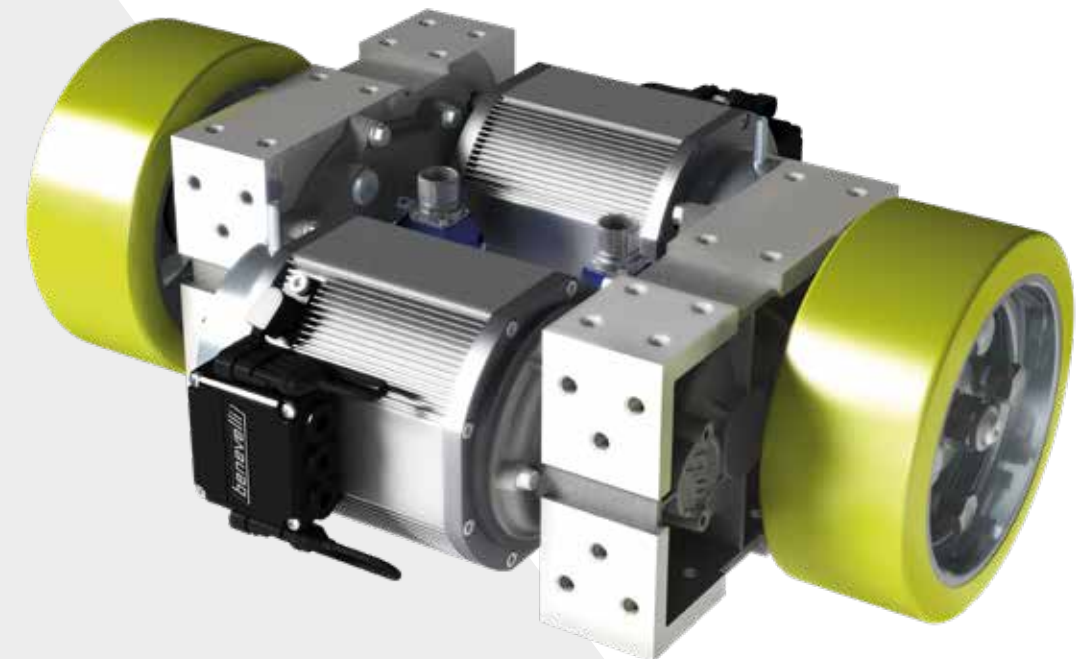
FLANGED END YOKE 1410



# ELECTRIC WHEEL DRIVES



- Compact design
- Easy maintenance
- Low noise
- Ultra-high efficiency up to 95%
- Parking brake available on all models
- Easy installation without bracket increasing assembly stiffness
- High resistance to corrosion
- Many options available



# ELECTRIC WHEEL DRIVES

## DD1 SERIES

- Parallel configuration and precise gear machining allowing:
  - Ultra-high efficiency of up to 95%
  - Battery autonomy increased by as much as 30%
  - Easy maintenance
  - Compact design
  - Low noise
- SKF bearings for improved efficiency
- Wide ratio range – 8 ratios available from 6 to 32
- Many options available (mechanical brakes, no brake)
- Adaptable to different types of wheels
- Power/volume ratio higher than competition
- High resistance to corrosion
- Easy installation without brackets to increase assembly stiffness
- Parking brake available on all models

| Series   | Version                | GEARBOX FEATURES     |                         |                    |                             | MOTOR FEATURES |                    |                    | Service brake                |
|----------|------------------------|----------------------|-------------------------|--------------------|-----------------------------|----------------|--------------------|--------------------|------------------------------|
|          |                        | Output torque*<br>Nm | Max. input speed<br>RPM | Static load*<br>kg | Wheel diameter (min.)<br>mm | Motor type     | Rated power*<br>kW | Rated voltage<br>V |                              |
| DD1      | Polyurethane wheels    | 800                  | 3500                    | 800                | 200                         | PMDC – AMAC    | 0.6 - 1.6          | 24 - 120           | ---                          |
|          | Wheel hubs             | 800                  | 3500                    | 800                | 200                         |                | 0.6 - 1.6          | 24 - 120           | ---                          |
|          | Mechanical drum brakes | 800                  | 3500                    | 800                | 200                         |                | 0.6 - 1.6          | 24 - 120           | Mechanical 500 Nm            |
| DD1 PLUS | Polyurethane wheels    | 1000                 | 7200                    | 1000               | 200                         | AMAC – SMAC    | 1.2 - 6.0          | 24 - 120           | ---                          |
|          | Wheel hubs             | 1000                 | 7200                    | 1000               | 200                         |                | 1.2 - 6.0          | 24 - 120           | ---                          |
|          | Mechanical drum brakes | 1000                 | 7200                    | 1000               | 200                         |                | 1.2 - 6.0          | 24 - 120           | Mechanical 500 Nm            |
|          | Drum brakes            | 1000                 | 7200                    | 1000               | 200                         |                | 1.2 - 6.0          | 24 - 120           | Hydraulic/mechanical 1200 Nm |

DD1 Series available ratios: 1:6 1:10 1:12 1:16 1:22 1:24 1:28 1:32

Please refer to the SMAC - AMAC subsection of the Electrical group section in this catalog

\* For a pair of DD1



- Parallel configuration and precise gear machining allowing:
  - Ultra-high efficiency of up to 95%
  - Battery autonomy increased by as much as 30%
  - Easy maintenance
  - Compact design
  - Low noise
- Designed for a complete protection up to IP67 under IEC standard 60529
- Wide ratio range – 8 ratios available from 6 to 32
- Minimized backlash guarantees a precise positioning of the machine
- High resistance to corrosion
- Easy installation without brackets to increase assembly stiffness
- Parking brake available on all models

| Series   | Version                | GEARBOX FEATURES    |                           |                   |            | MOTOR FEATURES |                   |                    |                                 |
|----------|------------------------|---------------------|---------------------------|-------------------|------------|----------------|-------------------|--------------------|---------------------------------|
|          |                        | Output torque<br>Nm | Input speed (max.)<br>RPM | Static load<br>kg | Diff. lock | Motor type     | Rated power<br>kW | Rated voltage<br>V | Service brake                   |
| TR1      | Single unit            | 300                 | 3500                      | 300               | ---        | PMDC – AMAC    | 0.3 - 0.8         | 24 - 120           | ---                             |
|          | Dual units             | 600                 | 3500                      | 600               | Electronic |                | 0.6 - 1.6         | 24 - 120           | ---                             |
|          | Wheel hubs             | 600                 | 3500                      | 600               | Electronic |                | 0.6 - 1.6         | 24 - 120           | ---                             |
|          | Drum brakes            | 600                 | 3500                      | 600               | Electronic |                | 0.6 - 1.6         | 24 - 120           | Mechanical<br>500 Nm            |
| TR1 PLUS | Single unit            | 400                 | 7200                      | 300               | ---        | AMAC – SMAC    | 0.6 - 3.0         | 24 - 120           | ---                             |
|          | Dual units             | 800                 | 7200                      | 800               | Electronic |                | 1.2 - 6.0         | 24 - 120           | ---                             |
|          | Wheel hubs             | 800                 | 7200                      | 800               | Electronic |                | 1.2 - 6.0         | 24 - 120           | ---                             |
|          | Mechanical drum brakes | 800                 | 7200                      | 800               | Electronic |                | 1.2 - 6.0         | 24 - 120           | Mechanical<br>500 Nm            |
|          | Drum brakes            | 800                 | 7200                      | 800               | Electronic |                | 1.2 - 6.0         | 24 - 120           | Hydraulic/mechanical<br>1200 Nm |

TR1 series ratios: 1:6 1:10 1:12 1:16 1:22 1:24 1:28 1:32

Motor type: please refer to the SMAC-AMAC subsection of the Electrical group section in this catalog

|                  | MOTOR SERIES |      |      |
|------------------|--------------|------|------|
|                  | PMDC         | AMAC | SMAC |
| EM parking brake | X            | X    | X    |
| Speed encoder    | -            | X    | X    |
| Maintenance Free | -            | X    | X    |
| Noise level      | -            | X    | X    |
| Temp sensor      | -            | X    | X    |
| UL ready         | -            | X    | X    |
| High efficiency  | -            | X    | X    |
| Constant torque  | -            | -    | X    |

Learn more about the CNX series that offers a range of complementary products for Benevelli axles. Contact your representative for more information.





# ELECTRIC WHEEL DRIVES

## WD220 SERIES

- Parallel configuration and precise gear machining allowing:
  - Compact and scalable design
  - Ultra-high efficiency of up to 95%
  - Lightweight
  - Battery autonomy increased by as much as 30%
  - Low noise
  - Integrated safety brake
- Easy maintenance
- High radial loads
- High power density
- High resistance to corrosion
- Adaptable to different types of wheels
- Easy installation without brackets to increase assembly stiffness
- Parking brake available



| Series | Version    | GEARBOX FEATURES    |                    |                   |                          | MOTOR FEATURES |                   |                    | Service brake |
|--------|------------|---------------------|--------------------|-------------------|--------------------------|----------------|-------------------|--------------------|---------------|
|        |            | Output torque<br>Nm | Input speed<br>RPM | Static load<br>kg | Wheel diameter<br>(min.) | Motor type     | Rated power<br>kW | Rated voltage<br>V |               |
| WD220  | Wheel hubs | ≥500                | ---                | ≥1000             | ---                      | SMAC           | 1.5 - 3           | 24 - 600           | Optional      |

Ratio available: 1:41



CONTRIBUTING TO PEOPLE'S QUALITY OF LIFE, EVERY DAY.



AXLES

AXLES



# JACKS

---

- Several finishes available to assure increased corrosion protection
- Ergonomic handles specially designed for easier leveling
- Wide variety of dimensions, capacities and designs to meet your special needs
- Years of proven reliability



# TABLE OF CONTENTS

---

## JACKS

|                        |     |
|------------------------|-----|
| Top-wind jacks .....   | 450 |
| Side-wind jacks .....  | 453 |
| Hydraulic jacks .....  | 455 |
| Heavy-duty jacks ..... | 455 |

## SLEEVES

|                       |     |
|-----------------------|-----|
| CNXL/CNXS-ACCSL ..... | 458 |
| CNXD-ACCSL .....      | 458 |
| CNXE/CNXF-ACCFL ..... | 459 |
| CNXACC-CLMB .....     | 459 |

## COATING OPTIONS

|                            |     |
|----------------------------|-----|
| Electrostatic powder ..... | 462 |
| Zinc plating .....         | 462 |
| Dacromet .....             | 462 |

## JACKS

- Selection of finishes
  - Electrostatic powder
  - Zinc plating
  - Dacromet
- Side or top grip handles
- Static capacity
- Dynamic capacity
- Equipped with one wheel on the ground, square or cylindrical tube
- Adjustable foot

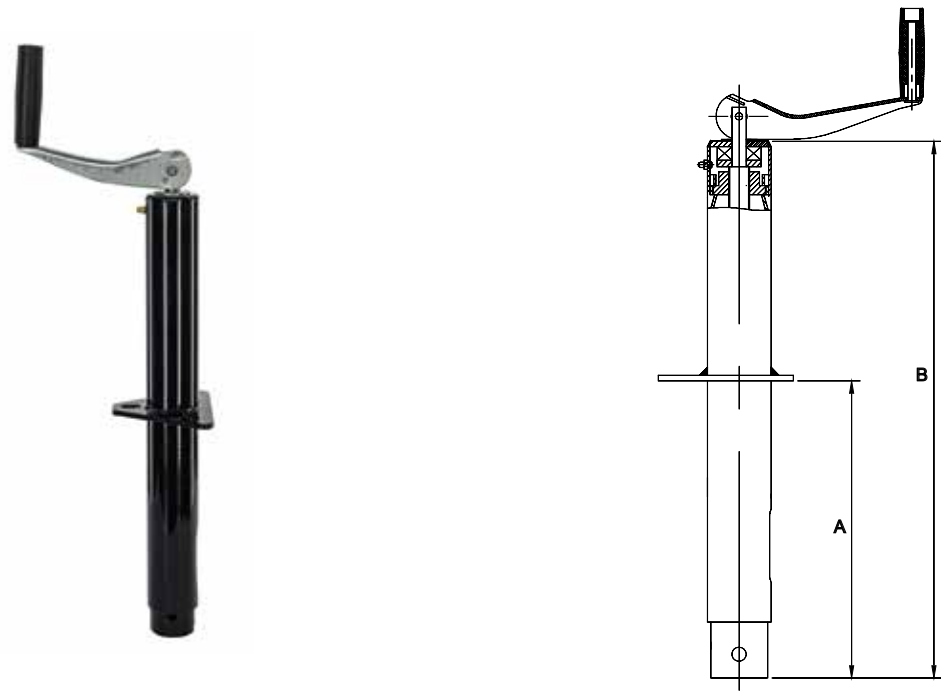


# JACKS

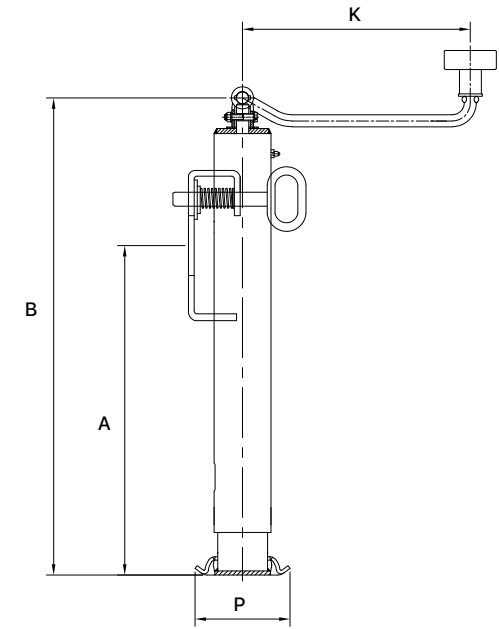
## TOP-WIND JACKS

| Series | Model     | Dynamic capacity | Static capacity | Stroke | A   | B     | P       | K   | Canimex part no. |
|--------|-----------|------------------|-----------------|--------|-----|-------|---------|-----|------------------|
|        |           | kg               | kg              |        | mm  | mm    | mm      | mm  |                  |
| CNXT   | CNXT-2-15 | 544              | 907             | 380    | 203 | 560   | -       | 150 | 175997           |
| CNXF   | CNXF-2-10 | 544              | 907             | 254    | 254 | 420   | 120x165 | 168 | 129188           |
|        | CNXF-2-15 | 544              | 907             | 380    | 380 | 535   | 120x140 | 168 | 129190           |
| CNXS   | CNXS-2-10 | 544              | 907             | 254    | 276 | 369.5 | 95x185  | 172 | 207093           |
|        | CNXS-2-15 | 907              | 2268            | 380    | 401 | 501   | 95x185  | 172 | 215357           |
|        | CNXS-5-10 | 1360             | 2268            | 254    | 281 | 380   | 95x185  | 172 | 200746           |
|        | CNXS-5-15 | 1360             | 2268            | 380    | 411 | 511   | 95x185  | 172 | 196781           |
|        | CNXS-7-10 | 1360             | 3175            | 254    | 286 | 386   | 150x202 | 172 | 198132           |
|        | CNXS-7-15 | 1360             | 3175            | 380    | 416 | 516   | 95x185  | 225 | 198133           |

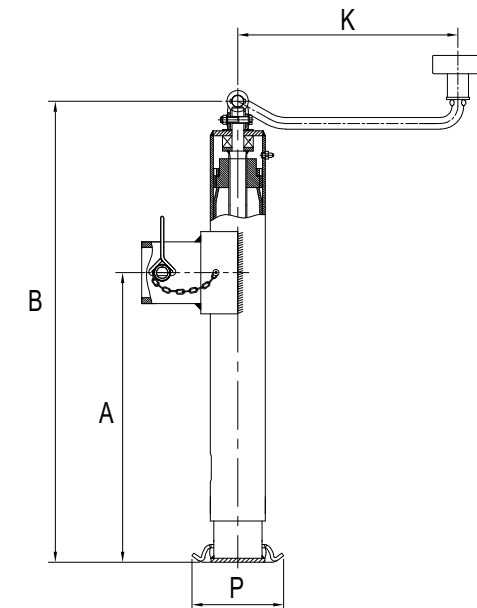
### CNXT SERIES



### CNXF SERIES



### CNXS SERIES



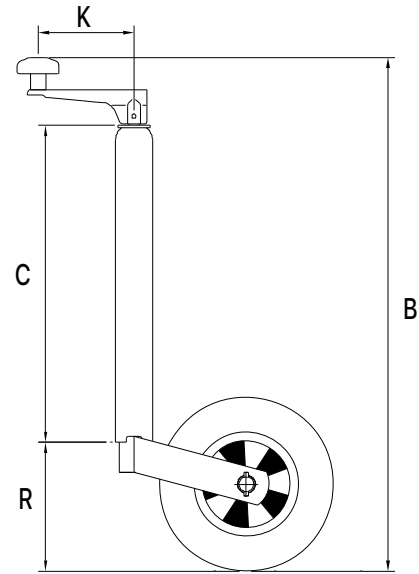


# JACKS

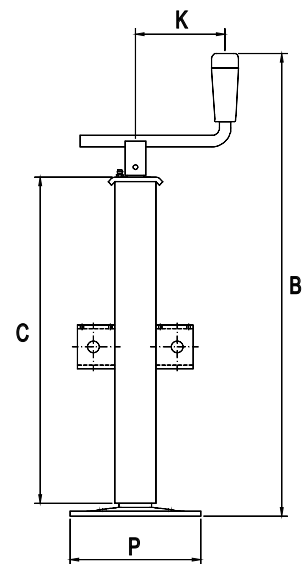
## TOP-WIND JACKS

| Series | Model        | Static capacity | Stroke | Wheels (rubber) | Outer tube | R   | C   | B   | K   | P   | Canimex part no. |
|--------|--------------|-----------------|--------|-----------------|------------|-----|-----|-----|-----|-----|------------------|
|        |              | kg              | mm     | mm              | mm         | mm  | mm  | mm  | mm  | mm  |                  |
| CNXC   | CNXC-0.2-7.5 | 100             | 190    | 200 x 50        | 48         | 150 | 350 | 575 | 110 | --- | 114724           |
| CNXP   | CNXP-2.5-12  | 1200            | 300    | ---             | 80         | --- | 500 | 675 | 185 | 220 | 153845           |

### CNXC SERIES



### CNXP SERIES

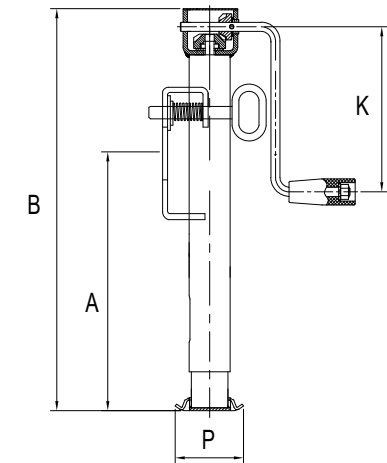


# JACKS

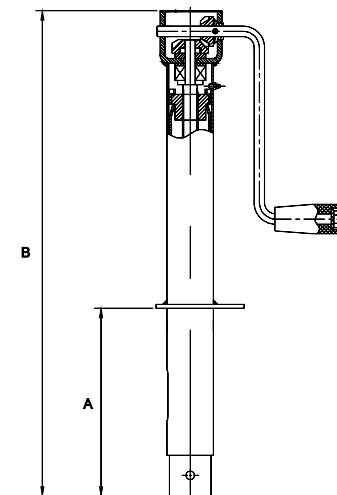
## SIDE-WIND JACKS

| Series | Model     | Dynamic capacity | Static capacity | Stroke | A   | B   | P       | K   | Canimex part no. |
|--------|-----------|------------------|-----------------|--------|-----|-----|---------|-----|------------------|
|        |           | kg               | kg              | mm     | mm  | mm  | mm      | mm  |                  |
| CNXT   | CNXT-5-15 | 1360             | 2268            | 380    | 250 | 490 | ---     | 155 | 197636           |
| CNXE   | CNXE-2-10 | 544              | 907             | 250    | 245 | 430 | 120x165 | 175 | 114772           |
|        | CNXE-2-15 | 544              | 907             | 380    | 370 | 555 | 120x165 | 175 | 129189           |
| CNXL   | CNXL-2-10 | 544              | 907             | 250    | 283 | 439 | ---     | 150 | 196780           |
|        | CNXL-2-15 | 544              | 907             | 380    | 420 | 580 | ---     | 150 | 196782           |
|        | CNXL-5-10 | 1360             | 2268            | 250    | 300 | 468 | 95x185  | 190 | 196783           |
|        | CNXL-5-15 | 1360             | 2268            | 380    | 415 | 515 | 95x185  | 190 | 197589           |
|        | CNXL-6-10 | 1633             | 2722            | 250    | 280 | 430 | 120/165 | 210 | 114775           |
|        | CNXL-6-15 | 1633             | 2722            | 380    | 395 | 485 | 95/185  | 210 | 207092           |

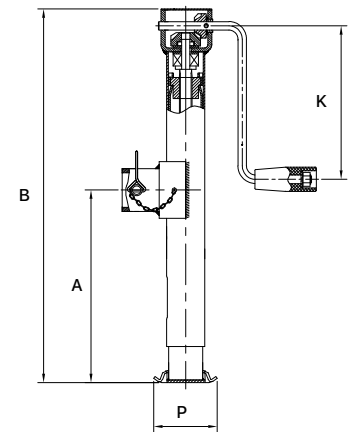
### CNXE SERIES



### CNXT SERIES



### CNXL SERIES



JACKS

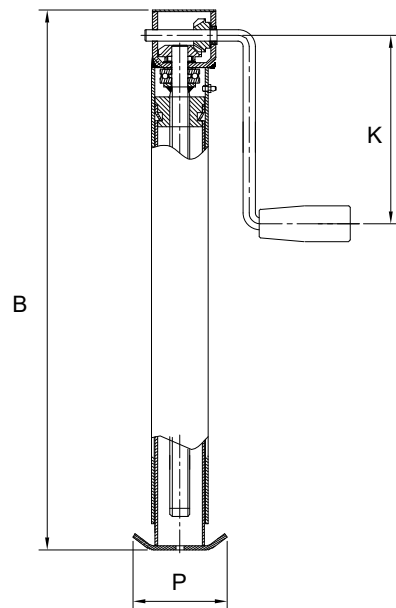
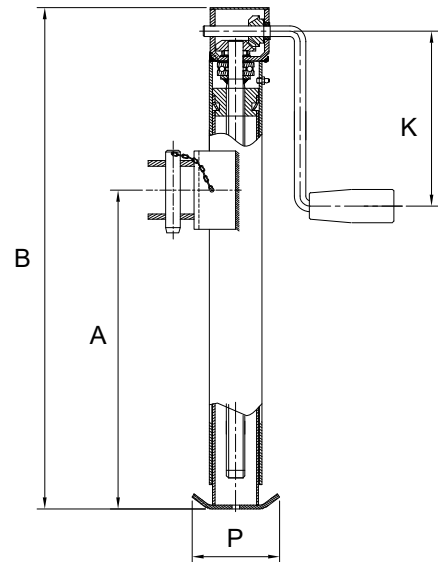
JACKS

# JACKS

## SIDE-WIND JACKS

| Series | Model       | Dynamic capacity | Static capacity | Stroke  | A   | B   | P       | K   | Canimex part no. |
|--------|-------------|------------------|-----------------|---------|-----|-----|---------|-----|------------------|
|        |             | kg               | kg              | mm      | mm  | mm  | mm      | mm  |                  |
| CNXD   | CNXD-5-15   | 1360             | 2268            | 380     | 384 | 484 | 95x185  | 190 | 194205           |
|        | CNXD-6.5-10 | ---              | 2948            | 254     | 387 | 560 | 120x165 | 167 | 179916           |
|        | CNXD-6-17   | 2268             | 2722            | 432+305 | 387 | 540 | 150x200 | 230 | 216809           |
|        | CNXD-9-12   | ---              | 4000            | 300     | 397 | 620 | 220     | 225 | 141637           |
|        | CNXD-9-15   | ---              | 4000            | 400     | 305 | 700 | ---     | 225 | 114744           |
|        | CNXD-8-15   | 3175             | 3628            | 380+305 | 285 | 590 | 150x200 | 230 | 213750           |

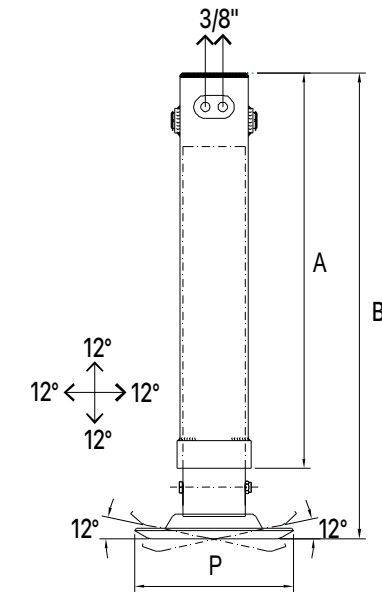
\*CNXD series are available in both top-wind and side-wind configurations



# JACKS

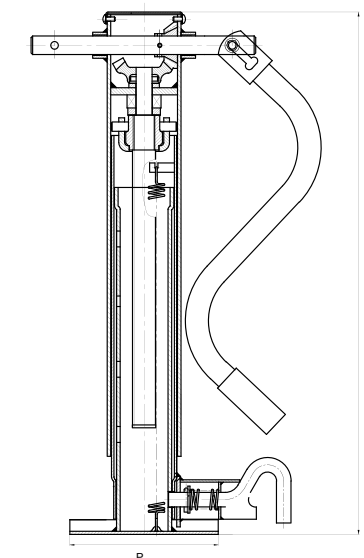
## HYDRAULIC JACKS

| Series | Model     | Static capacity | Stroke | Outer tube | A   | B   | P   | Canimex part no. |
|--------|-----------|-----------------|--------|------------|-----|-----|-----|------------------|
|        |           | kg              | mm     | mm         | mm  | mm  | mm  |                  |
| CNXH   | CNXH-8-15 | 3800            | 400    | 110        | 635 | 850 | 250 | 149198           |



## HEAVY-DUTY JACKS

| Series | Model        | Dynamic capacity | Static capacity | Stroke    | B   | P   | Canimex part no. |
|--------|--------------|------------------|-----------------|-----------|-----|-----|------------------|
|        |              | kg               | kg              | mm        | mm  | mm  |                  |
| CNXK   | CNXK-10-13.5 | 4536             | 5443            | 318 + 340 | 700 | 204 | 196250           |



JACKS

JACKS

# SLEEVES

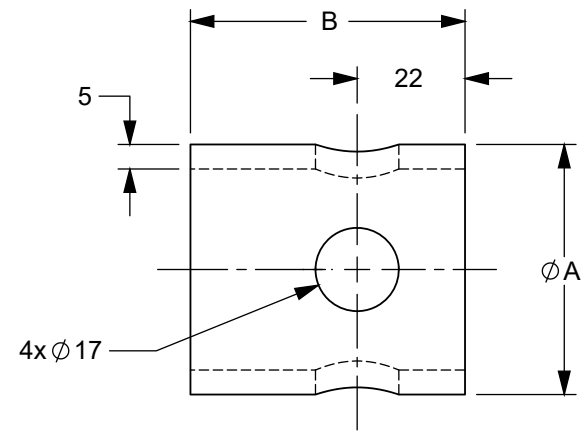
- Round
- Square
- Locking options



# SLEEVES

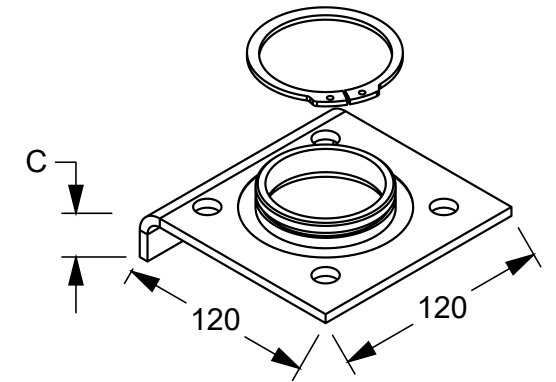
## CNXL/CNXS-ACCSL

| Series          | Model           | A  | B  | Canimex part no. |
|-----------------|-----------------|----|----|------------------|
|                 |                 | mm | mm |                  |
| CNXL/CNXS-ACCSL | CNXL-ACCSL-5156 | 51 | 56 | 213379           |



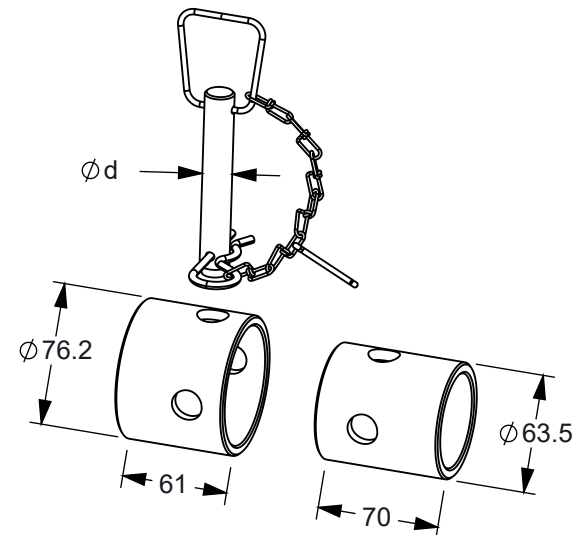
## CNXE/CNXF-ACCFL

| Series          | Model                    | A   | B   | C  | Canimex part no. |
|-----------------|--------------------------|-----|-----|----|------------------|
|                 |                          | mm  | mm  | mm |                  |
| CNXE/CNXF-ACCFL | CNXF-ACCFL-11212726      | 112 | 127 | 26 | 180188           |
|                 | CNXE/CNXF-ACCFL-12012028 | 120 | 120 | 28 | 114701           |



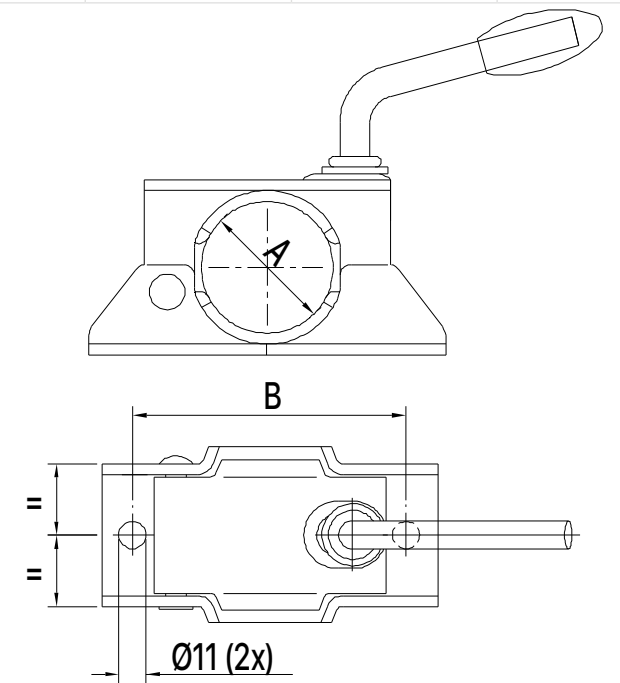
## CNXD-ACCSL

| Series     | Model                 | A  | B  | C  | D  | d  | Canimex part no. |
|------------|-----------------------|----|----|----|----|----|------------------|
|            |                       |    |    |    |    | mm |                  |
| CNXD-ACCSL | CNXD-ACCSL-KIT-617019 | 61 | 70 | 76 | 63 | 16 | 114737           |
|            | CNXD-ACCSL-IN-706317  | -- | 70 | -- | 63 | 17 | 114738           |
|            | CNXD-ACCSL-OUT-617617 | 61 | -- | 76 | -- | 17 | 114739           |
|            | CNXD-ACCSL-PC-706317  | -- | 70 | -- | 63 | 17 | 156695           |



## CNXACC-CLMB

| Series      | Model              | A  | B   | Canimex part no. |
|-------------|--------------------|----|-----|------------------|
|             |                    | mm | mm  |                  |
| CNXACC-CLMB | CNXACC-CLMB-48-105 | 48 | 105 | 114726           |





## COATING OPTIONS

- Electrostatic powder
- Zinc plating
- Dacromet



# COATING OPTIONS

## ELECTROSTATIC POWDER

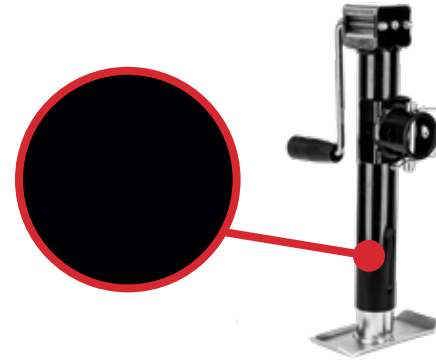
**ADVANTAGE:**

- More refined finish

**DISADVANTAGE:**

- More expensive

A black electrostatic powder coat finish with a zinc-plated foot and handle



## ZINC PLATING

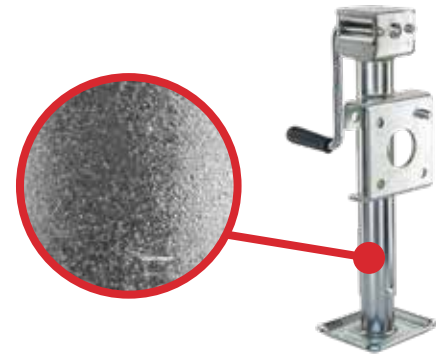
**ADVANTAGE:**

- Better corrosion resistance than paint
- More affordable

**DISADVANTAGE:**

- Less refined finish

A complete zinc-plated finish



## DACROMET

**ADVANTAGE:**

- Excellent corrosion protection

**DISADVANTAGE:**

- More fragile finish
- More expensive
- Larger amount needed compared to other finishes

A finish similar to paint



CONTRIBUTING TO PEOPLE'S QUALITY OF LIFE, EVERY DAY.





# WHEELS

---

- Scaffold wheels
- Wheels
- Casters
- Tires
- Tubes
- Rims/hubs



# TABLE OF CONTENTS

## WHEELS

|                        |     |
|------------------------|-----|
| Wheel assemblies ..... | 470 |
| Rims .....             | 472 |
| Tubes .....            | 474 |
| Tubeless valves .....  | 474 |

## IDLER WHEELS

|                    |     |
|--------------------|-----|
| Idler wheels ..... | 478 |
|--------------------|-----|

## SCAFFOLD WHEELS

|                           |     |
|---------------------------|-----|
| Brackets .....            | 482 |
| Complete assemblies ..... | 483 |

## TIRES

|                |     |
|----------------|-----|
| Tires 4" ..... | 488 |
| Tires 6" ..... | 488 |
| Tires 8" ..... | 489 |

## COMPLETE HUB KITS

|                     |     |
|---------------------|-----|
| Model 2000 lb ..... | 492 |
| Model 2500 lb ..... | 492 |

## WHEEL

### TRACTIONS





# WHEELS

- Many different tractions available
- Dimensions of up to 22-11-8
- Different rim colours available
- Outside diameter from 8 1/4" to 22"



# WHEELS

## WHEEL ASSEMBLIES

| Wheel dimensions | Item                  | Traction* | Outside diameter | Bore or bolt pattern                      | Length thru bore |
|------------------|-----------------------|-----------|------------------|---|------------------|
|                  |                       |           | in (mm)          | in (mm)                                   | in (mm)          |
| 225-4            | 418C02412C            | C         |                  | 3/4 (19.05)                               | 2 1/8 (53.975)   |
| 300-4            | 423KB022              | K         |                  | 1 (25.4)                                  | 3 7/16 (87.3125) |
| 410-350-4        | 426A01408C            | A         | 10 (254)         | 1/2 (12.7)<br>3/4 (19.05)<br>5/8 (15.875) | 3 3/4 (95.25)    |
| 410-350-4        | 421B024XXX            | B         | 10 (254)         | 5/8 (15.875)<br>3/4 (19.05)<br>1/2 (12.7) | 2 1/4 (57.15)    |
| 410-350-4        | 426C024XXX            | C         | 10 (254)         | 3/4 (19.05)                               | 3 3/4 (95.25)    |
| 410-350-4        | 428B024XXX            | B         |                  | 1/2 (12.7)<br>5/8 (15.875)<br>3/4 (19.05) | 1 7/8 (47.625)   |
| 410-350-4        | 430C0012U             | C         | 10 1/2 (266.7)   | 3/4 (19.05)                               | 3 7/16 (87.3125) |
| 410-350-4        | 430C0012C             | C         | 10 1/2 (266.7)   | 3/4 (19.05)                               | 3 7/16 (87.3125) |
| 11-400-5         | 503L0012U             | L         | 11 (279.4)       | 1 (25.4)                                  | 5 (127)          |
| 8-300-5          | 514L-SOLID TIRE-25MMB | L         | 8 3/4 (209.55)   | 1 (25.4)                                  | 3 (76.2)         |
| 410-350-6        | 604C02616S            | C         | 12 5/8 (320.675) | 1 (25.4)                                  | 2 3/4 (69.85)    |
| 410-350-6        | 604D06412C            | D         | 12 5/8 (320.675) | 3/4 (19.05)                               | 2 3/4 (69.85)    |
| 15-600-6         | 604H04X16B            | H         | 15 (381)         | 1 (25.4)                                  | 2 3/4 (69.85)    |
| 12-400-6         | 614C-SOLID TIRE-16B   | C         | 12 1/4 (311.15)  | 1 (25.4)                                  | 2 3/4 (69.85)    |
| 12-400-6         | 614C-SOLID TIRE-16S   | C         | 12 1/4 (311.15)  | 1 (25.4)                                  | 2 3/4 (69.85)    |
| 410-350-6        | 620CX02610B           | C         | 12 1/4 (311.15)  | 5/8 (15.875)                              | 4 (101.6)        |
| 480-400-6        | 801..C                | C,D       | 15 1/2 (393.7)   | 1/2 (12.7)<br>3/4 (19.05)                 | 3 3/4 (95.25)    |
| 480-400-6        | 801D064..C            | D         | 15 3/8 (390.525) | 1/2 (12.7)<br>5/8 (15.875)                | 3 1/2 (88.9)     |
| 480-400-6        | 801D064..S            | D         | 15 3/8 (390.525) | 1/2 (12.7)<br>1 (25.4)                    | 3 1/2 (88.9)     |
| 480-400-6        | 812D06412B            | D         | 14 3/4 (374.65)  | 3/4 (19.05)                               | 2 3/4 (69.85)    |
| 16-750-8         | 815HX094XXX           | H         | 16 (406.4)       | 1 (25.4)                                  | 5 (127)          |
| 480-400-8        | 851C0664P-V1          | C         | 16 3/8 (365.125) | Pilot 2 1/2 (63.5)                        | N/A              |
| 22-11-8          | 857TX1224P            | Q         | 22 (558.8)       | Pilot 2 13/16 (71.4375)                   | N/A              |

\*Reference on page 467

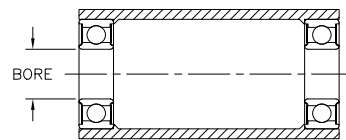
| ID type              | Rim colour | Valve | Ply | Type           |
|----------------------|------------|-------|-----|----------------|
| Ball bearing         | Black      | TR87  | 4   | Tube type      |
| KW 1/4"              | White      | TR413 | 2   | Tubeless       |
| Carbon steel bearing | Grey       | TR87  | 4   | Tube type      |
| Carbon steel bearing | Grey       | TR87  | 4   | Tube type      |
| Carbon steel bearing | Grey       |       |     | Foam           |
| Carbon steel bearing | Grey       | TR87  | 4   | Tube type      |
| Bushing              | Grey       |       |     | Solid tire     |
| Carbon steel bearing | Grey       |       |     | Semi pneumatic |
| Bushing              | Grey       |       |     | Semi pneumatic |
| Ball bearing         | Black      |       |     | Solid          |
| Roller bearing       | Beige      | TR87  | 6   | Tube type      |
| Carbon steel bearing | White      | TR87  | 4   | Tube type      |
| Ball bearing         | White      | TR13  | 2.4 | Foam type      |
| Ball bearing         | White      |       |     | Solid          |
| Roller bearing       | White      |       |     | Solid          |
| Ball bearing         | Black      | TR413 | 6   | Tubeless       |
| Carbon steel bearing | White      | TR13  | 2.4 | Tube type      |
| Carbon steel bearing | White      |       |     | Solid tire     |
| Roller bearing       | White      |       |     | Solid tire     |
| Ball bearing         | White      |       |     |                |
| Bushing              | Grey       | TR413 | 4   | Tubeless       |
| BC 4x4               | White      | TR13  | 6   | Tube type      |
| BC 4x4               | White      | TR413 | 2   | Tubeless       |

# WHEELS

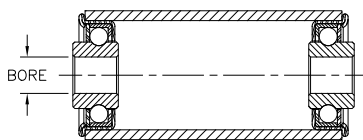
## RIMS

| Dimensions<br>(diameter x width) | Item | Description       | Bore           | Hub LTB          | Hub options*  | Additional information       |
|----------------------------------|------|-------------------|----------------|------------------|---------------|------------------------------|
|                                  |      |                   | in (mm)        | in (mm)          |               |                              |
| 4x3.25                           | 405  | GREY 1-PC STEEL   | 1 3/8 (34.925) | 2 3/16 (55.5625) | C,R,S         | ---                          |
| 4x3.25                           | 406  | GREY 1-PC STEEL   | 1 3/8 (34.925) | 3 3/4 (95.25)    | C,R,S         | Available in white           |
| 4x3                              | 409  | ZINC-PLATED 2-PCS | 1 3/8 (34.925) | 3 3/4 (95.25)    | C,R,S         | ---                          |
| 4x3                              | 423  | WHITE 1-PC        | 1 (25.4)       | 3 7/16 (87.3125) | Keyed 1/4"    | ---                          |
| 6x4                              | 604  | WHITE 1-PC        | 2 (50.8)       | 2 3/4 (69.85)    | B,C,R,S       | Available in yellow and grey |
| 6x4                              | 614  | WHITE 3-PCS       | 2 (50.8)       | 2 3/4 (69.85)    | C,R,S         | ---                          |
| 8x3                              | 801  | WHITE 1-PC        | 1 3/8 (34.925) | 3 3/4 (95.25)    | C,R,S         | ---                          |
| 8x5.5                            | 808  | WHITE 1-PC        | 2 3/64 (52)    | 4 1/8 (104.775)  | B             | Available in beige           |
| 8x7                              | 810  | WHITE 1-PC        | 2 3/64 (52)    | 4 1/8 (104.775)  | B             | ---                          |
| 8x3                              | 811  | WHITE 1-PC        | 1 3/8 (34.925) | 2 3/4 (69.85)    | C,R,S         | ---                          |
| 8x6                              | 815  | WHITE 1-PC        | 1 (25.4)       | 5 (127)          | N/A           | ---                          |
| 8x4.5                            | 851  | WHITE 1-PC        | 2 1/2 (63.5)   | N/A              | B. C 5"x4"    | Holes 19/32"                 |
| 8x5                              | 858  | GREY 1-PC         | 3 3/4 (95.25)  | N/A              | B. C 5"x5.51" | Holes 45/64"                 |
| 8x5                              | 859  | WHITE 1-PC        | 4 1/4 (107.95) | N/A              | B. C 5"x5.5"  | Holes 9/16"                  |

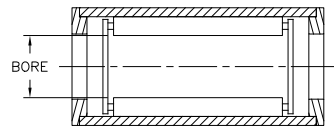
### \*Hub options



"B"  
PRECISION  
BALL BEARING

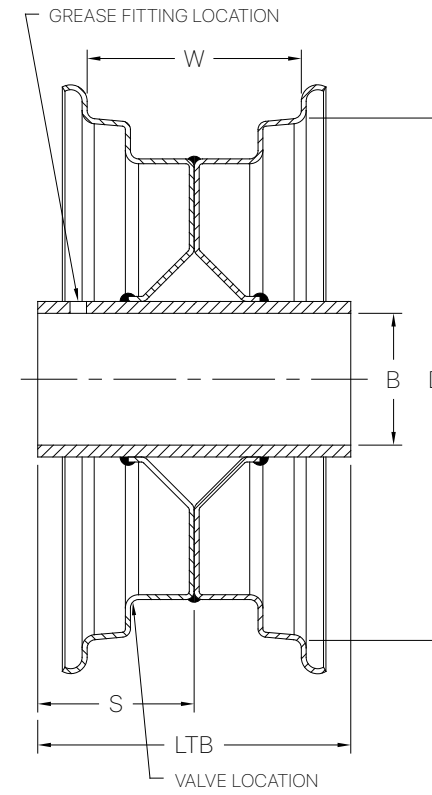


"C"  
CARBON  
STEEL BEARING

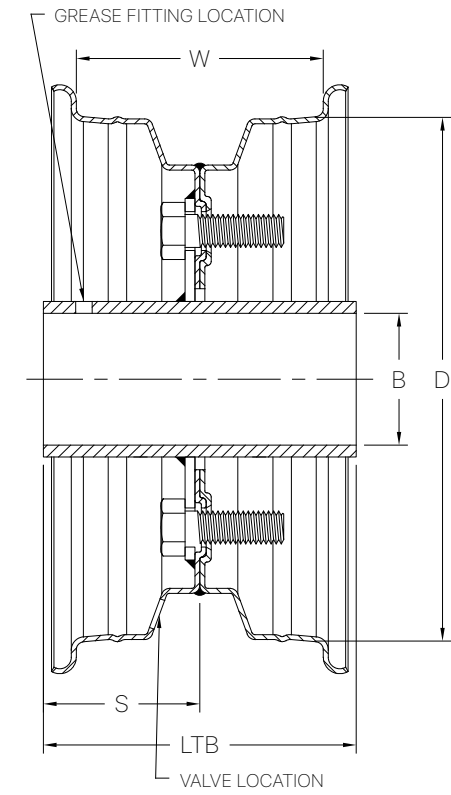


"R"  
STRAIGHT  
ROLLER BEARING  
WITH  
PLASTIC END CAPS

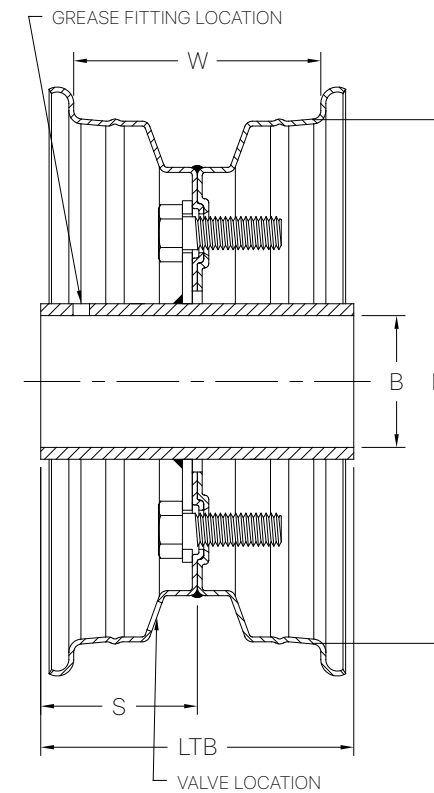
"S"  
STRAIGHT  
ROLLER BEARING  
WITH  
STEEL END CAPS



1 PIECE



2 PIECES



3 PIECES



# WHEELS

## TUBES

| For rim diameter | Item      | Valve type |
|------------------|-----------|------------|
| 4"               | 250-4     | TR87       |
|                  | 350-400-4 | TR87       |
| 6"               | 350-400-6 | TR13       |
|                  | 350-400-6 | TR87       |
|                  | 13-500-6  | TR87       |
|                  | 15-600-6  | TR13       |
| 8"               | 400-8     | TR13       |
|                  | 16-650-8  | TR13       |

## TUBELESS VALVES

| No.    | Valve angle     | Extras       |
|--------|-----------------|--------------|
| TR-413 | Right angle 90° | For tubeless |



CONTRIBUTING TO PEOPLE'S QUALITY OF LIFE, EVERY DAY.





## IDLER WHEELS

- Dimensions from 4"-3 1/2" to 5"-3 1/2"
- Outside diameters of up to 5"
- Assemblies with ball bearings
- Yellow zinc-plated rim

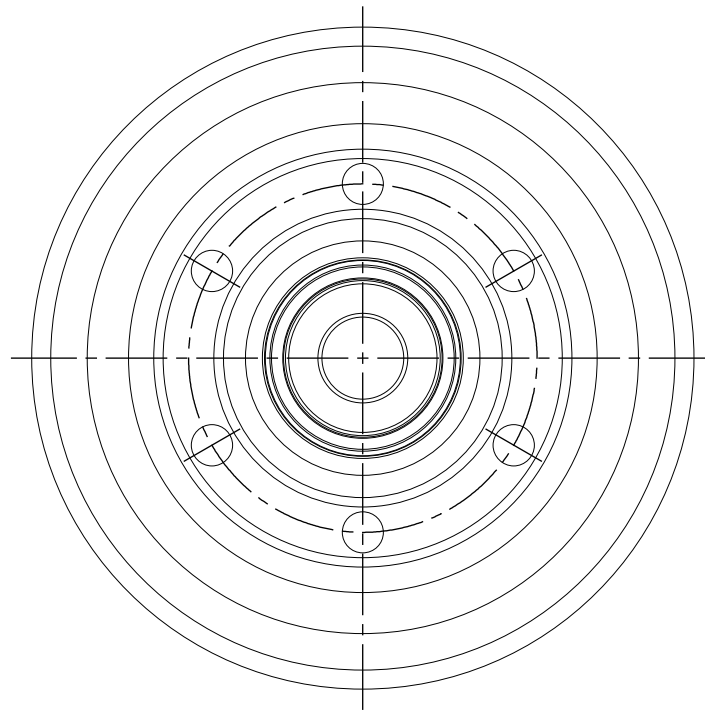
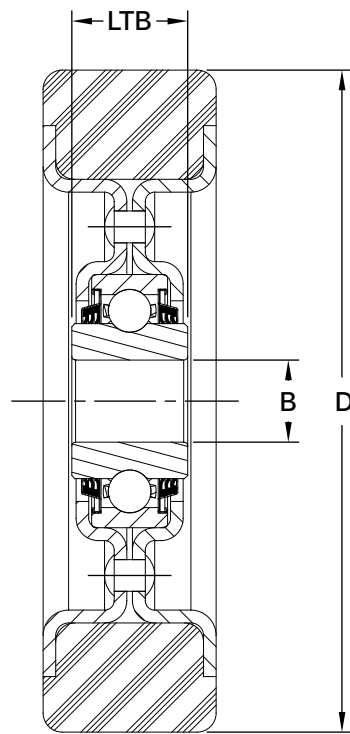


# IDLER WHEELS

## IDLER WHEELS

| Dimensions<br>(diameter-width) | Item         | Traction* | Outside<br>diameter (D) | Bore (B)        | LTB            | ID type      | Rim colour  | Type       |
|--------------------------------|--------------|-----------|-------------------------|-----------------|----------------|--------------|-------------|------------|
|                                |              |           | in (mm)                 | in (mm)         | in (mm)        |              |             |            |
| 4-3.5                          | 812R (1/2)-1 | Q         | 4<br>(101.6)            | 1/2<br>(12.7)   | 3/4<br>(19.05) | Ball bearing | Yellow zinc | Solid tire |
| 4-3                            | 813R (5/8)-1 | Q         | 4<br>(101.6)            | 5/8<br>(15.875) | 3/4<br>(19.05) | Ball bearing | Yellow zinc | Solid tire |
| 5-3.5                          | 821R (5/8)-1 | Q         | 5<br>(127)              | 5/8<br>(15.875) | 3/4<br>(19.05) | Ball bearing | Yellow zinc | Solid tire |

\*Reference on page 467



# SCAFFOLD WHEELS

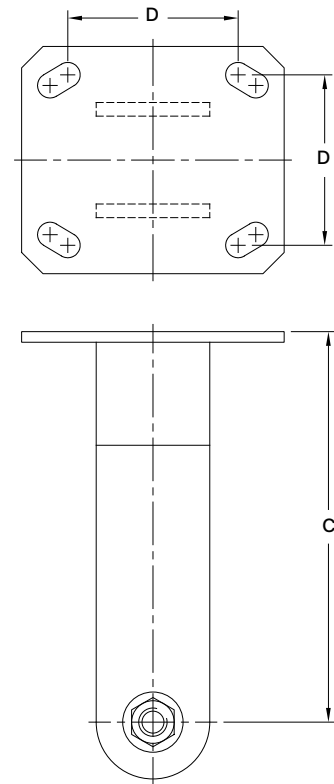
- Wheel diameter of up to 68"
- With different brackets
- Capacity from 400 lb to 500 lb
- Different models available with brakes



# SCAFFOLD WHEELS

## BRACKETS

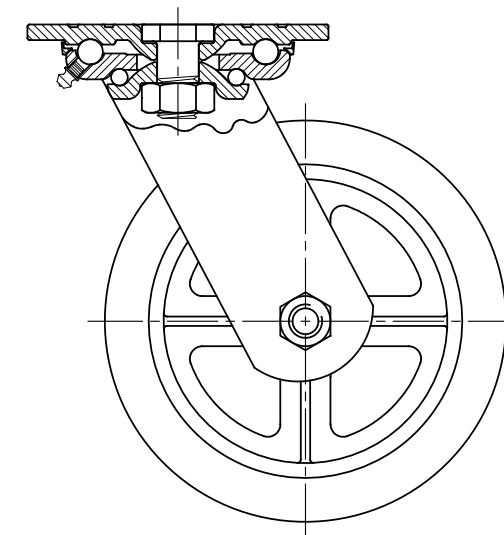
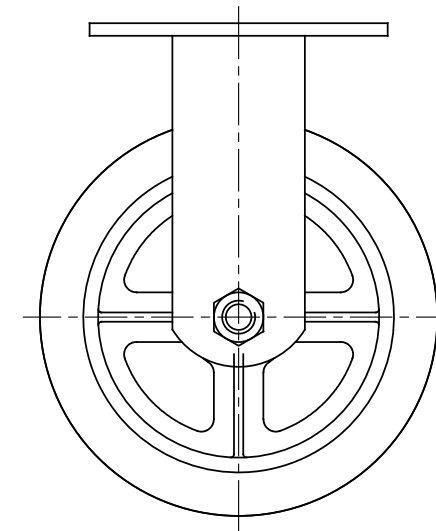
| Description | Type   | Support width (A) | Wheel space (B) | Span (C)         | Hole pattern (D)     | Brake  | Finish | Note                   |
|-------------|--------|-------------------|-----------------|------------------|----------------------|--------|--------|------------------------|
|             |        | in (mm)           | in (mm)         | in (mm)          | in (mm)              |        |        |                        |
| S03         | Swivel | 2 7/16 (61.9125)  | 4 (101.6)       | 5 7/16 (138.112) | 3 x 3 (76.2 x 76.2)  | Yes/No | Zinc   | ---                    |
| S05         | Swivel | 4 (101.6)         | 4 7/8 (123.825) | 6 7/8 (174.625)  | 3 x 3 (76.2 x 76.2)  | No     | Zinc   | ---                    |
| S07         | Swivel | 3 1/4 (82.55)     | 4 (101.6)       | 5 9/16 (141.287) | 3 x 3 (76.2 x 76.2)  | No     | Zinc   | ---                    |
| S08         | Swivel | 2 7/16 (61.9125)  | 3 1/2 (88.9)    | 4 7/16 (112.712) | 3 x 3 (76.2 x 76.2)  | Yes/No | Zinc   | ---                    |
| R03         | Rigid  | 2 7/16 (61.9125)  | 4 (101.6)       | 5 7/16 (138.112) | 3 x 3 (76.2 x 76.2)  | No     | Zinc   | ---                    |
| R05         | Rigid  | 4 (101.6)         | 4 7/8 (123.825) | 6 7/8 (174.625)  | 3 x 3 (76.2 x 76.2)  | No     | Zinc   | ---                    |
| R07         | Rigid  | 3 1/4 (82.55)     | 4 (101.6)       | 5 9/16 (141.287) | 3 x 3 (76.2 x 76.2)  | No     | Zinc   | ---                    |
| R08         | Rigid  | 2 7/16 (61.9125)  | 3 1/2 (88.9)    | 4 7/16 (112.712) | 3 x 3 (76.2 x 76.2)  | No     | Zinc   | ---                    |
| SC-152      | Swivel | 2 3/8 (60.325)    | 4 (101.6)       | 4 1/2 (114.3)    | 3 x 3 (76.2 x 76.2)  | Yes    | Zinc   | Includes plastic wheel |
| SCP150      | Swivel | 2 7/16 (61.9125)  | 3 1/2 (88.9)    | 4 3/8 (111.125)  | Shaft 1 3/8 (34.925) | Yes    | Zinc   | ---                    |
| SCP200      | Swivel | 2 7/16 (61.9125)  | 4 (101.6)       | 5 1/2 (139.7)    | Shaft 1 3/8 (34.925) | Yes    | Zinc   | ---                    |



# SCAFFOLD WHEELS

## COMPLETE ASSEMBLIES

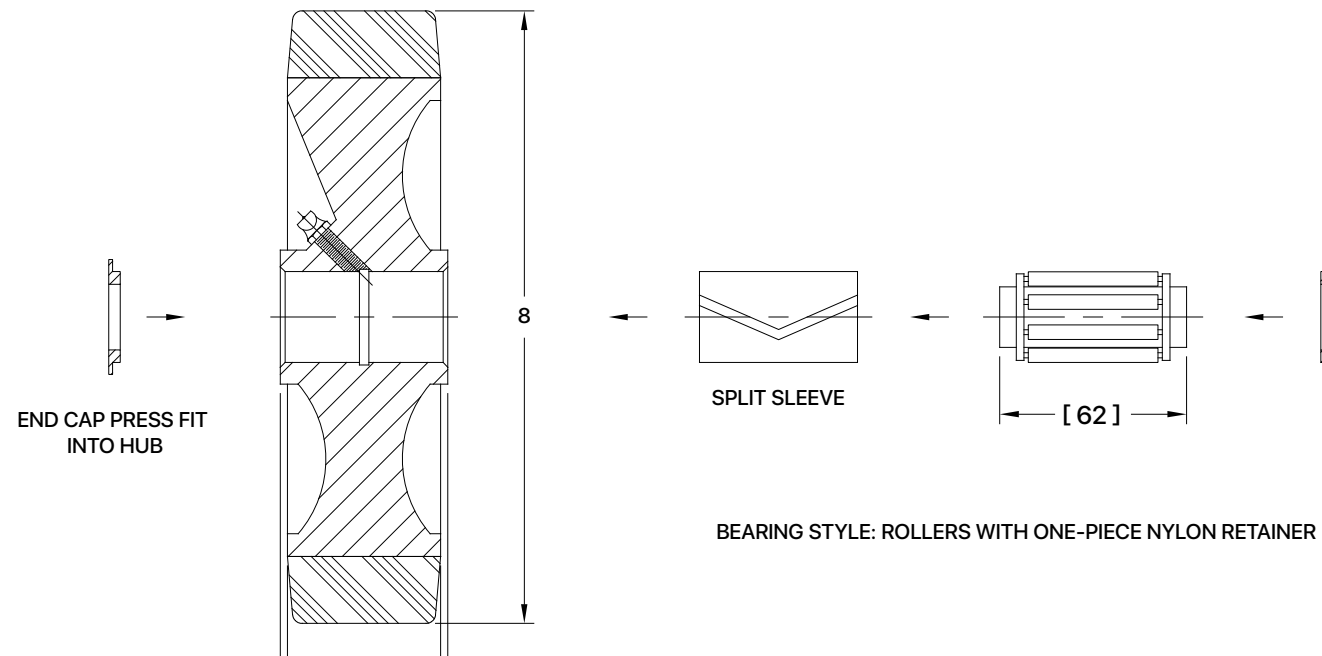
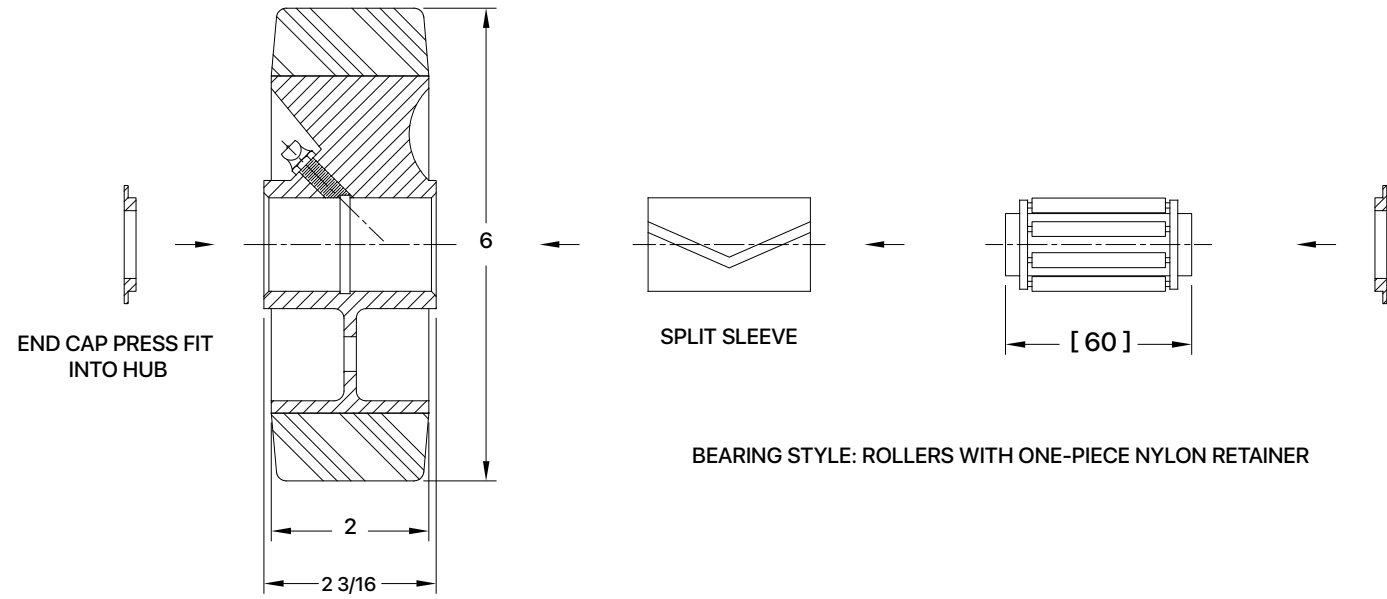
| Description | Wheel diameter | Bracket | Swivel or fixed | Capacity | Brake |
|-------------|----------------|---------|-----------------|----------|-------|
|             | in             |         |                 | lb       |       |
| TWS-150     | 6              | S08     | Swivel          | 400      | No    |
| TWS-150-BR  | 6              | S08     | Swivel          | 400      | Yes   |
| TWS-200     | 8              | S03     | Swivel          | 500      | No    |
| TWS-200-BR  | 8              | S03     | Swivel          | 500      | Yes   |
| TWR-150     | 6              | R08     | Fixed           | 400      | No    |
| TWR-200     | 8              | R03     | Fixed           | 500      | No    |
| SCP-150     | 6              | SCP150  | Swivel          | 400      | Yes   |
| SCP-200     | 8              | SCP200  | Swivel          | 500      | Yes   |





# SCAFFOLD WHEELS

## COMPLETE ASSEMBLIES



# TIRES

- Outside diameters from 4" to 8"
- Many different tractions available
- Maximum load of up to 1040 lb
- Rims available up to 9"



# TIRES

## TIRES 4"

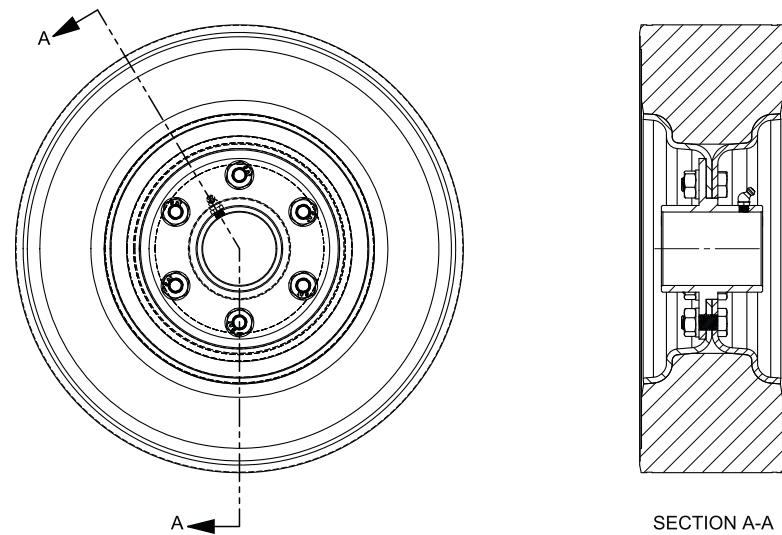
| Description | Ply | Traction* | Type | PSI | Max. load | Rim width                 |
|-------------|-----|-----------|------|-----|-----------|---------------------------|
|             |     |           |      |     | lb        | in (mm)                   |
| 250-4       | 4   | A         | Air  | 50  | 185       | 2<br>(50.8)               |
| 300-4       | 2   | K         | Air  | 25  | 200       | 2 1/2<br>(63.5)           |
| 410-350-4   | 4   | C         | Foam | N/A | 300       | 2 (50.8),<br>2 1/2 (63.5) |
| 410-350-4   | 4   | B, C      | Air  | 50  | 350       | 3 1/4<br>(82.55)          |

\*Reference on page 467

## TIRES 6"

| Description | Ply | Traction* | Type  | PSI | Max. load | Rim width                      |
|-------------|-----|-----------|-------|-----|-----------|--------------------------------|
|             |     |           |       |     | lb        | in (mm)                        |
| 410-350-6   | N/A | C, H      | Foam  | N/A | 375       | 3 1/2<br>(88.9)                |
| 410-350-6   | 4   | B, C      | Air   | 50  | 340       | 3 1/4 (82.55),<br>3 1/2 (88.9) |
| 410-350-6   | 6   | B, C      | Air   | 50  | 375       | 3 1/4 (82.55),<br>3 1/2 (88.9) |
| 385-385-6   | N/A | C         | Solid | N/A | 1000      | 3 3/4<br>(95.25)               |
| 13-500-6    | 4   | L         | Air   | 40  | 440       | 3 1/2<br>(88.9)                |

\*Reference on page 467

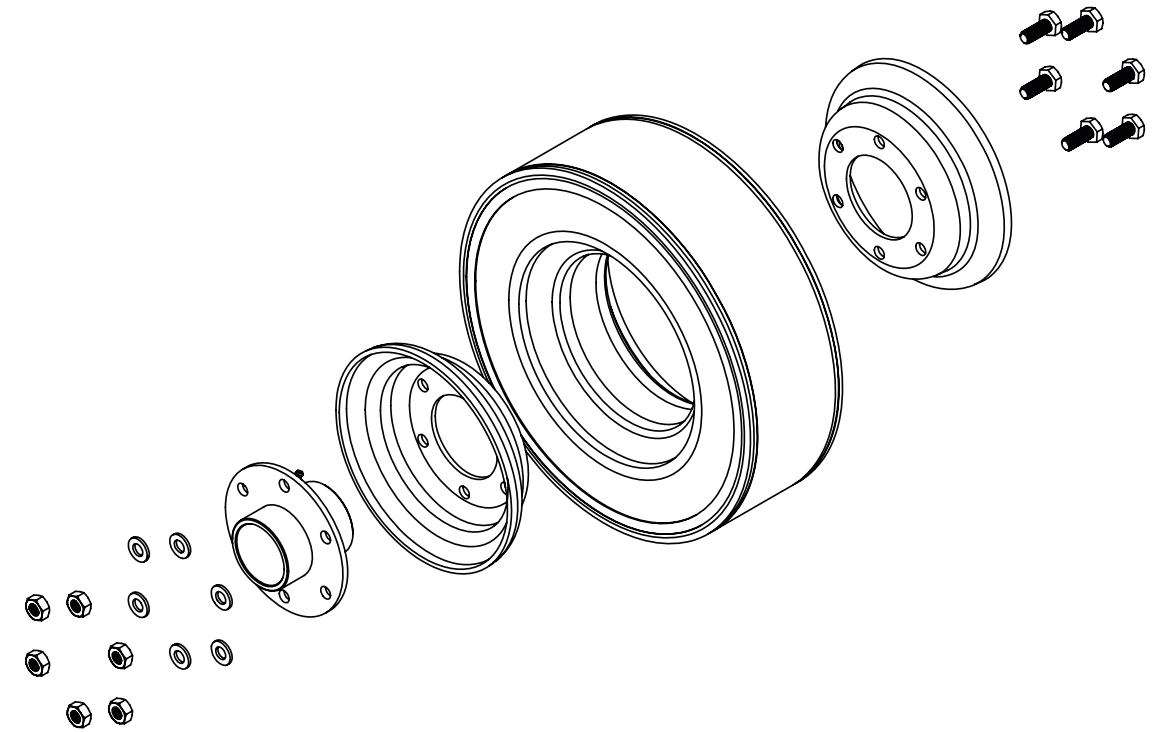


# TIRES

## TIRES 8"

| Description | Ply | Traction* | Type | PSI | Max. load | Rim width   |
|-------------|-----|-----------|------|-----|-----------|---|
|             |     |           |      |     | lb        | in (mm)   |
| 16-650-8    | 4   | H, L      | Air  | 28  | 620       | 5 1/4 (133.35),<br>5 3/8 (136.525),<br>5 1/2" (139.7) |
| 16-750-8    | 4   | H         | Air  | 24  | 680       | 5 3/8 (136.525),<br>5 1/2 (139.7)                     |
| 18-950-8    | 4   | L         | Air  | 24  | 1040      | 7<br>(177.8)  |
| 22-11-8     | 2   | Q         | Air  | 5   | 340       | 9<br>(228.6)  |
| 480-400-8   | 2   | D         | Air  | 20  | 435       | 3 3/4<br>(95.25)                                      |
| 480-400-8   | 4   | D, K      | Air  | 42  | 670       | 3 3/4<br>(95.25)                                      |
| 480-400-8   | 6   | C, F      | Air  | 50  | 900       | 3 3/4<br>(95.25)                                      |
| 480-8       | 6   | K         | Air  | 60  | 830       | 3 3/4<br>(95.25)                                      |

\*Reference on page 467



## COMPLETE HUB KITS

- 2 different models
- Bolt stud 1/2"-20"
- Includes stud and nut
- Seal and bearing assemblies





# COMPLETE HUB KITS

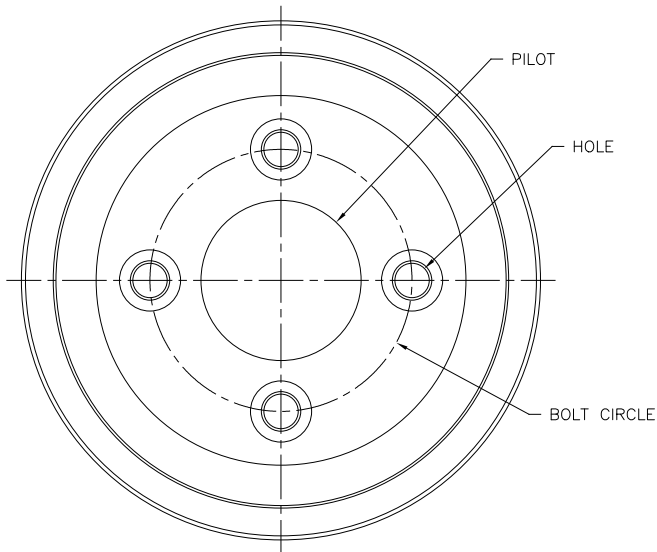


MODEL 2000 LB

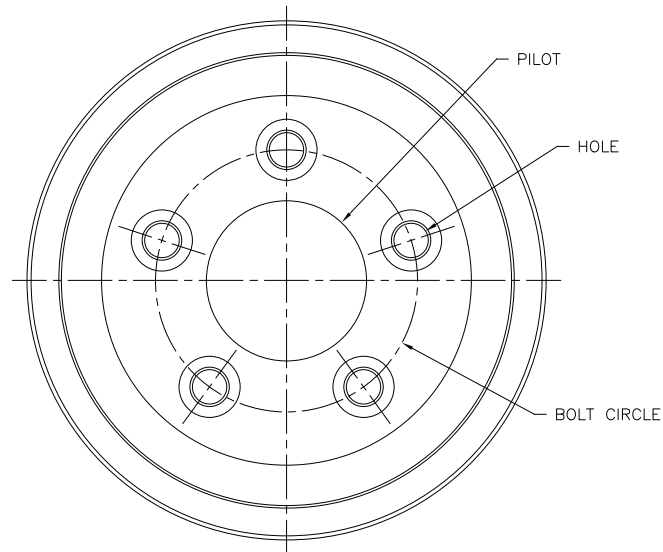
|                                     |
|-------------------------------------|
| 4 studs                             |
| Seal 1" double lips (1.219"x1.983") |
| Seal (1.5" x 1.987")                |
| Roller bearing cone LM-44643        |
| Roller bearing cup LM-44610         |
| Wheel stud 1/2"-20" reliable        |
| Dust cap 1.99"                      |
| Bolt 1/2"-20" head 13/16"           |
| Hub face 5 1/2"                     |
| Pilot 4"                            |

MODEL 2500 LB

|                                     |
|-------------------------------------|
| 5 studs                             |
| Seal 1" double lips (1.219"x1.983") |
| Seal (1.5" x 1.987")                |
| Roller bearing cone LM-44643        |
| Roller bearing cup LM-44610         |
| Wheel stud 1/2"-20" reliable        |
| Dust cap 1.99"                      |
| Bolt 1/2"-20" head 13/16"           |
| Hub face 5 1/2"                     |
| Pilot 4 1/2"                        |



"P4"  
4 HOLES PATTERN



"P5"  
5 HOLES PATTERN

# COMPLETE HUB KITS



## OUR OFFICIAL PARTNERS

### ABBA LINEAR TECH

Established in 1999, ABBA Linear Tech was the first professional linear guideway manufacturer in Taiwan to put four-row linear guideways and world-class rolled and ground ball screws into production. ABBA LinearTech focuses entirely on the development and design of innovative products. As it possesses critical industrial technology, ABBA's market share has increased year after year, now positioned at the forefront of its market.



### COMER INDUSTRIES

Comer Industries is a global player in the design and production of advanced engineering systems and mechatronic solutions for power transmission. The company manufactures gearboxes, driveshafts, powertrains and planetary drives, as well as drive wheels. All these products are specifically designed for use in the agricultural, construction, forestry, energy and industrial sectors.



### E-COMER

The green division of Comer Industries specialised in the design, development and production of electric motors and components oriented towards the enhancement of Italian manufacturing excellence in the mechanical sector, offering high efficiency and high-performance solutions.



### STM TEAM

The aim of STM Team is to design and produce innovative and reliable solutions for control and power transmission in the industrial sector, while promoting sustainable development worldwide. STM designs and manufactures an extensive range of highly efficient products, including a raft of gear reducers, both standard and custom. This product range is specially designed for use on the industrial market. STM is a company receptive to the needs of its customers and is readily available to work in collaboration with them.



## THE CANIMEX GROUP : INFINITE SOLUTIONS

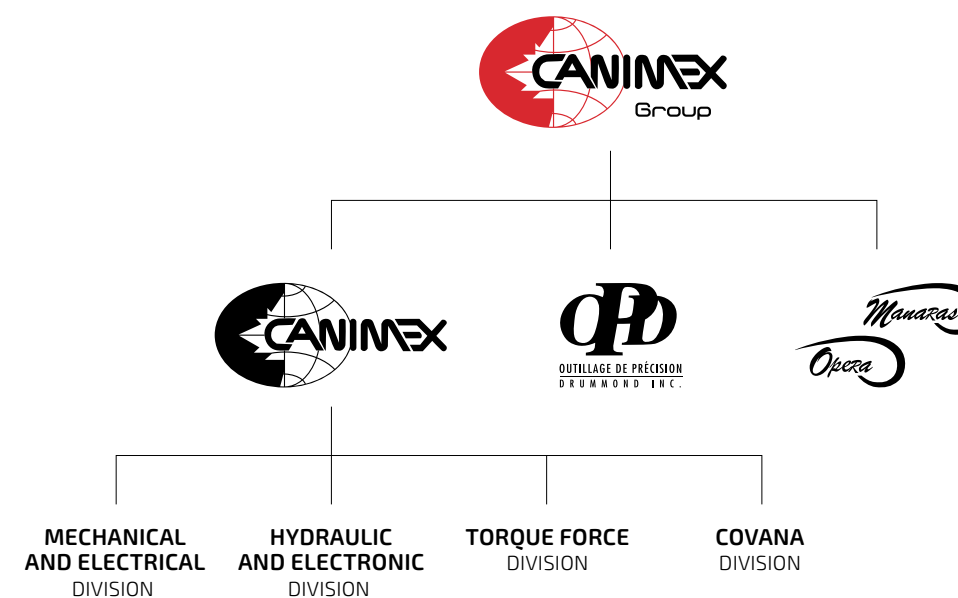
### The expertise of SIX BUSINESS UNITS at your service

Since its establishment in Drummondville in 1969, the Canimex Group has taken advantage of opportunities that have enabled it to expand and diversify its operations. This has led to the creation of four divisions, the addition of two affiliated companies, and a presence in more than 70 countries.

- Mechanical and electrical division
- Hydraulic and electronic division
- Torque Force division
- Outillage de Précision Drummond (OPD)
- Manaras-Opera
- Covana

**Thanks to these six business units, the Canimex Group offers highly diversified and complementary services to help create your projects from design to delivery.**

A world leader in manufacturing and international trade of mechanical, electrical, hydraulic and electronic components, of access systems and garage door products, we also offer aluminum die casting for the automobile industry, tooling and high precision machining services, sheet metal transformation as well as the manufacture of molds, dies and mechanically welded parts. We push further the limits of innovation in designing, producing and distributing automated covers for spas and swim spas. In short, we aim to create comprehensive and ever more innovative solutions for each clients, in any field.









**Our clients, the heart of our history.**

## **Canimex Group in brief**

**50**

Over 50 YEARS of partnership and innovation

**6**

The strenght of one group with the expertise of 6 business UNITS

**800**

Over 800 qualified and dedicated employees

**70**

A world leader with a presence in more than 70 COUNTRIES

**1 800 000**

Production and warehousing facilities in Drummondville totaling more than 1 800 000 SQUARE FEET

**1969**

A tradition of excellence SINCE 1969

285, Saint-Georges, Drummondville (Québec) Canada J2C 4H3  
1-855-777-1335



canimex.com |   