

# WHEELS

---

- Scaffold wheels
- Wheels
- Casters
- Tires
- Tubes
- Rims/hubs



# TABLE OF CONTENTS

## WHEELS

Wheel assemblies .....	470
Rims .....	472
Tubes .....	474
Tubeless valves .....	474

## IDLER WHEELS

Idler wheels .....	478
--------------------	-----

## SCAFFOLD WHEELS

Brackets .....	482
Complete assemblies .....	483

## TIRES

Tires 4" .....	488
Tires 6" .....	488
Tires 8" .....	489

## COMPLETE HUB KITS

Model 2000 lb .....	492
Model 2500 lb .....	492

## WHEEL

### TRACTIONS



# WHEELS

- Many different tractions available
- Dimensions of up to 22-11-8
- Different rim colours available
- Outside diameter from 8 1/4" to 22"



# WHEELS

## WHEEL ASSEMBLIES

Wheel dimensions	Item	Traction*	Outside diameter	Bore or bolt pattern	Length thru bore
			in (mm)	in (mm)	in (mm)
225-4	418C02412C	C		3/4 (19.05)	2 1/8 (53.975)
300-4	423KB022	K		1 (25.4)	3 7/16 (87.3125)
410-350-4	426A01408C	A	10 (254)	1/2 (12.7) 3/4 (19.05) 5/8 (15.875)	3 3/4 (95.25)
410-350-4	421B024XXX	B	10 (254)	5/8 (15.875) 3/4 (19.05) 1/2 (12.7)	2 1/4 (57.15)
410-350-4	426C024XXX	C	10 (254)	3/4 (19.05)	3 3/4 (95.25)
410-350-4	428B024XXX	B		1/2 (12.7) 5/8 (15.875) 3/4 (19.05)	1 7/8 (47.625)
410-350-4	430C0012U	C	10 1/2 (266.7)	3/4 (19.05)	3 7/16 (87.3125)
410-350-4	430C0012C	C	10 1/2 (266.7)	3/4 (19.05)	3 7/16 (87.3125)
11-400-5	503L0012U	L	11 (279.4)	1 (25.4)	5 (127)
8-300-5	514L-SOLID TIRE-25MMB	L	8 3/4 (209.55)	1 (25.4)	3 (76.2)
410-350-6	604C02616S	C	12 5/8 (320.675)	1 (25.4)	2 3/4 (69.85)
410-350-6	604D06412C	D	12 5/8 (320.675)	3/4 (19.05)	2 3/4 (69.85)
15-600-6	604H04X16B	H	15 (381)	1 (25.4)	2 3/4 (69.85)
12-400-6	614C-SOLID TIRE-16B	C	12 1/4 (311.15)	1 (25.4)	2 3/4 (69.85)
12-400-6	614C-SOLID TIRE-16S	C	12 1/4 (311.15)	1 (25.4)	2 3/4 (69.85)
410-350-6	620CX02610B	C	12 1/4 (311.15)	5/8 (15.875)	4 (101.6)
480-400-6	801..C	C,D	15 1/2 (393.7)	1/2 (12.7) 3/4 (19.05)	3 3/4 (95.25)
480-400-6	801D064..C	D	15 3/8 (390.525)	1/2 (12.7) 5/8 (15.875)	3 1/2 (88.9)
480-400-6	801D064..S	D	15 3/8 (390.525)	1/2 (12.7) 1 (25.4)	3 1/2 (88.9)
480-400-6	812D06412B	D	14 3/4 (374.65)	3/4 (19.05)	2 3/4 (69.85)
16-750-8	815HX094XXX	H	16 (406.4)	1 (25.4)	5 (127)
480-400-8	851C0664P-V1	C	16 3/8 (365.125)	Pilot 2 1/2 (63.5)	N/A
22-11-8	857TX1224P	Q	22 (558.8)	Pilot 2 13/16 (71.4375)	N/A

\*Reference on page 467

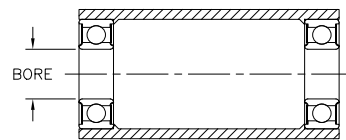
ID type	Rim colour	Valve	Ply	Type
Ball bearing	Black	TR87	4	Tube type
KW 1/4"	White	TR413	2	Tubeless
Carbon steel bearing	Grey	TR87	4	Tube type
Carbon steel bearing	Grey	TR87	4	Tube type
Carbon steel bearing	Grey			Foam
Carbon steel bearing	Grey	TR87	4	Tube type
Bushing	Grey			Solid tire
Carbon steel bearing	Grey			Semi pneumatic
Bushing	Grey			Semi pneumatic
Ball bearing	Black			Solid
Roller bearing	Beige	TR87	6	Tube type
Carbon steel bearing	White	TR87	4	Tube type
Ball bearing	White	TR13	2.4	Foam type
Ball bearing	White			Solid
Roller bearing	White			Solid
Ball bearing	Black	TR413	6	Tubeless
Carbon steel bearing	White	TR13	2.4	Tube type
Carbon steel bearing	White			Solid tire
Roller bearing	White			Solid tire
Ball bearing	White			
Bushing	Grey	TR413	4	Tubeless
BC 4x4	White	TR13	6	Tube type
BC 4x4	White	TR413	2	Tubeless

# WHEELS

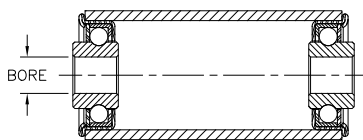
## RIMS

Dimensions (diameter x width)	Item	Description	Bore	Hub LTB	Hub options*	Additional information
			in (mm)	in (mm)		
4x3.25	405	GREY 1-PC STEEL	1 3/8 (34.925)	2 3/16 (55.5625)	C,R,S	---
4x3.25	406	GREY 1-PC STEEL	1 3/8 (34.925)	3 3/4 (95.25)	C,R,S	Available in white
4x3	409	ZINC-PLATED 2-PCS	1 3/8 (34.925)	3 3/4 (95.25)	C,R,S	---
4x3	423	WHITE 1-PC	1 (25.4)	3 7/16 (87.3125)	Keyed 1/4"	---
6x4	604	WHITE 1-PC	2 (50.8)	2 3/4 (69.85)	B,C,R,S	Available in yellow and grey
6x4	614	WHITE 3-PCS	2 (50.8)	2 3/4 (69.85)	C,R,S	---
8x3	801	WHITE 1-PC	1 3/8 (34.925)	3 3/4 (95.25)	C,R,S	---
8x5.5	808	WHITE 1-PC	2 3/64 (52)	4 1/8 (104.775)	B	Available in beige
8x7	810	WHITE 1-PC	2 3/64 (52)	4 1/8 (104.775)	B	---
8x3	811	WHITE 1-PC	1 3/8 (34.925)	2 3/4 (69.85)	C,R,S	---
8x6	815	WHITE 1-PC	1 (25.4)	5 (127)	N/A	---
8x4.5	851	WHITE 1-PC	2 1/2 (63.5)	N/A	B. C 5"x4"	Holes 19/32"
8x5	858	GREY 1-PC	3 3/4 (95.25)	N/A	B. C 5"x5.51"	Holes 45/64"
8x5	859	WHITE 1-PC	4 1/4 (107.95)	N/A	B. C 5"x5.5"	Holes 9/16"

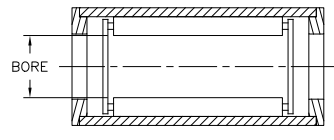
### \*Hub options



"B"  
PRECISION  
BALL BEARING

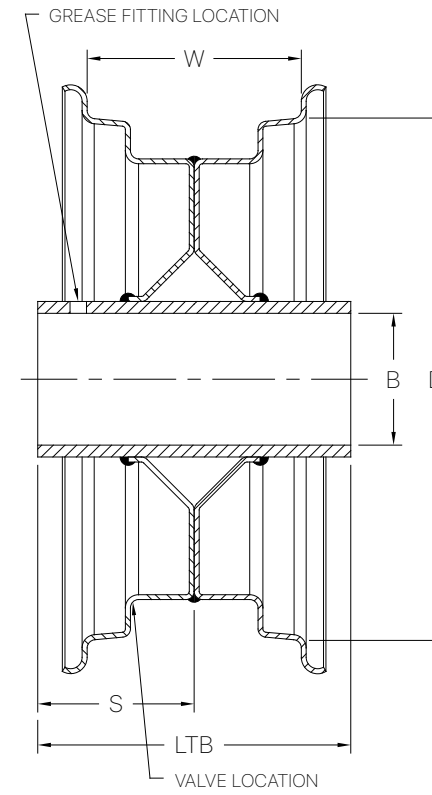


"C"  
CARBON  
STEEL BEARING

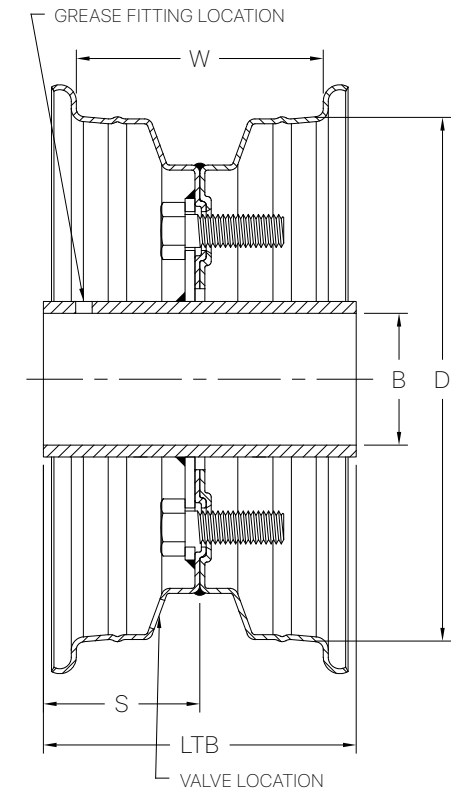


"R"  
STRAIGHT  
ROLLER BEARING  
WITH  
PLASTIC END CAPS

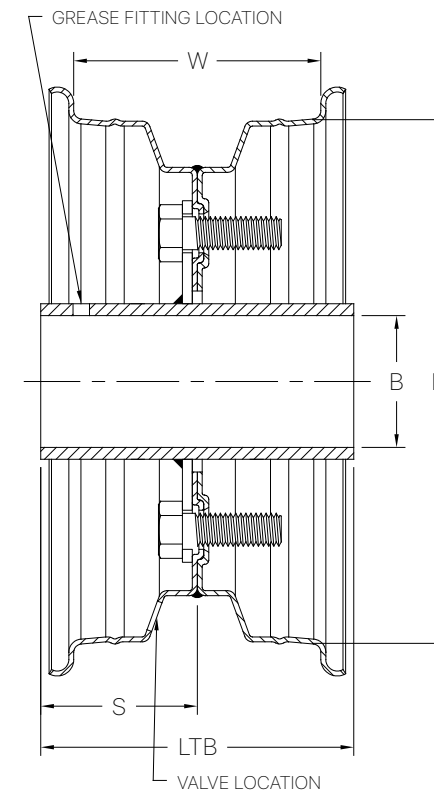
"S"  
STRAIGHT  
ROLLER BEARING  
WITH  
STEEL END CAPS



1 PIECE



2 PIECES



3 PIECES

# WHEELS

## TUBES

For rim diameter	Item	Valve type
4"	250-4	TR87
	350-400-4	TR87
6"	350-400-6	TR13
	350-400-6	TR87
	13-500-6	TR87
	15-600-6	TR13
8"	400-8	TR13
	16-650-8	TR13

## TUBELESS VALVES

No.	Valve angle	Extras
TR-413	Right angle 90°	For tubeless



CONTRIBUTING TO PEOPLE'S QUALITY OF LIFE, EVERY DAY.



## IDLER WHEELS

- Dimensions from 4"-3 1/2" to 5"-3 1/2"
- Outside diameters of up to 5"
- Assemblies with ball bearings
- Yellow zinc-plated rim

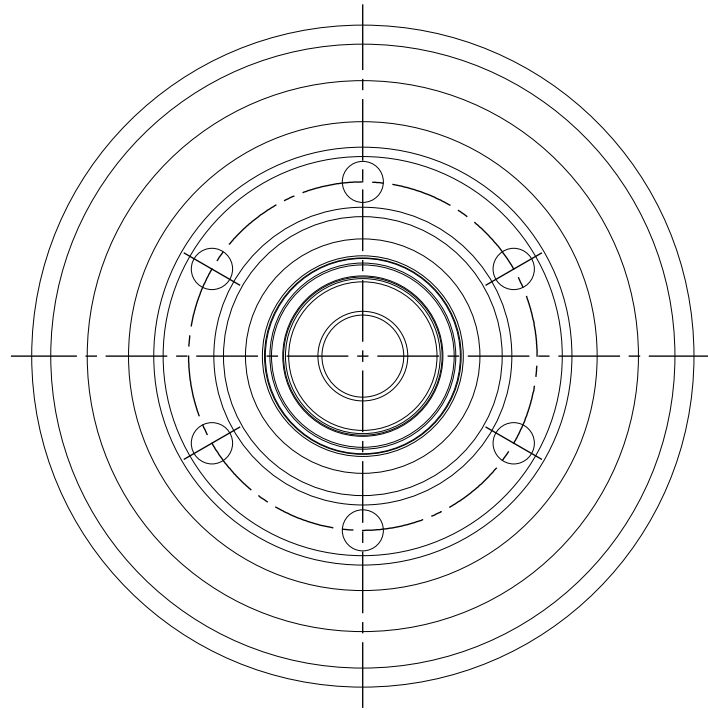
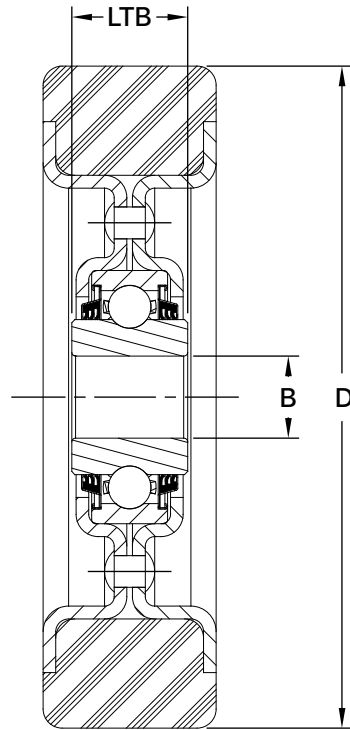


# IDLER WHEELS

## IDLER WHEELS

Dimensions (diameter-width)	Item	Traction*	Outside diameter (D)	Bore (B)	LTB	ID type	Rim colour	Type
			in (mm)	in (mm)	in (mm)			
4-3.5	812R (1/2)-1	Q	4 (101.6)	1/2 (12.7)	3/4 (19.05)	Ball bearing	Yellow zinc	Solid tire
4-3	813R (5/8)-1	Q	4 (101.6)	5/8 (15.875)	3/4 (19.05)	Ball bearing	Yellow zinc	Solid tire
5-3.5	821R (5/8)-1	Q	5 (127)	5/8 (15.875)	3/4 (19.05)	Ball bearing	Yellow zinc	Solid tire

\*Reference on page 467





# SCAFFOLD WHEELS

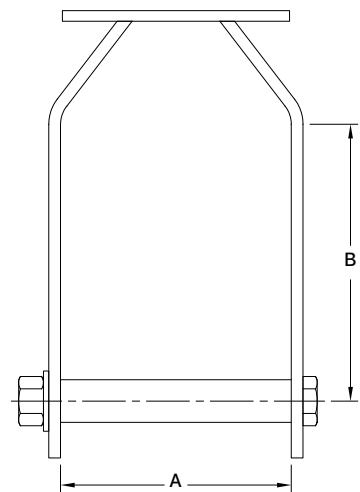
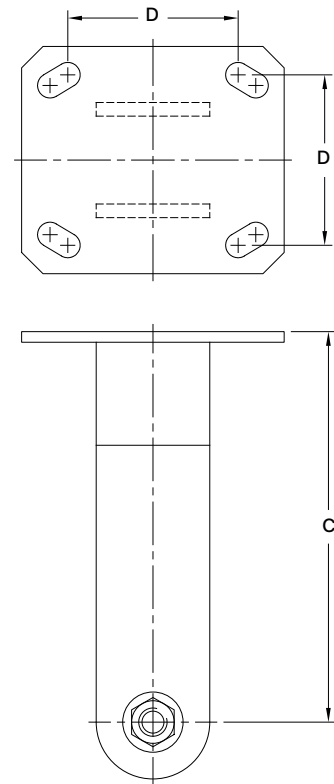
- Wheel diameter of up to 68"
- With different brackets
- Capacity from 400 lb to 500 lb
- Different models available with brakes



# SCAFFOLD WHEELS

## BRACKETS

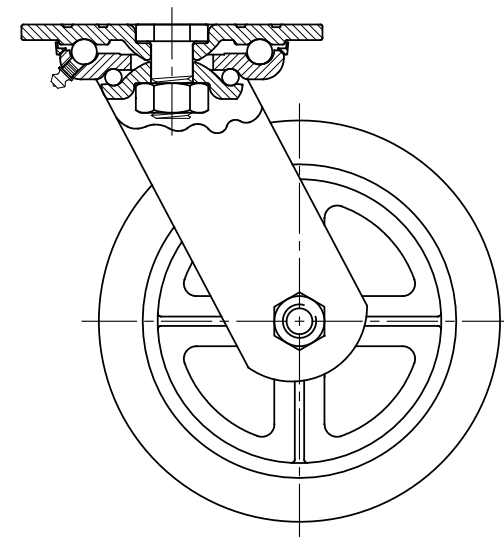
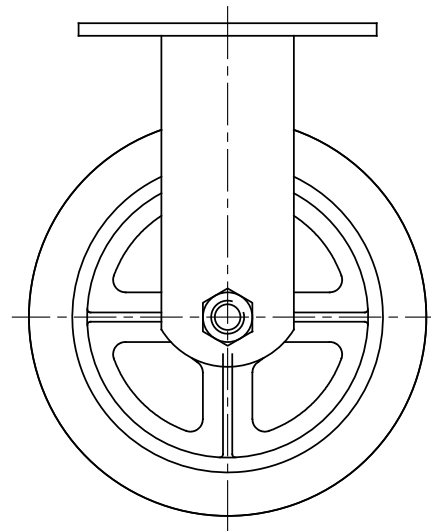
Description	Type	Support width (A)	Wheel space (B)	Span (C)	Hole pattern (D)	Brake	Finish	Note
		in (mm)	in (mm)	in (mm)	in (mm)			
S03	Swivel	2 7/16 (61.9125)	4 (101.6)	5 7/16 (138.112)	3 x 3 (76.2 x 76.2)	Yes/No	Zinc	---
S05	Swivel	4 (101.6)	4 7/8 (123.825)	6 7/8 (174.625)	3 x 3 (76.2 x 76.2)	No	Zinc	---
S07	Swivel	3 1/4 (82.55)	4 (101.6)	5 9/16 (141.287)	3 x 3 (76.2 x 76.2)	No	Zinc	---
S08	Swivel	2 7/16 (61.9125)	3 1/2 (88.9)	4 7/16 (112.712)	3 x 3 (76.2 x 76.2)	Yes/No	Zinc	---
R03	Rigid	2 7/16 (61.9125)	4 (101.6)	5 7/16 (138.112)	3 x 3 (76.2 x 76.2)	No	Zinc	---
R05	Rigid	4 (101.6)	4 7/8 (123.825)	6 7/8 (174.625)	3 x 3 (76.2 x 76.2)	No	Zinc	---
R07	Rigid	3 1/4 (82.55)	4 (101.6)	5 9/16 (141.287)	3 x 3 (76.2 x 76.2)	No	Zinc	---
R08	Rigid	2 7/16 (61.9125)	3 1/2 (88.9)	4 7/16 (112.712)	3 x 3 (76.2 x 76.2)	No	Zinc	---
SC-152	Swivel	2 3/8 (60.325)	4 (101.6)	4 1/2 (114.3)	3 x 3 (76.2 x 76.2)	Yes	Zinc	Includes plastic wheel
SCP150	Swivel	2 7/16 (61.9125)	3 1/2 (88.9)	4 3/8 (111.125)	Shaft 1 3/8 (34.925)	Yes	Zinc	---
SCP200	Swivel	2 7/16 (61.9125)	4 (101.6)	5 1/2 (139.7)	Shaft 1 3/8 (34.925)	Yes	Zinc	---



# SCAFFOLD WHEELS

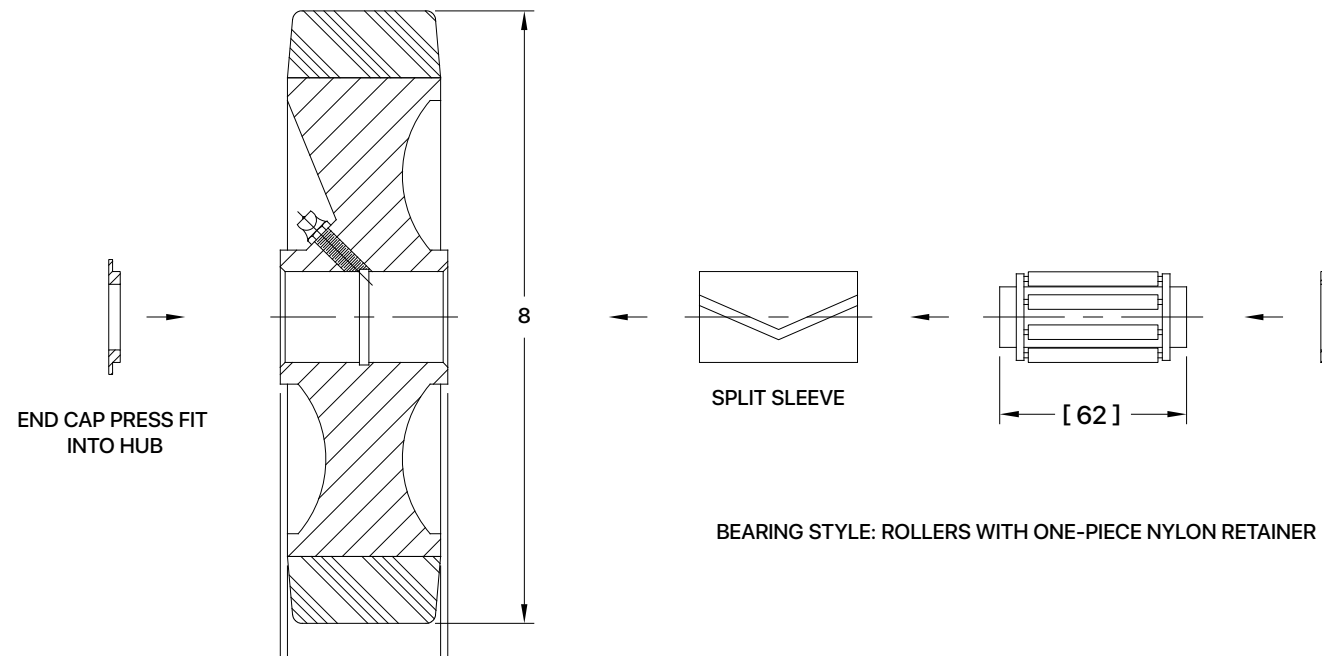
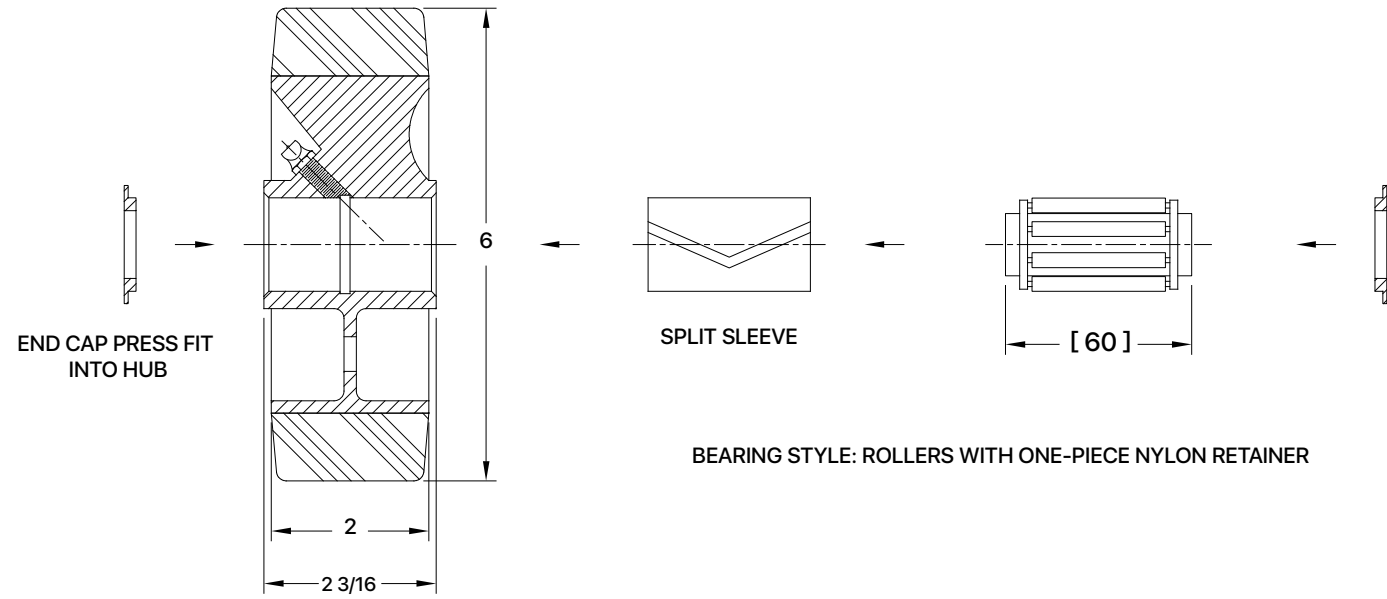
## COMPLETE ASSEMBLIES

Description	Wheel diameter	Bracket	Swivel or fixed	Capacity	Brake
	in			lb	
TWS-150	6	S08	Swivel	400	No
TWS-150-BR	6	S08	Swivel	400	Yes
TWS-200	8	S03	Swivel	500	No
TWS-200-BR	8	S03	Swivel	500	Yes
TWR-150	6	R08	Fixed	400	No
TWR-200	8	R03	Fixed	500	No
SCP-150	6	SCP150	Swivel	400	Yes
SCP-200	8	SCP200	Swivel	500	Yes



# SCAFFOLD WHEELS

COMPLETE ASSEMBLIES



# TIRES

- Outside diameters from 4" to 8"
- Many different tractions available
- Maximum load of up to 1040 lb
- Rims available up to 9"



# TIRES

## TIRES 4"

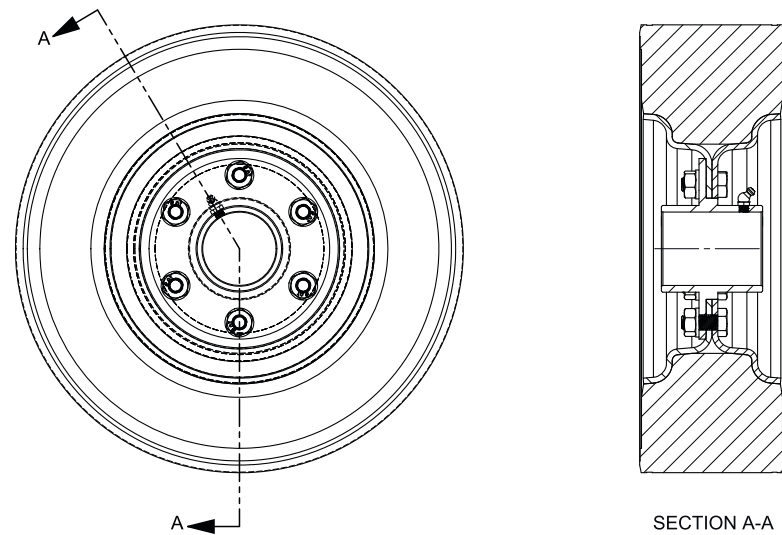
Description	Ply	Traction*	Type	PSI	Max. load	Rim width
					lb	in (mm)
250-4	4	A	Air	50	185	2 (50.8)
300-4	2	K	Air	25	200	2 1/2 (63.5)
410-350-4	4	C	Foam	N/A	300	2 (50.8), 2 1/2 (63.5)
410-350-4	4	B, C	Air	50	350	3 1/4 (82.55)

\*Reference on page 467

## TIRES 6"

Description	Ply	Traction*	Type	PSI	Max. load	Rim width
					lb	in (mm)
410-350-6	N/A	C, H	Foam	N/A	375	3 1/2 (88.9)
410-350-6	4	B, C	Air	50	340	3 1/4 (82.55), 3 1/2 (88.9)
410-350-6	6	B, C	Air	50	375	3 1/4 (82.55), 3 1/2 (88.9)
385-385-6	N/A	C	Solid	N/A	1000	3 3/4 (95.25)
13-500-6	4	L	Air	40	440	3 1/2 (88.9)

\*Reference on page 467

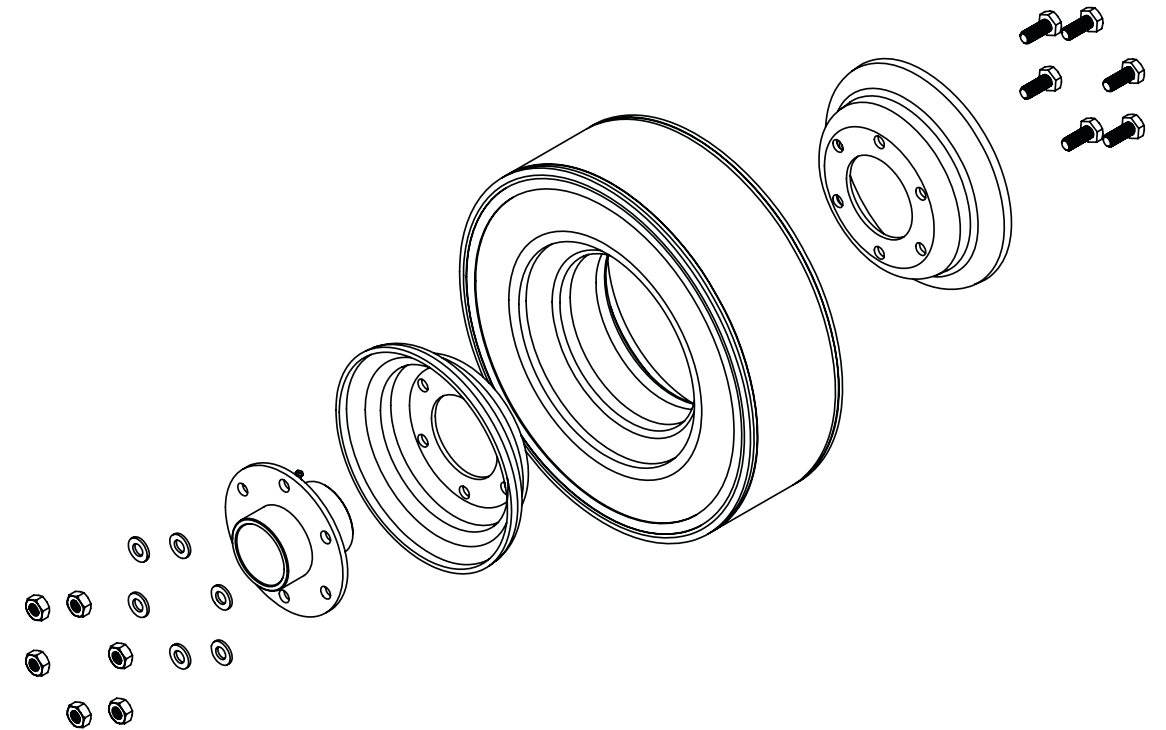


# TIRES

## TIRES 8"

Description	Ply	Traction*	Type	PSI	Max. load	Rim width
					lb	in (mm)
16-650-8	4	H, L	Air	28	620	5 1/4 (133.35), 5 3/8 (136.525), 5 1/2" (139.7)
16-750-8	4	H	Air	24	680	5 3/8 (136.525), 5 1/2 (139.7)
18-950-8	4	L	Air	24	1040	7 (177.8)
22-11-8	2	Q	Air	5	340	9 (228.6)
480-400-8	2	D	Air	20	435	3 3/4 (95.25)
480-400-8	4	D, K	Air	42	670	3 3/4 (95.25)
480-400-8	6	C, F	Air	50	900	3 3/4 (95.25)
480-8	6	K	Air	60	830	3 3/4 (95.25)

\*Reference on page 467



## COMPLETE HUB KITS

- 2 different models
- Bolt stud 1/2"-20"
- Includes stud and nut
- Seal and bearing assemblies



# COMPLETE HUB KITS

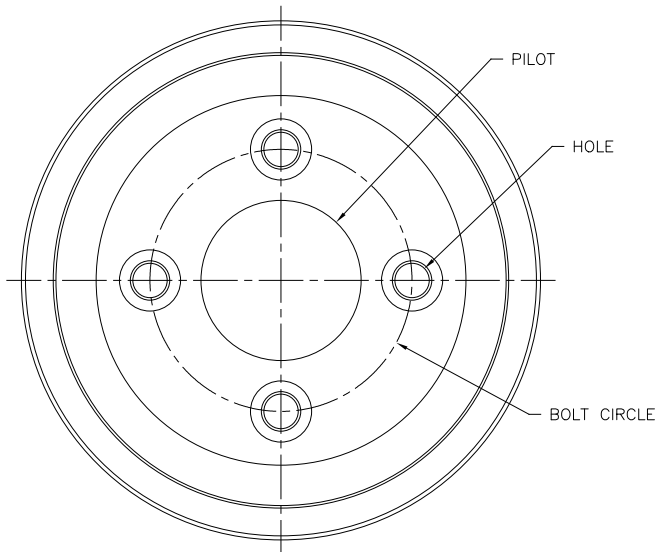


MODEL 2000 LB

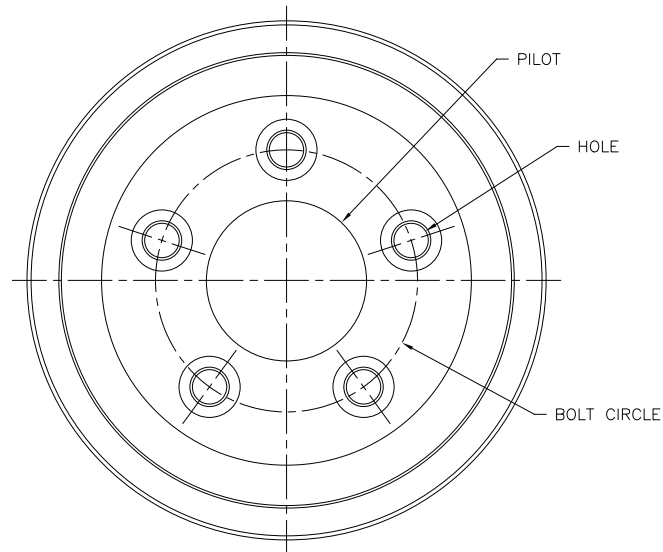
4 studs
Seal 1" double lips (1.219"x1.983")
Seal (1.5" x 1.987")
Roller bearing cone LM-44643
Roller bearing cup LM-44610
Wheel stud 1/2"-20" reliable
Dust cap 1.99"
Bolt 1/2"-20" head 13/16"
Hub face 5 1/2"
Pilot 4"

MODEL 2500 LB

5 studs
Seal 1" double lips (1.219"x1.983")
Seal (1.5" x 1.987")
Roller bearing cone LM-44643
Roller bearing cup LM-44610
Wheel stud 1/2"-20" reliable
Dust cap 1.99"
Bolt 1/2"-20" head 13/16"
Hub face 5 1/2"
Pilot 4 1/2"



"P4"  
4 HOLES PATTERN



"P5"  
5 HOLES PATTERN

# COMPLETE HUB KITS

