

JACKS

- Several finishes available to assure increased corrosion protection
- Ergonomic handles specially designed for easier leveling
- Wide variety of dimensions, capacities and designs to meet your special needs
- Years of proven reliability



TABLE OF CONTENTS

JACKS

Top-wind jacks	450
Side-wind jacks	453
Hydraulic jacks	455
Heavy-duty jacks	455

SLEEVES

CNXL/CNXS-ACCSL	458
CNXD-ACCSL	458
CNXE/CNXF-ACCFL	459
CNXACC-CLMB	459

COATING OPTIONS

Electrostatic powder	462
Zinc plating	462
Dacromet	462

JACKS

- Selection of finishes
 - Electrostatic powder
 - Zinc plating
 - Dacromet
- Side or top grip handles
- Static capacity
- Dynamic capacity
- Equipped with one wheel on the ground, square or cylindrical tube
- Adjustable foot

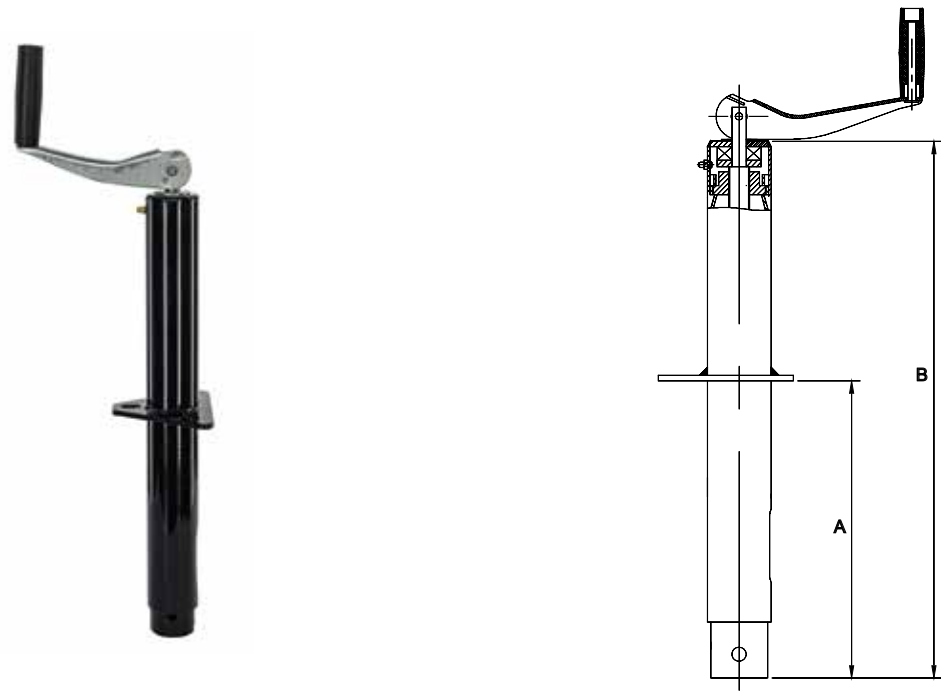


JACKS

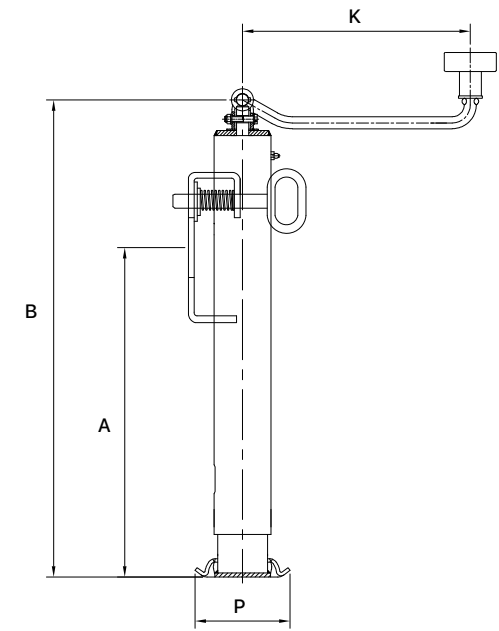
TOP-WIND JACKS

Series	Model	Dynamic capacity	Static capacity	Stroke	A	B	P	K	Canimex part no.
		kg	kg		mm	mm	mm	mm	
CNXT	CNXT-2-15	544	907	380	203	560	-	150	175997
CNXF	CNXF-2-10	544	907	254	254	420	120x165	168	129188
	CNXF-2-15	544	907	380	380	535	120x140	168	129190
CNXS	CNXS-2-10	544	907	254	276	369.5	95x185	172	207093
	CNXS-2-15	907	2268	380	401	501	95x185	172	215357
	CNXS-5-10	1360	2268	254	281	380	95x185	172	200746
	CNXS-5-15	1360	2268	380	411	511	95x185	172	196781
	CNXS-7-10	1360	3175	254	286	386	150x202	172	198132
	CNXS-7-15	1360	3175	380	416	516	95x185	225	198133

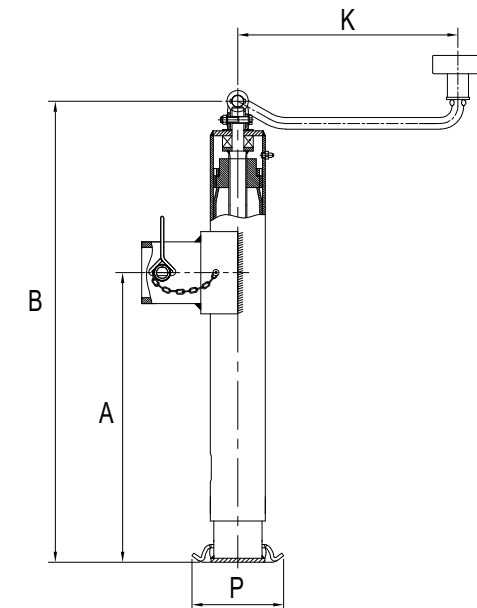
CNXT SERIES



CNXF SERIES



CNXS SERIES

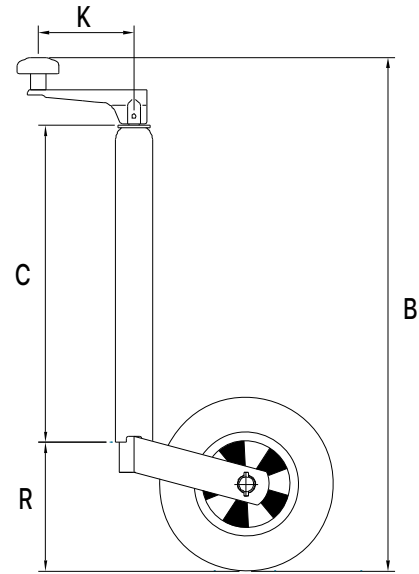


JACKS

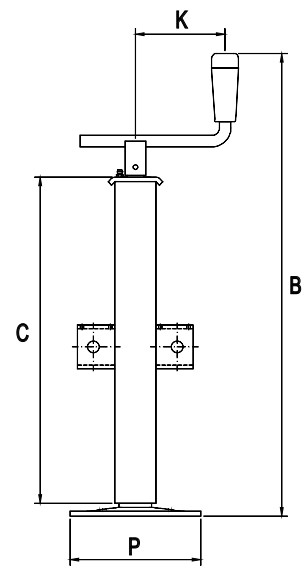
TOP-WIND JACKS

Series	Model	Static capacity	Stroke	Wheels (rubber)	Outer tube	R	C	B	K	P	Canimex part no.
		kg	mm	mm	mm	mm	mm	mm	mm	mm	
CNXC	CNXC-0.2-7.5	100	190	200 x 50	48	150	350	575	110	---	114724
CNXP	CNXP-2.5-12	1200	300	---	80	---	500	675	185	220	153845

CNXC SERIES



CNXP SERIES

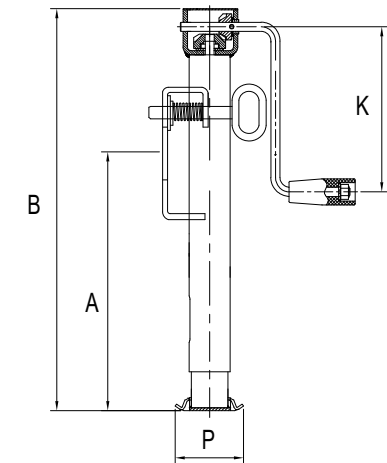


JACKS

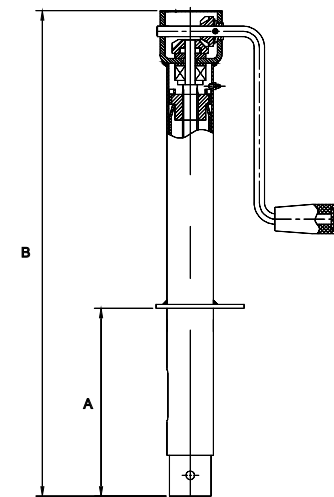
SIDE-WIND JACKS

Series	Model	Dynamic capacity	Static capacity	Stroke	A	B	P	K	Canimex part no.
		kg	kg	mm	mm	mm	mm	mm	
CNXT	CNXT-5-15	1360	2268	380	250	490	---	155	197636
CNXE	CNXE-2-10	544	907	250	245	430	120x165	175	114772
	CNXE-2-15	544	907	380	370	555	120x165	175	129189
CNXL	CNXL-2-10	544	907	250	283	439	---	150	196780
	CNXL-2-15	544	907	380	420	580	---	150	196782
	CNXL-5-10	1360	2268	250	300	468	95x185	190	196783
	CNXL-5-15	1360	2268	380	415	515	95x185	190	197589
	CNXL-6-10	1633	2722	250	280	430	120/165	210	114775
	CNXL-6-15	1633	2722	380	395	485	95/185	210	207092

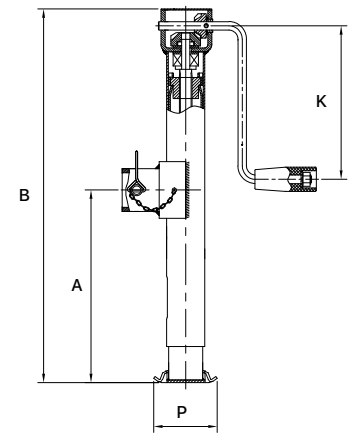
CNXE SERIES



CNXT SERIES



CNXL SERIES

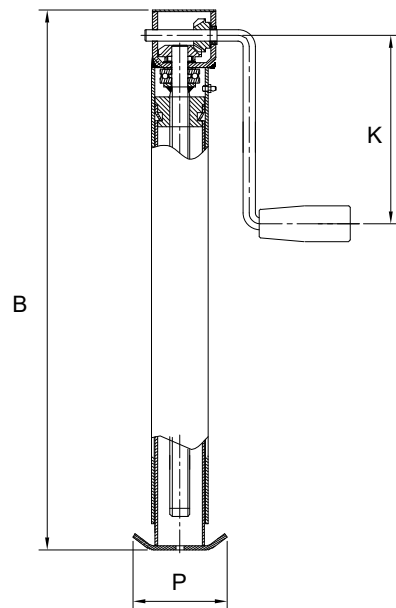
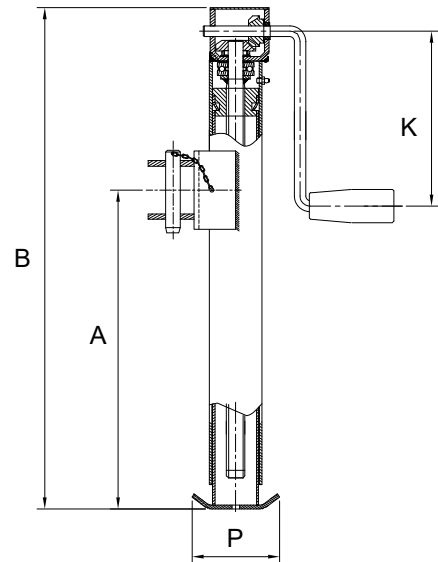


JACKS

SIDE-WIND JACKS

Series	Model	Dynamic capacity	Static capacity	Stroke	A	B	P	K	Canimex part no.
		kg	kg	mm	mm	mm	mm	mm	
CNXD	CNXD-5-15	1360	2268	380	384	484	95x185	190	194205
	CNXD-6.5-10	---	2948	254	387	560	120x165	167	179916
	CNXD-6-17	2268	2722	432+305	387	540	150x200	230	216809
	CNXD-9-12	---	4000	300	397	620	220	225	141637
	CNXD-9-15	---	4000	400	305	700	---	225	114744
	CNXD-8-15	3175	3628	380+305	285	590	150x200	230	213750

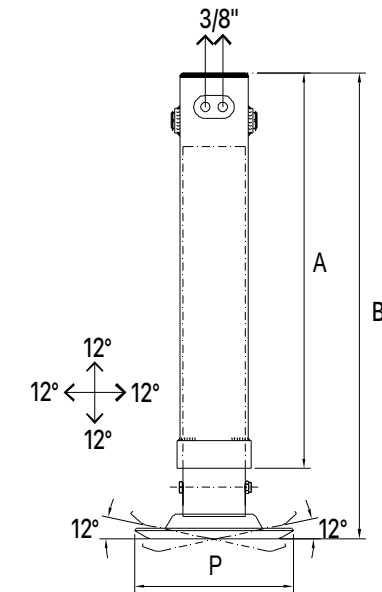
*CNXD series are available in both top-wind and side-wind configurations



JACKS

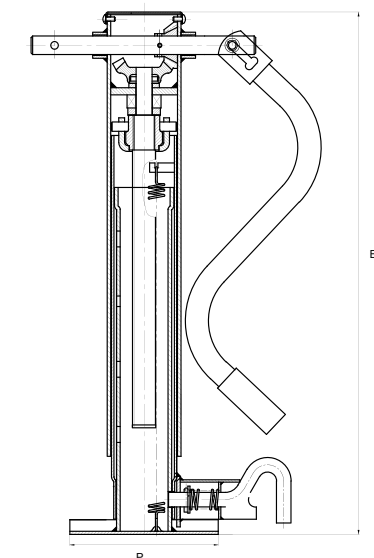
HYDRAULIC JACKS

Series	Model	Static capacity	Stroke	Outer tube	A	B	P	Canimex part no.
		kg	mm	mm	mm	mm	mm	
CNXH	CNXH-8-15	3800	400	110	635	850	250	149198



HEAVY-DUTY JACKS

Series	Model	Dynamic capacity	Static capacity	Stroke	B	P	Canimex part no.
		kg	kg	mm	mm	mm	
CNXK	CNXK-10-13.5	4536	5443	318 + 340	700	204	196250



SLEEVES

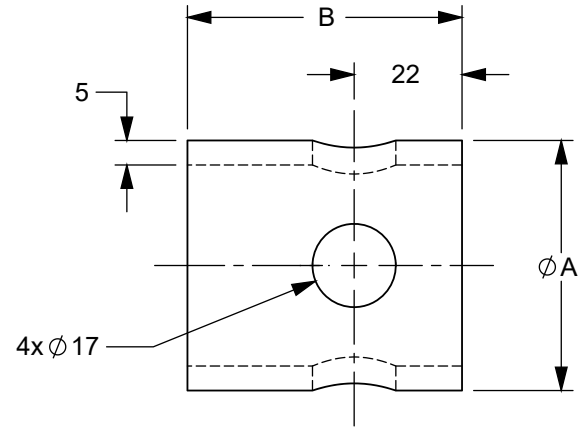
- Round
- Square
- Locking options



SLEEVES

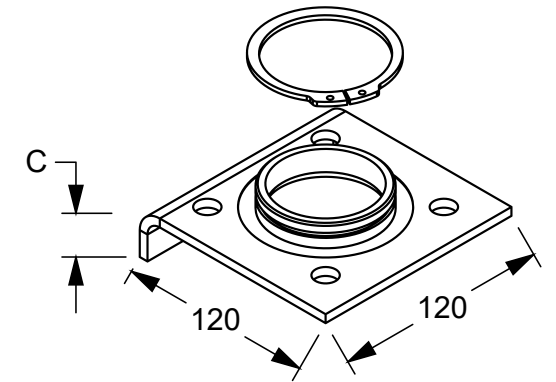
CNXL/CNXS-ACCSL

Series	Model	A	B	Canimex part no.
		mm	mm	
CNXL/CNXS-ACCSL	CNXL-ACCSL-5156	51	56	213379



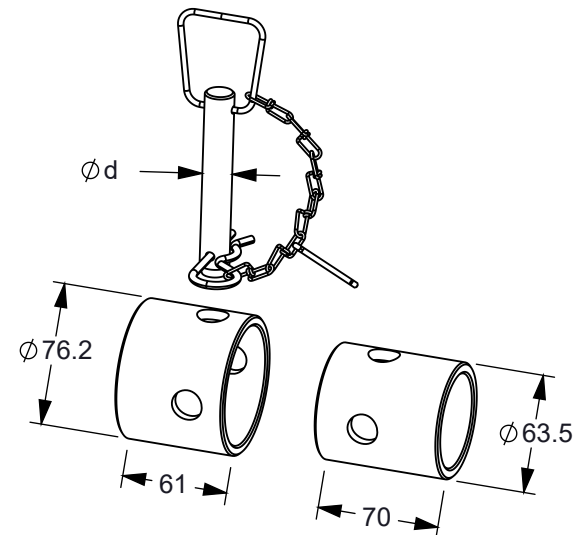
CNXE/CNXF-ACCFL

Series	Model	A	B	C	Canimex part no.
		mm	mm	mm	
CNXE/CNXF-ACCFL	CNXF-ACCFL-11212726	112	127	26	180188
	CNXE/CNXF-ACCFL-12012028	120	120	28	114701



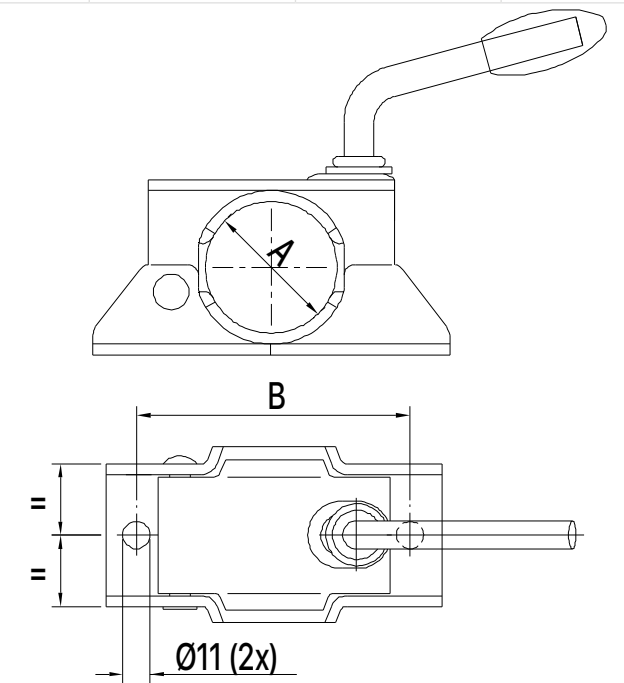
CNXD-ACCSL

Series	Model	A	B	C	D	d	Canimex part no.
						mm	
CNXD-ACCSL	CNXD-ACCSL-KIT-617019	61	70	76	63	16	114737
	CNXD-ACCSL-IN-706317	--	70	--	63	17	114738
	CNXD-ACCSL-OUT-617617	61	--	76	--	17	114739
	CNXD-ACCSL-PC-706317	--	70	--	63	17	156695



CNXACC-CLMB

Series	Model	A	B	Canimex part no.
		mm	mm	
CNXACC-CLMB	CNXACC-CLMB-48-105	48	105	114726



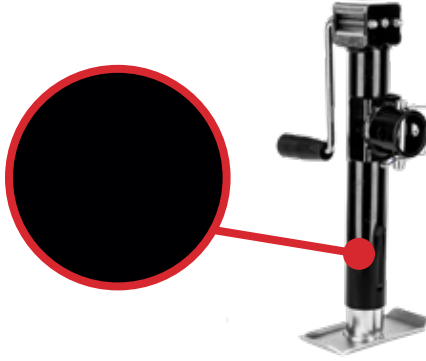
COATING OPTIONS

- Electrostatic powder
- Zinc plating
- Dacromet




COATING OPTIONS

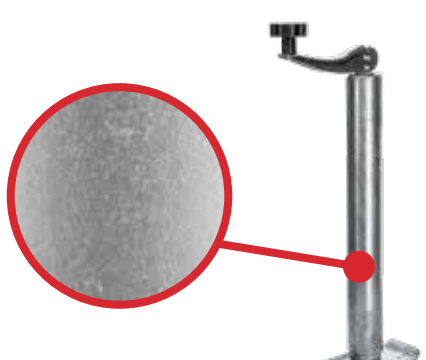
ELECTROSTATIC POWDER

<p>ADVANTAGE:</p> <ul style="list-style-type: none"> • More refined finish 	<p>A black electrostatic powder coat finish with a zinc-plated foot and handle</p>	
<p>DISADVANTAGE:</p> <ul style="list-style-type: none"> • More expensive 		

ZINC PLATING

<p>ADVANTAGE:</p> <ul style="list-style-type: none"> • Better corrosion resistance than paint • More affordable 	<p>A complete zinc-plated finish</p>	
<p>DISADVANTAGE:</p> <ul style="list-style-type: none"> • Less refined finish 		

DACROMET

<p>ADVANTAGE:</p> <ul style="list-style-type: none"> • Excellent corrosion protection 	<p>A finish similar to paint</p>	
<p>DISADVANTAGE:</p> <ul style="list-style-type: none"> • More fragile finish • More expensive • Larger amount needed compared to other finishes 		



CONTRIBUTING TO PEOPLE'S QUALITY OF LIFE, EVERY DAY.

