

ACTUATORS

- Available in a multitude of different lengths, as well as lifting/pulling capabilities
- Wide selection of controls and accessories
- Ball screws available
- Medical quality actuator available
- Tailor-made harness

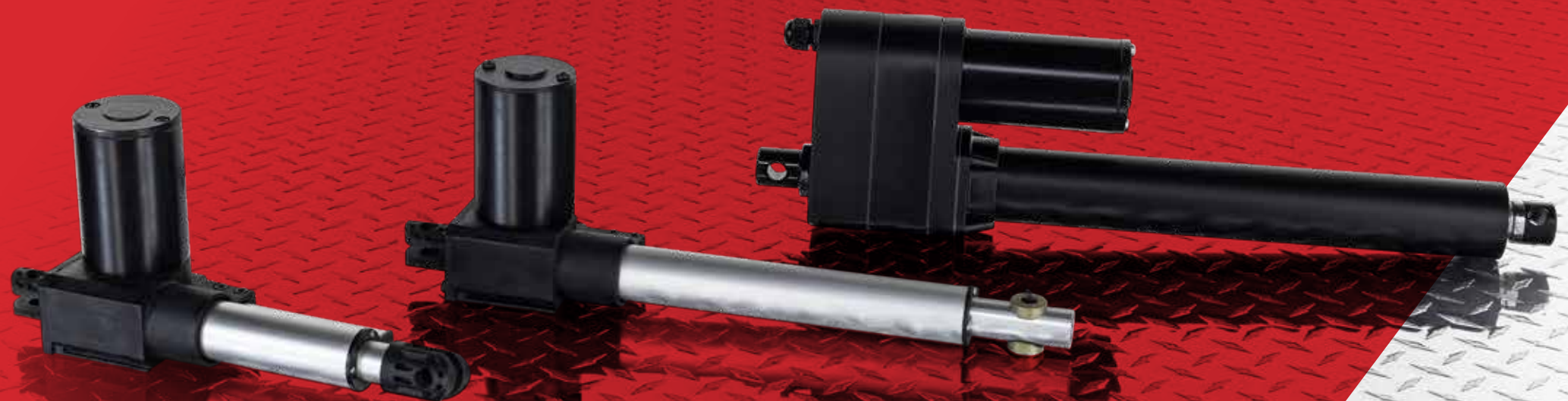


TABLE OF CONTENTS

AC LINEAR ACTUATORS

SJ 25, 35, 45 series	412
Different mounting options available	413

DC LINEAR ACTUATORS

Specifications	418
----------------------	-----

DC ROTARY ACTUATORS

Specifications	422
----------------------	-----

ACTUATORS

DESCRIPTION

LINEAR ACTUATOR

Self-locking AC actuator with 17% duty cycle, integrated limit switches, and thermal-protected motor.



Linear actuator in standard 115 VAC and 230 VAC. 12 VDC and 24 VDC actuators can be medical grade. All are low voltage, corrosion resistant and lubricated for service life.



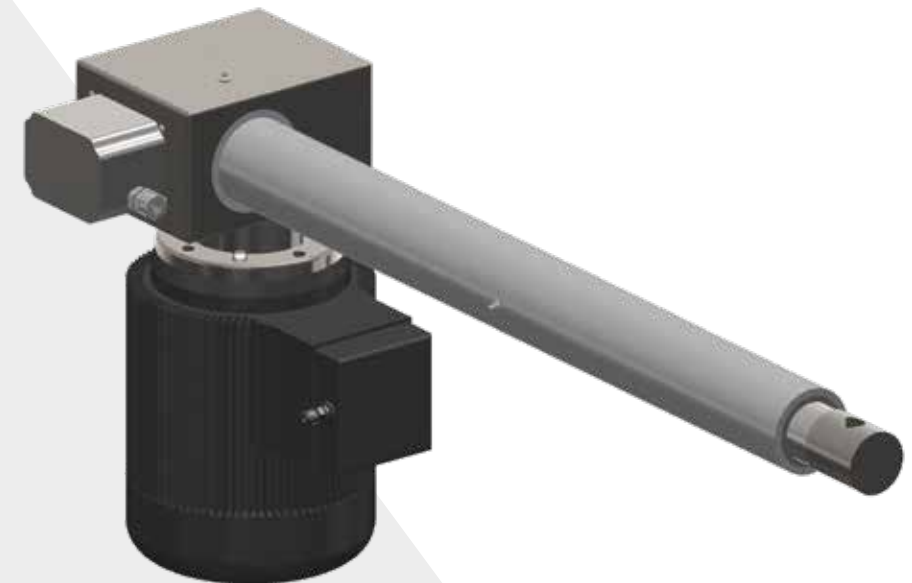
ROTARY ACTUATOR DC

Developed for auxiliary motor throttle control, these actuators produce low noise and vibration levels. Various models available to meet different requirements according to engine type, speed or torque.



AC LINEAR ACTUATORS

- Self-locking
- Integrated limit switch
- Thermal protection
- Metal gearbox



AC LINEAR ACTUATORS

SJ 25, 35, 45 SERIES

FEATURES/BENEFITS

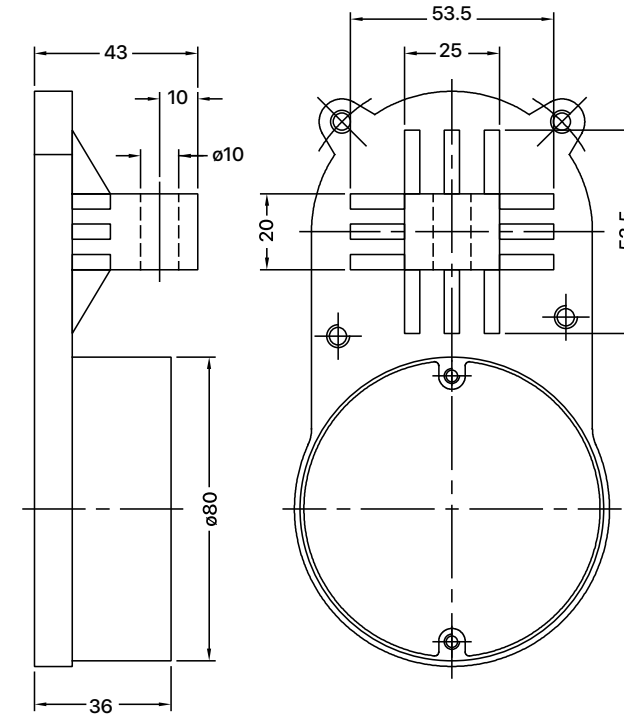
- Motor with thermal protection (+120 ±5°C)
- Acme screw
- Self-locking
- Integrated limit switches
- Gearbox (metal)
- Potentiometer



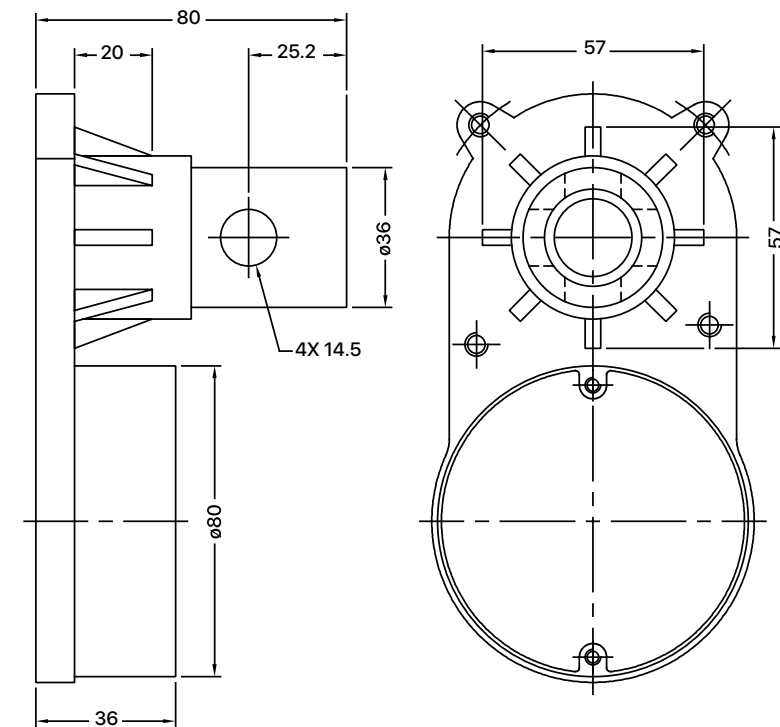
Model	Max. force	Max. speed		Stroke (S) mm	Voltage VAC	Protection class IP	Weight kg
	Push/pull N	No load mm/s	Full load mm/s				
LA-AC-1	2000	7.2	6.6	100-600	115/230	N/A	4.0
LA-AC-2	2500	6.0	5.5	100-600	115/230	N/A	4.0
LA-AC-3	3000	4.5	4.0	100-600	115/230	N/A	4.0
LA-AC-4	3000	7.2	6.6	100-600	115/230	N/A	4.5
LA-AC-5	3500	6.0	5.5	100-600	115/230	N/A	4.5
LA-AC-6	4000	4.5	4.0	100-600	115/230	N/A	4.5
LA-AC-7	4000	7.2	6.6	100-600	115/230	N/A	5.0
LA-AC-8	4500	6.0	5.5	100-600	115/230	N/A	5.0
LA-AC-9	5000	4.5	4.0	100-600	115/230	N/A	5.0
LA-AC-10	2300	57	46	100-600	110/230	51	9.0
LA-AC-11	4500	29	25	100-600	110/230	51	9.0
LA-AC-12	6000	15	12	100-600	110/230	51	9.0

AC LINEAR ACTUATORS

DIFFERENT MOUNTING OPTIONS AVAILABLE



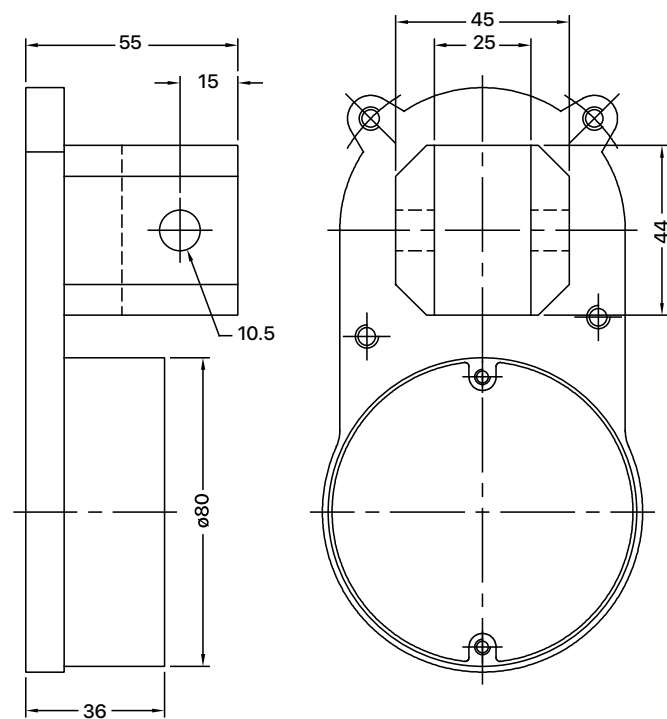
O1 MOUNTING



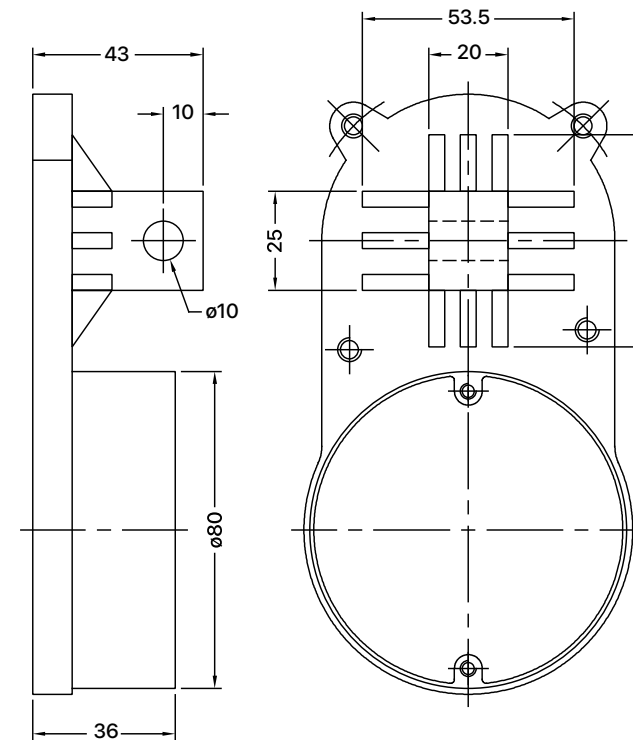
O2 MOUNTING

AC LINEAR ACTUATORS

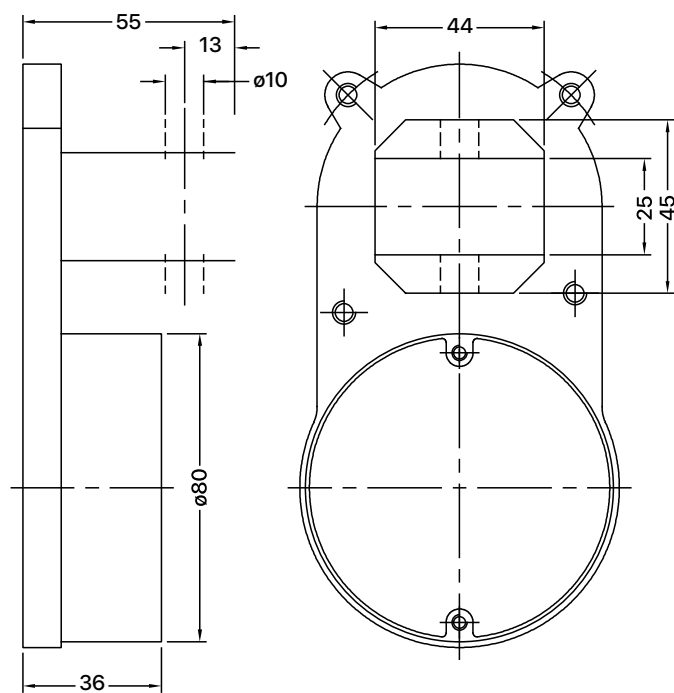
DIFFERENT MOUNTING OPTIONS AVAILABLE



03 MOUNTING



05 MOUNTING



04 MOUNTING

DC LINEAR ACTUATORS

- Dynamic protection against overloads
- Self-locking brake
- Thermal protection
- Potentiometer
- Integrated limit switch
- Protection rating: up to IP66
- Service cycle: 10 to 25%



DC LINEAR ACTUATOR

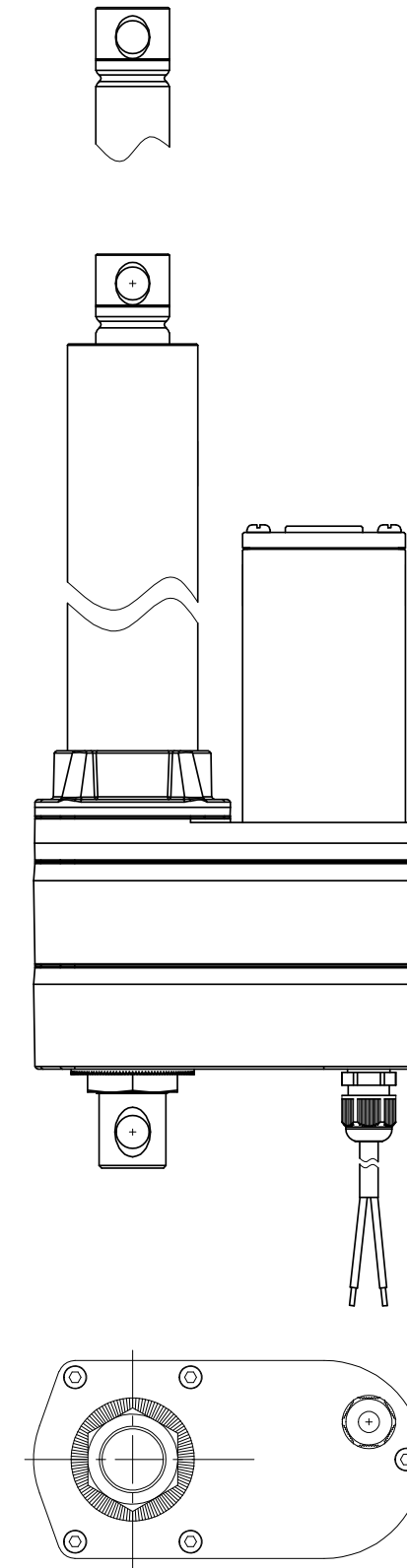
SPECIFICATIONS

FEATURES/BENEFITS

- Acme screw
- Self locking
- Integrated limit switches
- Gearbox (metal)
- Potentiometer
- Protection rating : up to IP66



Model CNX	Max. force N		Max. speed		Stroke (S) mm	Voltage VDC	Protection class IP	Weight kg	Features
	Push	Pull	No load mm/s	Full load mm/s					
LA-DC-1	2000	0	10.5	6.0	100-400	12	66	3.5	EN 60601-1
LA-DC-2	3000	0	6.7	3.7	100-400	24	66	3.5	EN 60601-1
LA-DC-3	2000	0	13	6.4	100-400	24	66	3.5	EN 60601-1
LA-DC-4	1200	0	25	13.4	100-400	24	66	3.5	EN 60601-1
LA-DC-5	1000	0	32	20	100-400	24	66	3.5	EN 60601-1
LA-DC-6	3000	0	8.5	5.0	100-400	24	66	3.5	EN 60601-1
LA-DC-7	3000	0	5.0	3.0	100-400	24	66	3.5	EN 60601-1
LA-DC-8	6000	4000	4.2	2.6	50-300	24	52	2.5	Silent operation
LA-DC-9	3000	2000	8.2	6.2	50-300	24	52	2.5	Silent operation
LA-DC-10	3000	0	6.7	3.7	100-400	24	51	2.5	Silent operation
LA-DC-11	2000	0	13	6.4	100-400	24	51	2.5	Silent operation
LA-DC-12	1200	0	25	13.4	100-400	24	51	2.5	Silent operation
LA-DC-13	1000	0	32	20	100-400	24	51	2.5	Silent operation
LA-DC-14	3000	0	8.5	5.0	100-400	24	51	2.5	Silent operation
LA-DC-15	3000	0	5.0	3.0	100-400	24	51	2.5	Silent operation
LA-DC-16	4000	0	7	5	100-400	24	51	3.5	Universal use
LA-DC-17	2000	0	13	11	100-400	24	51	3.5	Universal use
LA-DC-18	800	800	10.5	7.0	100-300	24	N/A	2.0	Compact
LA-DC-19	500	500	20	15	100-300	24	N/A	2.0	Compact
LA-DC-20	120	120	57	45	50-300	12/24	53/65	1.5	Silent operation
LA-DC-21	240	240	30	24	50-300	12/24	53/65	1.5	Silent operation
LA-DC-22	500	500	17	13	50-300	12/24	53/65	1.5	Silent operation
LA-DC-23	750	750	10	9	50-300	12/24	53/65	1.5	Silent operation
LA-DC-24	1000	1000	8	6	50-300	12/24	53/65	1.5	Silent operation
LA-DC-25	1500	1500	38	25	100-600	12/24	52/65	6.0	Robust
LA-DC-26	2500	2500	20	13	100-600	12/24	52/65	6.0	Robust
LA-DC-27	2300	2300	65	45	100-600	12/24	52/65	6.5	Robust
LA-DC-28	3500	3500	36	22	100-600	12/24	52/65	6.5	Robust
LA-DC-29	4500	4500	22	13	100-600	12/24	52/65	6.5	Robust
LA-DC-30	1500	1500	29	25	100-600	12/24	51	8.5	Robust
LA-DC-31	2300	2300	16	14	100-600	12/24	51	8.5	Robust



DC ROTARY ACTUATORS

- Low noise level
- Low vibration level
- Waterproof
- 12V operation for all models
- Up to 80°C temperature range



DC ROTARY ACTUATOR

SPECIFICATIONS

FEATURES/BENEFITS

- Power: 1/14 up to 1/4 W
- Voltage: 12 V
- Rotation: 360°, CW, CCW
- Waterproof
- 4-hole resilient mount for stronger installation
- Continuous duty cycle (51)
- Operating temperature range:
-40°F up to 175°F (-40°C up to 80°C)



Model	Mechanical power	Rated voltage	Nominal torque	Nominal speed	Back stop	Connections	Canimex part no.
	Watts	DC volt	lb-in	rpm			
RA-DC-1	1/14	12	4	1.5	Stopper	2 x 20 AWG wires	174056
RA-DC-2	1/12	12	2.5	2.9	---	2 x 20 AWG wires	168850
RA-DC-3	1/8	12	4	1.5	---	2 x 20 AWG wires	163473
RA-DC-4	1/8	12	4	2.9	Stopper	2 x 20 AWG wires	167008
RA-DC-5	1/4	12	15	1.5	---	2 x 20 AWG wires	163816
RA-DC-6	1/4	12	15	1.5	Stopper	2 x 20 AWG wires	166703

