

PULLEYS

- High performance
- Precision quality
- 1 to 8 grooves
- Outside diameter of up to 25.35"
- Interchangeable with MA type



TABLE OF CONTENTS

CAST IRON PULLEYS

AK series	298
2AK series	300
BK series	302
2BK series	304
3BK serie	306
AKH series	308
2AKH series	310
BKH series	312
2BKH series	314
3BKH series	316

A/B COMBINATION PULLEYS

1 groove	321
2 grooves	322
3 grooves	323
4 grooves	324
5 grooves	325
6 grooves	326
7 grooves	327
8 grooves	328

TIMING PULLEYS

Timing pulleys	332
QD bushing	336

QD BUSHING PROPER TORQUE WRENCH

QD weld-on hubs	340
-----------------------	-----

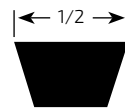
CAST IRON PULLEYS

- Rustproof
- Corrosion resistant
- Lightweight
- 1 to 3 grooves
- Outside diameter of up to 18.75"



CAST IRON PULLEYS

AK SERIES



Single groove pulleys for "4L" or "A" belts. "3L" belts may be used with these pulleys as indicated below.

Part no.	Diameters (in)			Type	Dimensions (in)				Weight lb	Interchange*
	O.D.	D.D.	Pitch "3L"		F	L	P	C		
AK17 Δ	1.75	1.5	1.16	1	21/32	15/16	7/16	5/32	0.2	MA18
AK20 Δ	2	1.8	1.46	1	21/32	15/16	7/16	5/32	0.3	MA20
AK21 Δ	2.1	1.9	1.56	1	21/32	15/16	7/16	5/32	0.4	MA21
AK22 Δ	2.2	2	1.66	1	21/32	15/16	7/16	5/32	0.5	MA22
AK23 Δ	2.3	2.1	1.76	1	21/32	15/16	7/16	5/32	0.5	MA23
AK25 Δ	2.5	2.3	1.96	2	21/32	15/16	7/16	5/32	0.5	MA25
AK26 Δ	2.6	2.4	2.06	2	21/32	15/16	7/16	5/32	0.5	MA26
AK27 Δ	2.7	2.5	2.16	2	21/32	15/16	7/16	5/32	0.6	MA27
AK28 Δ	2.8	2.6	2.26	2	21/32	15/16	7/16	5/32	0.7	MA28
AK30 Δ	3.05	2.8	2.46	2	21/32	15/16	7/16	5/32	0.7	MA30
AK32 Δ	3.25	3	2.66	2	21/32	15/16	7/16	5/32	0.7	MA33
AK34 Δ	3.45	3.2	2.86	2	21/32	15/16	7/16	5/32	0.9	MA35
AK39	3.75	3.5	3.16	2	3/4	15/32	15/32	1/16	1.4	MA38
AK41	3.95	3.7	3.36	2	3/4	15/32	15/32	1/16	1.5	MA40
AK44	4.25	4	3.66	3	3/4	15/32	15/32	1/16	1.5	MA43
AK46	4.45	4.2	3.86	3	3/4	15/32	15/32	1/16	1.5	MA45
AK49	4.75	4.5	4.16	3	3/4	15/32	15/32	1/16	1.7	MA48
AK51	4.95	4.7	4.36	3	3/4	15/32	15/32	1/16	1.7	MA50
AK54	5.25	5	4.66	3	3/4	15/32	15/32	1/16	1.8	MA53
AK56	5.45	5.2	4.86	3	3/4	15/32	15/32	1/16	1.9	MA55
AK59	5.75	5.5	5.16	3	3/4	15/32	15/32	1/16	2	MA58
AK61	5.95	5.7	5.36	3	3/4	15/32	15/32	1/16	2.1	MA60
AK64	6.25	6	5.66	3	3/4	15/32	15/32	1/16	2.2	MA63
AK66	6.45	6.2	5.86	3	3/4	15/32	15/32	1/16	2.3	MA65
AK69	6.75	6.5	6.16	3	3/4	115/32	23/32	0	3.5	MA68
AK71	6.95	6.7	6.36	3	3/4	115/32	23/32	0	3.8	MA70
AK74 Δ	7.25	7	6.66	3	3/4	115/32	23/32 ◊	0 ◊	3.4	MA73
AK79 Δ	7.75	7.5	7.16	3	3/4	115/32	23/32	0	4	MA78
AK84 Δ	8.25	8	7.66	3	3/4	115/32	23/32 ◊	0 ◊	3.8	MA83
AK89 Δ	8.75	8.5	8.16	3	3/4	115/32	23/32	0	4.3	MA88
AK94 Δ	9.25	9	8.66	3	3/4	115/32	23/32 ◊	0 ◊	4.5	MA93
AK99 Δ	9.75	9.5	9.16	3	3/4	115/32	23/32	0	5.3	MA98
AK104 Δ	10.25	10	9.66	3	3/4	115/32	23/32 ◊	0 ◊	5.1	MA103
AK109 Δ	10.75	10.5	10.16	3	3/4	115/32	23/32	0	5.8	MA108
AK114 Δ	11.25	11	10.66	3	3/4	115/32	23/32 ◊	0 ◊	5.6	MA113
-----	12	11.75	11.410	3	3/4	115/32	23/32 ◊	0	7.5	MA120
AK124 Δ	12.25	12	11.66	3	3/4	115/32	23/32 ◊	0 ◊	6.5	MA123
AK134	13.25	13	12.66	3	3/4	115/32	23/32	0	7.5	MA133
AK144	14.25	14	13.66	3	3/4	115/32	23/32	0	8.5	MA143
AK154	15.25	15	14.66	3	3/4	115/32	23/32	0	9.8	MA153
AK184	18.25	18	17.66	3	3/4	115/32	23/32	0	12.1	MA183

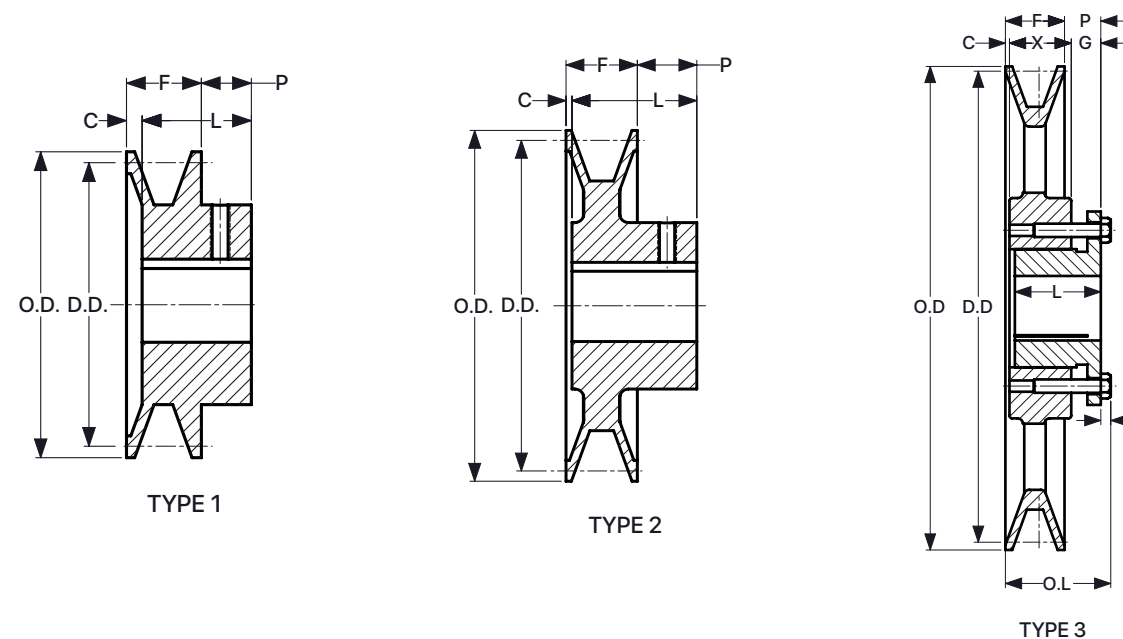
Δ Do not use with bores of 1" and under with gripnotch belt ratings.

◊ P= 25/32 & C= 1/16 for bore of 1" and smaller

*The interchange numbers match the interchange for the datum diameter. The other physical measurements can differ between the models AK and MA.

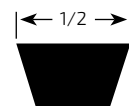
Standard keyseat	
Bore range (in)	Keyseat (in)
1/2	None
5/8 - 7/8	3/16 x 3/32
15/16 - 1 1/4	1/4 x 1/8
1 7/16	3/8 x 3/16

See Bushings section for set screw specifications.



CAST IRON PULLEYS

2AK SERIES



Double groove pulleys for "4L" or "A" belts. "3L" belts may be used as indicated below.

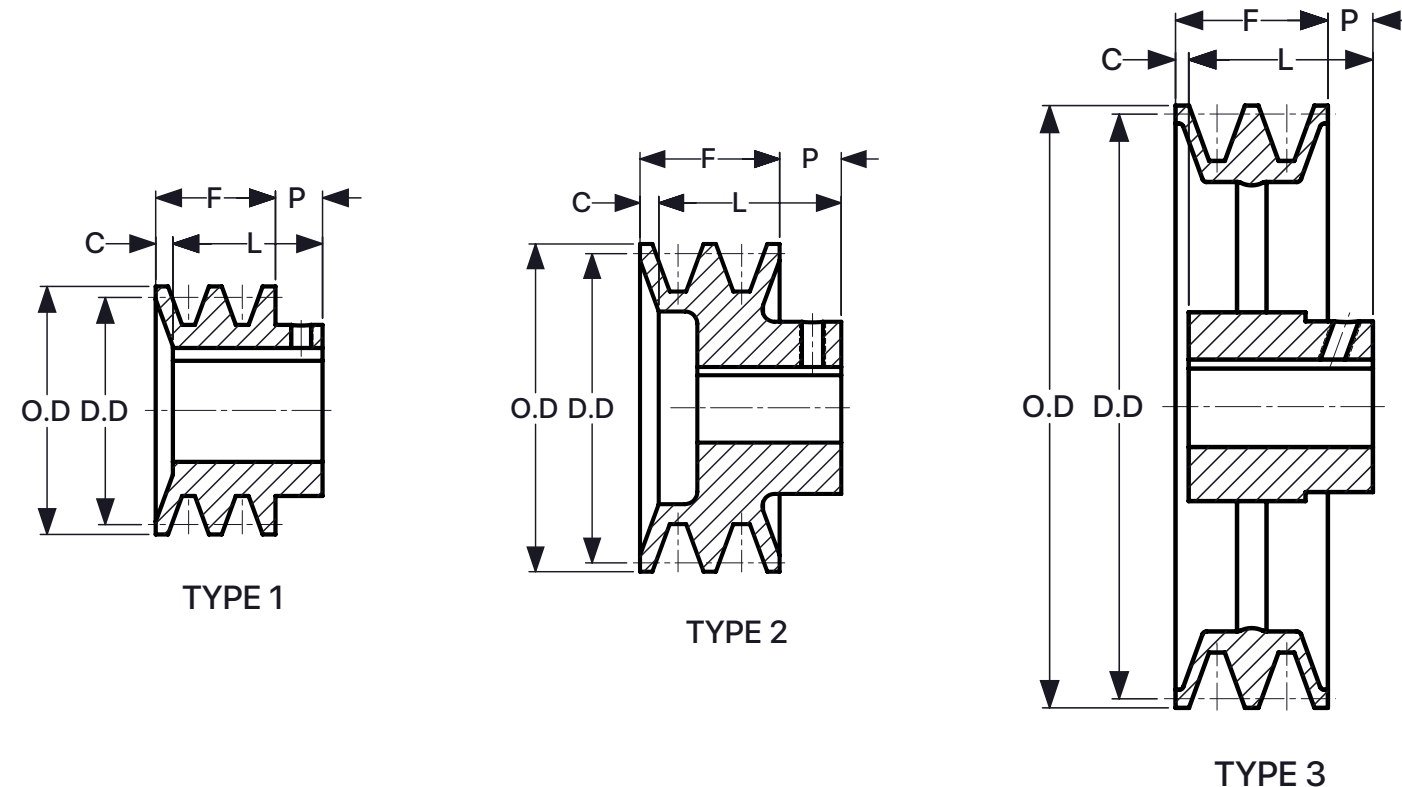
Part no.	Diameters (in)			Type	Dimensions (in)				Weight lb	Interchange*
	O.D.	D.D.	Pitch "3L"		F	L	P	C		
2AK20	2	1.8	1.46	1	13/8	1 21/32	15/32	3/16	0.8	2MA20
2AK21	2.15	1.9	1.56	1	13/8	1 21/32	15/32	3/16	0.9	2MA22
2AK22	2.25	2	1.66	1	13/8	1 21/32	15/32	3/16	0.9	2MA23
2AK23	2.35	2.1	1.76	1	13/8	1 21/32	15/32	3/16	1.1	2MA24
2AK25	2.55	2.3	1.96	1	13/8	1 21/32	15/32	3/16	1.3	2MA25
2AK26	2.65	2.4	2.06	1	13/8	1 21/32	15/32	3/16	1.4	2MA27
2AK27	2.75	2.5	2.16	1	13/8	1 21/32	15/32	3/16	1.5	2MA28
2AK28	2.85	2.6	2.26	1	13/8	1 21/32	15/32	3/16	1.8	2MA29
2AK30	3.05	2.8	2.46	1	13/8	1 21/32	15/32	3/16	1.8	2MA30
2AK32	3.25	3	2.66	1	13/8	1 21/32	15/32	3/16	2.1	2MA33
2AK34	3.45	3.2	2.86	1	13/8	1 21/32	15/32	3/16	2.3	2MA35
2AK39	3.75	3.5	3.16	2	13/8	1 11/32	15/32	1/2	2.6	2MA38
2AK41	3.95	3.7	3.36	2	13/8	1 11/32	15/32	1/2	2.9	2MA40
2AK44	4.25	4	3.66	2	13/8	1 11/32	15/32	1/2	3	2MA43
2AK46	4.45	4.2	3.86	2	13/8	1 11/32	15/32	1/2	3.1	2MA45
2AK49	4.75	4.5	4.16	2	13/8	1 11/32	15/32	1/2	3.6	2MA48
2AK51	4.95	4.7	4.36	2	13/8	1 11/32	15/32	1/2	3.8	2MA50
2AK54	5.25	5	4.66	3	13/8	1 11/32	15/32	1/2	3.3	2MA53
2AK56	5.45	5.2	4.86	3	13/8	1 11/32	15/32	1/2	3.4	2MA55
2AK59	5.75	5.5	5.16	3	13/8	1 11/32	15/32	1/2	3.5	2MA58
2AK61	5.95	5.7	5.36	3	13/8	1 11/32	15/32	1/2	3.6	2MA60
2AK64	6.25	6	5.66	3	13/8	1 19/32	11/32	1/8	4.8	2MA63
2AK74	7.25	7	6.66	3	13/8	1 19/32	11/32	1/8	5.6	2MA73
2AK84	8.25	8	7.66	3	13/8	1 19/32	11/32	1/8	6.4	2MA83
2AK94	9.25	9	8.66	3	13/8	1 19/32	11/32	1/8	7.3	2MA93
2AK104	10.25	10	9.66	3	13/8	1 19/32	11/32	1/8	8.1	2MA103
2AK114	11.25	11	10.66	3	13/8	1 19/32	11/32	1/8	9	2MA113
2AK124	12.25	12	11.66	3	13/8	1 19/32	11/32	1/8	9.8	2MA123
2AK134	13.25	13	12.66	3	13/8	1 19/32	11/32	1/8	12.3	2MA133
2AK144	14.25	14	13.66	3	13/8	1 19/32	11/32	1/8	13.9	2MA143
2AK154	15.25	15	14.66	3	13/8	1 19/32	11/32	1/8	14.3	2MA153
2AK184	18.25	18	17.66	3	13/8	1 19/32	11/32	1/8	17.4	2MA183

H Type bushing required with all these pulleys (see Bushings section for specifications)

*The interchange numbers match the interchange for the datum diameter.
The other physical measurements can differ between the models AK and MA.

Standard keyseat	
Bore range (in)	Keyseat (in)
1/2	None
5/8 - 7/8	3/16 x 3/32
15/16 - 1 1/4	1/4 x 1/8
1 7/16	3/8 x 3/16

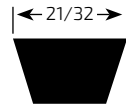
See Bushings section for set screw specifications.



CAST IRON PULLEYS

BK SERIES

Single groove pulleys for "4L" or "A" belts and "5L" or "B" belts.



Part no.	Diameters (in)			Type	Dimensions (in)				Weight lb	Interchange*
	O.D.	D.D.	Pitch "3L"		F	L	P	C		
BK25 Δ	2.50	1.90	2.30	1	13/16	11/16	13/32	5/32	0.5	MB25
BK26 Δ	2.60	2.00	2.40	1	13/16	11/16	13/32	5/32	0.6	MB26
BK27 Δ	2.70	2.10	2.50	2	13/16	11/16	13/32	5/32	0.6	MB28
BK28 Δ	2.95	2.20	2.60	2	13/16	11/16	13/32	5/32	0.8	MB30
BK30 Δ	3.15	2.40	2.80	2	13/16	11/16	13/32	5/32	0.8	MB31
BK32 Δ	3.35	2.60	3.00	2	13/16	11/16	13/32	5/32	0.8	MB34
BK34	3.55	2.80	3.20	2	7/8	15/32	13/32	1/8	1.3	MB35
BK36	3.75	3.00	3.40	2	7/8	15/32	13/32	1/8	1.5	MB38
BK40	3.95	3.20	3.60	2	7/8	15/32	13/32	1/8	1.5	MB40
BK45	4.25	3.50	3.90	2	7/8	15/32	13/32	1/8	1.8	MB43
BK47	4.45	3.70	4.10	2	7/8	15/32	13/32	1/8	1.9	MB45
BK50	4.75	4.00	4.40	3	7/8	15/32	13/32	1/8	2.0	MB48
BK52	4.95	4.20	4.60	3	7/8	15/32	13/32	1/8	2.0	MB50
BK55	5.25	4.50	4.90	3	7/8	15/32	13/32	1/8	2.2	MB53
BK57	5.45	4.70	5.10	3	7/8	15/32	13/32	1/8	2.3	MB55
BK60	5.75	5.00	5.40	3	7/8	15/32	13/32	1/8	2.3	MB58
BK62	5.95	5.20	5.60	3	7/8	15/32	13/32	1/8	2.4	MB60
BK65	6.25	5.50	5.90	3	7/8	15/32	13/32	1/8	2.7	MB63
BK67	6.45	5.70	6.10	3	7/8	15/32	13/32	1/8	2.8	MB65
BK70	6.75	6.00	6.40	3	7/8	15/32	21/32	1/16 ◇	3.3	MB68
BK72	6.95	6.20	6.60	3	7/8	15/32	21/32	1/16	3.9	MB70
BK75	7.25	6.50	6.90	3	7/8	15/32	21/32	1/16	3.9	MB73
BK77	7.45	6.70	7.10	3	7/8	15/32	21/32	1/16	4.1	MB75
BK80	7.75	7.00	7.40	3	7/8	15/32	21/32	1/16	4.4	MB78
BK85	8.25	7.50	7.90	3	7/8	15/32	21/32	1/16	5.0	MB83
BK90	8.75	8.00	8.40	3	7/8	15/32	21/32	1/16	5.0	MB88
BK95	9.25	8.50	8.90	3	7/8	15/32	21/32	1/16	5.4	MB93
BK100	9.75	9.00	9.40	3	7/8	15/32	21/32	1/16	5.6	MB98
BK105	10.25	9.50	9.90	3	7/8	15/32	21/32	1/16	5.8	MB103
BK110	10.75	10.00	10.40	3	7/8	15/32	21/32	1/16	6.4	MB108
BK115	11.25	10.50	10.90	3	7/8	15/32	21/32	1/16	6.9	MB113
BK120	11.75	11.00	11.40	3	7/8	15/32	21/32	1/16	7.4	MB118
BK130	12.75	12.00	12.40	3	7/8	15/32	21/32	1/16	8.4	MB128
BK140	13.75	13.00	13.40	3	7/8	15/32	21/32	1/16	9.4	MB138
BK160	15.75	15.00	15.40	3	7/8	15/32	21/32	1/16	11.4	MB158
BK190	18.75	18.00	18.40	3	7/8	15/32	21/32	1/16	13.4	MB188

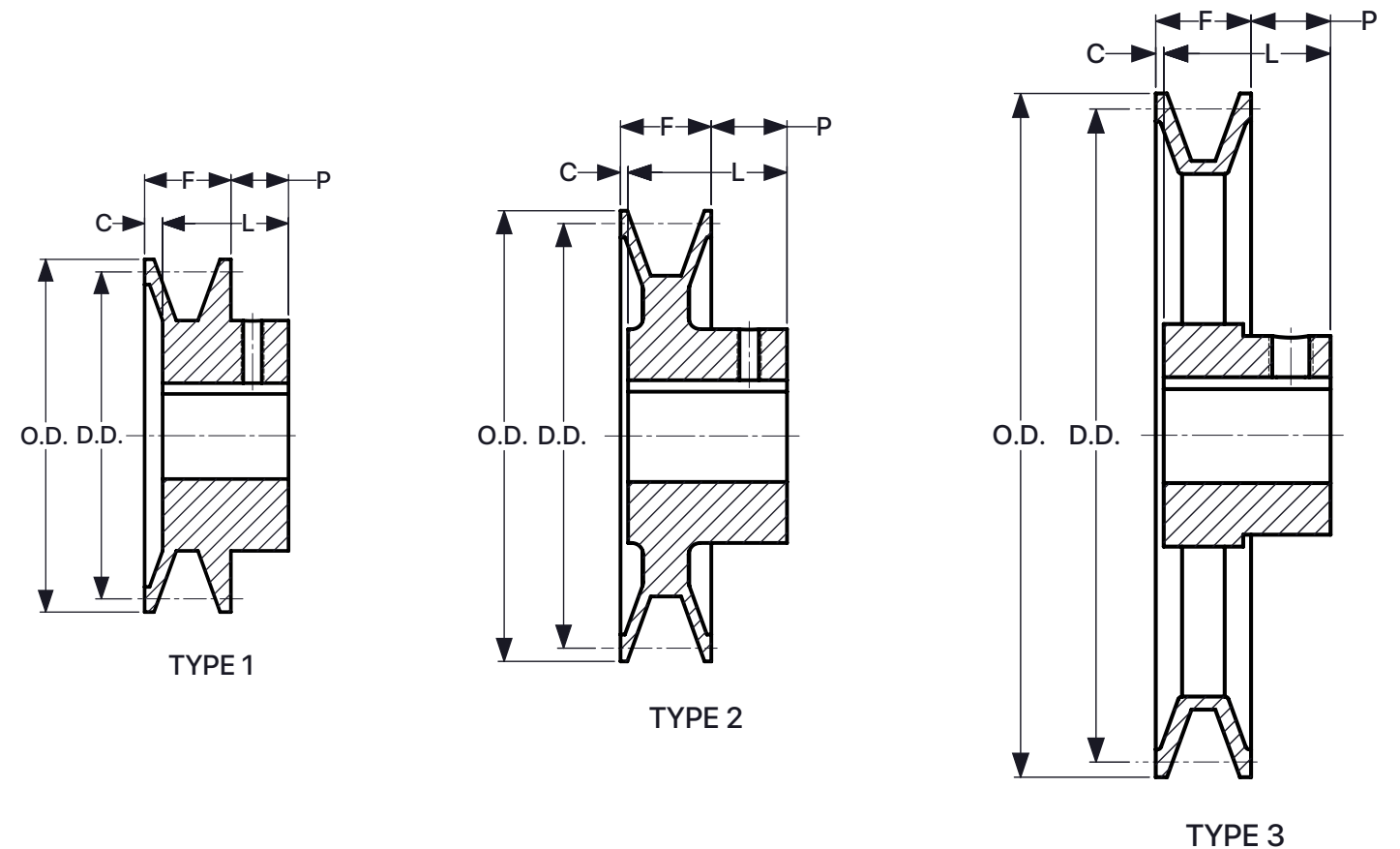
Δ Do not use with bores of 1" and under with gripnotch belt ratings.

◇ P= 25/32 & C= 1/16 for bore of 1" and smaller

*The interchange numbers match the interchange for the datum diameter.
The other physical measurements can differ between the models BK and MB.

Standard keyseat	
Bore range (in)	Keyseat (in)
1/2	None
5/8 - 7/8	3/16 x 3/32
15/16 - 1 1/4	1/4 x 1/8
1 7/16	3/8 x 3/16

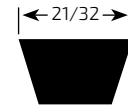
See Bushings section for set screw specifications.



CAST IRON PULLEYS

2BK SERIES

Single groove pulleys for "4L" or "A" belts and "5L" or "B" belts

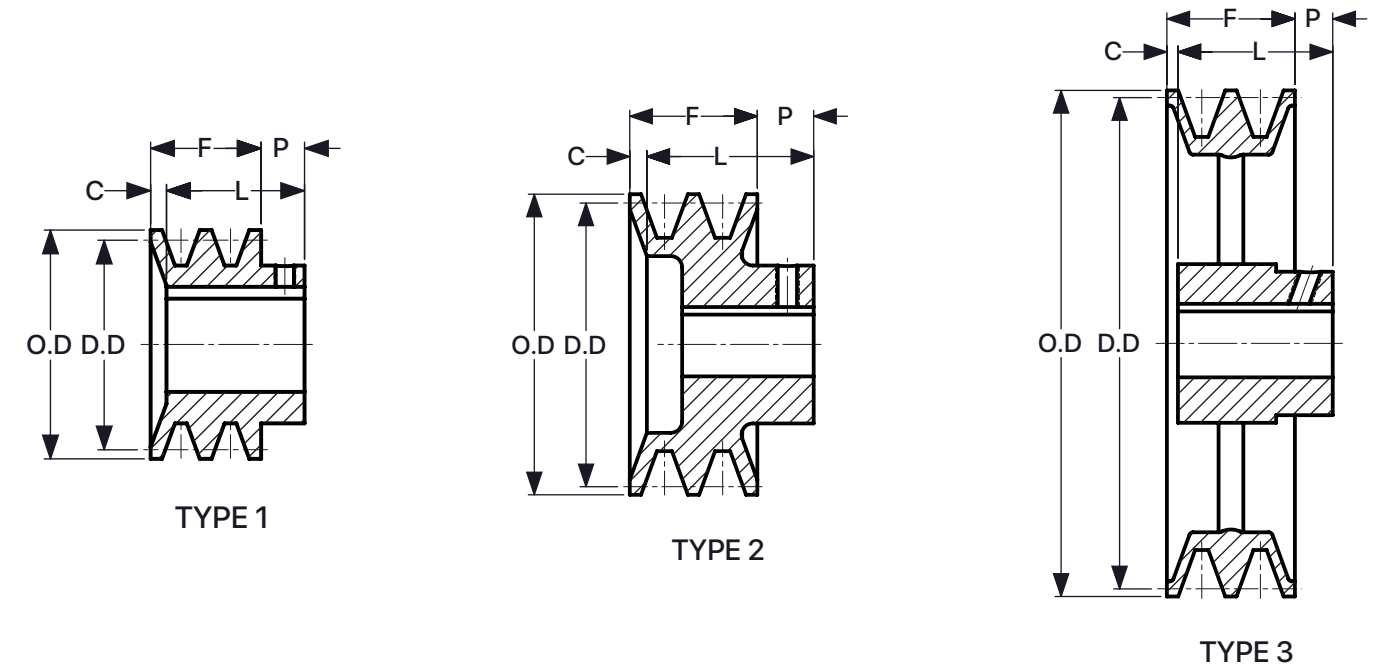


Part no.	Diameters (in)			Type	Dimensions (in)				Weight lb	Interchange*
	O.D.	D.D. A	D.D. B		F	L	P	C		
2BK25	2.50	1.90	2.30	1	1 3/4	1 31/32	15/32	1/4	1.3	2MB25
2BK27	2.70	2.10	2.50	1	1 3/4	1 31/32	15/32	1/4	1.6	2MB28
2BK28	2.95	2.20	2.60	1	1 3/4	1 31/32	15/32	1/4	1.9	2MB30
2BK30	3.15	2.40	2.80	1	1 3/4	1 31/32	15/32	1/4	2.3	2MB32
2BK32	3.35	2.60	3.00	1	1 3/4	1 31/32	15/32	1/4	2.6	2MB34
2BK34	3.55	2.80	3.20	1	1 3/4	1 31/32	15/32	1/4	2.8	2MB35
2BK36	3.75	3.00	3.40	1	1 3/4	1 31/32	15/32	1/4	3.3	2MB38
2BK40	3.95	3.20	3.60	2	1 3/4	1 15/32	15/32	3/4	3.3	2MB40
2BK45	4.25	3.50	3.90	2	1 3/4	1 15/32	15/32	3/4	3.3	2MB43
2BK47	4.45	3.70	4.10	2	1 3/4	1 15/32	15/32	3/4	3.7	2MB45
2BK50	4.75	4.00	4.40	2	1 3/4	1 15/32	15/32	3/4	4.1	2MB48
2BK52	4.95	4.20	4.60	2	1 3/4	1 15/32	15/32	3/4	4.5	2MB50
2BK55	5.25	4.50	4.90	2	1 3/4	1 15/32	15/32	3/4	4.5	2MB53
2BK57	5.45	4.70	5.10	2	1 3/4	1 15/32	15/32	3/4	5.1	2MB55
2BK60	5.75	5.00	5.40	3	1 3/4	1 15/32	15/32	3/4	4.9	2MB58
2BK62	5.95	5.20	5.60	3	1 3/4	1 15/32	15/32	3/4	4.8	2MB60
2BK65	6.25	5.50	5.90	3	1 3/4	1 15/32	15/32	3/4	5.0	2MB63
2BK67	6.45	5.70	6.10	3	1 3/4	1 15/32	15/32	3/4	5.0	2MB65
2BK70	6.75	6.00	6.40	3	1 3/4	1 19/32	11/32	1/2	6.6	2MB68
2BK80	7.75	7.00	7.40	3	1 3/4	1 19/32	11/32	1/2	7.2	2MB78
2BK90	8.75	8.00	8.40	3	1 3/4	1 19/32	11/32	1/2	8.4	2MB88
2BK100	9.75	9.00	9.40	3	1 3/4	1 19/32	11/32	1/2	9.4	2MB98
2BK110	10.75	10.00	10.40	3	1 3/4	1 19/32	11/32	1/2	10.4	2MB108
2BK120	11.75	11.00	11.40	3	1 3/4	1 19/32	11/32	1/2	11.8	2MB118
2BK130	12.75	12.00	12.40	3	1 3/4	1 19/32	11/32	1/2	14.9	2MB128
2BK140	13.75	13.00	13.40	3	1 3/4	1 19/32	11/32	1/2	16.3	2MB138
2BK160	15.75	15.00	15.40	3	1 3/4	1 19/32	11/32	1/2	18.0	2MB158
2BK190	18.75	18.00	18.40	3	1 3/4	1 19/32	11/32	1/2	23.3	2MB188

*The interchange numbers match the interchange for the datum diameter.
The other physical measurements can differ between the models BK and MB.

Standard keyseat	
Bore range (in)	Keyseat (in)
1/2	None
5/8 - 7/8	3/16 x 3/32
15/16 - 1 1/4	1/4 x 1/8
1 7/16	3/8 x 3/16

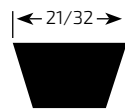
See Bushings section for set screw specifications.



CAST IRON PULLEYS

3BK SERIE

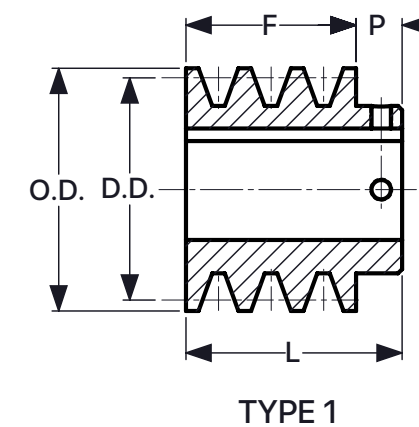
Triple groove pulley. Combination grooves for "4L" or "A" and "5L" or "B" belts



Part no.	Diameters (in)			Type	Dimensions (in)			Weight lb
	O.D.	D.D. A	D.D. B		F	L	P	
3BK25	2.50	1.90	2.30	1	2 1/2	3	1/2	1.70
3BK27	2.70	2.10	2.50	1	2 1/2	3	1/2	2.10
3BK28	2.95	2.20	2.60	1	2 1/2	3	1/2	2.50
3BK30	3.15	2.40	2.80	1	2 1/2	3	1/2	3.00
3BK32	3.35	2.60	3.00	1	2 1/2	3	1/2	3.40
3BK34	3.55	2.80	3.20	1	2 1/2	3	1/2	3.80
3BK36	3.75	3.00	3.40	1	2 1/2	3	1/2	4.30
3BK40	3.95	3.20	3.60	1	2 1/2	3	1/2	4.70

Standard keyseat	
Bore range (in)	Keyseat (in)
5/8 – 7/8	3/16 x 3/32
15/16 – 1 1/8	1/4 x 1/8

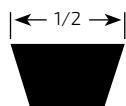
See Bushings section for set screw specifications.



TYPE 1

CAST IRON PULLEYS

AKH SERIES

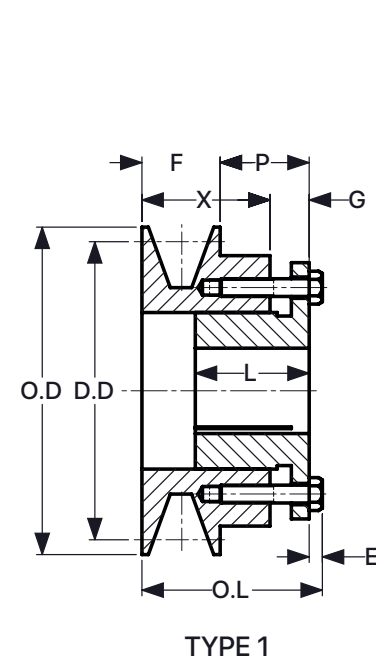


Single groove pulleys for "4L" or "A" belts. "3L" belts may be used with these pulleys as indicated below.

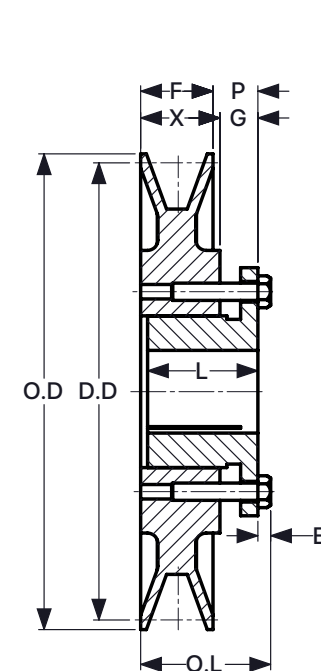
Part no.	Diameters (in)			Type	Dimensions (in)								Weight w/o bushing lb	Interchange*
	O.D.	D.D.	Pitch "3L"		O.L.	F	L	P	C	X	G	E		
AK30H	3.05	2.80	2.46	1	113/16	3/4	11/4	7/8	-	13/16	7/16	3/16	1.10	MAL30
AK32H	3.25	3.00	2.66	1	113/16	3/4	11/4	7/8	-	13/16	7/16	3/16	1.20	MAL32
AK34H	3.45	3.20	2.86	2	11/2	3/4	11/4	9/16	-	7/8	7/16	3/16	1.00	MAL34
AK39H	3.75	3.50	3.16	2	11/2	3/4	11/4	9/16	-	7/8	7/16	3/16	1.40	MAL37
AK41H	3.95	3.70	3.36	2	11/2	3/4	11/4	9/16	-	7/8	7/16	3/16	1.60	MAL39
AK44H	4.25	4.00	3.66	2	11/2	3/4	11/4	9/16	-	7/8	7/16	3/16	1.90	MAL42
AK46H	4.45	4.20	3.86	2	11/2	3/4	11/4	9/16	-	7/8	7/16	3/16	1.90	MAL44
AK49H	4.75	4.50	4.16	2	11/2	3/4	11/4	9/16	-	7/8	7/16	3/16	2.10	MAL47
AK51H	4.95	4.70	4.36	2	11/2	3/4	11/4	9/16	-	7/8	7/16	3/16	2.30	MAL49
AK54H	5.25	5.00	4.66	2	11/2	3/4	11/4	9/16	-	7/8	7/16	3/16	2.00	MAL52
AK56H	5.45	5.20	4.86	2	11/2	3/4	11/4	9/16	-	7/8	7/16	3/16	2.30	MAL54
AK59H	5.75	5.50	5.16	2	11/2	3/4	11/4	9/16	-	7/8	7/16	3/16	2.40	MAL57
AK61H	5.95	5.70	5.36	3	11/2	3/4	11/4	9/16	0	7/8	7/16	3/16	2.50	MAL59
AK64H	6.25	6.00	5.66	3	11/2	3/4	11/4	9/16	0	7/8	7/16	3/16	2.70	MAL62
AK66H	6.45	6.20	5.86	3	11/2	3/4	11/4	9/16	0	7/8	7/16	3/16	2.80	MAL64
AK69H	6.75	6.50	6.16	3	11/2	3/4	11/4	9/16	0	7/8	7/16	3/16	3.20	MAL67
AK71H	6.95	6.70	6.36	3	11/2	3/4	11/4	9/16	0	7/8	7/16	3/16	3.10	MAL69
AK74H	7.25	7.00	6.66	3	11/2	3/4	11/4	9/16	0	7/8	7/16	3/16	3.30	MAL72
AK79H	7.75	7.50	7.16	3	11/2	3/4	11/4	9/16	0	7/8	7/16	3/16	3.50	MAL77
AK84H	8.25	8.00	7.66	3	11/2	3/4	11/4	9/16	0	7/8	7/16	3/16	3.60	MAL82
AK89H	8.75	8.50	8.16	3	11/2	3/4	11/4	9/16	0	7/8	7/16	3/16	4.00	MAL87
AK94H	9.25	9.00	8.66	3	11/2	3/4	11/4	9/16	0	7/8	7/16	3/16	4.40	MAL92
AK99H	9.75	9.50	9.16	3	11/2	3/4	11/4	9/16	0	7/8	7/16	3/16	4.70	MAL97
AK104H	10.25	10.00	9.66	3	11/2	3/4	11/4	9/16	0	7/8	7/16	3/16	4.50	MAL102
AK109H	10.75	10.50	10.16	3	11/2	3/4	11/4	9/16	0	7/8	7/16	3/16	5.10	MAL107
AK114H	11.25	11.00	10.66	3	11/2	3/4	11/4	9/16	0	7/8	7/16	3/16	5.50	MAL112
AK124H	12.25	12.00	11.66	3	11/2	3/4	11/4	9/16	0	7/8	7/16	3/16	6.10	MAL122
AK134H	13.25	13.00	12.66	3	11/2	3/4	11/4	9/16	0	7/8	7/16	3/16	7.40	MAL132
AK144H	14.25	14.00	13.66	3	11/2	3/4	11/4	9/16	0	7/8	7/16	3/16	7.80	MAL142
AK154H	15.25	15.00	14.66	3	11/2	3/4	11/4	9/16	0	7/8	7/16	3/16	8.80	MAL152
AK184H	18.25	18.00	17.66	3	11/2	3/4	11/4	9/16	0	7/8	7/16	3/16	11.30	MAL182

H Type bushing required with all these pulleys (see Bushings section for specifications)

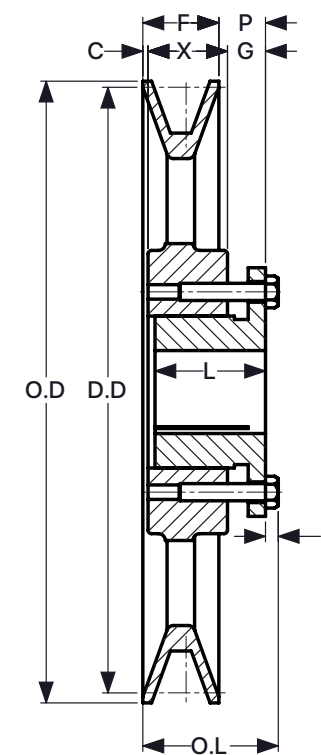
*The interchange numbers match the interchange for the datum diameter.
The other physical measurements can differ between the models AK and MA.



TYPE 1



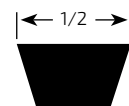
TYPE 2



TYPE 3

CAST IRON PULLEYS

2AKH SERIES

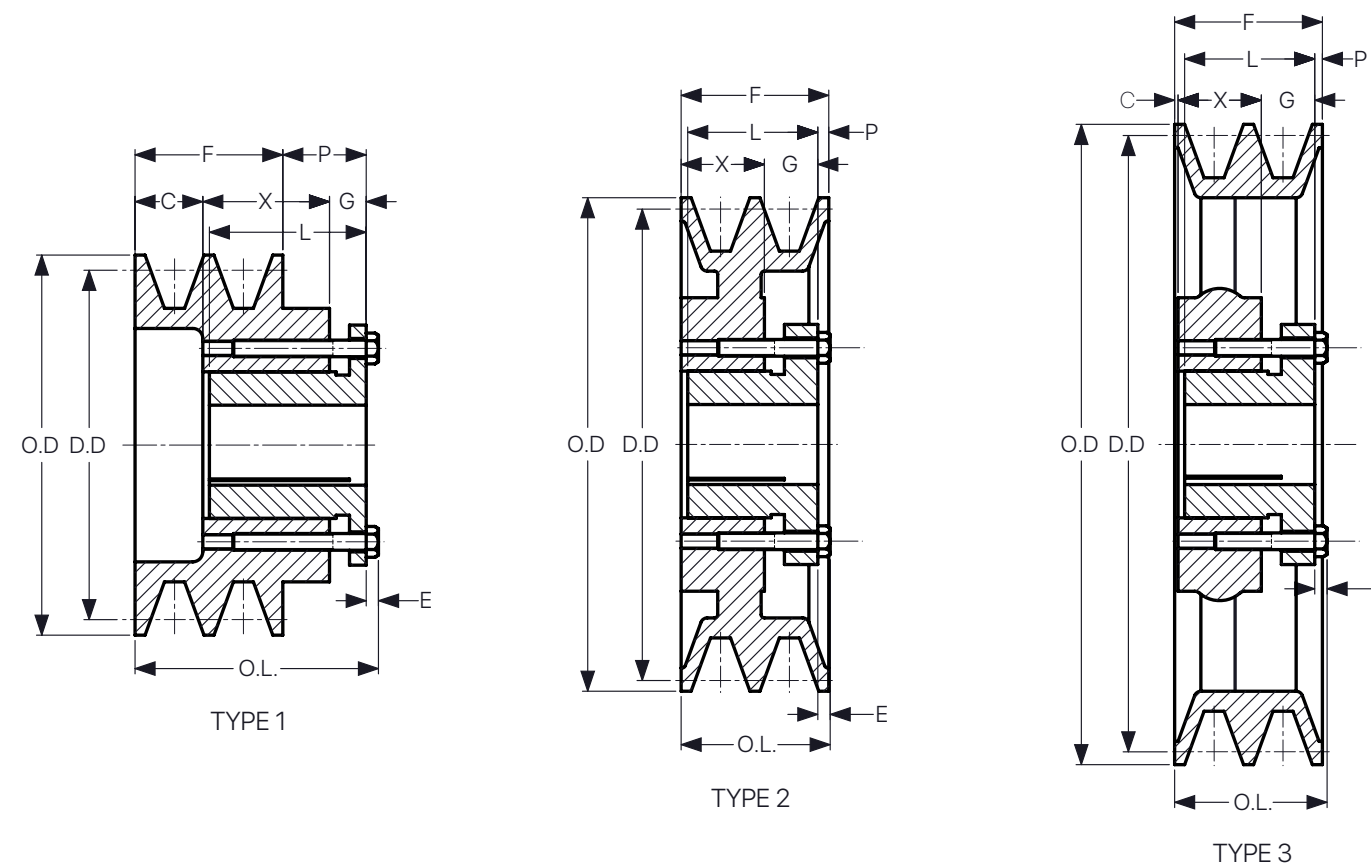


Double groove pulleys for "4L" or "A"belts. "3L" belts may be used with bushings as indicated below.

Part no.	Diameters (in)			Type	Dimensions (in)								Weight w/o bushing lb	Interchange*
	O.D.	D.D.	Pitch "3L"		O.L.	F	L	P	C	X	G	E		
2AK30H	3.05	2.80	2.46	1	2 7/16	13/8	11/4	7/8	15/16	7/8	7/16	3/16	1.40	2MAL30
2AK32H	3.25	3.00	2.66	1	2 7/16	13/8	11/4	7/8	15/16	7/8	7/16	3/16	1.70	2MAL32
2AK34H	3.45	3.20	2.86	1	2	13/8	11/4	7/16	1/2	7/8	7/16	3/16	1.80	2MAL34
2AK39H	3.75	3.50	3.16	1	2	13/8	11/4	7/16	1/2	7/8	7/16	3/16	1.80	2MAL37
2AK41H	3.95	3.70	3.36	2	1 1/2	13/8	11/4	7/16	-	7/8	7/16	3/16	1.90	2MAL39
2AK44H	4.25	4.00	3.66	2	1 1/2	13/8	11/4	1/16	-	7/8	7/16	3/16	2.40	2MAL42
2AK46H	4.45	4.20	3.86	2	1 1/2	13/8	11/4	1/16	-	7/8	7/16	3/16	2.50	2MAL44
2AK49H	4.75	4.50	4.16	2	1 1/2	13/8	11/4	1/16	-	7/8	7/16	3/16	3.10	2MAL47
2AK51H	4.95	4.70	4.36	2	1 1/2	13/8	11/4	1/16	-	7/8	7/16	3/16	3.20	2MAL49
2AK54H	5.25	5.00	4.66	2	1 1/2	13/8	11/4	1/16	-	7/8	7/16	3/16	3.40	2MAL52
2AK56H	5.45	5.20	4.86	2	1 1/2	13/8	11/4	1/16	-	7/8	7/16	3/16	3.60	2MAL54
2AK59H	5.75	5.50	5.16	3	1 1/2	13/8	11/4	1/16	0	7/8	7/16	3/16	3.40	2MAL57
2AK61H	5.95	5.70	5.36	3	1 1/2	13/8	11/4	1/16	0	7/8	7/16	3/16	3.30	2MAL59
2AK64H	6.25	6.00	5.66	3	1 1/2	13/8	11/4	1/16	0	7/8	7/16	3/16	3.90	2MAL62
2AK74H	7.25	7.00	6.66	3	1 1/2	13/8	11/4	1/16	0	7/8	7/16	3/16	4.90	2MAL72
2AK84H	8.25	8.00	7.66	3	1 1/2	13/8	11/4	1/16	0	7/8	7/16	3/16	5.80	2MAL82
2AK94H	9.25	9.00	8.66	3	1 1/2	13/8	11/4	1/16	0	7/8	7/16	3/16	6.10	2MAL92
2AK104H	10.25	10.00	9.66	3	1 1/2	13/8	11/4	1/16	0	7/8	7/16	3/16	7.70	2MAL102
2AK114H	11.25	11.00	10.66	3	1 1/2	13/8	11/4	1/16	0	7/8	7/16	3/16	8.50	2MAL112
2AK124H	12.25	12.00	11.66	3	1 1/2	13/8	11/4	1/16	0	7/8	7/16	3/16	9.50	2MAL122
2AK134H	13.25	13.00	12.66	3	1 1/2	13/8	11/4	1/16	0	7/8	7/16	3/16	11.40	2MAL132
2AK144H	14.25	14.00	13.66	3	1 1/2	13/8	11/4	1/16	0	7/8	7/16	3/16	11.90	2MAL142
2AK154H	15.25	15.00	14.66	3	1 1/2	13/8	11/4	1/16	0	7/8	7/16	3/16	13.30	2MAL152
2AK184H	18.25	18.00	17.66	3	1 1/2	13/8	11/4	1/16	0	7/8	7/16	3/16	16.80	2MAL182

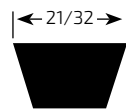
H Type bushing required with all these pulleys (see Bushings section for specifications)

*The interchange numbers match the interchange for the datum diameter. The other physical measurements can differ between the models AK and MA.



CAST IRON PULLEYS

BKH SERIES

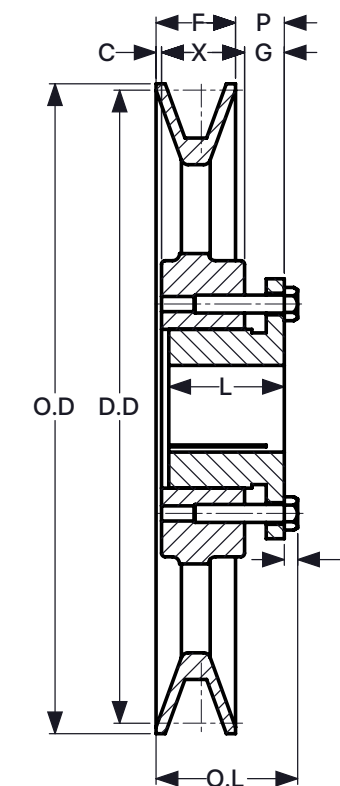
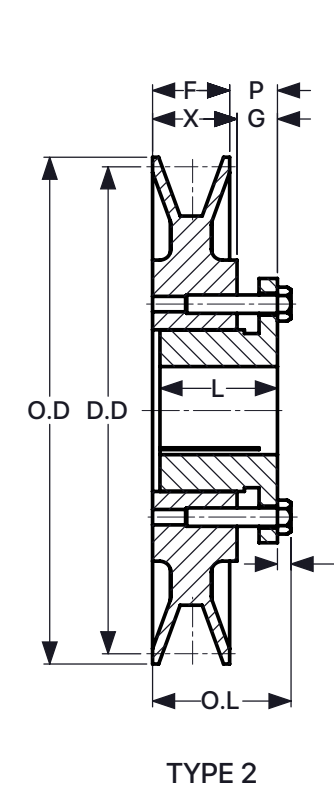
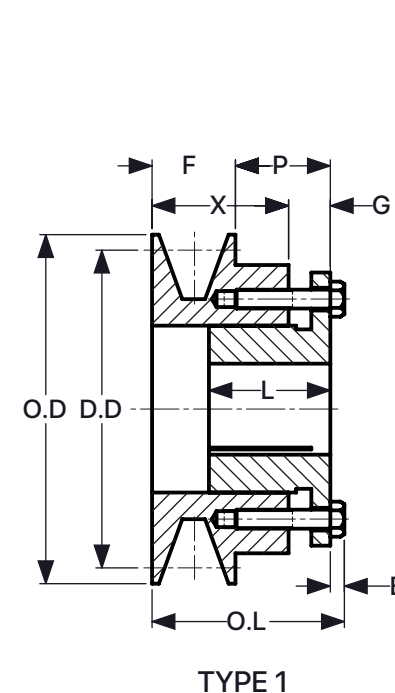


Single groove pulleys for "4L" or "A" belts and "5L" or "B" belts with bushing

Part no.	Diameters (in)			Type	Dimensions (in)								Weight w/o bushing lb	Interchange*
	O.D.	D.D. A	D.D. B		O.L.	F	L	P	C	X	G	E		
BK30H	3.15	2.40	2.80	1	115/16	7/8	11/4	7/8	---	15/16	7/16	3/16	1.2	MBL31
BK32H	3.35	2.60	3.00	1	115/16	7/8	11/4	7/8	---	15/16	7/16	3/16	1.40	MBL33
BK34H	3.55	2.80	3.20	1	115/16	7/8	11/4	7/8	---	15/16	7/16	3/16	1.60	MBL35
BK36H	3.75	3.00	3.40	2	11/2	7/8	11/4	7/16	---	7/8	7/16	3/16	1.20	MBL37
BK40H	3.95	3.20	3.60	2	11/2	7/8	11/4	7/16	---	7/8	7/16	3/16	1.40	MBL39
BK45H	4.25	3.50	3.90	2	11/2	7/8	11/4	7/16	---	7/8	7/16	3/16	1.80	MBL42
BK47H	4.45	3.70	4.10	2	11/2	7/8	11/4	7/16	---	7/8	7/16	3/16	2.20	MBL44
BK50H	4.75	4.00	4.40	2	11/2	7/8	11/4	7/16	---	7/8	7/16	3/16	2.00	MBL47
BK52H	4.95	4.20	4.60	2	11/2	7/8	11/4	7/16	---	7/8	7/16	3/16	2.10	MBL49
BK55H	5.25	4.50	4.90	2	11/2	7/8	11/4	7/16	---	7/8	7/16	3/16	2.70	MBL52
BK57H	5.45	4.70	5.10	2	11/2	7/8	11/4	7/16	---	7/8	7/16	3/16	2.70	MBL54
BK60H	5.75	5.00	5.40	2	11/2	7/8	11/4	7/16	---	7/8	7/16	3/16	2.50	MBL57
BK62H	5.95	5.20	5.60	2	11/2	7/8	11/4	7/16	---	7/8	7/16	3/16	2.60	MBL59
BK65H	6.25	5.50	5.90	2	11/2	7/8	11/4	7/16	---	7/8	7/16	3/16	2.80	MBL62
BK67H	6.45	5.70	6.10	2	11/2	7/8	11/4	7/16	---	7/8	7/16	3/16	2.90	MBL64
BK70H	6.75	6.00	6.40	3	19/16	7/8	11/4	1/2	1/16	7/8	7/16	3/16	2.80	MBL67
BK72H	6.95	6.20	6.60	3	19/16	7/8	11/4	1/2	1/16	7/8	7/16	3/16	3.10	MBL69
BK75H	7.25	6.50	6.90	3	19/16	7/8	11/4	1/2	1/16	7/8	7/16	3/16	3.30	MBL72
BK77H	7.45	6.70	7.10	3	19/16	7/8	11/4	1/2	1/16	7/8	7/16	3/16	3.80	MBL74
BK80H	7.75	7.00	7.40	3	19/16	7/8	11/4	1/2	1/16	7/8	7/16	3/16	3.40	MBL77
BK85H	8.25	7.50	7.90	3	19/16	7/8	11/4	1/2	1/16	7/8	7/16	3/16	3.80	MBL82
BK90H	8.75	8.00	8.40	3	19/16	7/8	11/4	1/2	1/16	7/8	7/16	3/16	4.30	MBL87
BK95H	9.25	8.50	8.90	3	19/16	7/8	11/4	1/2	1/16	7/8	7/16	3/16	5.00	MBL92
BK100H	9.75	9.00	9.40	3	19/16	7/8	11/4	1/2	1/16	7/8	7/16	3/16	5.20	MBL97
BK105H	10.25	9.50	9.90	3	19/16	7/8	11/4	1/2	1/16	7/8	7/16	3/16	5.50	MBL102
BK110H	10.75	10.00	10.40	3	19/16	7/8	11/4	1/2	1/16	7/8	7/16	3/16	6.00	MBL107
BK115H	11.25	10.50	10.90	3	19/16	7/8	11/4	1/2	1/16	7/8	7/16	3/16	6.40	MBL112
BK120H	11.75	11.00	11.40	3	19/16	7/8	11/4	1/2	1/16	7/8	7/16	3/16	6.90	MBL117
BK130H	12.75	12.00	12.40	3	19/16	7/8	11/4	1/2	1/16	7/8	7/16	3/16	6.90	MBL127
BK140H	13.75	13.00	13.40	3	19/16	7/8	11/4	1/2	1/16	7/8	7/16	3/16	8.50	MBL137
BK150H	14.75	14.00	14.40	3	19/16	7/8	11/4	1/2	1/16	7/8	7/16	3/16	9.50	MBL147
BK160H	15.75	15.00	15.40	3	19/16	7/8	11/4	1/2	1/16	7/8	7/16	3/16	9.80	MBL157
BK190H	18.75	18.00	18.40	3	19/16	7/8	11/4	1/2	1/16	7/8	7/16	3/16	12.80	MBL187

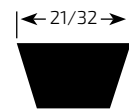
H Type bushing required with all these pulleys (see Bushings section for specifications)

*The interchange numbers match the interchange for the datum diameter. The other physical measurements can differ between the models BK and MB.



CAST IRON PULLEYS

2BKH SERIES

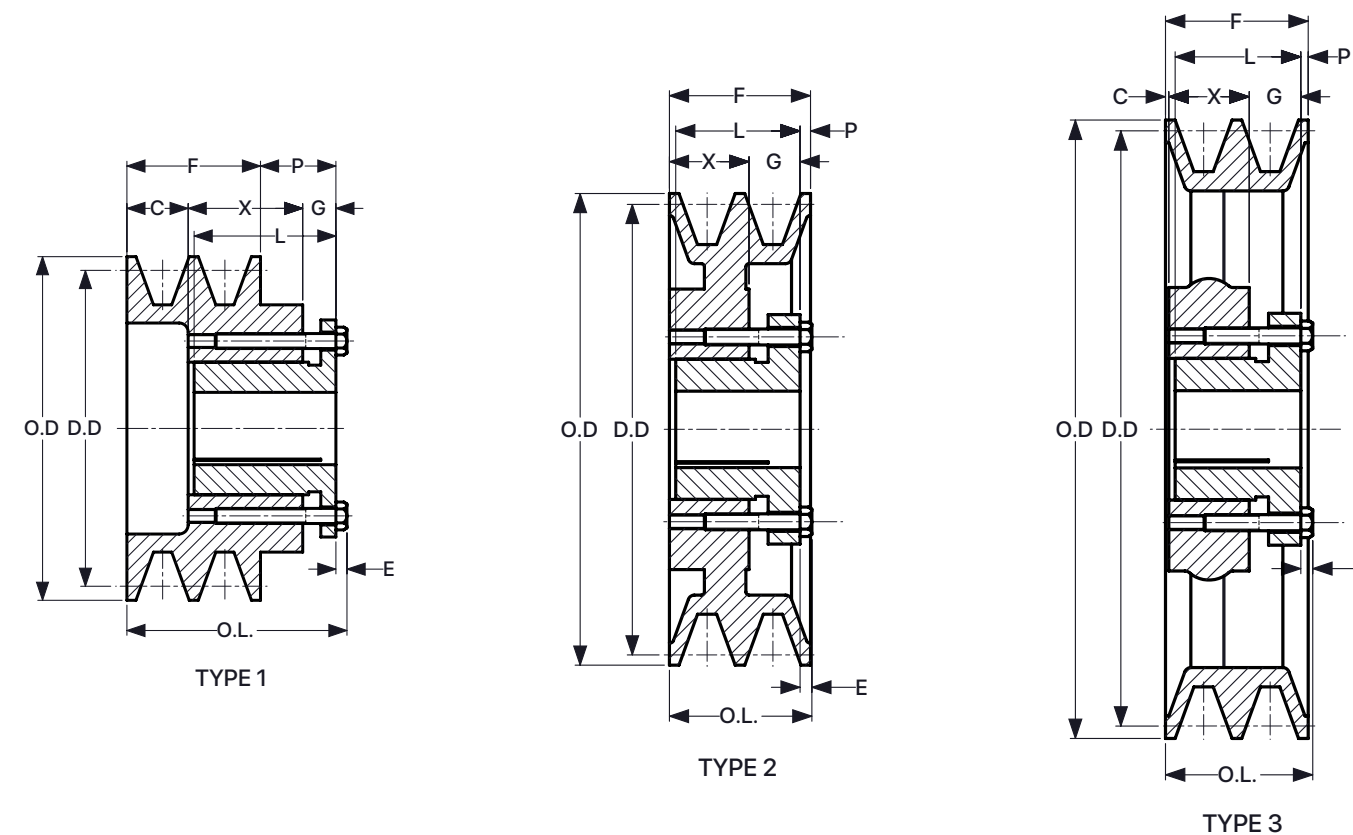


Double groove pulleys for "4L" or "A" belts and "5L" or "B" belts with bushing

Part no.	Diameters (in)			Type	Dimensions (in)								Weight w/o bushing lb	Interchange*
	O.D.	D.D. A	D.D. B		O.L.	F	L	P	C	X	G	E		
2BK32H	3.35	2.60	3.00	1	2 13/16	13/4	11/4	7/8	15/16	7/8	7/16	3/16	2.10	2MBL33
2BK34H	3.55	2.80	3.20	1	2 13/16	13/4	11/4	7/8	15/16	7/8	7/16	3/16	2.40	2MBL35
2BK36H	3.75	3.00	3.40	1	2 3/8	13/4	11/4	7/16	7/8	7/8	7/16	3/16	2.00	2MBL37
2BK40H	3.95	3.20	3.60	1	2 3/8	13/4	11/4	7/16	7/8	7/8	7/16	3/16	2.40	2MBL39
2BK45H	4.25	3.50	3.90	1	2 3/8	13/4	11/4	7/16	7/8	7/8	7/16	3/16	3.00	2MBL42
2BK47H	4.45	3.70	4.10	2	13/4	13/4	11/4	7/16	-	7/8	7/16	3/16	2.80	2MBL44
2BK50H	4.75	4.00	4.40	2	13/4	13/4	11/4	7/16	-	7/8	7/16	3/16	3.30	2MBL47
2BK52H	4.95	4.20	4.60	2	13/4	13/4	11/4	7/16	-	7/8	7/16	3/16	3.60	2MBL49
2BK55H	5.25	4.50	4.90	2	13/4	13/4	11/4	7/16	-	7/8	7/16	3/16	3.90	2MBL52
2BK57H	5.45	4.70	5.10	2	13/4	13/4	11/4	7/16	-	7/8	7/16	3/16	4.30	2MBL54
2BK60H	5.75	5.00	5.40	2	13/4	13/4	11/4	7/16	-	7/8	7/16	3/16	4.40	2MBL57
2BK62H	5.95	5.20	5.60	2	13/4	13/4	11/4	7/16	-	7/8	7/16	3/16	4.50	2MBL59
2BK65H	6.25	5.50	5.90	3	13/4	13/4	11/4	7/16	1/4	7/8	7/16	3/16	4.50	2MBL62
2BK67H	6.45	5.70	6.10	3	13/4	13/4	11/4	7/16	1/4	7/8	7/16	3/16	5.00	2MBL64
2BK70H	6.75	6.00	6.40	3	13/4	13/4	11/4	7/16	1/4	7/8	7/16	3/16	5.10	2MBL67
2BK80H	7.75	7.00	7.40	3	13/4	13/4	11/4	7/16	1/4	7/8	7/16	3/16	6.40	2MBL77
2BK90H	8.75	8.00	8.40	3	13/4	13/4	11/4	7/16	1/4	7/8	7/16	3/16	7.60	2MBL87
2BK100H	9.75	9.00	9.40	3	13/4	13/4	11/4	7/16	1/4	7/8	7/16	3/16	8.40	2MBL97
2BK110H	10.75	10.00	10.40	3	13/4	13/4	11/4	7/16	1/4	7/8	7/16	3/16	9.30	2MBL107
2BK120H	11.75	11.00	11.40	3	13/4	13/4	11/4	7/16	1/4	7/8	7/16	3/16	11.00	2MBL117
2BK130H	12.75	12.00	12.40	3	13/4	13/4	11/4	7/16	1/4	7/8	7/16	3/16	13.10	2MBL127
2BK140H	13.75	13.00	13.40	3	13/4	13/4	11/4	7/16	1/4	7/8	7/16	3/16	14.80	2MBL137
2BK160H	15.75	15.00	15.40	3	13/4	13/4	11/4	7/16	1/4	7/8	7/16	3/16	17.50	2MBL157
2BK190H	18.75	18.00	18.40	3	13/4	13/4	11/4	7/16	1/4	7/8	7/16	3/16	21.50	2MBL187

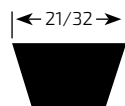
H Type bushing required with all these pulleys (see Bushings section for specifications)

*The interchange numbers match the interchange for the datum diameter.
The other physical measurements can differ between the models BK and MB.



CAST IRON PULLEYS

3BKH SERIES

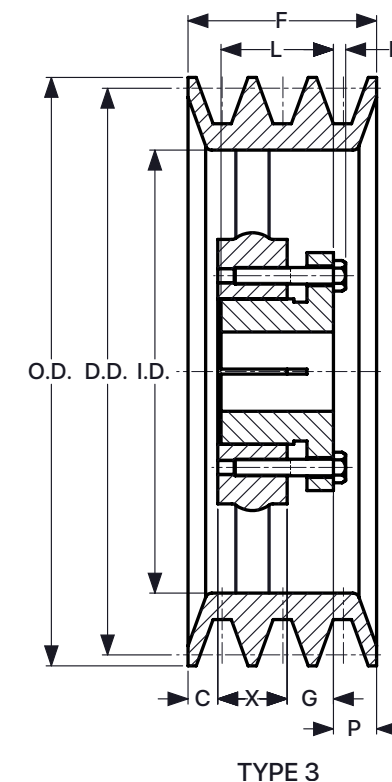
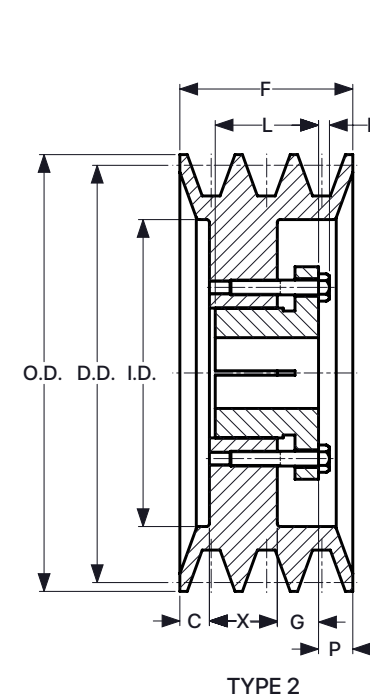


Triple groove sheave. Combination grooves for "4L" or "A" belts and "5L" or "B"

Part no.	Diameters (in)				Type	Dimensions (in)							Weight w/o bushing lb
	O.D.	D.D. A	D.D. B	I.D.		F	L	P	C	X	G	E	
3BK45H	4.25	3.50	3.90	2 5/8	2	2 1/2	11/4	1/2	11/16	7/8	7/16	3/16	3.90
3BK47H	4.45	3.70	4.10	2 11/16	2	2 1/2	11/4	1/2	11/16	7/8	7/16	3/16	4.20
3BK50H	4.75	4.00	4.40	3	2	2 1/2	11/4	1/2	11/16	7/8	7/16	3/16	4.40
3BK52H	4.95	4.20	4.60	3 3/16	2	2 1/2	11/4	1/2	11/16	7/8	7/16	3/16	4.70
3BK55H	5.25	4.50	4.90	3 1/2	2	2 1/2	11/4	1/2	11/16	7/8	7/16	3/16	5.10
3BK57H	5.45	4.70	5.10	3 11/16	2	2 1/2	11/4	1/2	11/16	7/8	7/16	3/16	5.30
3BK60H	5.75	5.00	5.40	4	3	2 1/2	11/4	1/2	11/16	7/8	7/16	3/16	5.60
3BK62H	5.95	5.20	5.60	4 3/16	3	2 1/2	11/4	1/2	11/16	7/8	7/16	3/16	5.80
3BK65H	6.25	5.50	5.90	4 1/2	3	2 1/2	11/4	29/32	9/32	7/8	7/16	3/16	5.80
3BK67H	6.45	5.70	6.10	4 11/16	3	2 1/2	11/4	29/32	9/32	7/8	7/16	3/16	6.20
3BK70H	6.75	6.00	6.40	5	3	2 1/2	11/4	29/32	9/32	7/8	7/16	3/16	6.60
3BK80H	7.75	7.00	7.40	6	3	2 1/2	11/4	27/32	11/32	7/8	7/16	3/16	8.30
3BK90H	8.75	8.00	8.40	7	3	2 1/2	11/4	27/32	11/32	7/8	7/16	3/16	9.80
3BK100H	9.75	9.00	9.40	8	3	2 1/2	11/4	27/32	11/32	7/8	7/16	3/16	10.90
3BK110H	10.75	10.00	10.40	9	3	2 1/2	11/4	27/32	11/32	7/8	7/16	3/16	12.10
3BK120H	11.75	11.00	11.40	10	3	2 1/2	11/4	27/32	11/32	7/8	7/16	3/16	14.30
3BK130H	12.75	12.00	12.40	11	3	2 1/2	11/4	25/32	13/32	7/8	7/16	3/16	16.20
3BK140H	13.75	13.00	13.40	12	3	2 1/2	11/4	25/32	13/32	7/8	7/16	3/16	17.70
3BK160H	15.75	15.00	15.40	14	3	2 1/2	11/4	25/32	13/32	7/8	7/16	3/16	21.00
3BK190H	18.75	18.00	18.40	17	3	2 1/2	11/4	25/32	13/32	7/8	7/16	3/16	25.80

H type bushing required with all these pulleys (see Bushings section for specifications)

*The interchange numbers match the interchange for the datum diameter.
The other physical measurements can differ between the models BK and MB.



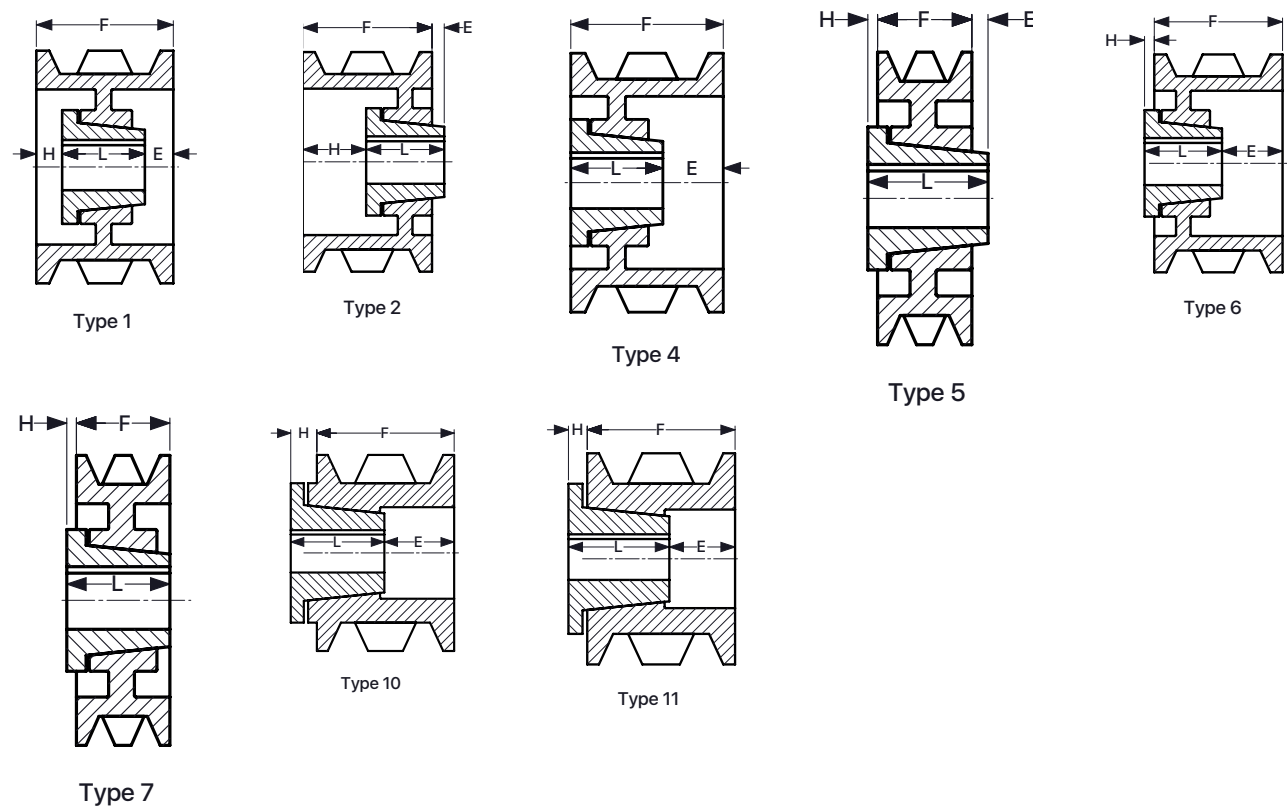
A/B COMBINATION PULLEYS

- Single, double or triple-groove
- Available for light work and standard work
- Made of cast iron
- 1 to 8 grooves
- Outside diameters of up to 25.35"



A/B COMBINATION PULLEYS

FOR QD TAPER BUSHINGS



L, H and E: Pulley dimensions vary according to shaft tolerance

B: QD Bushing type

T: Type. Suffix indicates construction : A = arms; B = block; W = web

Caution

Do not use these grey cast iron pulleys with rim speeds in excess of 6500 feet/min.



A/B COMBINATION PULLEYS

1 GROOVE

1 groove (in)									
Part no.	O.D.	P.D.		F = 7/8" up to 7.15 O.D. and 1" thereafter					
		A belt	B belt	H	T	B	L	E	Weight (lb)
1B3.4	3.75	3.0	3.4	11/16	11B	SH	15/16	1/4	1
1B3.6	3.95	3.2	3.6	11/16	11B	SH	15/16	1/4	1
1B3.8	4.15	3.4	3.8	11/16	11B	SH	15/16	1/4	2
1B4.0	4.35	3.6	4.0	11/16	11B	SH	15/16	1/4	2
1B4.2	4.55	3.8	4.2	11/16	11B	SH	15/16	1/4	2
1B4.4	4.75	4.0	4.4	11/16	11B	SH	15/16	1/4	2
1B4.6	4.95	4.2	4.6	11/32	5B	SDS	15/16	3/32	2
1B4.8	5.15	4.4	4.8	11/32	5B	SDS	15/16	3/32	3
1B5.0	5.35	4.6	5.0	11/32	5B	SDS	15/16	3/32	3
1B5.2	5.55	4.8	5.2	11/32	5B	SDS	15/16	3/32	3
1B5.4	5.75	5.0	5.4	11/32	5B	SDS	15/16	3/32	4
1B5.6	5.95	5.2	5.6	11/32	5B	SDS	15/16	3/32	4
1B5.8	6.15	5.4	5.8	11/32	5B	SDS	15/16	3/32	4
1B6.0	6.35	5.6	6.0	11/32	5B	SDS	15/16	3/32	5
1B6.2	6.55	5.8	6.2	11/32	5B	SDS	15/16	3/32	5
1B6.4	6.75	6.0	6.4	11/32	5B	SDS	15/16	3/32	6
1B6.6	6.95	6.2	6.6	11/32	5B	SDS	15/16	3/32	6
1B6.8	7.15	6.4	6.8	11/32	5B	SDS	15/16	3/32	6
1B7.0	7.35	6.6	7.0	15/32	5B	SDS	15/16	5/32	6
1B7.4	7.75	7.0	7.4	15/32	6A	SDS	15/16	5/32	6
1B8.0	8.35	7.6	8.0	15/32	6A	SDS	15/16	5/32	7
1B8.6	8.95	8.2	8.6	15/32	6A	SDS	15/16	5/32	8
1B9.0	9.35	8.6	9.0	15/32	6A	SDS	15/16	5/32	9
1B9.4	9.75	9.0	9.4	15/32	6A	SDS	15/16	5/32	9
1B11.0	11.35	10.6	11.0	15/32	6A	SDS	15/16	5/32	11
1B12.4	12.75	12.0	12.4	15/32	6A	SDS	15/16	5/32	12
1B13.6	13.95	13.2	13.6	15/32	6A	SDS	15/16	5/32	13
1B15.4	15.75	15.0	15.4	27/32	5A	SK	115/16	3/32	20
1B16.0	16.35	15.6	16.0	27/32	5A	SK	115/16	3/32	22
1B18.4	18.75	18.0	18.4	27/32	5A	SK	115/16	3/32	28
1B20.0	20.35	19.6	20.0	27/32	5A	SK	115/16	3/32	30
1B25.0	25.35	24.6	25.0	27/32	5A	SK	115/16	3/32	40

L, H and E: Pulley dimensions vary according to shaft tolerance

B: QD Bushing type

T: Type. Suffix indicates construction : A = arms; B = block; W = web

Caution

Do not use these grey cast iron pulleys with rim speeds exceeding 6500 feet/min.

A/B COMBINATION PULLEYS

2 GROOVES

2 grooves (in)									
Part no.	O.D.	P.D.		F = 2 1/2"					
		A belt	B belt	H	T	B	L	E	Weight (lb)
2B3.4	3.75	3.0	3.4	11/16	11B	SH	15/16	11/8	2
2B3.6	3.95	3.2	3.6	11/16	11B	SH	15/16	11/8	3
2B3.8	4.15	3.4	3.8	11/16	11B	SH	15/16	11/8	3
2B4.0	4.35	3.6	4.0	11/16	11B	SH	15/16	11/8	3
2B4.2	4.55	3.8	4.2	1/32	1B	SH	15/16	13/32	3
2B4.4	4.75	4.0	4.4	1/32	1B	SH	15/16	13/32	4
2B4.6	4.95	4.2	4.6	3/32	1B	SDS	15/16	11/32	4
2B4.8	5.15	4.4	4.8	3/32	1B	SDS	15/16	11/32	4
2B5.0	5.35	4.6	5.0	3/32	1B	SDS	15/16	11/32	5
2B5.2	5.55	4.8	5.2	3/32	1B	SDS	15/16	11/32	5
2B5.4	5.75	5.0	5.4	3/32	1B	SDS	15/16	11/32	6
2B5.6	5.95	5.2	5.6	3/32	1B	SDS	15/16	11/32	6
2B5.8	6.15	5.4	5.8	3/32	1B	SDS	15/16	11/32	6
2B6.0	6.35	5.6	6.0	3/32	1W	SDS	15/16	11/32	6
2B6.2	6.55	5.8	6.2	3/32	1W	SDS	15/16	11/32	7
2B6.4	6.75	6.0	6.4	3/32	1W	SDS	15/16	11/32	7
2B6.6	6.95	6.2	6.6	3/32	1W	SDS	15/16	11/32	8
2B6.8	7.15	6.4	6.8	3/32	1W	SDS	15/16	11/32	8
2B7.0	7.35	6.6	7.0	11/32	6W	SK	115/16	5/32	9
2B7.4	7.75	7.0	7.4	11/32	6W	SK	115/16	5/32	10
2B8.0	8.35	7.6	8.0	11/32	6W	SK	115/16	5/32	11
2B8.6	8.95	8.2	8.6	11/32	6A	SK	115/16	5/32	12
2B9.0	9.35	8.6	9.0	11/32	6A	SK	115/16	5/32	12
2B9.4	9.75	9.0	9.4	11/32	6A	SK	115/16	5/32	13
2B11.0	11.35	10.6	11.0	11/32	6A	SK	115/16	5/32	15
2B12.4	12.75	12.0	12.4	11/32	6A	SK	115/16	5/32	18
2B13.6	13.95	13.2	13.6	11/32	6A	SK	115/16	5/32	24
2B15.4	15.75	15.0	15.4	11/32	6A	SK	115/16	5/32	25
2B16.0	16.35	15.6	16.0	11/32	6A	SK	115/16	5/32	25
2B18.4	18.75	18.0	18.4	11/32	6A	SK	115/16	5/32	38
2B20.0	20.35	19.6	20.0	15/32	6A	SF	2 1/16	5/32	47
2B25.0	25.35	24.6	25.0	15/32	6A	SF	2 1/16	5/32	60
2B30.0	30.35	29.6	30.0	15/32	6A	SF	2 1/16	5/32	75
2B38.0	38.35	37.6	38.0	15/32	6A	SF	2 1/16	5/32	100

L, H and E: Pulley dimensions vary according to shaft tolerance

B: QD Bushing type

T: Type. Suffix indicates construction : A = arms; B = block; W = web

Caution

Do not use these grey cast iron pulleys with rim speeds exceeding 6500 feet/min.

A/B COMBINATION PULLEYS

3 GROOVES

3 grooves (in)									
Part no.	O.D.	P.D.		F = 2 1/2"					
		A belt	B belt	H	T	B	L	E	Weight (lb)
3B3.4	3.75	3.0	3.4	11/16	11B	SH	15/16	1 7/8	3
3B3.6	3.95	3.2	3.6	11/16	11B	SH	15/16	1 7/8	4
3B3.8	4.15	3.4	3.8	11/16	11B	SH	15/16	1 7/8	4
3B4.0	4.35	3.6	4.0	11/16	11B	SH	15/16	1 7/8	4
3B4.2	4.55	3.8	4.2	15/32	1B	SH	15/16	23/32	4
3B4.4	4.75	4.0	4.4	15/32	1B	SH	15/16	23/32	5
3B4.6	4.95	4.2	4.6	15/32	1B	SD	113/16	7/32	5
3B4.8	5.15	4.4	4.8	15/32	1B	SD	113/16	7/32	6
3B5.0	5.35	4.6	5.0	15/32	1B	SD	113/16	7/32	7
3B5.2	5.55	4.8	5.2	15/32	1B	SD	113/16	7/32	7
3B5.4	5.75	5.0	5.4	15/32	1B	SD	113/16	7/32	8
3B5.6	5.95	5.2	5.6	15/32	1B	SD	113/16	7/32	9
3B5.8	6.15	5.4	5.8	15/32	1W	SD	113/16	7/32	9
3B6.0	6.35	5.6	6.0	15/32	1W	SD	113/16	7/32	10
3B6.2	6.55	5.8	6.2	15/32	1W	SD	113/16	7/32	10
3B6.4	6.75	6.0	6.4	15/32	1W	SD	113/16	7/32	10
3B6.6	6.95	6.2	6.6	15/32	1W	SD	113/16	7/32	10
3B6.8	7.15	6.4	6.8	15/32	1W	SD	113/16	7/32	11
3B7.0	7.35	6.6	7.0	3/32	6W	SK	115/16	21/32	12
3B7.4	7.75	7.0	7.4	3/32	6W	SK	115/16	21/32	12
3B8.0	8.35	7.6	8.0	3/32	6W	SK	115/16	21/32	13
3B8.6	8.95	8.2	8.6	3/32	6A	SK	115/16	21/32	14
3B9.0	9.35	8.6	9.0	3/32	6A	SK	115/16	21/32	15
3B9.4	9.75	9.0	9.4	3/32	6A	SK	115/16	21/32	17
3B11.0	11.35	10.6	11.0	3/32	6A	SK	115/16	21/32	21
3B12.4	12.75	12.0	12.4	3/32	6A	SK	115/16	21/32	25
3B13.6	13.95	13.2	13.6	3/32	6A	SK	115/16	21/32	28
3B15.4	15.75	15.0	15.4	3/32	6A	SK	115/16	21/32	30
3B16.0	16.35	15.6	16.0	3/32	6A	SK	115/16	21/32	32
3B18.4	18.75	18.0	18.4	3/32	6A	SK	115/16	21/32	41
3B20.0	20.35	19.6	20.0	7/32	6A	SF	2 1/16	21/32	54
3B25.0	25.35	24.6	25.0	7/32	6A	SF	2 1/16	21/32	67
3B30.0	30.35	29.6	30.0	7/32	6A	SF	2 1/16	21/32	86
3B38.0	38.35	37.6	38.0	1/2	6A	E	2 3/4	1/4	122

L, H and E: Pulley dimensions vary according to shaft tolerance

B: QD Bushing type

T: Type. Suffix indicates construction : A = arms; B = block; W = web

Caution

Do not use these grey cast iron pulleys with rim speeds exceeding 6500 feet/min.

A/B COMBINATION PULLEYS

4 GROOVES

4 grooves (in)									
Part no.	O.D.	P.D.		F = 3 1/4"					
		A belt	B belt	H	T	B	L	E	Weight (lb)
4B3.4	3.75	3.0	3.4	29/32	10B	SH	1 13/16	2 11/32	4
4B3.6	3.95	3.2	3.6	29/32	10B	SH	1 13/16	2 11/32	5
4B3.8	4.15	3.4	3.8	29/32	10B	SH	1 13/16	2 11/32	6
4B4.0	4.35	3.6	4.0	11/16	11B	SH	1 13/16	2 1/8	5
4B4.2	4.55	3.8	4.2	11/16	11B	SH	1 13/16	2 1/8	6
4B4.4	4.75	4.0	4.4	11/16	11B	SH	1 13/16	2 1/8	6
4B4.6	4.95	4.2	4.6	23/32	1B	SD	1 13/16	23/32	7
4B4.8	5.15	4.4	4.8	23/32	1B	SD	1 13/16	23/32	8
4B5.0	5.35	4.6	5.0	23/32	1B	SD	1 13/16	23/32	8
4B5.2	5.55	4.8	5.2	23/32	1B	SD	1 13/16	23/32	9
4B5.4	5.75	5.0	5.4	23/32	1B	SD	1 13/16	23/32	10
4B5.6	5.95	5.2	5.6	23/32	1B	SD	1 13/16	23/32	10
4B5.8	6.15	5.4	5.8	23/32	1W	SD	1 13/16	23/32	11
4B6.0	6.35	5.6	6.0	23/32	1W	SD	1 13/16	23/32	11
4B6.2	6.55	5.8	6.2	23/32	1W	SD	1 13/16	23/32	12
4B6.4	6.75	6.0	6.4	23/32	1W	SD	1 13/16	23/32	11
4B6.6	6.95	6.2	6.6	23/32	1W	SD	1 13/16	23/32	11
4B6.8	7.15	6.4	6.8	23/32	1W	SD	1 13/16	23/32	12
4B7.0	7.35	6.6	7.0	7/32	1W	SK	1 15/16	13/32	13
4B7.4	7.75	7.0	7.4	7/32	1W	SK	1 15/16	13/32	15
4B8.0	8.35	7.6	8.0	7/32	1W	SK	1 15/16	13/32	15
4B8.6	8.95	8.2	8.6	7/32	1A	SK	1 15/16	13/32	17
4B9.0	9.35	8.6	9.0	7/32	1A	SK	1 15/16	13/32	17
4B9.4	9.75	9.0	9.4	7/32	1A	SK	1 15/16	13/32	19
4B11.0	11.35	10.6	11.0	7/32	1A	SK	1 15/16	13/32	25
4B12.4	12.75	12.0	12.4	7/32	1A	SK	1 15/16	13/32	28
4B13.6	13.95	13.2	13.6	7/32	1A	SK	1 15/16	13/32	32
4B15.4	15.75	15.0	15.4	5/32	1A	SF	2 1/16	11/32	38
4B16.0	16.35	15.6	16.0	5/32	1A	SF	2 1/16	11/32	41
4B18.4	18.75	18.0	18.4	5/32	1A	SF	2 1/16	11/32	56
4B20.0	20.35	19.6	20.0	5/32	1A	SF	2 1/16	11/32	60
4B25.0	25.35	24.6	25.0	-1/8	1A	E	2 3/4	5/8	75
4B30.0	30.35	29.6	30.0	-1/8	1A	E	2 3/4	5/8	120
4B38.0	38.35	37.6	38.0	-1/8	1A	E	2 3/4	5/8	127

L, H and E: Pulley dimensions vary according to shaft tolerance

B: QD Bushing type

T: Type. Suffix indicates construction : A = arms; B = block; W = web

Caution

Do not use these grey cast iron pulleys with rim speeds exceeding 6500 feet/min.

A/B COMBINATION PULLEYS

5 GROOVES

5 grooves (in)									
Part no.	O.D.	P.D.		F = 4"					
		A belt	B belt	H	T	B	L	E	Weight (lb)
5B3.4	3.75	3.0	3.4	29/32	10B	SD	1 13/16	3 3/32	5
5B3.6	3.95	3.2	3.6	29/32	10B	SD	1 13/16	3 3/32	6
5B3.8	4.15	3.4	3.8	29/32	10B	SD	1 13/16	3 3/32	6
5B4.0	4.35	3.6	4.0	11/16	11B	SD	1 13/16	2 7/8	6
5B4.2	4.55	3.8	4.2	11/16	11B	SD	1 13/16	2 7/8	7
5B4.4	4.75	4.0	4.4	11/16	11B	SD	1 13/16	2 7/8	7
5B4.6	4.95	4.2	4.6	23/32	1B	SD	1 13/16	1 15/32	7
5B4.8	5.15	4.4	4.8	23/32	1B	SD	1 13/16	1 15/32	9
5B5.0	5.35	4.6	5.0	23/32	1B	SD	1 13/16	1 15/32	10
5B5.2	5.55	4.8	5.2	23/32	1W	SD	1 13/16	1 15/32	10
5B5.4	5.75	5.0	5.4	23/32	1W	SK	1 15/16	1 17/32	10
5B5.6	5.95	5.2	5.6	17/32	1W	SK	1 15/16	1 17/32	11
5B5.8	6.15	5.4	5.8	17/32	1W	SK	1 15/16	1 17/32	12
5B6.0	6.35	5.6	6.0	17/32	1W	SK	1 15/16	1 17/32	12
5B6.2	6.55	5.8	6.2	17/32	1W	SK	1 15/16	1 17/32	14
5B6.4	6.75	6.0	6.4	17/32	1W	SK	1 15/16	1 17/32	14
5B6.6	6.95	6.2	6.6	17/32	1W	SK	1 15/16	1 17/32	15
5B6.8	7.15	6.4	6.8	17/32	1W	SK	1 15/16	1 17/32	16
5B7.0	7.35	6.6	7.0	15/32	1W	SF	2 1/16	1 15/32	16
5B7.4	7.75	7.0	7.4	15/32	1W	SF	2 1/16	1 15/32	18
5B8.0	8.35	7.6	8.0	15/32	1W	SF	2 1/16	1 15/32	19
5B8.6	8.95	8.2	8.6	15/32	1W	SF	2 1/16	1 15/32	21
5B9.0	9.35	8.6	9.0	15/32	1W	SF	2 1/16	1 15/32	21
5B9.4	9.75	9.0	9.4	15/32	1A	SF	2 1/16	1 15/32	22
5B11.0	11.35	10.6	11.0	15/32	1A	SF	2 1/16	1 15/32	29
5B12.4	12.75	12.0	12.4	15/32	1A	SF	2 1/16	1 15/32	33
5B13.6	13.95	13.2	13.6	15/32	1A	SF	2 1/16	1 15/32	39
5B15.4	15.75	15.0	15.4	15/32	1A	SF	2 1/16	1 15/32	43
5B16.0	16.35	15.6	16.0	15/32	1A	SF	2 1/16	1 15/32	46
5B18.4	18.75	18.0	18.4	15/32	1A	SF	2 1/16	1 15/32	54
5B20.0	20.35	19.6	20.0	1/8	1A	E	2 3/4	1 1/8	79
5B25.0	25.35	24.6	25.0	1/8	1A	E	2 3/4	1 1/8	89
5B30.0	30.35	29.6	30.0	1/8	1A	E	2 3/4	1 1/8	110
5B38.0	38.35	37.6	38.0	1/8	1A	E	2 3/4	1 1/8	153

L, H and E: Pulley dimensions vary according to shaft tolerance

B: QD Bushing type

T: Type. Suffix indicates construction : A = arms; B = block; W = web

Caution

Do not use these grey cast iron pulleys with rim speeds exceeding 6500 feet/min.

A/B COMBINATION PULLEYS

6 GROOVES

6 grooves (in)									
Part no.	O.D.	P.D.		F = 4 3/4"					
		A belt	B belt	H	T	B	L	E	Weight (lb)
6B3.4	3.75	3.0	3.4	29/32	10B	SD	1 13/16	3 27/32	6
6B3.6	3.95	3.2	3.6	29/32	10B	SD	1 13/16	3 27/32	7
6B3.8	4.15	3.4	3.8	29/32	10B	SD	1 13/16	3 27/32	7
6B4.0	4.35	3.6	4.0	11/16	11B	SD	1 13/16	3 5/8	7
6B4.2	4.55	3.8	4.2	11/16	11B	SD	1 13/16	3 5/8	8
6B4.4	4.75	4.0	4.4	11/16	11B	SD	1 13/16	3 5/8	9
6B4.6	4.95	4.2	4.6	23/32	1W	SD	1 13/16	2 7/32	9
6B4.8	5.15	4.4	4.8	23/32	1W	SD	1 13/16	2 7/32	10
6B5.0	5.35	4.6	5.0	23/32	1W	SD	1 13/16	2 7/32	11
6B5.2	5.55	4.8	5.2	23/32	1W	SD	1 13/16	2 7/32	11
6B5.4	5.75	5.0	5.4	17/32	1W	SK	1 15/16	2 9/32	11
6B5.6	5.95	5.2	5.6	17/32	1W	SK	1 15/16	2 9/32	11
6B5.8	6.15	5.4	5.8	17/32	1W	SK	1 15/16	2 9/32	14
6B6.0	6.35	5.6	6.0	17/32	1W	SK	1 15/16	2 9/32	15
6B6.2	6.55	5.8	6.2	17/32	1W	SK	1 15/16	2 9/32	15
6B6.4	6.75	6.0	6.4	17/32	1W	SK	1 15/16	2 9/32	16
6B6.6	6.95	6.2	6.6	17/32	1W	SK	1 15/16	2 9/32	17
6B6.8	7.15	6.4	6.8	17/32	1W	SK	1 15/16	2 9/32	18
6B7.0	7.35	6.6	7.0	29/32	1W	SF	2 1/16	1 25/32	19
6B7.4	7.75	7.0	7.4	29/32	1W	SF	2 1/16	1 25/32	20
6B8.0	8.35	7.6	8.0	29/32	1W	SF	2 1/16	1 25/32	24
6B8.6	8.95	8.2	8.6	29/32	1W	SF	2 1/16	1 25/32	26
6B9.0	9.35	8.6	9.0	--	--	--	--	--	--
6B9.4	9.75	9.0	9.4	29/32	1A	SF	2 1/16	1 25/32	30
6B11.0	11.35	10.6	11.0	29/32	1A	SF	2 1/16	1 25/32	30
6B12.4	12.75	12.0	12.4	29/32	1A	SF	2 1/16	1 25/32	37
6B13.6	13.95	13.2	13.6	29/32	1A	SF	2 1/16	1 25/32	39
6B15.4	15.75	15.0	15.4	29/32	1A	SF	2 1/16	1 25/32	43
6B16.0	16.35	15.6	16.0	29/32	1A	SF	2 1/16	1 25/32	50
6B18.4	18.75	18.0	18.4	29/32	1A	SF	2 1/16	1 25/32	59
6B20.0	20.35	19.6	20.0	1/4	1A	E	2 3/4	1 3/4	80
6B25.0	25.35	24.6	25.0	1/4	1A	E	2 3/4	1 3/4	89
6B30.0	30.35	29.6	30.0	1/4	1A	E	2 3/4	1 3/4	127
6B38.0	38.35	37.6	38.0	1/4	1A	E	2 3/4	1 3/4	157

L, H and E: Pulley dimensions vary according to shaft tolerance

B: QD Bushing type

T: Type. Suffix indicates construction : A = arms; B = block; W = web

Caution

Do not use these grey cast iron pulleys with rim speeds exceeding 6500 feet/min.

A/B COMBINATION PULLEYS

7 GROOVES

7 grooves (in)									
Part no.	O.D.	P.D.		F = 5 1/2"					
		A belt	B belt	H	T	B	L	E	Weight (lb)
7B5.4	5.75	5.0	5.4	11/32	1W	SK	1 15/16	2 17/32	13
7B5.6	5.95	5.2	5.6	11/32	1W	SK	1 15/16	2 17/32	15
7B5.8	6.15	5.4	5.8	11/32	1W	SK	1 15/16	2 17/32	15
7B6.0	6.35	5.6	6.0	31/32	1W	SF	2 1/16	2 15/32	14
7B6.2	6.55	5.8	6.2	31/32	1W	SF	2 1/16	2 15/32	16
7B6.4	6.75	6.0	6.4	31/32	1W	SF	2 1/16	2 15/32	17
7B6.6	6.95	6.2	6.6	31/32	1W	SF	2 1/16	2 15/32	17
7B6.8	7.15	6.4	6.8	31/32	1W	SF	2 1/16	2 15/32	18
7B7.0	7.35	6.6	7.0	31/32	1W	SF	2 1/16	2 15/32	20
7B7.4	7.75	7.0	7.4	31/32	1W	SF	2 1/16	2 15/32	23
7B8.0	8.35	7.6	8.0	--	--	--	--	--	--
7B8.6	8.95	8.2	8.6	7/8	1W	E	2 3/4	1 7/8	31
7B9.0	9.35	8.6	9.0	7/8	1W	E	2 3/4	1 7/8	34
7B9.4	9.75	9.0	9.4	7/8	1W	E	2 3/4	1 7/8	36
7B11.0	11.35	10.6	11.0	7/8	1A	E	2 3/4	1 7/8	42
7B12.4	12.75	12.0	12.4	7/8	1A	E	2 3/4	1 7/8	49
7B13.6	13.95	13.2	13.6	7/8	1A	E	2 3/4	1 7/8	57
7B15.4	15.75	15.0	15.4	7/8	1A	E	2 3/4	1 7/8	70
7B16.0	16.35	15.6	16.0	5/32	1A	F	3 5/8	1 23/32	80
7B18.4	18.75	18.0	18.4	5/32	1A	F	3 5/8	1 23/32	97
7B20.0	20.35	19.6	20.0	5/32	1A	F	3 5/8	1 23/32	117
7B25.0	25.35	24.6	25.0	5/32	1A	F	3 5/8	1 23/32	155
7B30.0	30.35	29.6	30.0	5/32	1A	F	3 5/8	1 23/32	205

L, H and E: Pulley dimensions vary according to shaft tolerance

B: QD Bushing type

T: Type. Suffix indicates construction : A = arms; B = block; W = web

Caution

Do not use these grey cast iron pulleys with rim speeds exceeding 6500 feet/min.

A/B COMBINATION PULLEYS

8 GROOVES

Part no.	O.D.	8 grooves (in)							Weight (lb)
		P.D.		F = 6 1/4"					
		A belt	B belt	H	T	B	L	E	
8B5.4	5.75	5.0	5.4	11/32	1W	SK	1 15/16	3 9/32	15
8B5.6	5.95	5.2	5.6	11/32	1W	SK	1 15/16	3 9/32	15
8B5.8	6.15	5.4	5.8	11/32	1W	SF	2 1/16	3 9/32	16
8B6.0	6.35	5.6	6.0	29/32	1W	SF	2 1/16	3 9/32	16
8B6.2	6.55	5.8	6.2	29/32	1W	SF	2 1/16	3 9/32	18
8B6.4	6.75	6.0	6.4	29/32	1W	SF	2 1/16	3 9/32	19
8B6.6	6.95	6.2	6.6	29/32	1W	SF	2 1/16	3 9/32	20
8B6.8	7.15	6.4	6.8	29/32	1W	SF	2 1/16	3 9/32	19
8B7.0	7.35	6.6	7.0	29/32	1W	SF	2 1/16	3 9/32	22
8B7.4	7.75	7.0	7.4	29/32	1W	SF	2 1/16	3 9/32	25
8B8.0	8.35	7.6	8.0	1 1/4	1W	E	2 3/4	2 1/4	29
8B8.6	8.95	8.2	8.6	1 1/4	1W	E	2 3/4	2 1/4	33
8B9.0	9.35	8.6	9.0	1 1/4	1W	E	2 3/4	2 1/4	36
8B9.4	9.75	9.0	9.4	1 1/4	1W	E	2 3/4	2 1/4	46
8B11.0	11.35	10.6	11.0	1 1/4	1A	E	2 3/4	2 1/4	53
8B12.4	12.75	12.0	12.4	1 1/4	1A	E	2 3/4	2 1/4	59
8B13.6	13.95	13.2	13.6	1 1/4	1A	E	2 3/4	2 1/4	69
8B15.4	15.75	15.0	15.4	1 1/4	1A	E	2 3/4	2 1/4	71
8B16.0	16.35	15.6	16.0	5/32	1A	F	3 5/8	2 15/32	108
8B18.4	18.75	18.0	18.4	5/32	1A	F	3 5/8	2 15/32	114
8B20.0	20.35	19.6	20.0	5/32	1A	F	3 5/8	2 15/32	125
8B25.0	25.35	24.6	25.0	5/32	1A	F	3 5/8	2 15/32	165
8B30.0	30.35	29.6	30.0	5/32	1A	F	3 5/8	2 15/32	215

L, H and E: Pulley dimensions vary according to shaft tolerance

B: QD Bushing type

T: Type. Suffix indicates construction : A = arms; B = block; W = web

Caution

Do not use these grey cast iron pulleys with rim speeds exceeding 6500 feet/min.



CONTRIBUTING TO PEOPLE'S QUALITY OF LIFE, EVERY DAY.



TIMING PULLEYS

- Type 1 (with guard) and type 2 (without guard)
- Bushing or fixed bore
- 10 to 96 teeth
- Outside diameter of up to 290.30



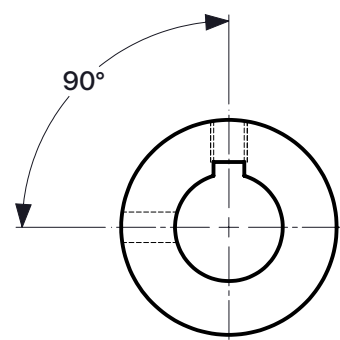
TIMING PULLEYS

TIMING PULLEYS

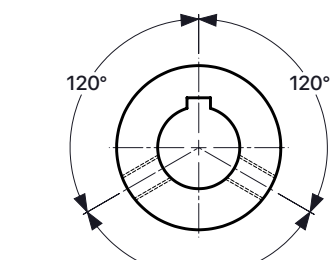
Part no.	Type	No. of teeth	O.D.	P.D.	F.D.	H	F	L	Stock bore	Max. bore w/kw and S.S. (in)		S.S. size
			mm	mm	mm	mm	mm	mm		in	90° S.S.	
10L050	1 or 2	10	29.56	30.33	37.0	23	19	28	5/16	7/16	1/2	1/4-28 UNF
11L050	1 or 2	11	32.59	33.35	37.0	23	19	30	5/16	7/16	1/2	1/4-28 UNF
12L050	1 or 2	12	35.62	36.37	43.0	29	19	30	5/16	9/16	3/4	1/4-28 UNF
13L050	1 or 2	13	38.65	39.41	43.0	29	19	30	5/16	9/16	3/4	1/4-28 UNF
14L050	1 or 2	14	41.68	42.44	48.0	35	19	30	3/8	13/16	1	1/4-28 UNF
15L050	1 or 2	15	44.72	45.48	51.0	35	19	30	3/8	13/16	1	1/4-28 UNF
16L050	1 or 2	16	47.75	48.51	54.0	40	19	32	3/8	13/16	1 3/16	1/4-28 UNF
17L050	1 or 2	17	50.78	51.54	57.0	40	19	32	3/8	13/16	1 3/16	1/4-20 UNC
18L050	1 or 2	18	53.81	54.59	60.0	40	19	32	3/8	13/16	1 3/16	1/4-20 UNC
19L050	1 or 2	19	56.84	57.61	64.0	40	19	32	3/8	13/16	1 3/16	1/4-20 UNC
20L050	1 or 2	20	59.88	60.63	66.5	40	19	32	3/8	13/16	1 3/16	1/4-20 UNC
21L050	1 or 2	21	62.91	63.68	70.0	45	19	32	3/8	11/16	15/16	1/4-20 UNC
22L050	1 or 2	22	65.94	66.70	75.0	45	19	32	3/8	11/16	15/16	1/4-20 UNC
23L050	1 or 2	23	68.97	69.73	79.0	55	19	32	3/8	13/8	1 3/4	1/4-20 UNC
24L050	1 or 2	24	72.00	72.77	79.0	55	19	32	3/8	13/8	1 3/4	1/4-20 UNC
25L050	1 or 2	25	75.04	75.80	82.5	58	19	32	3/8	11/2	1 7/8	1/4-20 UNC
26L050	1 or 2	26	78.07	78.84	86.0	58	19	32	1/2	11/2	1 7/8	1/4-20 UNC
27L050	1 or 2	27	81.10	81.86	87.0	58	19	32	1/2	11/2	1 7/8	1/4-20 UNC
28L050	1 or 2	28	84.13	84.89	91.0	58	19	32	1/2	11/2	1 7/8	1/4-20 UNC

Dimension "H" for pulleys 10L050 to 16L050 is a max. hub diameter.

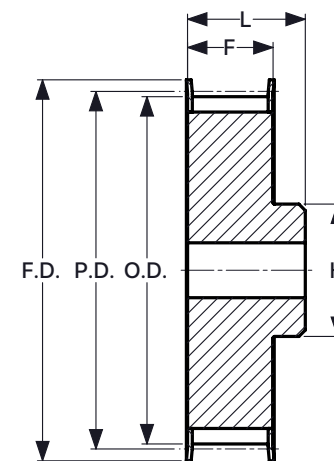
If flange is required (type 1 & 5), add "F" at the end of part number.



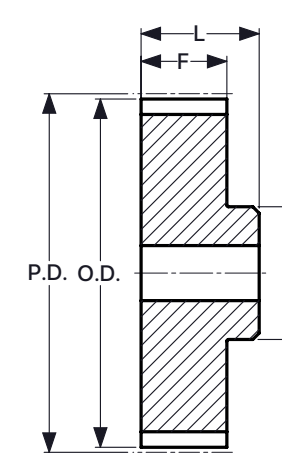
90° S.S.



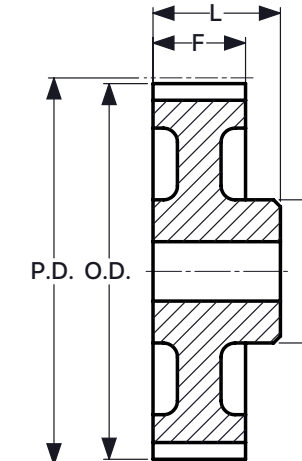
120° S.S.



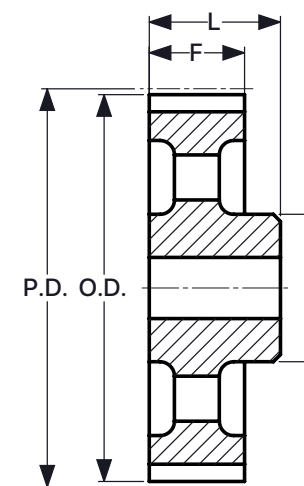
Type 1
(Mat'l: SAE 1045)



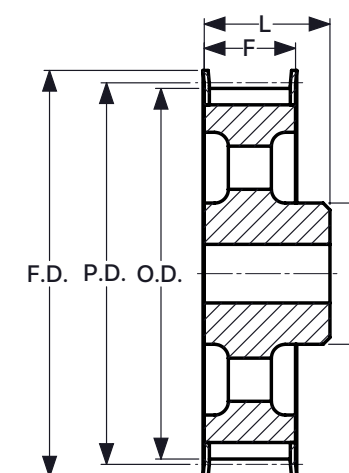
Type 2
(Mat'l: SAE 1045)



Type 3
(Mat'l: SAE 1045)



Type 4
(Mat'l: Cast iron)



Type 5
(Mat'l: Cast iron)

TIMING PULLEYS

TIMING PULLEYS

Part no.	Type	No. of teeth	O.D.	P.D.	F.D.	H	F	L	Stock bore	Max. bore w/kw and S.S. (in)		S.S. size
			mm	mm	mm	mm	mm	mm		in	90° S.S.	120° S.S.
30L050	1 or 2	30	90.20	90.96	97	70	19	32	1/2	1 13/16	2 1/4	1/4-20 UNC
32L050	1 or 2	32	96.26	97.03	102	70	19	32	1/2	1 13/16	2 1/4	1/4-20 UNC
33L050	1 or 2	33	99.29	100.05	106	70	19	32	1/2	1 13/16	2 1/4	1/4-20 UNC
34L050	1 or 2	34	103.32	103.08	112	70	19	32	1/2	1 13/16	2 1/4	1/4-20 UNC
35L050	1 or 2	35	105.35	106.12	112	70	19	32	1/2	1 13/16	2 1/4	1/4-20 UNC
36L050	1 or 2	36	108.39	109.14	115	70	19	32	1/2	1 13/16	2 1/4	1/4-20 UNC
40L050	1 or 2	40	120.51	121.29	128	70	19	32	1/2	1 13/16	2 1/4	1/4-20 UNC
42L050	1 or 2	42	126.57	127.34	135	70	19	32	1/2	1 13/16	2 1/4	1/4-20 UNC
44L050	1 or 2	44	132.64	133.40	142	70	19	32	1/2	1 13/16	2 1/4	1/4-20 UNC
45L050	1 or 2	45	135.67	136.44	142	70	19	32	1/2	1 13/16	2 1/4	1/4-20 UNC
48L050	1 or 2	48	144.77	145.54	150	70	19	32	1/2	1 13/16	2 1/4	1/4-20 UNC
50L050	4	50	150.83	151.60	-	70	19	32	9/16	1 13/16	2 1/4	1/4-20 UNC
56L050	4	56	169.02	169.79	-	70	19	32	9/16	1 13/16	2 1/4	1/4-20 UNC
57L050	4	57	172.06	172.82	-	70	19	32	9/16	1 13/16	2 1/4	1/4-20 UNC
60L050	4	60	181.15	181.92	-	75	19	42	9/16	2	2 7/16	1/4-20 UNC
68L050	4	68	205.41	206.18	-	75	19	42	9/16	2	2 7/16	1/4-20 UNC
70L050	4	70	211.47	212.24	-	75	19	42	9/16	2	2 7/16	1/4-20 UNC
72L050	4	75	217.53	218.29	-	75	19	42	9/16	2	2 7/16	1/4-20 UNC
84L050	4	84	253.92	254.69	-	75	19	42	9/16	2	2 7/16	1/4-20 UNC
96L050	4	96	290.30	291.06	-	75	19	42	9/16	2	2 7/16	1/4-20 UNC

If flange is required (type 1 & 5), add "F" at the end of part number.

These tables represent only a sample of the part numbers Canimex can provide.

Contact us for information on all timing pulley models not included in this table.



TIMING PULLEYS

QD BUSHING

Bushing	Dimensions in (mm)								
	A	B	D	E	F	G	H	L	M
L	11/32	15/8	2 1/2	1	29/32	3/16	3/32	1 11/32	2
	(8.71)	(41.275)	(63.5)	(25.4)	(23.018)	(4.76)	(2.38)	(24.13)	(50.8)
JA	5/16	1 3/8	2	11/16	5/8	13/64	9/64	1	1 21/32
	(7.93)	(34.92)	(50.8)	(17.46)	(0.625)	(5.15)	(3.57)	(25.4)	(42.06)
SH	3/8	1 7/8	2 11/16	7/8	3/4	1/4	1/8	1 1/4	2 1/4
	(9.52)	(47.62)	(68.26)	(22.22)	(19.05)	(6.35)	(3.175)	(31.75)	(57.15)
SDS	7/16	2 3/16	3 3/16	7/8	3/4	1/4	1/8	1 5/16	2 11/16
	(11.11)	(55.56)	(80.96)	(22.22)	(19.05)	(6.35)	(3.175)	(33.33)	(68.26)
SD	7/16	2 3/16	3 3/16	1 3/8	1 1/4	1/4	1/8	1 13/16	2 11/16
	(11.11)	(55.56)	(80.96)	(34.92)	(31.75)	(6.35)	(3.175)	(46.03)	(68.26)
SK	1/2	2 3/16	3 7/8	1 3/8	1 1/4	5/16	3/16	1 7/8	3 5/16
	(12.7)	(55.56)	(98.42)	(34.92)	(31.75)	(7.93)	(4.76)	(47.62)	(84.13)
SF	1/2	1 3/8	4 5/8	1 1/2	1 1/4	5/16	1/16	2	3 7/8
	(12.7)	(34.92)	(15.87)	(38.1)	(31.75)	(7.93)	(1.58)	(50.8)	(98.42)
E	3/4	3 27/32	6	1 7/8	1 5/8	5/16	1/16	2 5/8	5
	(19.05)	(21.43)	(152.4)	(47.6)	(41.27)	(7.93)	(1.58)	(66.67)	(127)
F	13/16	4 7/16	6 5/8	2 13/16	2 1/2	13/32	3/32	3 5/8	5 5/8
	(4.74)	(112.699)	(168.275)	(71.42)	(63.5)	(10.31)	(2.36)	(92.75)	(142.875)
J	1	5 5/32	7 1/4	3 1/2	3 3/16	13/32	3/32	4 1/2	6 1/4
	(25.4)	(130.96)	(184.15)	(88.9)	(80.97)	(10.31)	(2.36)	(114.3)	(158.75)
M	1 1/4	6 1/2	9 1/8	5 1/2	5 3/16	13/32	3/32	6 3/4	7 7/8
	(31.75)	(165.1)	(231.775)	(139.7)	(131.7)	(10.31)	(2.36)	(171.45)	(200.025)
N	1 1/2	7	10	6 5/8	6 1/4	9/16	3/16	8 1/8	8 1/2
	(38.1)	(177.8)	(254)	(168.27)	(158.75)	(14.28)	(4.76)	(206.375)	(215.9)
P	1 3/4	8 1/4	11 3/4	7 5/8	7 1/4	5/8	1/4	9 3/8	10
	(44.45)	(209.55)	(298.45)	(193.67)	(184.15)	(15.87)	(6.35)	(238.125)	(254)
W	2	10 7/16	15	9 3/8	9	5/8	1/4	11 3/8	12 3/4
	(50.8)	(265.11)	(381)	(238.12)	(228.6)	(15.87)	(6.35)	(288.925)	(323.85)
S	3 1/4	12 1/8	17 3/4	12 1/2	12	13/16	5/16	15 3/4	15
	(82.55)	(307.975)	(450.85)	(317.5)	(304.8)	(20.63)	(7.93)	(400.05)	(381)
SX5**	3 1/4	12 1/2	17 3/4	12 1/2	12	13/16	5/16	15 3/4	15
	(82.55)	(317.5)	(450.85)	(317.5)	(304.8)	(20.63)	(7.93)	(400.05)	(381)
SX7-1/2**	3 1/4	12 1/8	17 3/4	12 1/2	12	13/16	5/16	15 3/4	15
	(82.55)	(307.975)	(450.85)	(317.5)	(304.8)	(20.63)	(7.93)	(400.05)	(381)
Z	2 5/8	16	22	9 3/8	9	3/4	3/8	12	19
	(66.67)	(406.4)	(558)	(238.125)	(228.6)	(19.05)	(9.52)	(304.8)	(482.6)

Cap screws required NC grade 5	Set screw dimensions	Bore range in (mm)	
		in	Max.
2=1/4X7/8	10-24 UNC x 1/4	3/8	1 1/2
		(9.52)	(38.1)
3=10-24X1	10-24 UNC x 1/4	1/2	1 1/4
		(12.7)	(31.75)
3=1/4X1-3/8	1/4-20 UNC x 1/4	1/2	1-11/16
		(12.7)	(42.86)
3=1/4X1-3/8	1/4-20 UNC x 1/4	1/2	2
		(12.7)	(50.8)
3=1/4X1-3/8	1/4-20 UNC x 1/4	1/2	2
		(12.7)	(50.8)
3=5/16X2	1/4-20 UNC x 1/4	1/2	2 5/8
		(12.7)	(66.67)
3=3/8X2	5/16-18 UNC x 3/8	1/2	2 15/16
		(12.7)	(74.61)
3=1/2X2-3/4	3/8-16 UNC X 3/8	7/8	3 1/2
		(22.22)	(88.9)
3=9/16X3-5/8	3/8-16 UNC X 3/8	1	4
		(25.4)	(101.6)
3=5/8X4-1/2	3/8-16 UNC X 3/8	1 7/16	4 1/2
		(36.51)	(114.3)
4=3/4x7	3/8-16 UNC x 1/2	2	5 1/2
		(50.8)	(139.7)
4=7/8X8	1/2-13 UNC x 5/8	2 3/4	6
		(69.85)	(152.4)
4=1X9-1/2	5/8-11 UNC x 1 1/4	2 15/16	7
		(74.61)	(177.8)
4=1-1/8X11-1/2	1-8 UNC X 1 1/2	4 1/4	8 1/2
		(107.95)	(215.9)
5=1-1/4X15-1/2	1-1/4-7 UNC X 2	5 1/2	10
		(139.7)	(254)
5=1-1/4X15-1/2	1-1/4-7 UNC X 2	---	---
		---	---
5=1-1/4X15-1/2	1-1/4-7 UNC X 2	---	---
		---	---
5=1-1/4X12	1-8 UNC X 1/2	7	12
		(177.8)	(304.8)

QD BUSHING PROPER TORQUE WRENCH

- Many different types
- Length open end from 4" to 30"
- Torque capacity of up to 625,000 lb-in



QD BUSHING PROPER TORQUE WRENCH

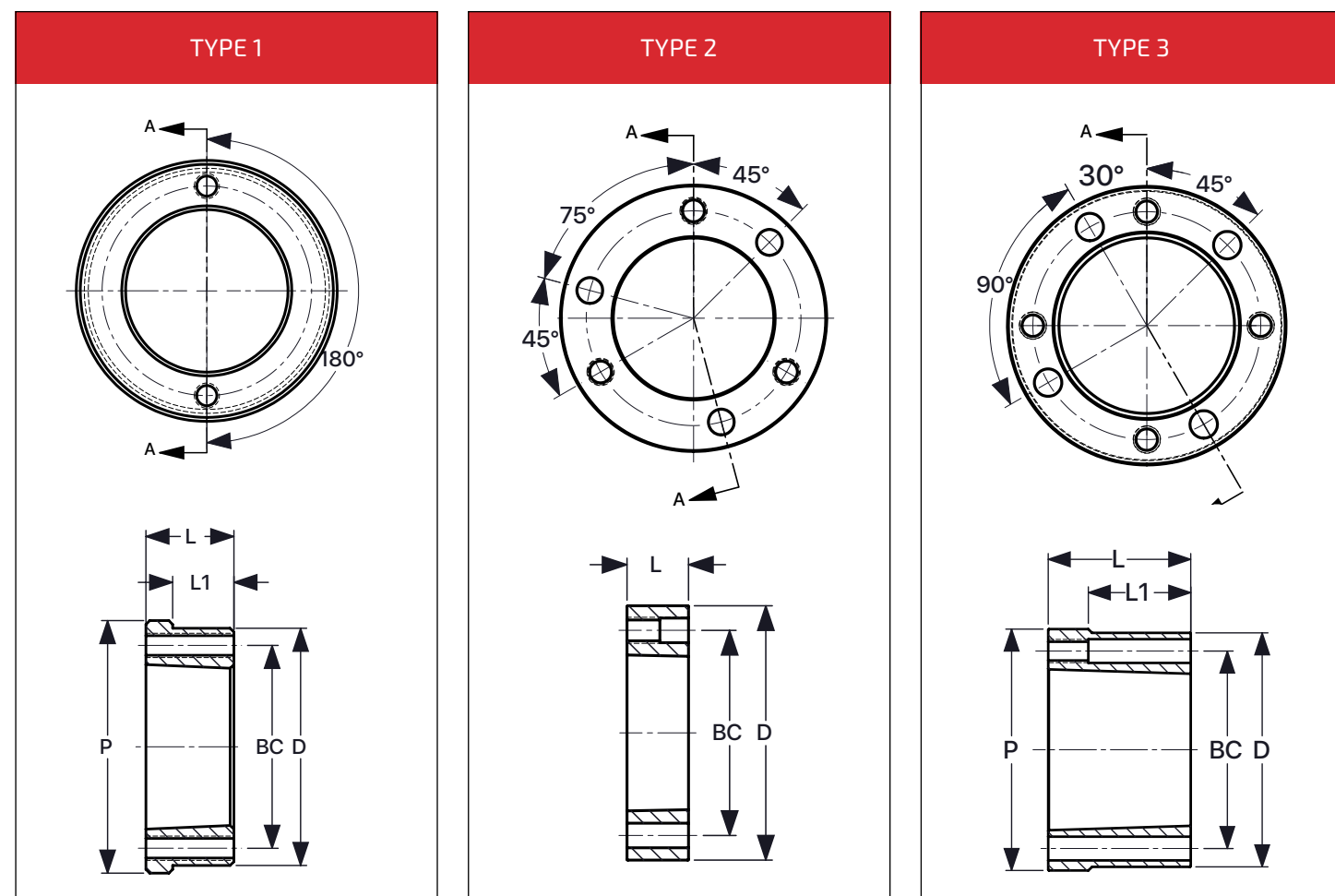
QD WELD-ON HUBS

Part no.	Fits bushing	Type	Dimensions (in)					Bore range	Weight
			D*	L	P	L1	BC		
H-L	L	1	2.375	0.88	2.50	0.17	2	3/8 to 1 1/2	0.6
H-CL	L	1	2.375	0.88	2.50	0.63	2	3/8 to 1 1/2	0.6
H-JA	JA	2	2.250	0.56	---	---	1 21/32	1/2 to 1 1/4	0.4
H-SH	SH	2	3.000	0.81	---	---	2 1/4	1/2 to 1 11/16	1
H-SDS	SDS	2	3.500	0.75	---	---	2 11/16	1/2 to 2	1.2
H-SK	SK	2	4.375	1.25	---	---	3 5/16	1/2 to 2 5/8	3
H-SF	SF	2	5.000	1.25	---	---	3 7/8	1/2 to 2 15/16	4
H-E	E	2	6.250	1.63	---	---	5	7/8 to 3 1/2	8.3
H-F	F	2	7.000	2.50	---	---	5 5/8	1 to 4	15.5
H-J	J	2	7.750	3.19	---	---	6 1/4	1 7/16 to 4 1/2	22.7
H-M	M	3	9.250	5.19	9.50	3.56	7 7/8	2 to 5 1/2	50
H-N	N	3	10.250	6.25	10.50	4.50	8 1/2	2 3/4 to 6	77
H-P \diamond	P	2	13.000	7.25	---	---	10	2 15/16 to 7	155
H-W \diamond	W	2	15.500	9.00	---	---	12 3/4	4 1/4 to 8 1/2	260

Mounting: Type 1: Reverse mount only Type 2 & 3: Standard and reverse mount \diamond : Standard mount only

*Tolerance: H-L and H-CL = (+0.001"/-0.005") H-JA thru H-J = (+0.000"/-0.002") H-M thru H-W = (+0.000"/-0.003")

Parts on demand only



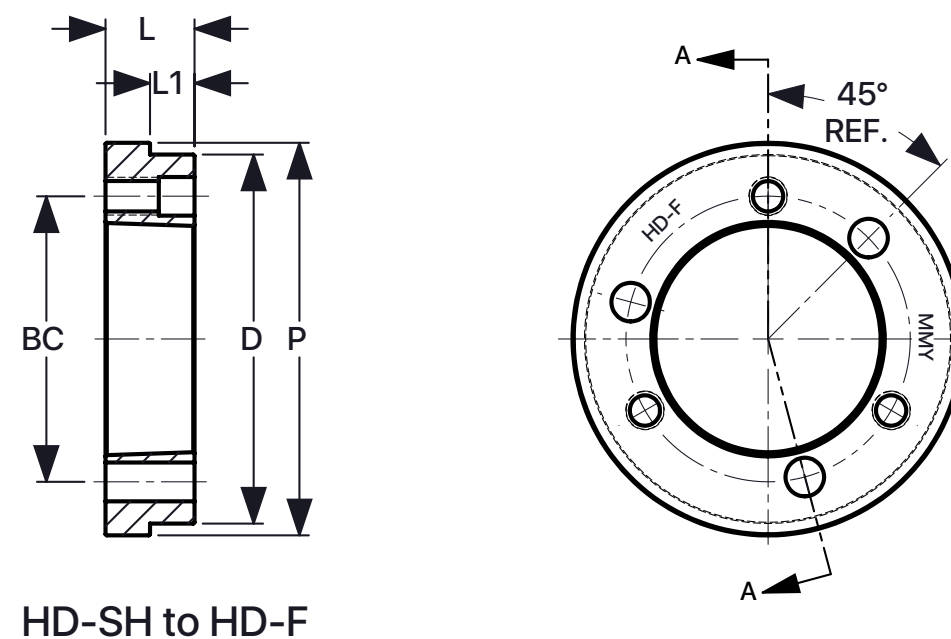
QD BUSHING PROPER TORQUE WRENCH

QD WELD-ON HUBS

Part no.	Fits bushing	Dimensions (in)					Bore range	Weight
		D*	L	P	L1	BC		
HD-SH	SH	2.8125	0.750	3.063	0.375	2 1/4	1/2 to 1 11/16	0.87
HD-SDS	SDS	3.375	0.750	3.625	0.375	2 11/16	1/2 to 2	1.27
HD-SK	SK	4.375	1.125	4.750	0.500	3 5/16	1/2 to 2 5/8	3.34
HD-SF	SF	5.000	1.250	5.250	0.625	3 7/8	1/2 to 2 15/16	4.67
HD-E	E	6.250	1.500	6.500	0.875	5	7/8 to 3 1/2	8.72
HD-F	F	6.625	1.750	6.938	1.063	5 5/8	1 to 4	10.3

*Tolerance = +0.000"/-0.002"

Parts on demand only



HD-SH to HD-F