

P.T.O.

- Complete line of drivelines
- Long lubrication interval
- Wide selection of accessories
- Miscellaneous applications



TABLE OF CONTENTS

P.T.O.

E series – Complete assembly	72
T series – Complete assembly	72
V series – Complete assembly	73

AGRICULTURAL YOKES

Slide collar yoke	76
Shear bolt torque limiter B	77
Overrunning clutch R	78
Disc clutch torque limiter RF	79

CROSS AND BEARING KITS

V-T CVJ series	82
V series	82
T series	82

SAFETY GUARD

Complete guard	86
Cones	87

HIGH-SPEED P.T.O. - CNX

Technical specifications	92
HSR10 series	93
HSR20 series	94
HSS20 series	95
Yokes	96

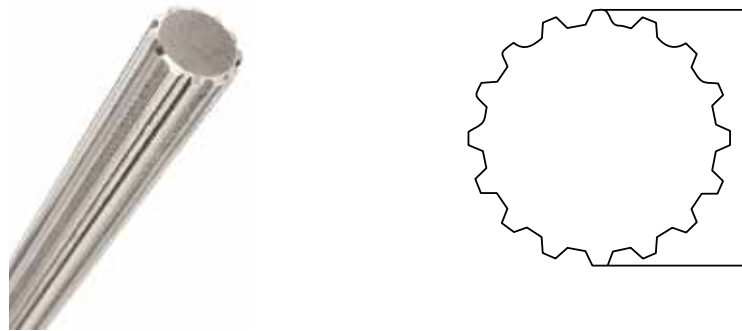
P.T.O.

- Up to 50 hours greasing interval
- Centralized greasing system
- Complete line of drivelines: E, T, V series
- 540 to 1,000 RPM
- Models available from 10 to 120 type
- Models from 12 to 221 kW
- Models from 16 to 300 HP



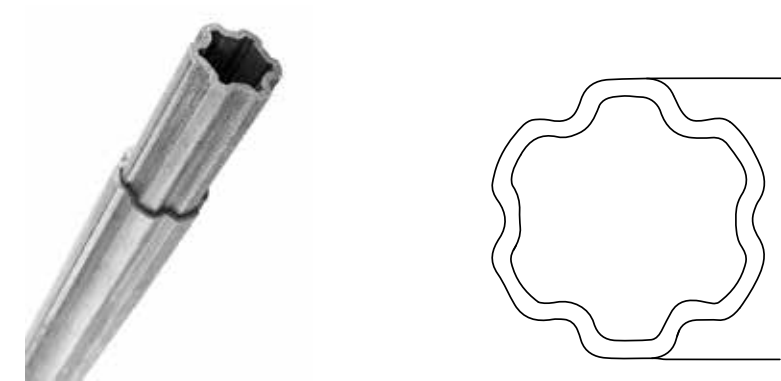
E SERIES – Complete assembly – Performance at 540 and 1000 RPM

Type	540 RPM	1000 RPM
	HP	HP
40	35	55
50	47	74
60	64	100
80	95	150
90	120	190



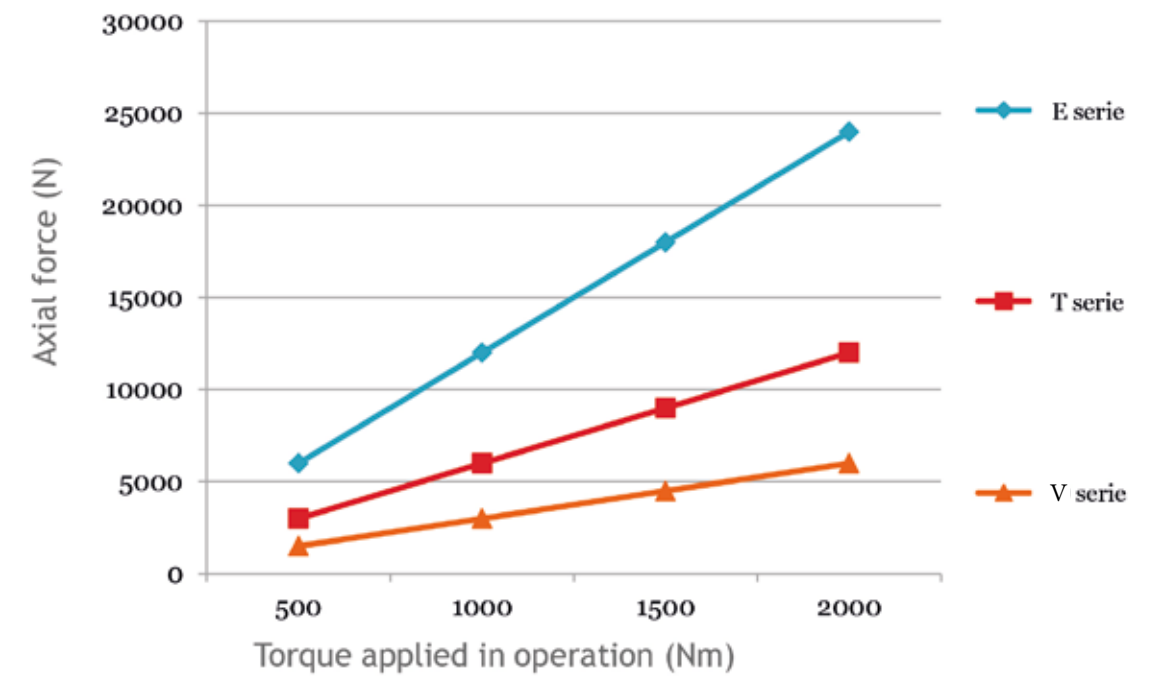
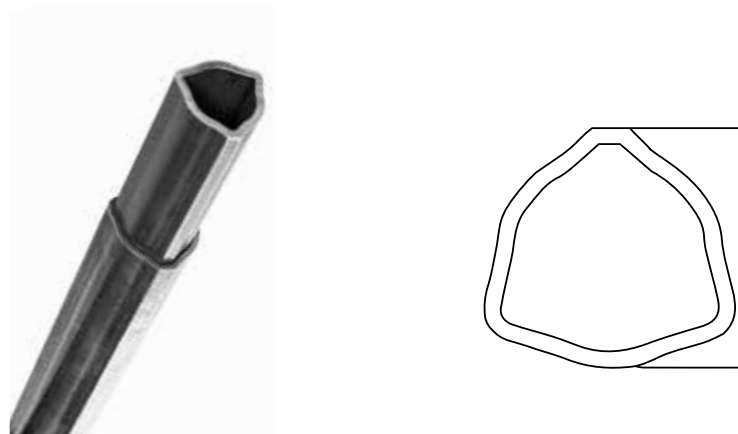
V SERIES – Complete assembly – Performance at 540 and 1000 RPM

Type	540 RPM	1000 RPM
	HP	HP
20	23	36
40	38	58
50	50	77
60	68	105
80	100	154
90	120	190



T SERIES – Complete assembly – Performance at 540 and 1000 RPM

Type	540 RPM	1000 RPM
	HP	HP
10	16	25
20	21	31
40	35	55
50	47	74
60	64	100
80	95	150
90	120	190



AGRICULTURAL YOKES

- B to W agricultural yoke models
- Slide collar, outer yoke and long yoke
- For HS10 and HS20 high-speed PTO models
- Several sizes available
- Left and right side models
- P.T.O. security element



AGRICULTURAL YOKES

SLIDE COLLAR YOKE

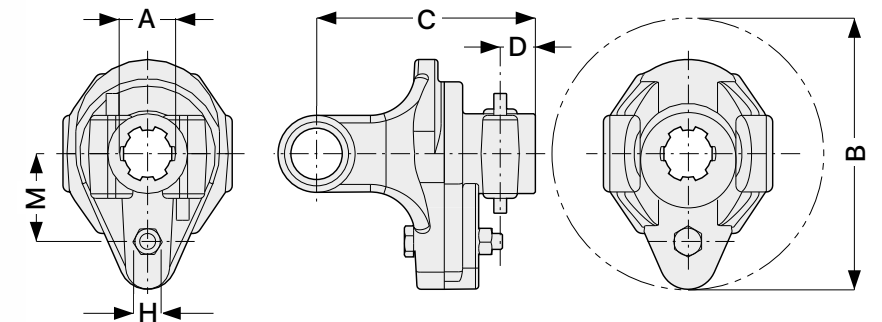
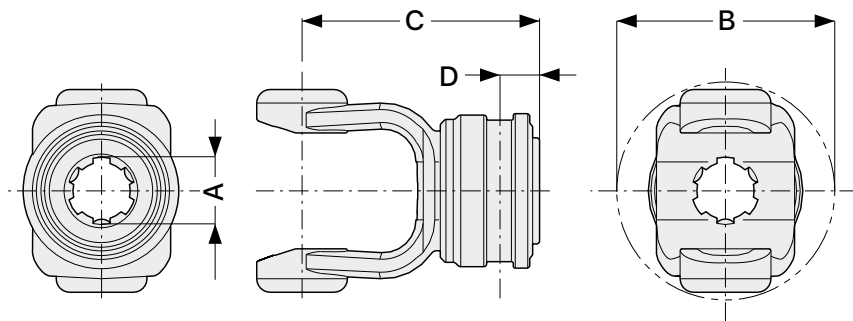
Type	Ref.	A	B	C	D	Supplier code
		in	mm			
10	C12	1 3/8 Z6	73	102	26	141.021.319
	C13	1 3/8 Z21	73	102	26	141.021.320
20	C12	1 3/8 Z6	80	109	26	141.022.324
	C13	1 3/8 Z21	80	109	26	141.022.327
40	C12	1 3/8 Z6	94	111	26	141.024.430
	C13	1 3/8 Z21	94	111	26	141.025.437
50	C12	1 3/8 Z6	100	117	26	141.025.363
	C13	1 3/8 Z21	100	117	26	141.025.364
60	C12	1 3/8 Z6	115	123	26	141.026.544
	C13	1 3/8 Z21	115	123	26	141.026.553
	C17	1 3/4 Z6	115	131	29.5	141.026.554
	C15	1 3/4 Z20	115	131	29.5	141.226.555
80	C12	1 3/8 Z6	132	137	26	141.028.423
	C13	1 3/8 Z21	132	137	26	141.028.426
	C17	1 3/4 Z6	132	142	29.5	141.028.427
	C15	1 3/4 Z20	132	142	29.5	141.028.428
90	C12	1 3/8 Z6	137	144	26	141.029.319
	C13	1 3/8 Z21	137	144	26	141.029.320
	C17	1 3/4 Z6	137	152	29.5	141.029.317
120	C15	1 3/4 Z20	137	152	29.5	141.029.318
	C27	1 3/4 Z6	155	162	45.5	141.220.005
	C25	1 3/4 Z20	155	162	45.5	141.220.001

AGRICULTURAL YOKES

SHEAR BOLT TORQUE LIMITER B (PUSH-PIN VERSION)

Type	A	B	C	D	M	Max. torque	H	Canimex part no.
	in	mm			lb-in	ISO 8.8		
10	1 3/8 Z6	120	95	19	36	5.700	M6x45	111984
	1 3/8 Z21	120	95	19	36	5.700	M6x45	-----
20	1 3/8 Z6	120	97	19	48	7.950	M6x40	112011
	1 3/8 Z21	120	97	19	48	7.950	M6x40	112012
40	1 3/8 Z6	134	118	19	55	15.000	M8x50	112015
	1 3/8 Z21	134	118	19	55	15.000	M8x50	-----
50	1 3/8 Z6	134	118	19	46	18.500	M10x55	112016
	1 3/8 Z21	134	118	19	46	18.500	M10x55	112017
60	1 3/8 Z6	162	137	22	55	22.100	M10x60	112047
	1 3/8 Z21	162	137	22	55	22.100	M10x60	112049
	1 3/4 Z6	162	137	22	55	22.100	M10x60	112048
	1 3/4 Z20	162	137	22	55	22.100	M10x60	130102
80	1 3/8 Z6	162	146	22	57	30.900	M12x65	112067
	1 3/8 Z21	162	146	22	57	30.900	M12x65	112070
	1 3/4 Z6	162	146	22	57	30.900	M12x65	112069
	1 3/4 Z20	162	146	22	57	30.900	M12x65	112072
90	1 3/8 Z6	162	152	22	65	35.400	M12x65	131244
	1 3/8 Z21	162	152	22	65	35.400	M12x65	198118
	1 3/4 Z6	162	152	22	65	35.400	M12x65	132678
	1 3/4 Z20	162	152	22	65	35.400	M12x65	112087

*Also available with interfering bolt

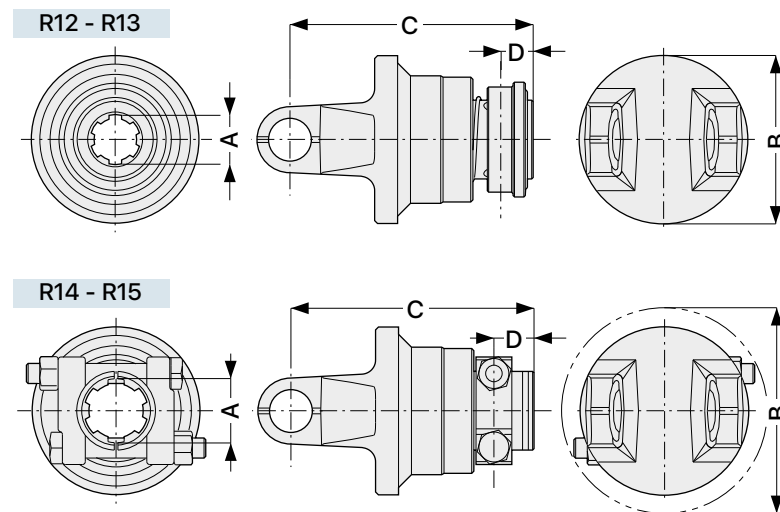


AGRICULTURAL YOKES

OVERRUNNING CLUTCH R

Type	A	B	C	D	Max. torque	Canimex part no.
	in		mm		lb-in	
10	1 3/8 Z6	96	141	26	33.630	202499
	1 3/8 Z21	96	141	26	33.630	-----
20	1 3/8 Z6	96	146	26	33.630	219840
	1 3/8 Z21	96	146	26	33.630	-----
40	1 3/8 Z6	96	157	26	33.630	112021
	1 3/8 Z21	96	157	26	33.630	230941
	1 3/8 Z6	140	157	28	33.630	-----
	1 3/8 Z21	140	157	28	33.630	-----
50	1 3/8 Z6	100	159	26	33.630	112035
	1 3/8 Z21	100	159	26	33.630	174949
	1 3/4 Z6	140	159	28	33.630	-----
	1 3/4 Z20	140	159	28	33.630	-----
60	1 3/8 Z6	115	167	26	33.630	141081
	1 3/8 Z21	115	167	26	33.630	235784
	1 3/4 Z6	140	167	28	33.630	202157
	1 3/4 Z20	140	167	28	33.630	154930
80	1 3/8 Z6	127	176	26	33.630	112076
	1 3/8 Z21	127	176	26	33.630	112077
	1 3/4 Z6	140	176	28	33.630	156300
	1 3/4 Z20	140	176	28	33.630	159560

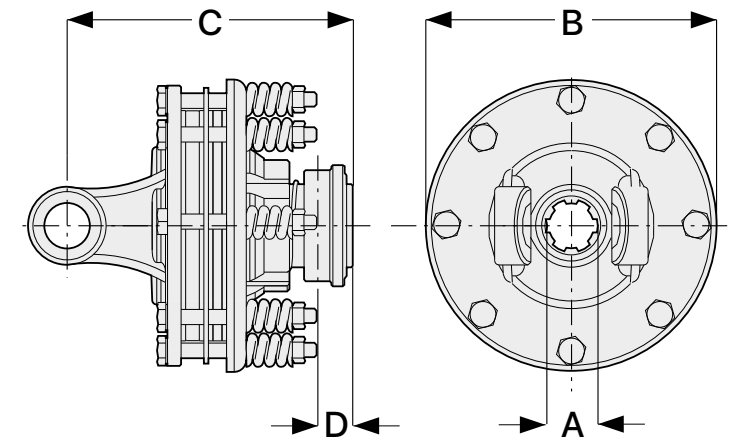
*Minimum order quantity required



AGRICULTURAL YOKES

DISC CLUTCH TORQUE LIMITER RF

Type	A	B	C	D	Max. torque
	in		mm		lb-in
20	1 3/8 Z6	153	120	22	5,750
	1 3/8 Z21	153	120	22	5,750
	1 3/8 Z6	153	144	26	7,950
	1 3/8 Z21	153	144	26	7,950



P.T.O.

P.T.O.

CROSS AND BEARING KITS

- 10 to 90 types
- T, V, and E series models
- Lube cycle of 8 to 100 hours
- High-quality steel for increased strength



CROSS AND BEARING KITS

V-T CVJ SERIES

Type	Height mm	Width mm	Length mm	Supplier code	Canimex part no.
20	74.1	23.8	82.1	180.012.161	111929
40	85.8	27	91.2	180.014.260	111936
60	95.4	30.2	101.4	180.016.228	111945
80	106.3	35	113.8	180.018.158	111951

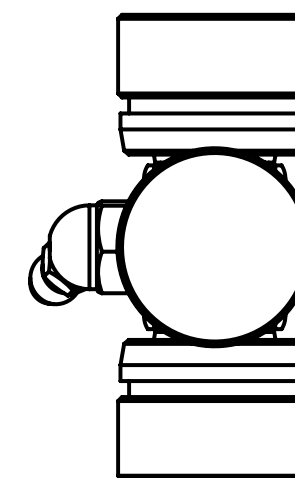
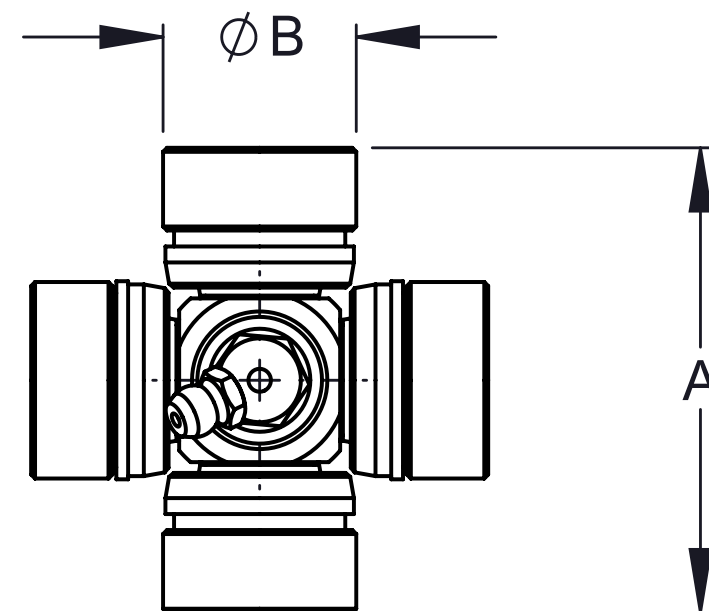


V SERIES

Type	Height A mm	Width B mm	Supplier code	Canimex part no.
20	61.3	23.8	180.012.004	169486
40	74.6	27	180.014.004	111932
50	80	30.2	180.015.004	111938
60	92	30.2	180.016.004	111940
80	106.5	80	180.018.004	111947
90	108	41	180.019.043	155102

T SERIES

Type	Height A mm	Width B mm	Supplier code	Canimex part no.
10	54	22	180.011.130	111926
20	61.3	23.8	180.012.130	111927
40	74.6	27	180.014.130	111934
50	80	30.2	180.015.130	111939
60	92	30.2	180.016.130	111943
80	106.5	35	180.018.130	111950
90	108	41	180.019.130	111954



SAFETY GUARD

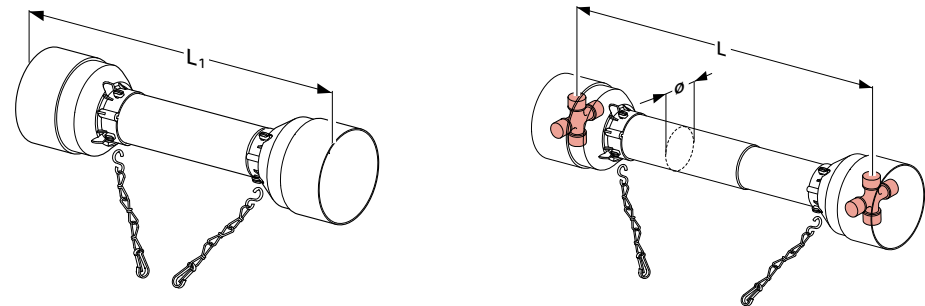
- Inner and outer cones
- Model CE and F cones
- P.T.O. security element
- Lengths from 470 to 1470 mm



SAFETY GUARD

COMPLETE GUARD

Type	10		20		40		50	
L	L ₁	Width Ø	L ₁	Width Ø	L ₁	Width Ø	L ₁	Width Ø
410	470	61	470	61	465	66.5	470	81.2
460	520		520					
510	570		570					
560	620		620					
610	670		670					
660	720		720					
710	770		770					
760	820		820					
810	870		870					
860	920		920					
910	970		970					
1010	1070		1070					
1110	1170		1170					
1210	1270		1270					
1310	1370	1370						
1410	1470	1470						



Type	60		80		90	
L	L ₁	Width Ø	L ₁	Width Ø	L ₁	Width Ø
410	465	81.2	500	96	490	96
460	515		550			
510	565		600			
560	615		650			
610	665		700			
660	715		750			
710	765		800			
760	815		850			
810	865		900			
860	915		950			
910	965		1000			
1010	1065		1100			
1110	1165		1200			
1210	1265		1300			
1310	1365	1400				
1410	1465	1500				

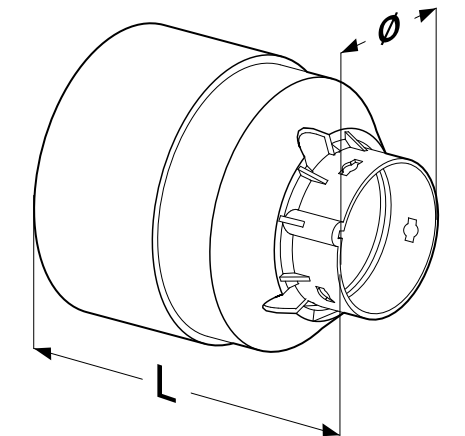
SAFETY GUARD

CONES – OUTER CONE

Model	Version	10		20		40		50		60		80		90	
		L	Ø	L	Ø	L	Ø	L	Ø	L	Ø	L	Ø	L	Ø
CE	Short	76	61	76	61	94	66.5	104	81.2	104	81.2	108	96	108	96
	Standard	140	61	140	61	149	66.5	165	81.2	165	81.2	192	96	192	96
	Long	210	61	210	61	234	66.5	274	81.2	274	81.2	-	-	-	-
F	Short	76	61	76	61	94	66.5	104	81.2	104	81.2	108	96	108	96
	Standard	140	61	140	61	149	66.5	165	81.2	165	81.2	192	96	192	96
	Long	210	61	210	61	234	66.5	274	81.2	274	81.2	-	-	-	-

CONES – INNER CONE

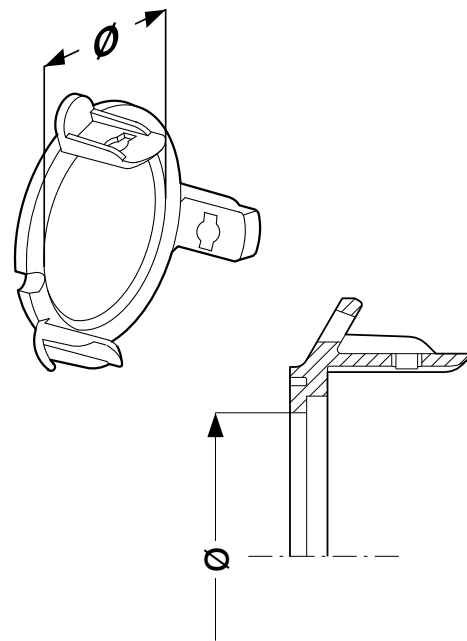
Model	Version	10		20		40		50		60		80		90	
		L	Ø	L	Ø	L	Ø	L	Ø	L	Ø	L	Ø	L	Ø
CE	Short	76	55.6	76	55.6	94	61	104	75	104	75	108	89.9	108	89.9
	Standard	140	55.6	140	55.6	149	61	151	75	159	75	192	89.9	192	89.9
	Long	210	55.6	210	55.6	234	61	274	75	274	75	-	-	-	-
F	Short	76	55.6	76	55.6	94	61	104	75	104	75	108	89.9	108	89.9
	Standard	140	55.6	140	55.6	149	61	151	75	159	75	192	89.9	192	89.9
	Long	210	55.6	210	55.6	234	61	274	75	274	75	-	-	-	-



SAFETY GUARD

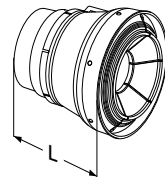
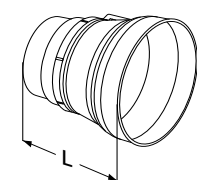
CONES – RETAINING COLLAR

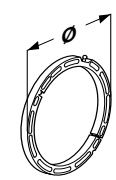
	10	20	40	50	60	80	90
	Diameter (mm)						
Outer diameter	40	46	54	62.5	69	81.5	81.5
Inner diameter	34	40	47	54.5	60	69.5	69.5

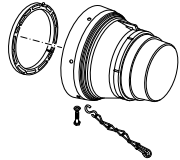



SAFETY GUARD

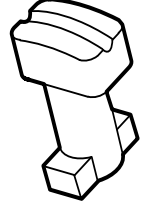
CONES

CONES				
	CE		F	
				
Version	20	40	60	80
	L = 192 mm	L = 235 mm	L = 235 mm	L = 248 mm
CE	180.022.163	180.026.244	180.026.244	180.028.150
F	180.012.163	180.016.244	180.016.244	180.018.150

RETAINING COLLAR			
			
20	40	60	80
Ø = 171 mm	Ø = 187 mm	Ø = 187 mm	Ø = 210 mm
180.012.164	180.016.245	180.016.245	180.018.154

GUARD CONE, BEARING RINGS, SCREWS, CHAIN SET				
				
Version	20	40	60	80
	L = 192 mm	L = 235 mm	L = 235 mm	L = 248 mm
CE	165.000.605	165.000.594	165.000.594	165.000.601
F	165.000.585	165.000.570	165.000.570	165.000.582

SAFETY CHAIN

180.016.025

BOLT

190.000.019

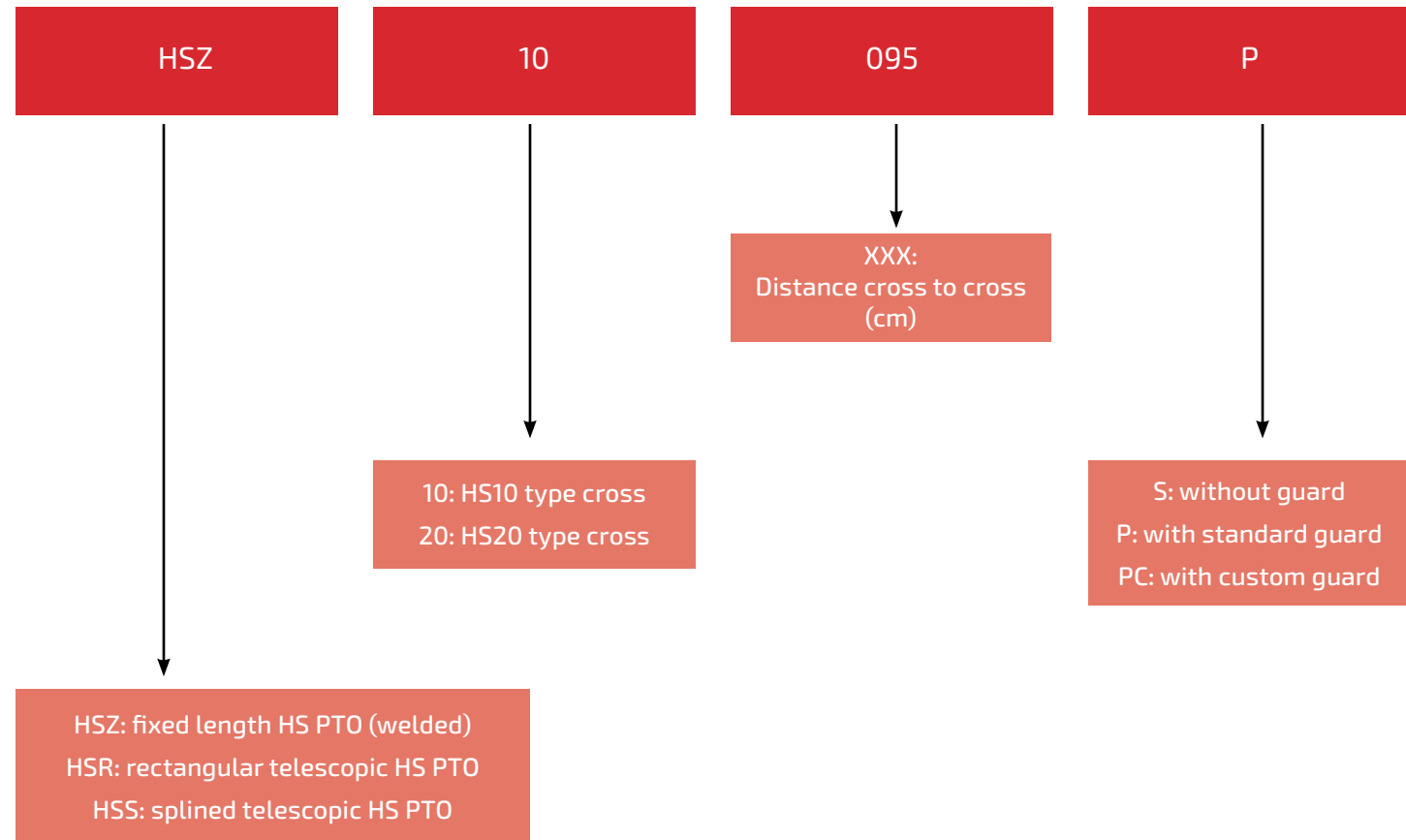
HIGH-SPEED P.T.O.

- Complete assembly
- CNX product
- Dynamically balanced
- Operation speed of up to 2,500 RPM
- Power up to 49 HP
- 50° rotation angle
- HSR10, HSR20 and HSS20 series
- Custom lengths also available (MOQ 25)
- Various applications include snowblowers, mowers and street sweepers



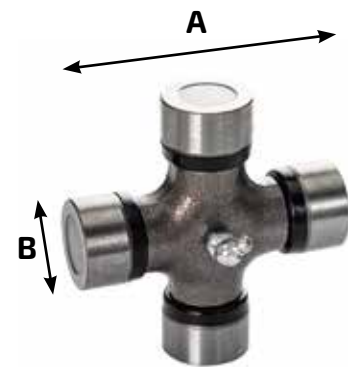
HIGH-SPEED P.T.O.

TECHNICAL SPECIFICATIONS



Cross				
Model	Description	Part no.	A Ø	B Ø
HS10	HS10-CROSS(BRG 19.10 X 48.50)	220932	19.1 mm	48.5 mm
		(P-26453)	0.75"	1.9"
HS20	HS20-CROSS(BRG 24.60 X 58.20)	220933	24.6 mm	58.2 mm
		(P-26454)	0.969"	2.29"

Type	Dynamic			Static			
	Power			Maximum dynamic torque		Maximum torque	
	540 RPM	1000 RPM	2000 RPM	Nm	lb-in	Nm	lb-in
HS10	10 HP	15 HP	24 HP	280	2478	500	4425
HS20	20	30	49	450	3983	1100	9736



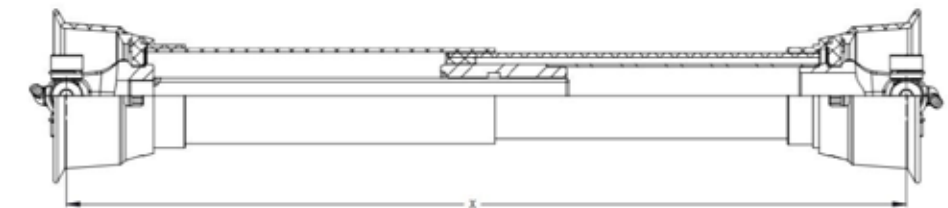
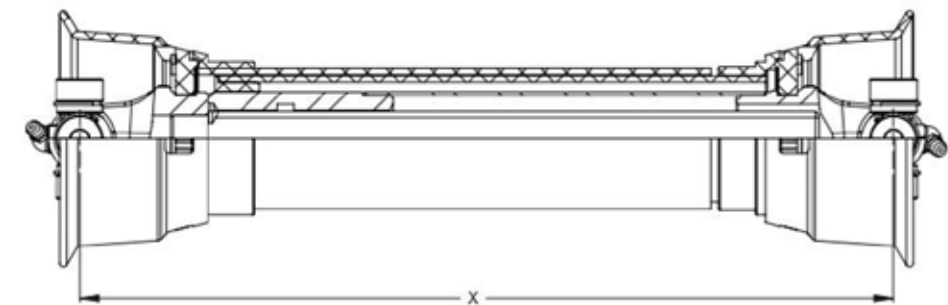
HIGH-SPEED P.T.O.

HSR10 SERIES – COMPLETE ASSEMBLY



Model	Cross to cross length			
	Closed length X		Open length x	
	mm	in	mm	in
HSR10-020P	203	8	258	10.15
HSR10-023P	229	9	309	12.15
HSR10-025P	260	10.25	358	14.08
HSR10-033P	330	13	439	17.3
HSR10-041P	406	16	541	21.28
HSR10-050P	508	20	676	26.598

* A minimum quantity may be required when ordering.



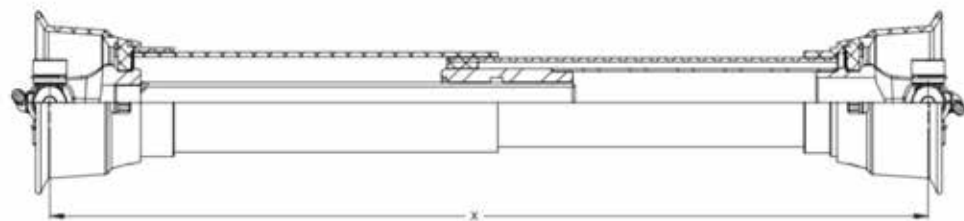
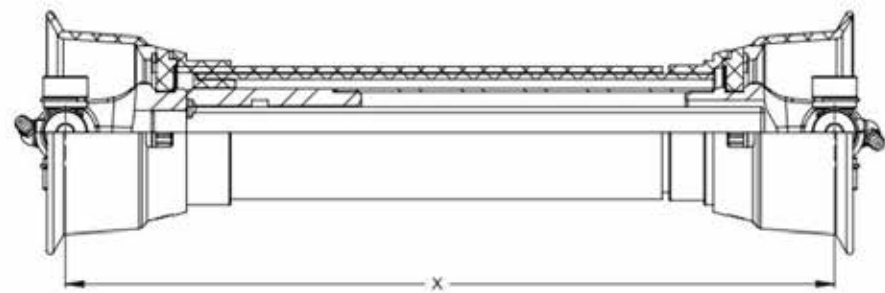
HIGH-SPEED P.T.O.

HSR20 SERIES – COMPLETE ASSEMBLY



Model	Cross to cross length				Applications
	Closed length X		Open length x		
	mm	in	mm	in	
HSR20-020P	210	8.27	256	10.09	Snowblowers Landscaping
HSR20-023P	229	9	300	11.82	
HSR20-025P	260	10.25	350	13.76	
HSR20-033P	330	13	439	17.29	
HSR20-041P	406	16	541	21.28	
HSR20-050P	508	20	676	26.6	

* A minimum quantity may be required when ordering.



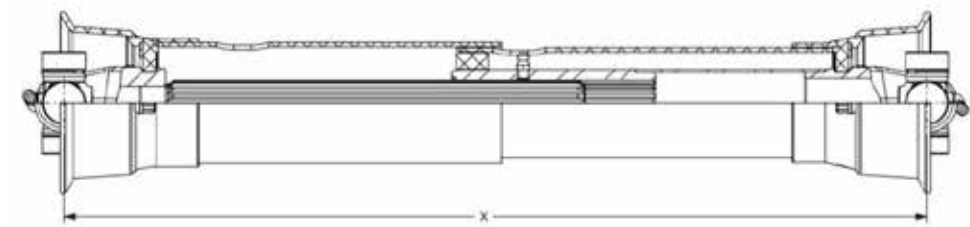
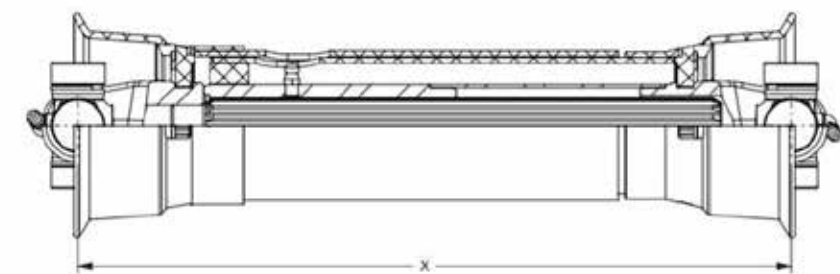
HIGH-SPEED P.T.O.

HSS20 SERIES – COMPLETE ASSEMBLY



Model	Cross to cross length				Applications
	Closed length X		Open length x		
	mm	in	mm	in	
HSS20-020P	210	8.27	256	10.09	Snowblowers Landscaping
HSS20-023P	229	9	300	11.82	
HSS20-025P	260	10.25	350	13.76	
HSS20-033P	330	13	439	17.3	
HSS20-041P	406	16	541	21.28	
HSS20-050P	508	20	676	26.6	

* A minimum quantity may be required when ordering.



P.T.O.

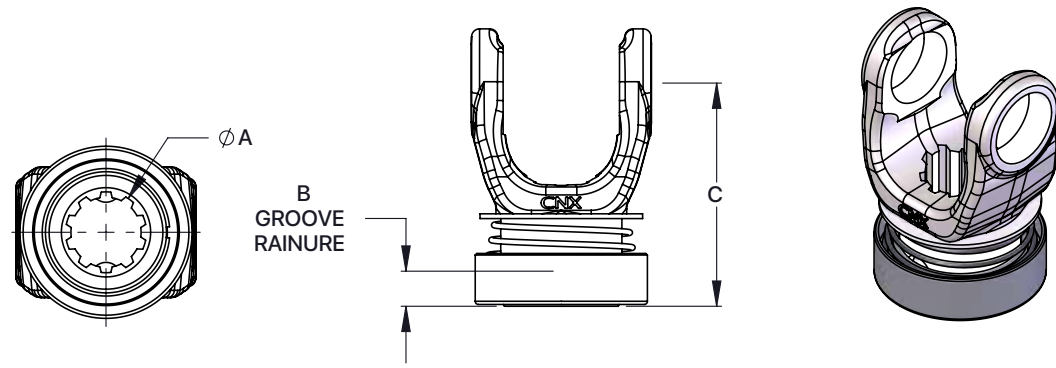
P.T.O.

HIGH-SPEED P.T.O.

YOKES – SLIDE COLLAR



Model	ØA	B	C	Canimex part no.
	in	mm	mm	
HS10	18.75MM Z13	11	67	220939
	1" Z10	11	67	220938
	1" Z15	11	67	220934
HS20	1" Z10	11	70	220942
	1" Z15	11	67	220940
	1 3/8" Z6	25.4	98	220948
	1 3/8" Z21	25.4	98	220950

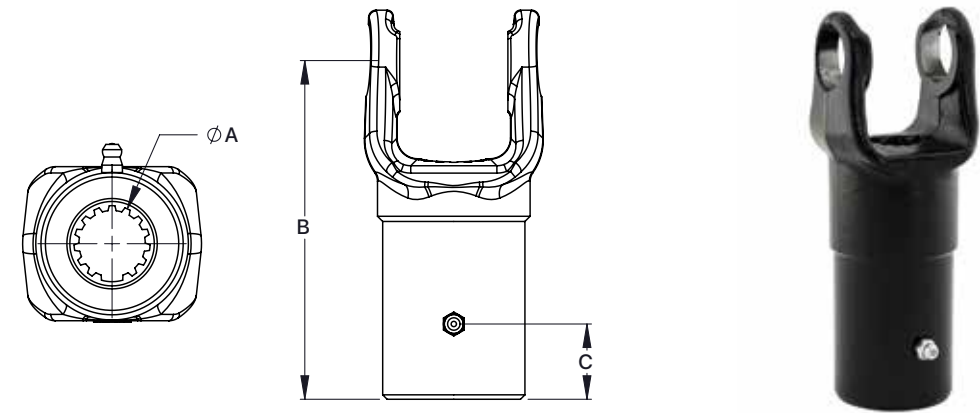


HIGH-SPEED P.T.O.

YOKES – LONG YOKE



Model	ØA	B	C	Canimex part no.
	in	mm	mm	
HS10	1" Z15	115	30	220937
HS20	1" Z15	115	25.4	220947
	1" Z15	138	25.4	229979
	1 3/8" Z6	138	38.1	229980



YOKES – KEYWAY

Model	Description	A	B	C	ØD	E	F	Canimex part no.
		in	mm	mm	mm	mm		
HS10	1" KW 1/4	3/8-16 UNC	6.35	7	25.4	63.5	16	220935
HS20	1" KW 1/4	3/8-16 UNC	6.35	7	25.4	63.5	16	220945
	1 1/8" KW 1/4	3/8-16 UNC	6.35	7	28.6	63.5	16	220946
	1 1/4" KW 1/4	3/8-16 UNC	6.35	7	28.6	63.5	16	220941

